

LINEAR ROTARY MOTORS



10

Series PR01 LinMot Linear Rotary motors can be used to implement any combination of linear and rotary motions. As an innovative design element, the linear-rotary motors can be used to perform

complex tasks, such as threading in, closure, transferring, stacking, aligning, and many others with just a single component.

Profilex
SYSTEMS

Profilex s.a.

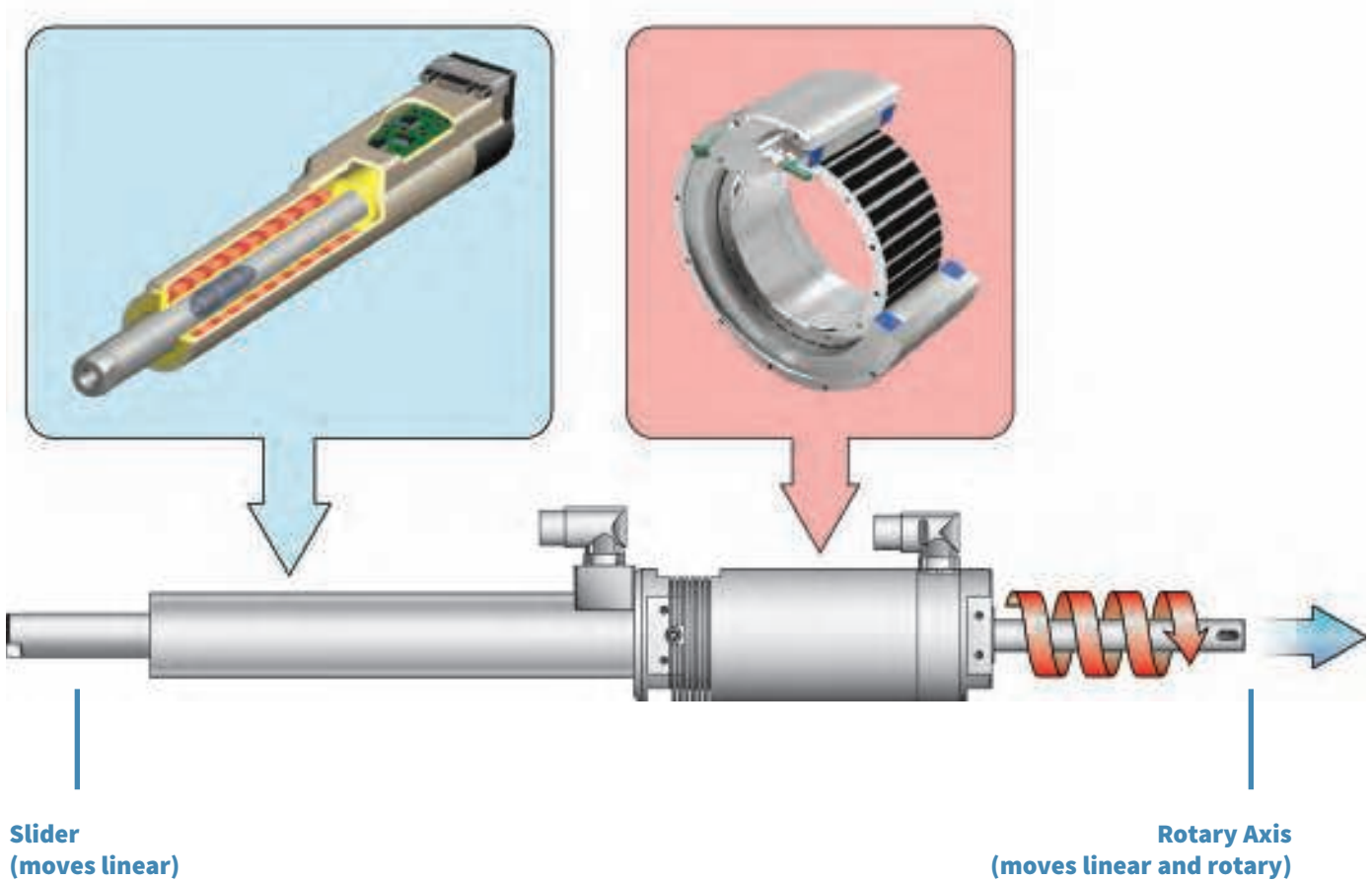
6b, Z.I. In den Allern
L-9911 Troisvierges
Phone LU : +352 99 89 06
Phone BE : +32 28 88 16 29
Fax : +352 26 95 73 73

info@profilex-systems.com
www.profilex-systems.com

Functionality and Construction

Linear Unit

Rotary Unit



The LinMot Linear Rotary Motor is an actuator featuring two axes of movement in a single, compact housing. These axes can be controlled by two servo drives individually and independent of each other. Highly dynamic, freely programmable linear-rotary motion sequences, that can be either synchronous or com-

pletely independent of each other, can be implemented through upper-level controller. Both the linear force (for example press force) or tightening torque can be specified arbitrarily and independently of each other at the same time.

Characteristics

INDEPENDENT LINEAR AND ROTATIVE MOTION

The Linear Rotary Motors are electromagnetic drive units providing decisive flexibility for demanding assignments of tasks. With Linear Rotary Motors is usual manufacturing, requiring linear-rotary motions such as cam plates, gear wheels or more complex mechanics, simplified. This movements are no longer linked trough an cam-shaft but can be independently programmed .

HIGH DYNAMIC

Movement speeds up to 3.9 m/s and rotation speeds up to 1500 rpm allows cyclic motion sequences with high dynamic. For handling applications with sensitive products can be realized soft and jerk-free movements with adjusted, freely programmable acceleration.

PROGRAMMABLE PRESS FORCE AND TORQUE

Since the Linear Rotary Motor is based on a continuous electrical drive concept, it is possible to adjust the press force, speed and torque at any moment. Operator has therefore full flexibility, for example, when different capping applications are coordinated with different products. Torque closure, angle closure, pressing or snap-on closure can be realized easily. The parameters of complex tasks can be monitored or changed continuously during the work process, or from product to product.

SIMPLEST REALIZATION OF CAPPING APPLICATIONS

Product can be easily changed with a mouse click. Furthermore, the cap position at the end of the capping process can be read out in order to detect misaligned seating. Operator continually receives all important parameter feedbacks to reduce the proportion of disruption related downtimes.

PROCESS STABILITY

Da nicht nur die Endpositionen sondern auch Geschwindigkeit und Beschleunigung geregelt und überwacht sind, werden die einmal programmierten Bewegungsabläufe und Prozesse über die gesamte Lebensdauer der Anlage immer identisch gleich ausgeführt. Abweichungen werden sofort erkannt, so dass eine Produktion in gleichbleibender Qualität garantiert werden kann.

Product Family

Series PR01 LinMot Linear Rotary Motors are available in various sizes, that differs in the peak torque of the rotary motors and the forces and stroke lengths of the linear motors. In addition to the standard version, the product family extends to include variants with hollow shafts (eg for pneumatic implementation or an ejector) as well as with stainless steel front

flange and the rotary axis. A further extension of the family are the Linear Rotary Motors with gearbox, available with planetary gear units in three selectable gear ratios enabling higher torque requirements or movements for heavy weights or loads with high moment of inertia.



Linear Rotary Motors Family PR01-52

Compact motor types with a maximal torque of 255 N and a peak torque of 2.2 Nm.



Linear Rotary Motors Family PR01-84

Highest performance class of the Linear Rotary Motors. Linear part reaches a maximum 1024 N thrust force and strong rotary motor generates torques up to 8.9 Nm.



Linear Rotary Motors Stainless Steel Family PR01-84

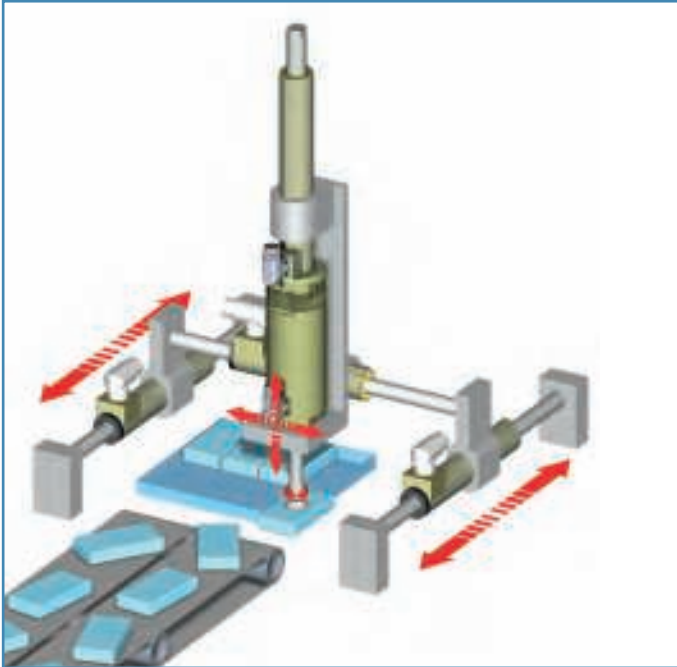
The front area of the high-performance INOX motors consists of a stainless steel flange and a stainless steel shaft. The remaining part of the unit can be shielded by a dividing plate and sealed by the integrated O-ring. Thus there is the possibility to clean the motor during operation. The material is characterized by its resistance against detergents. The stainless steel version of the PR01 motors can be optimally used in the food and chemical sector.



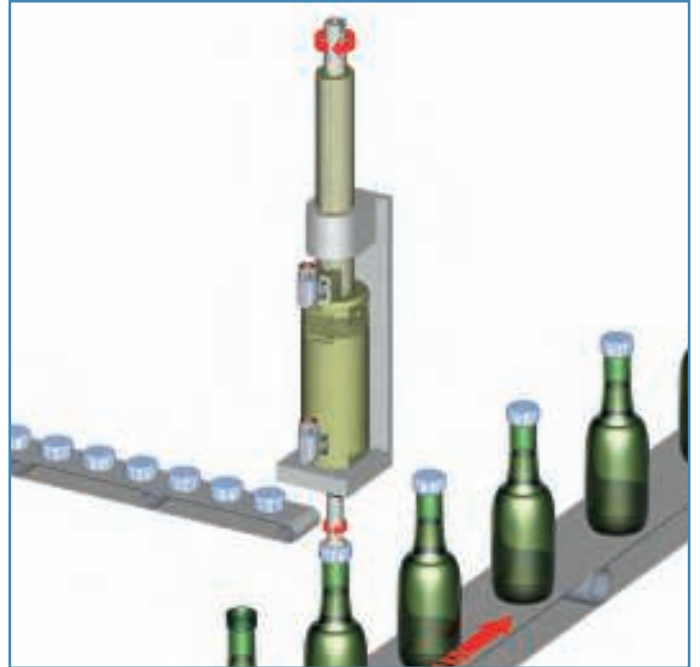
Linear Rotary Motors Gearbox Family PR01-84

Linear Rotary Motors for applications with increased torque requirements up to 89 Nm. The gearbox also allows precise and dynamic positioning, even for loads with high moment of inertia.

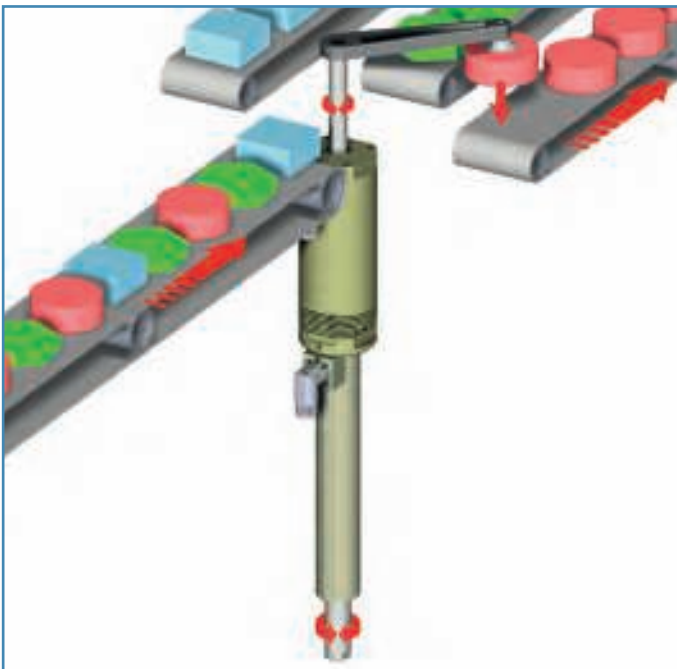
Application Examples



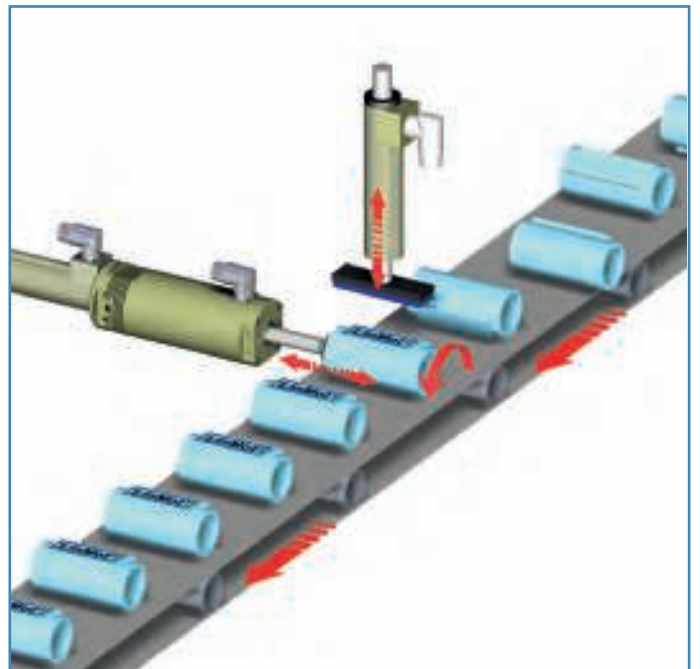
Handling



Capping



Pick & Place



Printing

Application Examples



Carousel Multi-Axis Closure System

LinMot Linear Rotary Motors can now be implemented into compact and effective multi-axis carousel closure system. Motion profiles, speeds, turns, and press forces or tightening torques can be specified arbitrarily and independently of each other.

The motor cables are fixed in position and won't be moved. The reliability and stability of the process is thereby increased significantly. Mechanical closure solutions are being replaced by purely electrical concepts primarily in the packaging and beverage industry.

LINEAR ROTARY MOTORS

PR01-52



- ✓ Direct linear drive
- ✓ Direct rotary drive
- ✓ Independent linear and rotary motions
- ✓ Integrated position sensors
- ✓ Integrated temperature monitoring
- ✓ Programmable motion and position profiles
- ✓ Programmable press force
- ✓ Programmable torque



LinMot
Seri 82-84-8
M.N. 0190-1979
S.N. 2703-84X-013

LinMot
Seri 82-84-8
M.N. 0190-1979
S.N. 1973-84X-044

LinMot
Seri 82-84-8
M.N. 0190-1979
S.N. 1973-84X-044

LinMot
Seri 82-84-8
M.N. 0190-1979
S.N. 1973-84X-044

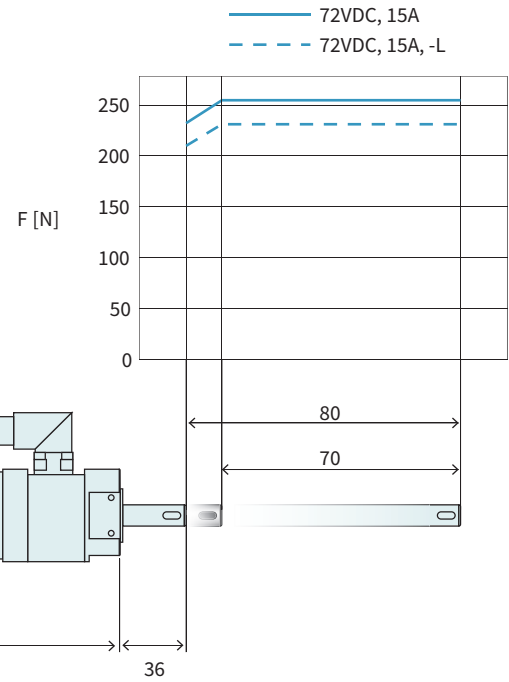
LinMot
Seri 82-84-8
M.N. 0190-1979
S.N. 1973-84X-044

LINEAR ROTARY MOTORS PR01-52

PR01-52x40-R/37x120F-HP-C-80-(L) _____	766
PR01-52x60-R/37x120F-HP-C-100-(L) _____	768
PR01-52x60-R/37x120F-HP-C-150-(L) _____	770
Accessories _____	772

PR01-52x40-R/37x120F-HP-C-80 (-L)

Max. Stroke: 80 mm
Peak Force: 255 N
Peak Torque: 1.53 Nm



Dimensions in mm

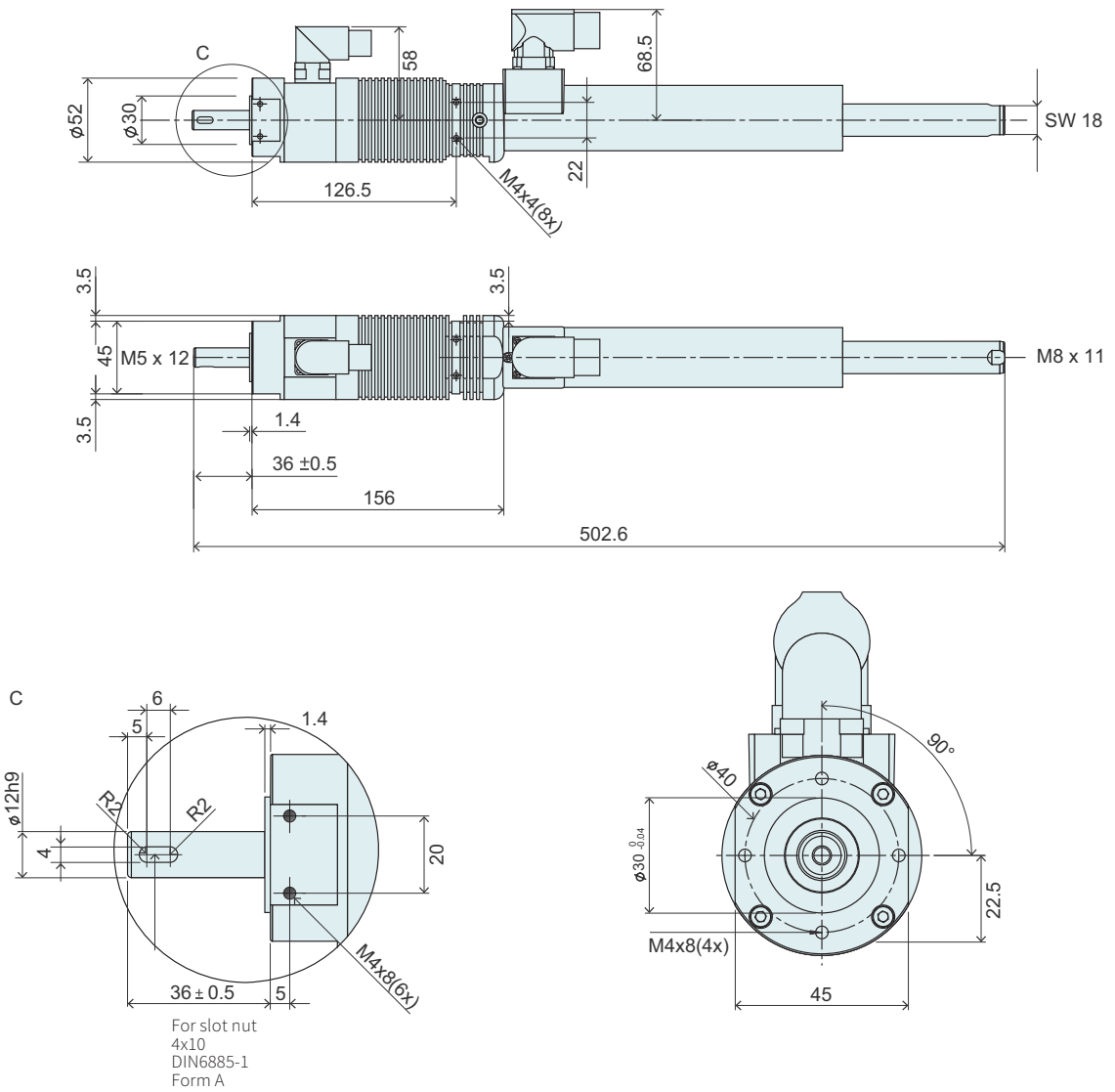
Motor Specifications

PR01-52x40-R/37x120F-HP-C-80 (-L)

		PR01-52x40-R/37x120F-HP-C-80 (-L)	
Linear Motion			
Extended Stroke ES	mm (in)	80 (3.15)	
Standard Stroke SS	mm (in)	70 (2.76)	
Peak Forc E12x0 - UC	N (lbf)	255 (-L 229) (57.3 (-L 51.5))	(-L: hollow Shaft version reduced forces)
Constant Force	N (lbf)	51 (-L 45) (11.5 (-L 10.1))	
Constant Force Fan cooling	N (lbf)	92 (-L 82) (20.7(-L 18.4))	
Force Constant	N/A _{pk} (lbf/A _{pk})	17 (3.8)	
Max. Current @ 72VDC	A _{pk}	15	
Max. Velocity @ 72VDC	m/s (in/s)	3.9 (154)	
Position Repeatability	mm (in)	±0.05 (±0.0020)	
Linearity	%	±0.10	
Rotary Motion			
Peak Torque	Nm (lbf·in)	1.53 (13.54)	
Constant Torque (Halt)	Nm (lbf·in)	0.32 (2.83)	
Max. Number of revolutions	rpm	1500	
Torque Constant 1	Nm/A _{pk} (lbf·in/A _{pk})	0.19 (1.68)	
Torque Constant 2	Nm/A _{rms} (lbf·in/A _{rms})	0.27 (2.39)	
Max. Current @ 72VDC	A _{pk} / A _{rms}	8 / 5.7	
Position Repeatability	°	±0.1	
Mechanical Data			
Overall length	mm (in)	503 (22.48)	
Diameter Linear Unit	mm (in)	37 (1.46)	
Diameter Rotary Unit	mm (in)	52 (2.05)	
Mass	g (lb)	2680 (5.91)	
Linear Moving mass	g (lb)	790 (1.74)	
Rotary Torque of Inertia	kgcm ² (lbF ²)	0.22 (0.00052)	
Axle Diameter	mm (in)	12h9 (0.47)	
Through bore-hole		-L Option Hole diameter 2.5 mm Connection (front) M5, connection (back) 1/8" x 5	
Protection Class		IP64	

Note: hollow Shaft variants have 10% reduced forces

DIMENSIONS

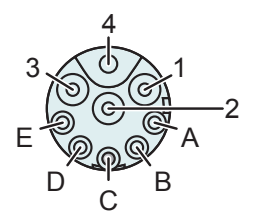
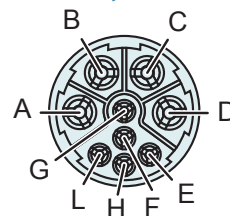


Dimensions in mm

CONNECTORS

Motor Connector Wiring	Linear Unit: C-Connector	Rotary Unit: R-Connector	Wire Color Motor Cable
Ph 1+	A	1	red
Ph 1-	B	2	pink
Ph 2+	C	3	blue
Ph 2-	D	4	grey
+5VDC	E	A	white
GND	F	B	inner shield
Sin	G	C	yellow
Cos	H	D	green
Temp.	L	E	black
Shield	Housing	Housing	outer Shield

C-Connector



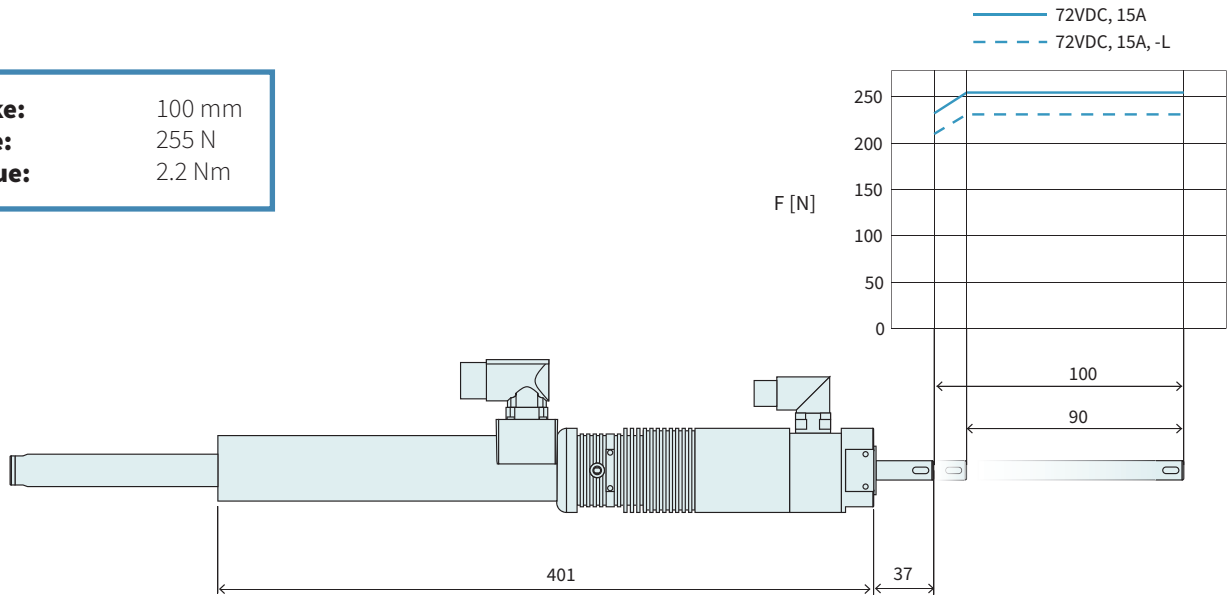
R-Connector

View: Motor connector, plug on

Item	Description	Item-No.
PR01-52x40-R/37x120F-HP-C-80	Linear Rotary Motor	0150-1573
PR01-52x40-R/37x120F-HP-C-80-L	Linear Rotary Motor with hollow Shaft	0150-2703

PR01-52x60-R/37x120F-HP-C-100 (-L)

Max. Stroke: 100 mm
Peak Force: 255 N
Peak Torque: 2.2 Nm



Dimensions in mm

Motor Specifications

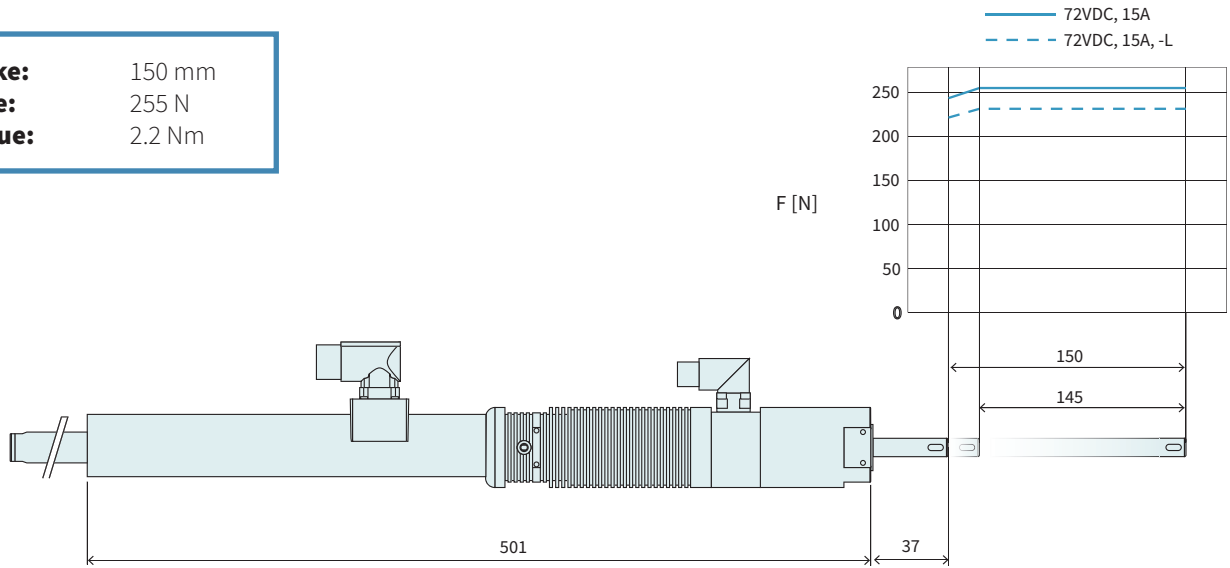
PR01-52x60-R/37x120F-HP-C-100 (-L)

		PR01-52x60-R/37x120F-HP-C-100 (-L)	
Linear Motion			
Extended Stroke ES	mm (in)	100 (3.94)	
Standard Stroke SS	mm (in)	90 (3.54)	
Peak Forc E12x0 - UC	N (lbf)	255 (-L 229) (57.3 (-L 51.5))	(-L: hollow Shaft version reduced forces)
Constant Force	N (lbf)	51 (-L 45) (11.5 (-L 10.1))	
Constant Force Fan cooling	N (lbf)	92 (-L 82) (20.7(-L 18.4))	
Force Constant	N/A _{pk} (lbf/A _{pk})	17 (3.8)	
Max. Current @ 72VDC	A _{pk}	15	
Max. Velocity @ 72VDC	m/s (in/s)	3.9 (154)	
Position Repeatability	mm (in)	±0.05 (±0.0020)	
Linearity	%	±0.10	
Rotary Motion			
Peak Torque	Nm (lbf·in)	2.2 (19.5)	
Constant Torque (Halt)	Nm (lbf·in)	0.47 (4.2)	
Max. Number of revolutions	rpm	1500	
Torque Constant 1	Nm/A _{pk} (lbf·in/A _{pk})	0.16 (1.42)	
Torque Constant 2	Nm/A _{rms} (lbf·in/A _{rms})	0.23 (2.04)	
Max. Current @ 72VDC	A _{pk} / A _{rms}	13.5 / 9.55	
Position Repeatability	°	±0.1	
Mechanical Data			
Overall length	mm (in)	565 (22.24)	
Diameter Linear Unit	mm (in)	37 (1.46)	
Diameter Rotary Unit	mm (in)	52 (2.05)	
Mass	g (lb)	3120 (6.88)	
Linear Moving mass	g (lb)	860 (1.9)	
Rotary Torque of Inertia	kgcm ² (lbf·in ²)	0.26 (0.00062)	
Axle Diameter	mm (in)	12h9 (0.47)	
Through bore-hole		-L Option Hole diameter 2.5 mm Connection (front) M5, connection (back) 1/8" x 5	
Protection Class		IP64	

Note: hollow Shaft variants have 10% reduced forces

PR01-52x60-R/37x120F-HP-C-150 (-L)

Max. Stroke: 150 mm
Peak Force: 255 N
Peak Torque: 2.2 Nm



Dimensions in mm

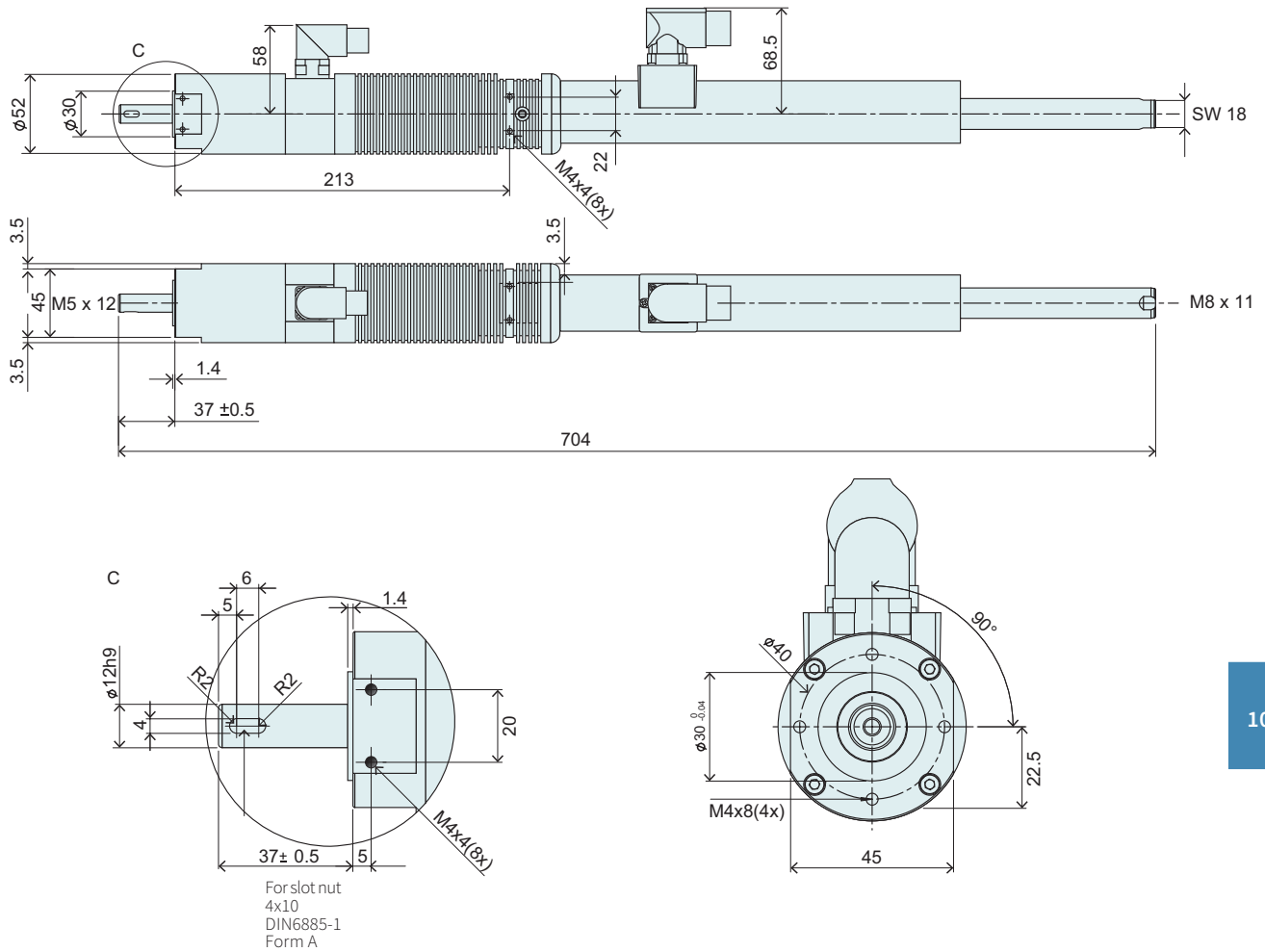
Motor Specifications

PR01-52x60-R/37x120F-HP-C-150 (-L)

		PR01-52x60-R/37x120F-HP-C-150 (-L)	
Linear Motion			
Extended Stroke ES	mm (in)	150 (5.91)	
Standard Stroke SS	mm (in)	145 (5.71)	
Peak Forc E12x0 - UC	N (lbf)	255 (-L 229)	(57.3 (-L 51.5)) (-L: hollow Shaft version reduced forces)
Constant Force	N (lbf)	51 (-L 45)	(11.5 (-L 10.1))
Constant Force Fan cooling	N (lbf)	92 (-L 82)	(20.7(-L 18.4))
Force Constant	N/A _{pk} (lbf/A _{pk})	17	(3.8)
Max. Current @ 72VDC	A _{pk}	15	
Max. Velocity @ 72VDC	m/s (in/s)	3.9	(154)
Position Repeatability	mm (in)	±0.05	(±0.0020)
Linearity	%	±0.10	
Rotary Motion			
Peak Torque	Nm (lbf·in)	2.2	(19.5)
Constant Torque (Halt)	Nm (lbf·in)	0.47	(4.2)
Max. Number of revolutions	rpm	1500	
Torque Constant 1	Nm/A _{pk} (lbf·in/A _{pk})	0.16	(1.42)
Torque Constant 2	Nm/A _{rms} (lbf·in/A _{rms})	0.23	(2.04)
Max. Current @ 72VDC	A _{pk} / A _{rms}	13.5 / 9.55	
Position Repeatability	°	±0.1	
Mechanical Data			
Overall length	mm (in)	704	(27.72)
Diameter Linear Unit	mm (in)	37	(1.46)
Diameter Rotary Unit	mm (in)	52	(2.05)
Mass	g (lb)	3700	(8.16)
Linear Moving mass	g (lb)	950	(2.09)
Rotary Torque of Inertia	kgcm ² (lbF)	0.31	(0.00074)
Axle Diameter	mm (in)	12h9	(0.47)
Through bore-hole		-L Option	Hole diameter 2.5 mm Connection (front) M5, connection (back) 1/8" x 5
Protection Class			IP64

Note: hollow Shaft variants have 10% reduced forces

DIMENSIONS

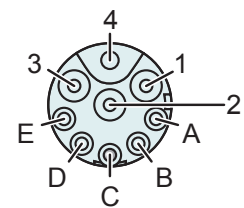
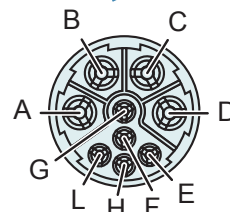


Dimensions in mm

CONNECTORS

Motor Connector Wiring	Linear Unit: C-Connector	Rotary Unit: R-Connector	Wire Color Motor Cable
Ph 1+	A	1	red
Ph 1-	B	2	pink
Ph 2+	C	3	blue
Ph 2-	D	4	grey
+5VDC	E	A	white
GND	F	B	inner shield
Sin	G	C	yellow
Cos	H	D	green
Temp.	L	E	black
Shield	Housing	Housing	outer Shield

C-Connector



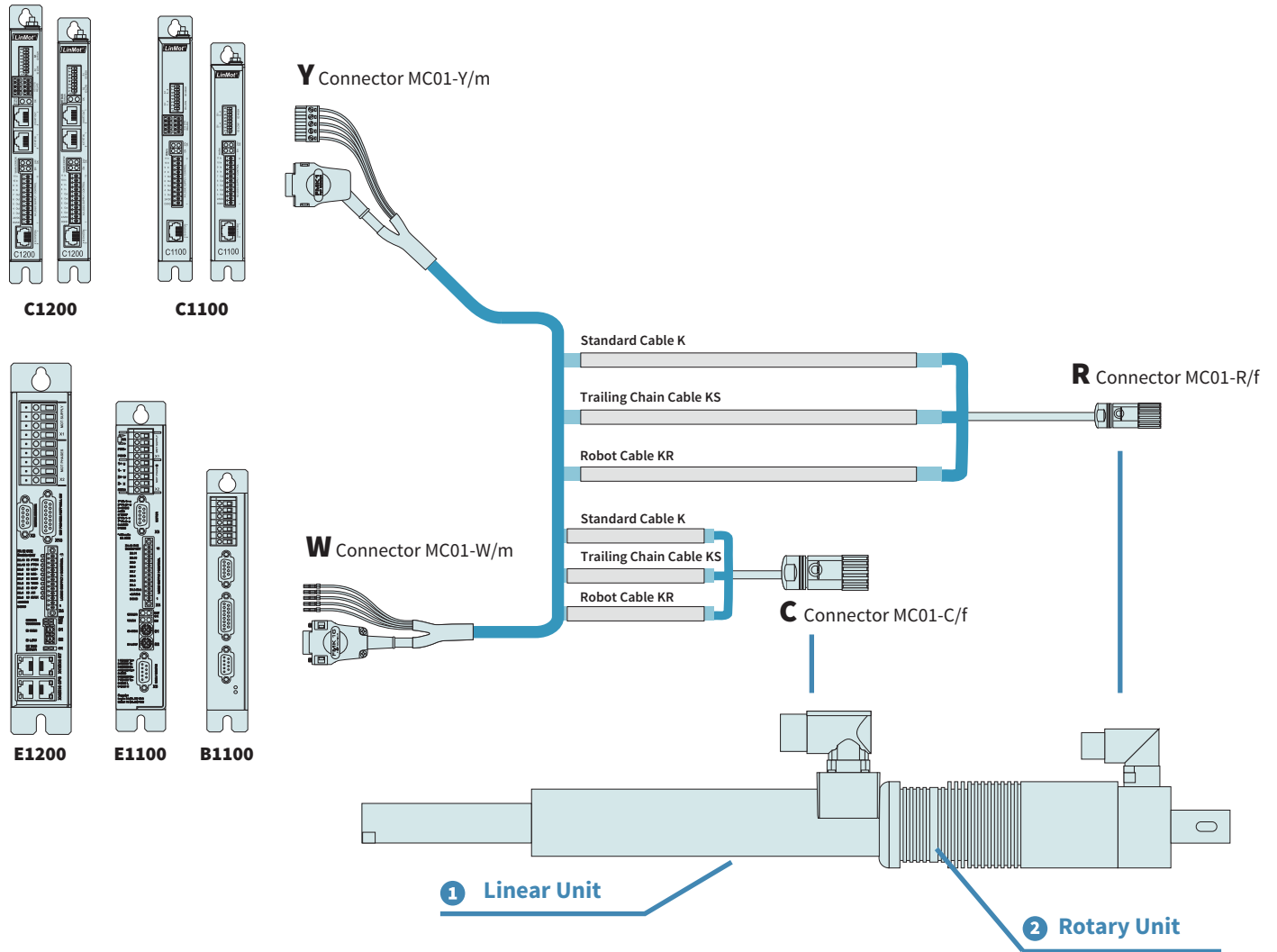
R-Connector

View: Motor connector, plug on

Item	Description	Item-No.
PR01-52x60-R/37x120F-HP-C-150	Linear Rotary Motor	0150-2705
PR01-52x60-R/37x120F-HP-C-150-L	Linear Rotary Motor with hollow Shaft	0150-2706

Accessories

MOTOR CABLE



10

ORDERING INFORMATION

1 Linear Unit

Standard Cable		
Item	Description	Item-No.
K05-W/C-2	Motor Cable W/C, 2 m	0150-2123
K05-W/C-4	Motor Cable W/C, 4 m	0150-2124
K05-W/C-6	Motor Cable W/C, 6 m	0150-2125
K05-W/C-8	Motor Cable W/C, 8 m	0150-2126
K05-W/C-	Motor Cable W/C, Custom length	0150-3263

K05-Y/C-2	Motor Cable Y/C, 2 m	0150-2425
K05-Y/C-4	Motor Cable Y/C, 4 m	0150-2426
K05-Y/C-6	Motor Cable Y/C, 6 m	0150-2427
K05-Y/C-8	Motor Cable Y/C, 8 m	0150-2428
K05-Y-Fe/C-	Motor Cable Y-Fe/C, Custom length	0150-3502

Robot Cable		
Item	Description	Item-No.
KR05-Y-Fe/C-	Robot Cable KR05-Y-Fe/C-, Custom length	0150-3513

Trailing Chain Cable		
Item	Description	Item-No.
KS05-W/C-4	Trailing Chain Cable W/C, 4 m	0150-2127
KS05-W/C-6	Trailing Chain Cable W/C, 6 m	0150-2128
KS05-W/C-8	Trailing Chain Cable W/C, 8 m	0150-2129
KS05-W/C-	Trailing Chain Cable W/C, Custom length	0150-3204

KS05-Y/C-4	Trailing Chain Cable Y/C, 4 m	0150-2436
KS05-Y/C-6	Trailing Chain Cable Y/C, 6 m	0150-2437
KS05-Y/C-8	Trailing Chain Cable Y/C, 8 m	0150-2438
KS05-Y-Fe/C-	Trailing Chain Cable Y/C, Custom length	0150-3508

Connector & Cable (individual)		
Item	Description	Item-No.
MC01-C/f	Motor connector C/f	0150-3080
MC01-W/m	Motor connector W/m	0150-3140
MC01-Y-Fe/m	Motor connector Y-Fe/m	0150-3289
K05-04/05	Motor Cable per m	0150-1920
KS05-04/05	Trailing Chain Cable per m	0150-1938
KR05-04/05	Robot Cable per m	0150-1846

2 Rotary Unit

Standard Cable		
Item	Description	Item-No.
K05-W/R-2	Motor Cable W/R, 2 m	0150-2119
K05-W/R-4	Motor Cable W/R, 4 m	0150-2120
K05-W/R-6	Motor Cable W/R, 6 m	0150-2121
K05-W/R-8	Motor Cable W/R, 8 m	0150-2122
K05-W/R-	Motor Cable K05-W/R, Custom length	0150-3262

K05-Y/R-2	Motor Cable Y/R, 2 m	0150-2421
K05-Y/R-4	Motor Cable Y/R, 4 m	0150-2422
K05-Y/R-6	Motor Cable Y/R, 6 m	0150-2423
K05-Y/R-8	Motor Cable Y/R, 8 m	0150-2424
K05-Y-Fe/R-	Motor Cable K05-Y-Fe/R, Custom length	0150-3501

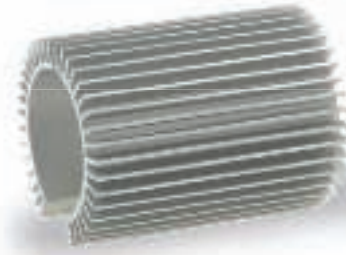
Robot Cable		
Item	Description	Item-No.
KR05-W/R-	Robot Cable KR05-W/R, Custom length	0150-3336
KR05-Y-Fe/R-	Robot Cable KR05-Y-Fe/R, Custom length	0150-3512

Trailing Chain Cable		
Item	Description	Item-No.
KS05-W/R-4	Trailing Chain Cable W/R, 4 m	0150-2106
KS05-W/R-6	Trailing Chain Cable W/R, 6 m	0150-2131
KS05-W/R-8	Trailing Chain Cable W/R, 8 m	0150-2107
KS05-W/R-	Trailing Chain Cable KS05-W/R, Overall length	0150-3256

KS05-Y/R-4	Trailing Chain Cable Y/R, 4 m	0150-2433
KS05-Y/R-6	Trailing Chain Cable Y/R, 6 m	0150-2434
KS05-Y/R-8	Trailing Chain Cable Y/R, 8 m	0150-2435
KS05-Y-Fe/R-	Trailing Chain Cable KS05-Y-Fe/R, Custom length	0150-3507

Connector & Cable (individual)		
Item	Description	Item-No.
MC01-R/f	Motor cable R/f	0150-3129
MC01-W/m	Motor cable W/m	0150-3140
MC01-Y-Fe/m	Motor cable Y-Fe/m	0150-3289
K05-04/05	Motor Cable per m	0150-1920
KS05-04/05	Trailing Chain Cable per m	0150-1938
KR05-04/05	Robot Cable per m	0150-1846

COOLING PROFILE



Item	Description	Item-No.
PC01-37x68	Cooling profile for PS01-37 Linear Motor	0160-2131

FLANGE



Item	Description	Item-No.
PF02-37x100	Flange 37x100 mm	0150-1998
PF02-37x140	Flange 37x140 mm	0150-2105

FAN COOLING FOR LINEAR UNIT



Item	Description	Item-No.
HV01-37/48	Fan cooling for H01-37/48 & PF02-37/48	0150-5051

10

FAN COOLING FOR ROTARY UNIT



Item	Description	Item-No.
RS01-VA52-Kit	Fan Kit for RS01-52 Linear Rotary Motor	0150-1599

MOUNTING FLANGE



Item	Description	Item-No.
MF01-PR01-52x40-20	Mounting Flange MS01-20-140	0250-2322
MF01-PR01-52x40-37	Mounting Flange MS01-37-155	0250-2319

MAGSPRING ADAPTER



Item	Description	Item-No.
MA01-PR01-52-37/20	MagSpring Adapter for Linear Rotary Motors	0250-0128

BRAKE KIT



Item	Description	Item-No.
MF01-BK52	Brake Kit for PR01-52 Linear Rotary Motor	0250-2344

SHAFT-HUB CLAMPING



Item	Description	Item-No.
RS01-SS12x22	Shaft-hub clamping for 12 mm shaft	0230-0101

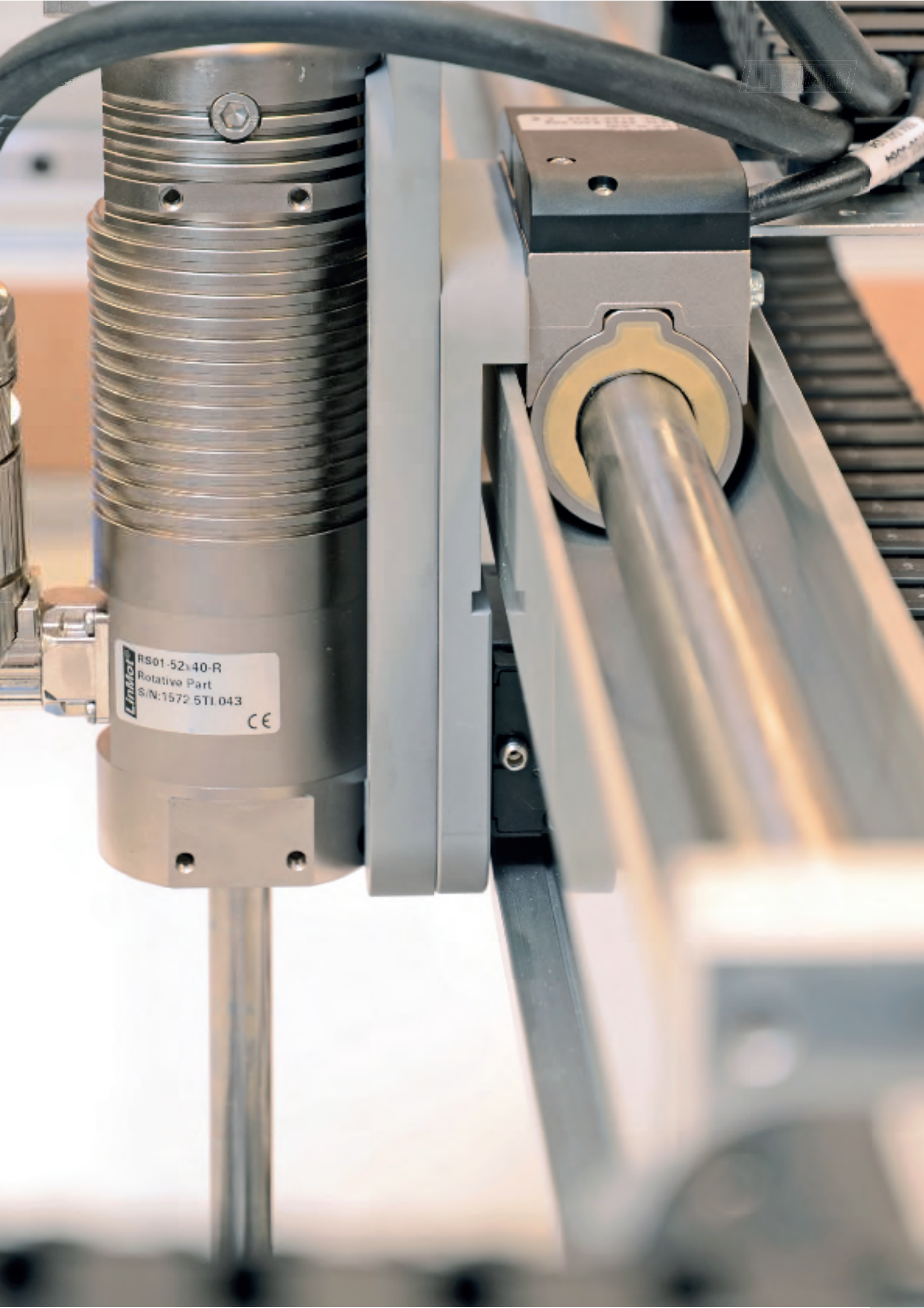
10

LINEAR ROTARY MOTORS

PR01-84



- ✓ Direct linear drive
- ✓ Direct rotary drive
- ✓ Independent linear and rotary motions
- ✓ Integrated position sensors
- ✓ Integrated temperature monitoring
- ✓ Programmable motion and position profiles
- ✓ Programmable press force
- ✓ Programmable torque



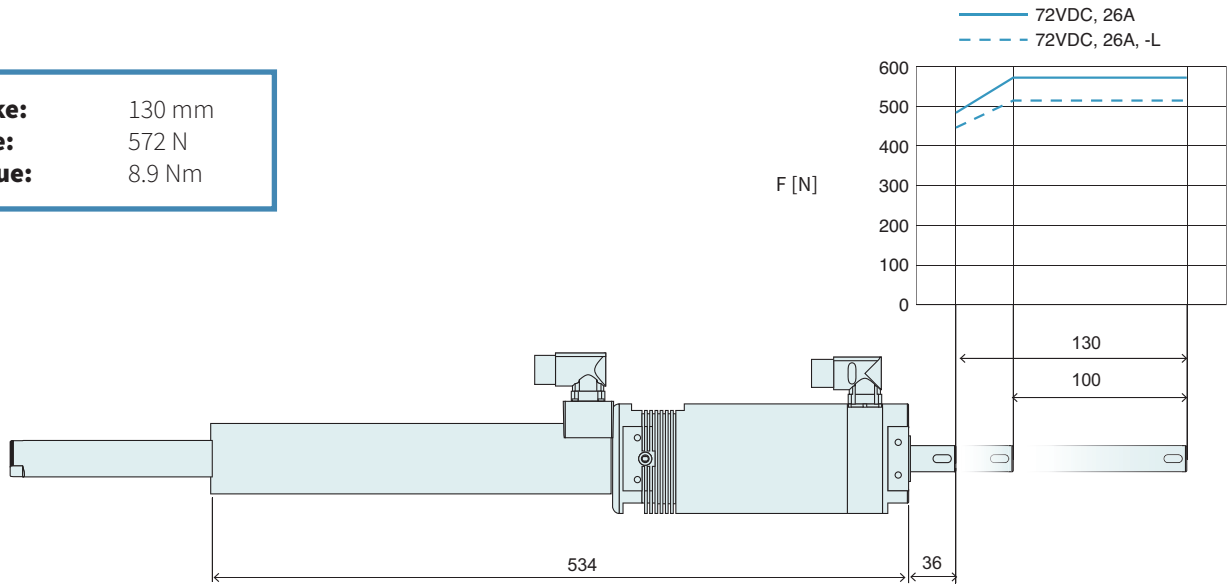
LinMot
RS01-52x40-R
Rotative Part
S/N: 1572 5T1.043
CE

LINEAR ROTARY MOTORS PR01-84

PR01-84x80-C/48x240F-C-100-(L) _____	780
PR01-84x80-C/48x240F-C-150-(L) _____	782
PR01-84x80-C/48x360F-C-100-(L) _____	784
PR01-84x80-C/48x360F-C-150-(L) _____	786
PR01-84x80-C/48x240F-C-300-(L) _____	788
Accessories _____	790

PR01-84x80-C/48x240F-C-100 (-L)

Max. Stroke: 130 mm
Peak Force: 572 N
Peak Torque: 8.9 Nm



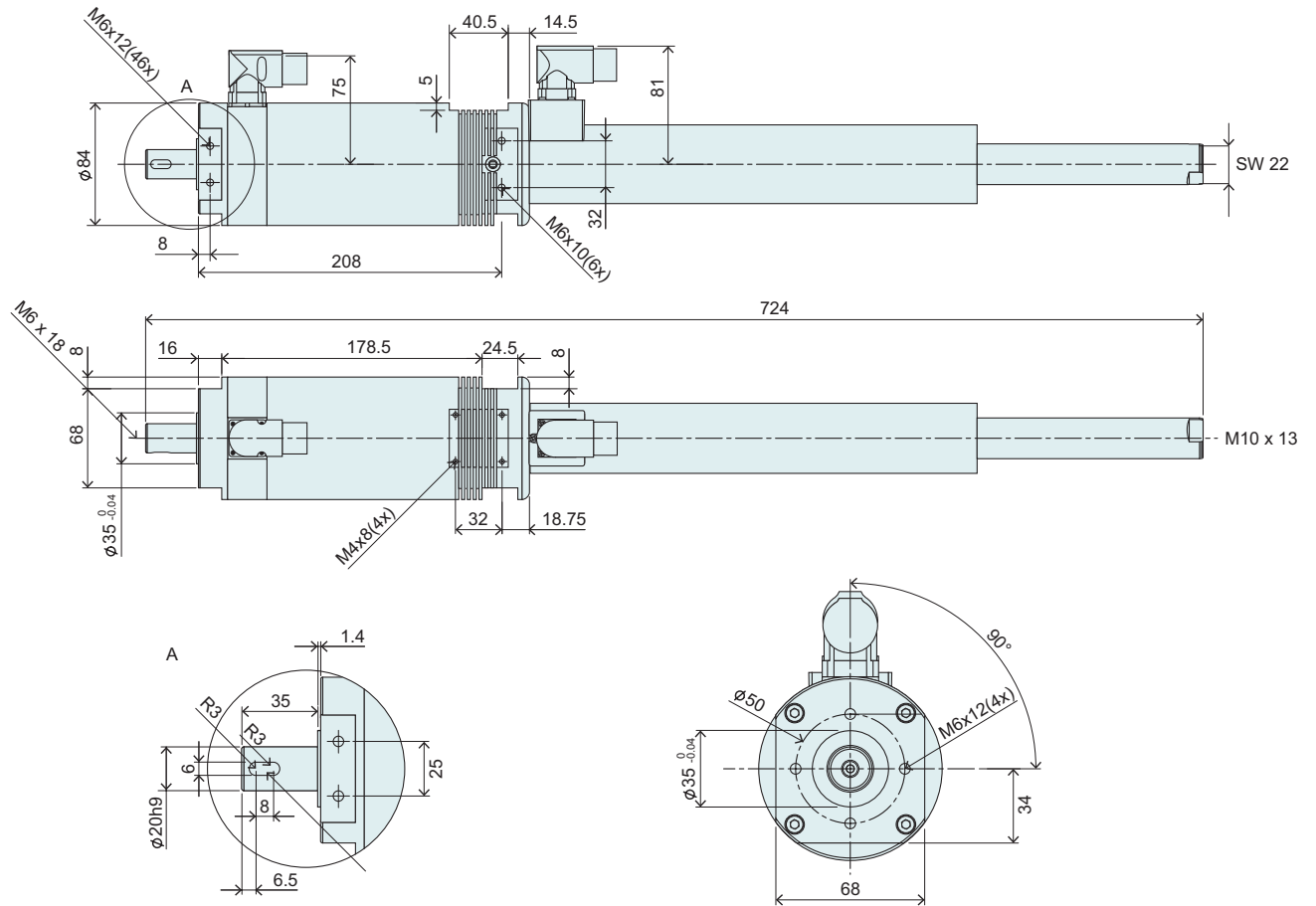
Dimensions in mm

Motor Specifications

		PR01-84x80-C/48x240F-C-100 (-L)	
Linear Motion			
Extended Stroke ES	mm (in)	130	(5.12)
Standard Stroke SS	mm (in)	100	(3.94)
Peak Forc E12x0 - UC	N (lbf)	572 (-L 514)	(128.6 (-L 115.6))
Constant Force	N (lbf)	145 (-L 130)	(74.2 (-L 29.2))
Constant Force Fan cooling	N (lbf)	255 (-L 230)	(58.0 (-L 51.7))
Force Constant	N/A _{pk} (lbf/A _{pk})	22	(5.0)
Max. Current @ 72VDC	A _{pk}	26	
Max. Velocity @ 72VDC	m/s (in/s)	3	(118)
Position Repeatability	mm (in)	±0.05	(±0.0020)
Linearity	%	±0.15	
Rotary Motion			
Peak Torque	Nm (lbf·in)	8.9	(78.8)
Constant Torque (Halt)	Nm (lbf·in)	1.9	(16.8)
Max. Number of revolutions	rpm	1000	
Torque Constant 1	Nm/A _{pk} (lbf·in/A _{pk})	0.36	(3.19)
Torque Constant 2	Nm/A _{rms} (lbf·in/A _{rms})	0.5035	(4.46)
Max. Current @ 72VDC	A _{pk} / A _{rms}	25 / 17.68	
Position Repeatability	°	±0.05	
Mechanical Data			
Overall length	mm (in)	724	(28.52)
Diameter Linear Unit	mm (in)	48	(1.89)
Diameter Rotary Unit	mm (in)	84	(3.31)
Mass	g (lb)	8850	(19.51)
Linear Moving mass	g (lb)	2450	(5.4)
Rotary Torque of Inertia	kgcm ² (lbft ²)	2	(0.0047)
Axle Diameter	mm (in)	20h9	(0.79)
Through bore-hole		-L Option	Hole diameter 4 mm, connection (front) 1/8" x 7, connection (back) 1/4" x 8
Protection Class			IP64

Note: hollow Shaft variants have 10% reduced forces

DIMENSIONS

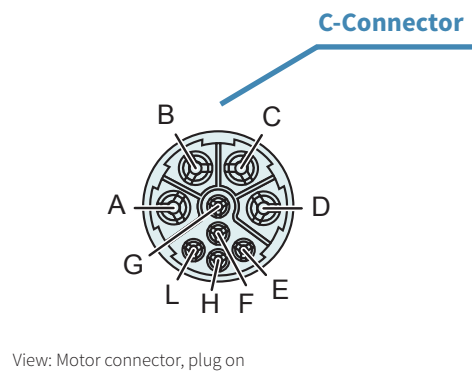


For fit-in key 6x14
DIN6885 -1 Form A

Dimensions in mm

CONNECTORS

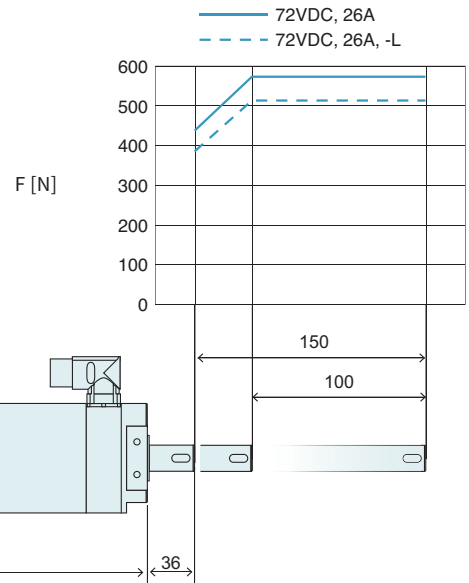
Motor Connector Wiring	Linear Unit: C-Connector	Rotary Unit: C-Connector	Wire Color Motor Cable
Ph 1+	A	A	red
Ph 1-	B	B	pink
Ph 2+	C	C	blue
Ph 2-	D	D	grey
+5VDC	E	E	white
GND	F	F	inner shield
Sin	G	G	yellow
Cos	H	H	green
Temp.	L	L	black
Shield	Housing	Housing	outer Shield



Item	Description	Item-No.
PR01-84x80-C/48x240F-C-100	Linear Rotary Motor	0150-1194
PR01-84x80-C/48x240F-C-100-L	Linear Rotary Motor with hollow Shaft	0150-1196

PR01-84x80-C/48x240F-C-150 (-L)

Max. Stroke: 150 mm
Peak Force: 572 N
Peak Torque: 8.9 Nm



Dimensions in mm

Motor Specifications

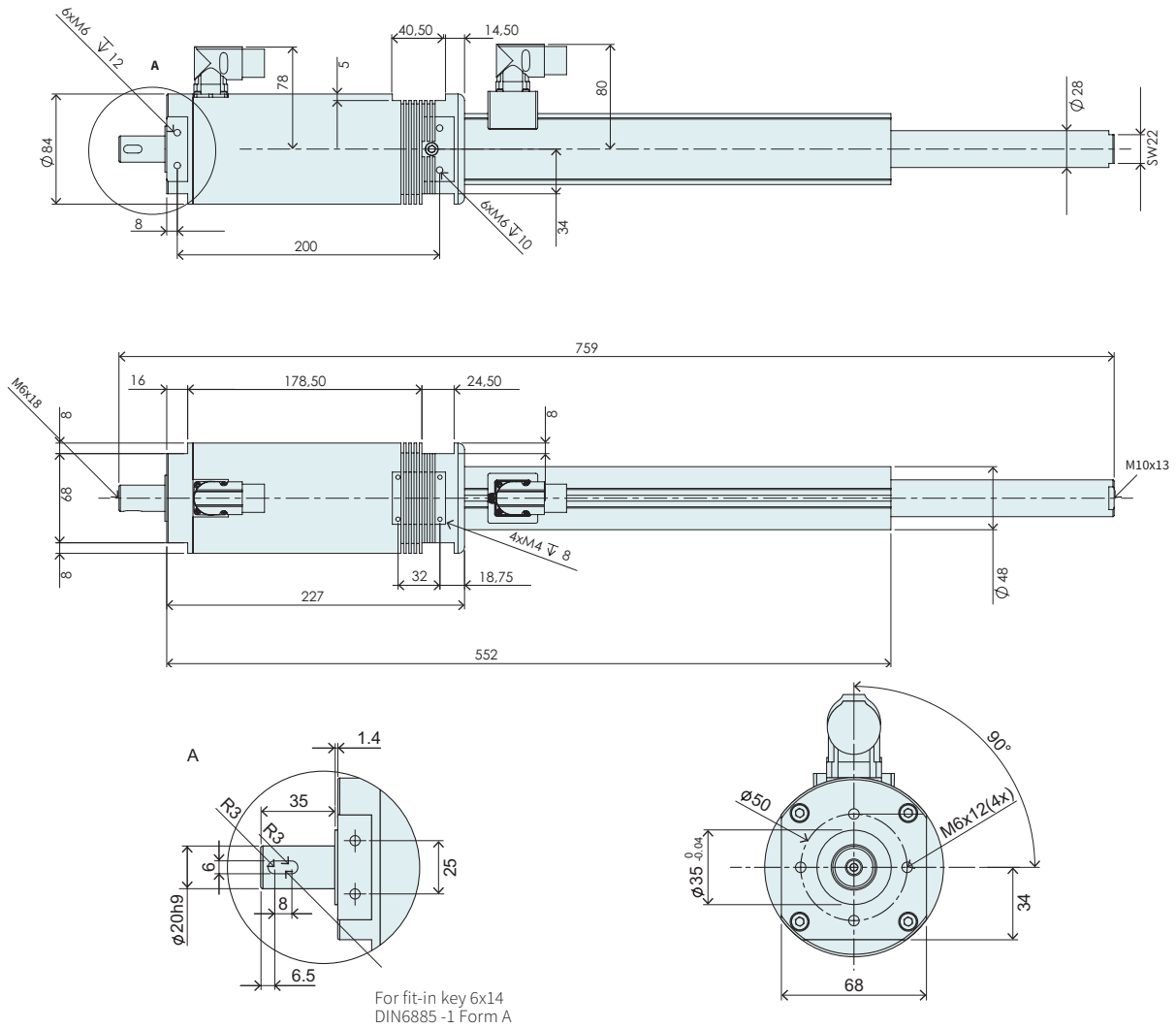
PR01-84x80-C/48x240F-C-150 (-L)

		PR01-84x80-C/48x240F-C-150 (-L)	
Linear Motion			
Extended Stroke ES	mm (in)	150	(5.91)
Standard Stroke SS	mm (in)	100	(3.94)
Peak Force	N (lbf)	572	(128.6)
Constant Force	N (lbf)	145	(74.2)
Constant Force Fan cooling	N (lbf)	255	(57.3)
Force Constant	N/A _{pk} (lbf/A _{pk})	22	(5.0)
Max. Current @ 72VDC	A _{pk}	26	
Max. Velocity @ 72VDC	m/s (in/s)	3.0	(118)
Position Repeatability	mm (in)	±0.05	(±0.0020)
Linearity	%	±0.15	
Rotary Motion			
Peak Torque	Nm (lbf·in)	8.9	(78.8)
Constant Torque (Halt)	Nm (lbf·in)	1.9	(16.8)
Max. Number of revolutions	rpm	1000	
Torque Constant 1	Nm/A _{pk} (lbf·in/A _{pk})	0.36	(3.19)
Torque Constant 2	Nm/A _{rms} (lbf·in/A _{rms})	0.5035	(4.46)
Max. Current @ 72VDC	A _{pk} / A _{rms}	25 / 17.68	
Position Repeatability	°	±0.05	
Mechanical Data			
Overall length	mm (in)	759	(29.89)
Diameter Linear Unit	mm (in)	48	(1.89)
Diameter Rotary Unit	mm (in)	84	(3.31)
Mass	g (lb)	9000	(19.88)
Linear Moving mass	g (lb)	2600	(5.74)
Rotary Torque of Inertia	kg·cm ² (lb·ft ²)	2.3	(0.0054)
Axle Diameter	mm (in)	20h9	(0.79)
Through bore-hole		-L Option	Hole diameter 4 mm, connection (front) 1/8" x 7, connection (back) 1/4" x 8
Protection Class			IP64

Note: hollow Shaft variants have 10% reduced forces

10

DIMENSIONS

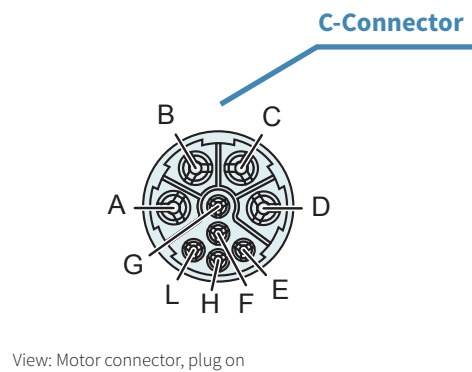


For fit-in key 6x14
DIN6885 -1 Form A

Dimensions in mm

CONNECTORS

Motor Connector Wiring	Linear Unit: C-Connector	Rotary Unit: C-Connector	Wire Color Motor Cable
Ph 1+	A	A	red
Ph 1-	B	B	pink
Ph 2+	C	C	blue
Ph 2-	D	D	grey
+5VDC	E	E	white
GND	F	F	inner shield
Sin	G	G	yellow
Cos	H	H	green
Temp.	L	L	black
Shield	Housing	Housing	outer Shield

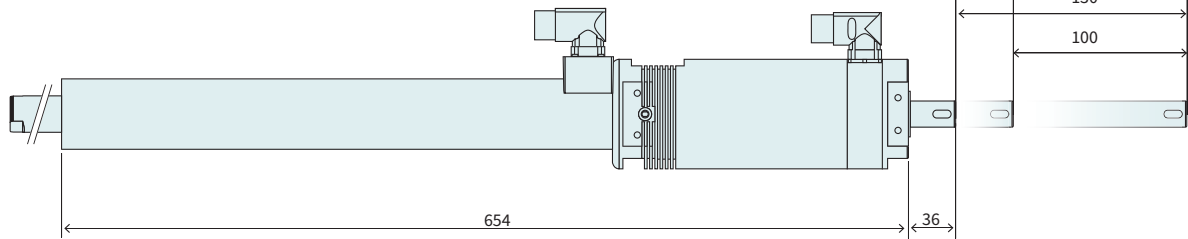
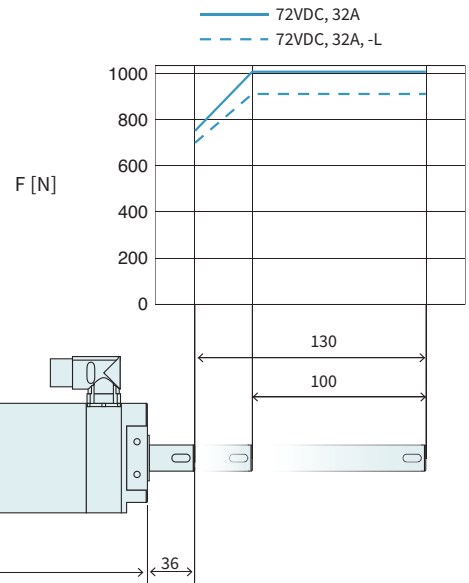


View: Motor connector, plug on

Item	Description	Item-No.
PR01-84x80-C/48x240F-C-150	Linear Rotary Motor	0150-1187
PR01-84x80-C/48x240F-C-150-L	Linear Rotary Motor with hollow Shaft	0150-1188

PR01-84x80-C/48x360F-C-100 (-L)

Max. Stroke: 130 mm
Peak Force: 1024 N
Peak Torque: 8.9 Nm



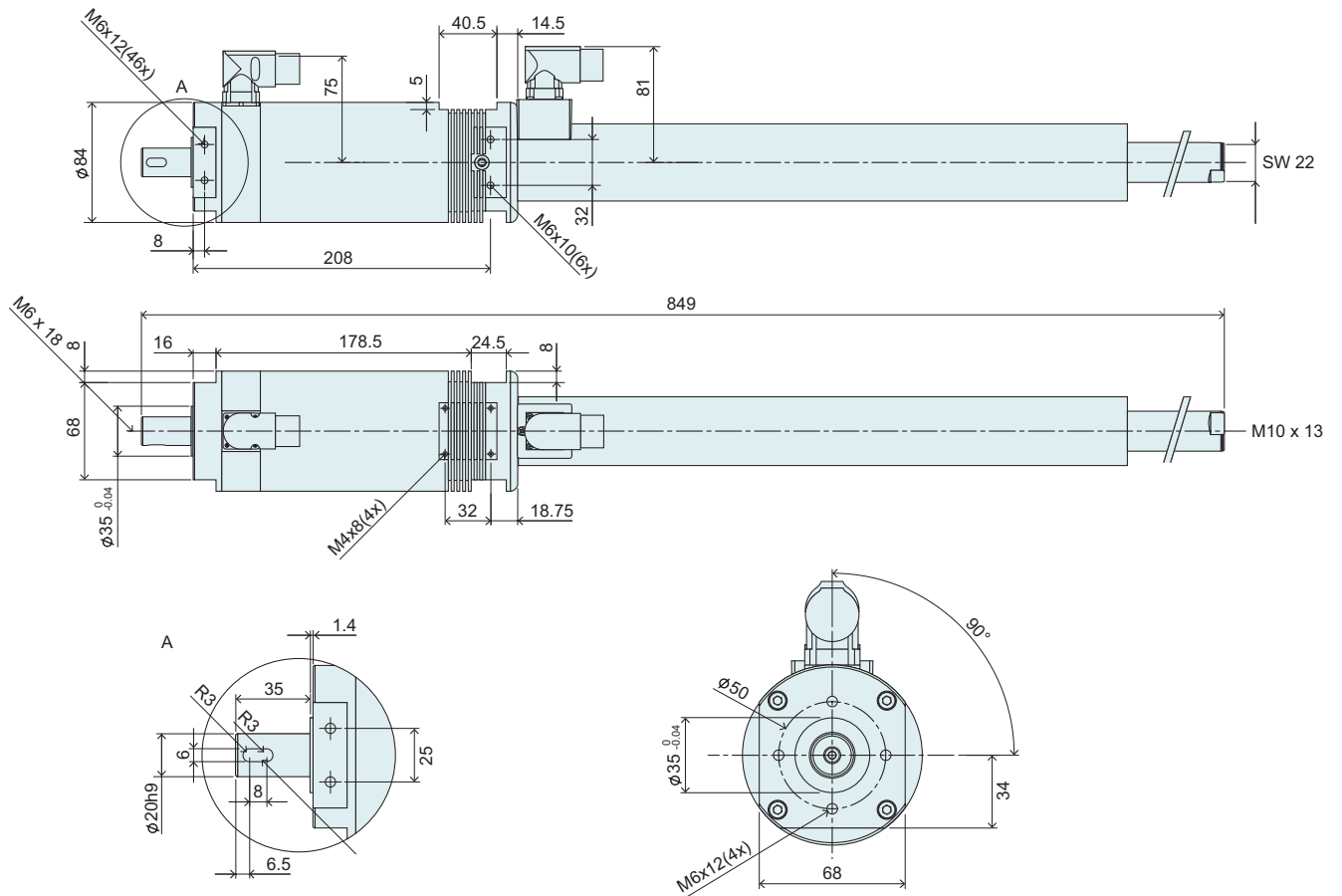
Dimensions in mm

Motor Specifications

		PR01-84x80-C/48x360F-C-100 (-L)	
Linear Motion			
Extended Stroke ES	mm (in)	130 (5.12)	
Standard Stroke SS	mm (in)	100 (3.94)	
Peak Forc E12x0 - UC	N (lbf)	1024 (-L 921)	(230.2 (-L 207.0))
Constant Force	N (lbf)	203 (-L 182)	(45.6 (-L 40.9))
Constant Force Fan cooling	N (lbf)	354 (-L 319)	(79.6 (-L 71.1))
Force Constant	N/A _{pk} (lbf/A _{pk})	32	(7.2)
Max. Current @ 72VDC	A _{pk}	32	
Max. Velocity @ 72VDC	m/s (in/s)	2.1	(83)
Position Repeatability	mm (in)	±0.05	(±0.0020)
Linearity	%	±0.15	
Rotary Motion			
Peak Torque	Nm (lbf·in)	8.9	(78.8)
Constant Torque (Halt)	Nm (lbf·in)	1.9	(16.8)
Max. Number of revolutions	rpm	1000	
Torque Constant 1	Nm/A _{pk} (lbf·in/A _{pk})	0.36	(3.19)
Torque Constant 2	Nm/A _{rms} (lbf·in/A _{rms})	0.5035	(4.46)
Max. Current @ 72VDC	A _{pk} / A _{rms}	25 / 17.68	
Position Repeatability	°	±0.05	
Mechanical Data			
Overall length	mm (in)	849	(33.44)
Diameter Linear Unit	mm (in)	48	(1.89)
Diameter Rotary Unit	mm (in)	84	(3.31)
Mass	g (lb)	10480	(23.1)
Linear Moving mass	g (lb)	2900	(6.39)
Rotary Torque of Inertia	kgcm ² (lbF ²)	2	(0.0047)
Axle Diameter	mm (in)	20h9	(0.79)
Through bore-hole		-L Option	Hole diameter 4 mm, connection (front) 1/8" x 7, connection (back) 1/4" x 8
Protection Class			IP64

Note: hollow Shaft variants have 10% reduced forces

DIMENSIONS

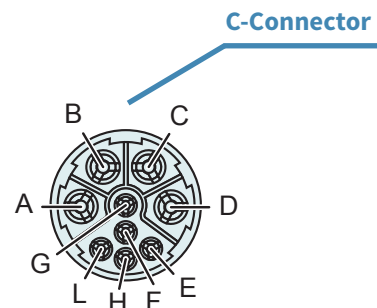


For fit-in key 6x14
DIN6885 -1 Form A

Dimensions in mm

CONNECTORS

Motor Connector Wiring	Linear Unit: C-Connector	Rotary Unit: C-Connector	Wire Color Motor Cable
Ph 1+ / A	A	A	red
Ph 1- / B	B	B	pink
Ph 2+ / C	C	C	blue
Ph 2- / NC	D	D	grey
+5VDC	E	E	white
GND	F	F	inner shield
Sin	G	G	yellow
Cos	H	H	green
Temp.	L	L	black
Shield	Housing	Housing	outer Shield

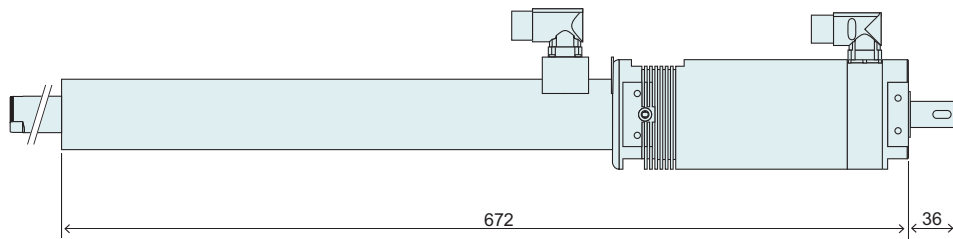
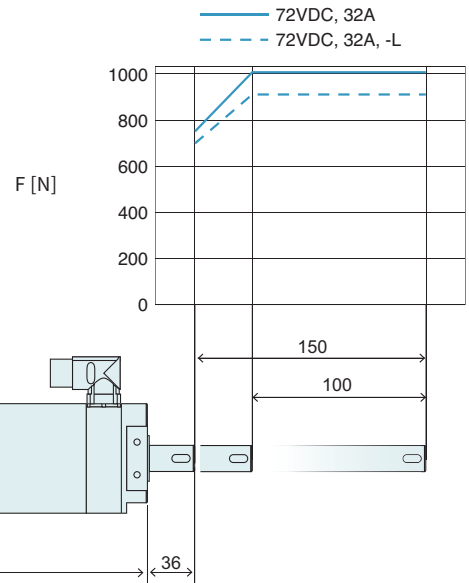


View: Motor connector, plug on

Item	Description	Item-No.
PR01-84x80-C/48x360F-C-100	Linear Rotary Motor	0150-1199
PR01-84x80-C/48x360F-C-100-L	Linear Rotary Motor with hollow Shaft	0150-1200

PR01-84x80-C/48x360F-C-150 (-L)

Max. Stroke: 150 mm
Peak Force: 1024 N
Peak Torque: 8.9 Nm



Dimensions in mm

Motor Specifications

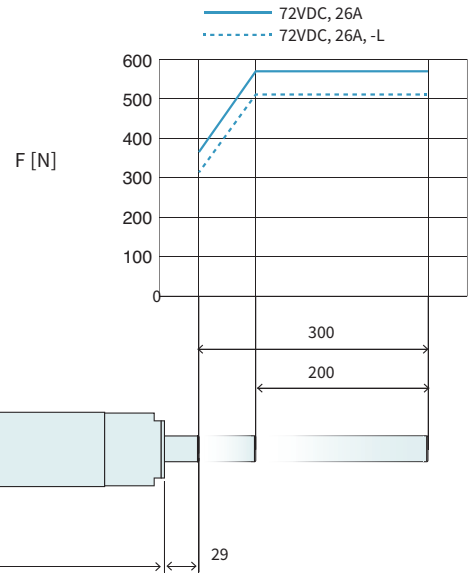
PR01-84x80-C/48x360F-C-150 (-L)

		PR01-84x80-C/48x360F-C-150 (-L)	
Linear Motion			
Extended Stroke ES	mm (in)	150	(5.91)
Standard Stroke SS	mm (in)	100	(3.94)
Peak Force	N (lbf)	1024	(230.1)
Constant Force	N (lbf)	203	(45.6)
Constant Force Fan cooling	N (lbf)	354	(79.6)
Force Constant	N/A _{pk} (lbf/A _{pk})	32	(7.3)
Max. Current @ 72VDC	A _{pk}	32	
Max. Velocity @ 72VDC	m/s (in/s)	2.1	(84)
Position Repeatability	mm (in)	±0.05	(±0.0020)
Linearity	%	±0.15	
Rotary Motion			
Peak Torque	Nm (lbf·in)	8.9	(78.8)
Constant Torque (Halt)	Nm (lbf·in)	1.9	(16.8)
Max. Number of revolutions	rpm	1000	
Torque Constant 1	Nm/A _{pk} (lbf·in/A _{pk})	0.36	(3.19)
Torque Constant 2	Nm/A _{rms} (lbf·in/A _{rms})	0.5035	(4.46)
Max. Current @ 72VDC	A _{pk} / A _{rms}	25 / 17.68	
Position Repeatability	°	±0.05	
Mechanical Data			
Overall length	mm (in)	879	(34.62)
Diameter Linear Unit	mm (in)	48	(1.89)
Diameter Rotary Unit	mm (in)	84	(3.31)
Mass	g (lb)	11860	(26.2)
Linear Moving mass	g (lb)	2900	(6.4)
Rotary Torque of Inertia	kgcm ² (lbF ²)	2.3	(0.0054)
Axle Diameter	mm (in)	20h9	(0.79)
Through bore-hole		-L Option	Hole diameter 4 mm, connection (front) 1/8" x 7, connection (back) 1/4" x 8
Protection Class			IP64

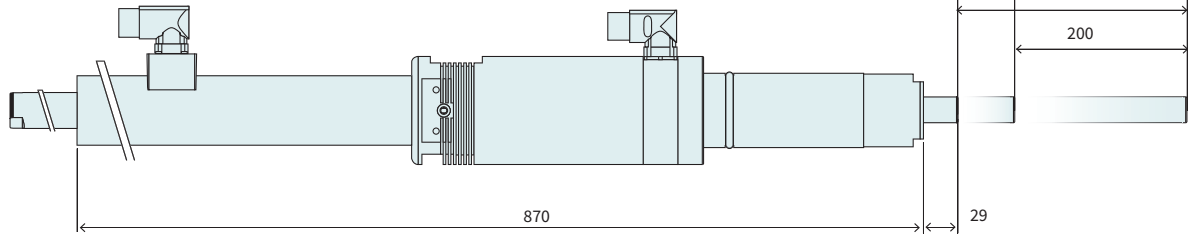
Note: hollow Shaft variants have 10% reduced forces

PR01-84x80-C/48x240F-C-300 (-L)

Max. Stroke: 300 mm
Peak Force: 572 N
Peak Torque: 8.9 Nm



Dimensions in mm



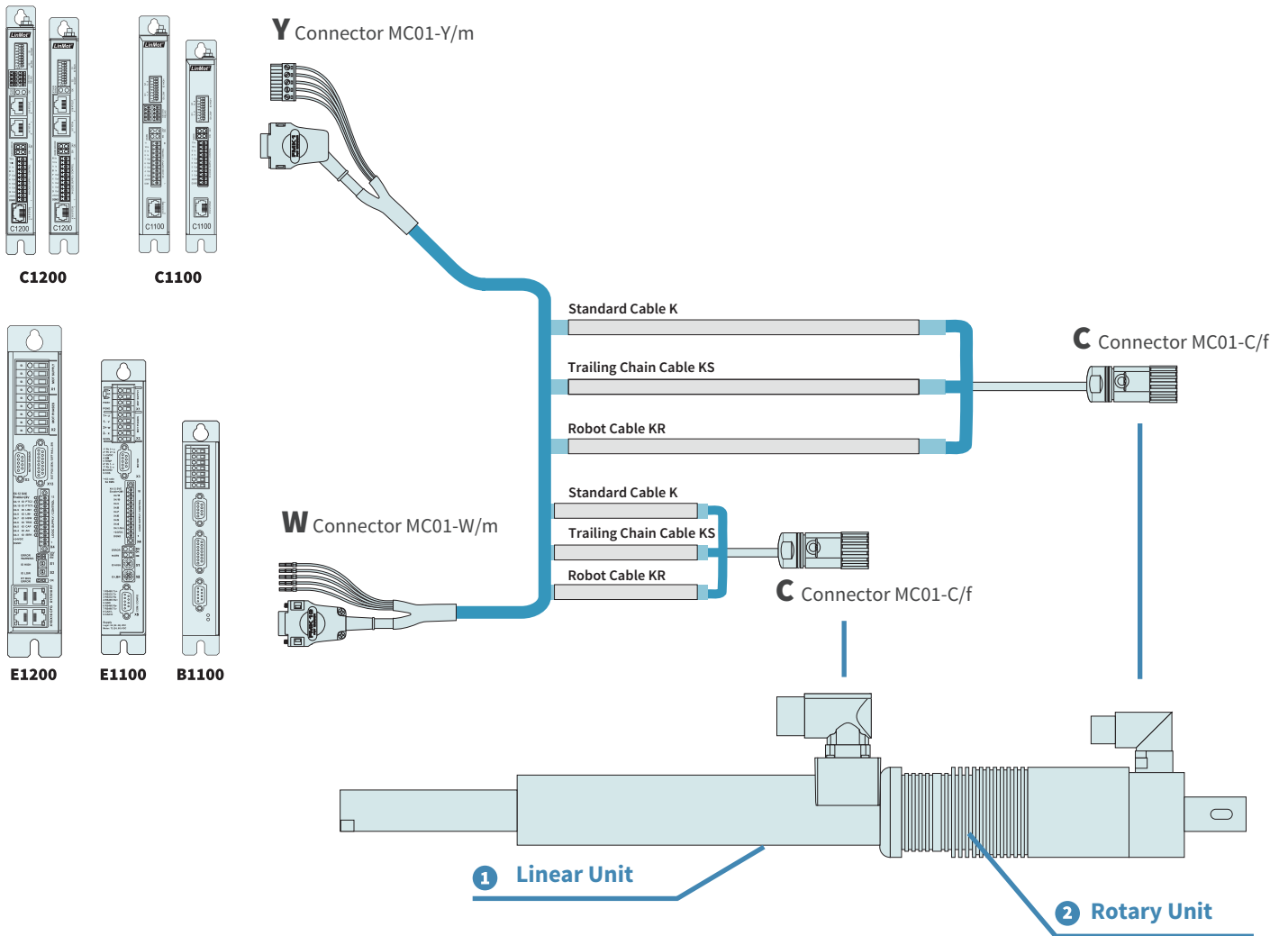
Motor Specifications

		PR01-84x80-C/48x240F-C-300(-L)	
Linear Motion			
Extended Stroke ES	mm (in)	300	(11.81)
Standard Stroke SS	mm (in)	200	(7.88)
Peak Forc E12x0 - UC	N (lbf)	572 (-L 514)	(128.6 (-L 115.6))
Constant Force	N (lbf)	145 (-L 130)	(74.2 (-L 29.2))
Constant Force Fan cooling	N (lbf)	255 (-L 230)	(58.0 (-L 51.7))
Force Constant	N/A _{pk} (lbf/A _{pk})	22	(5.0)
Max. Current @ 72VDC	A _{pk}	26	
Max. Velocity @ 72VDC	m/s (in/s)	3	(118)
Position Repeatability	mm (in)	±0.05	(±0.0020)
Linearity	%	±0.15	
Rotary Motion			
Peak Torque	Nm (lbf·in)	8.9	78
Constant Torque (Halt)	Nm (lbf·in)	1.9	17
Max. Number of revolutions	rpm	1000	
Torque Constant 1	Nm/A _{pk} (lbf·in/A _{pk})	0.36	(3.19)
Torque Constant 2	Nm/A _{rms} (lbf·in/A _{rms})	0.5035	4.46
Max. Current @ 72VDC	A _{pk} / A _{rms}	25 / 17.68	
Position Repeatability	°	+/- 0.05°(* / -3°)	
Mechanical Data			
Overall length	mm (in)	1222	(48.11)
Diameter Linear Unit	mm (in)	48	(1.89)
Diameter Rotary Unit	mm (in)	84	(3.31)
Mass	g (lb)	12500	(27.56)
Linear Moving mass	g (lb)	3600	(7.94)
Rotary Torque of Inertia	kgcm ² (lbF ²)	2.4	(0.0057)
Axle Diameter	mm (in)	20h9	(0.79)
Through bore-hole		-L Option	Hole diameter 4 mm, Connection (front) 1/8" x 7, connection (back) 1/4" x 8
Protection Class		IP64	

Note: hollow Shaft variants have 10% reduced forces

Accessories

MOTOR CABLE



10

ORDERING INFORMATION

1 2 Linear Unit / Rotary Unit

Standard Cable		
Item	Description	Item-No.
K15-W/C-2	Motor Cable W/C, 2 m	0150-1811
K15-W/C-4	Motor Cable W/C, 4 m	0150-1801
K15-W/C-6	Motor Cable W/C, 6 m	0150-1802
K15-W/C-8	Motor Cable W/C, 8 m	0150-1803
K15-W/C-	Motor Cable K15-W/C, Custom length	0150-3131

K15-Y/C-2	Motor Cable Y/C, 2 m	0150-2429
K15-Y/C-4	Motor Cable Y/C, 4 m	0150-2430
K15-Y/C-6	Motor Cable Y/C, 6 m	0150-2431
K15-Y/C-8	Motor Cable Y/C, 8 m	0150-2432
K15-Y-Fe/C-	Motor Cable K15-Y-Fe/C, Custom length	0150-3506

Robot Cable		
Item	Description	Item-No.
KR10-W/C-	Robot Cable KR10-W/C, Custom length	0150-3199
KR10-Y-Fe/C-	Robot Cable KR10-Y-Fe/C, Custom length	0150-3515

Trailing Chain Cable		
Item	Description	Item-No.
KS10-W/C-4	Trailing Chain Cable W/C, 4 m	0150-1807
KS10-W/C-6	Trailing Chain Cable W/C, 6 m	0150-1858
KS10-W/C-8	Trailing Chain Cable W/C, 8 m	0150-1808
KS10-W/C-	Trailing Chain Cable KS10-W/C, Custom length	0150-3139

KS10-Y/C-4	Trailing Chain Cable Y/C, 4 m	0150-2439
KS10-Y/C-6	Trailing Chain Cable Y/C, 6 m	0150-2440
KS10-Y/C-8	Trailing Chain Cable Y/C, 8 m	0150-2441
KS10-Y-Fe/C-	Trailing Chain Cable KS10-Y-Fe/C, Custom length	0150-3511

Connector & Cable (individual)		
Item	Description	Item-No.
MC01-C/f	Motor Connector C/f	0150-3080
MC01-W/m	Motor Connector W/m	0150-3140
MC01-Y-Fe/m	Motor Connector Y-Fe/m	0150-3289
K15-04/05	Motor Cable per m	0150-1978
KS10-04/05	Trailing Chain Cable per m	0150-1977
KR10-04/05	Robot Cable per m	0150-1830

COOLING PROFILE



Item	Description	Item-No.
PC01-48x100	Cooling profile for PS01-48 Linear Motor	0160-2145
PC01-48x117	Cooling profile for PS01-48 Linear Motor	0160-2138

FLANGE



Item	Description	Item-No.
PF01-48x120	Flange 48x120 mm	0150-1976
PF01-48x226	Flange 48x226 mm	0150-2108

FAN COOLING FOR LINEAR UNIT



Item	Description	Item-No.
HV01-37/48	Fan cooling for H01-37/48 & PF01-48	0150-5051

10

FAN COOLING FOR ROTARY UNIT



Item	Description	Item-No.
RS01-VA84-Kit	Fan Kit for RS01-84 Rotary Motors	0150-1600

MOUNTING FLANGE



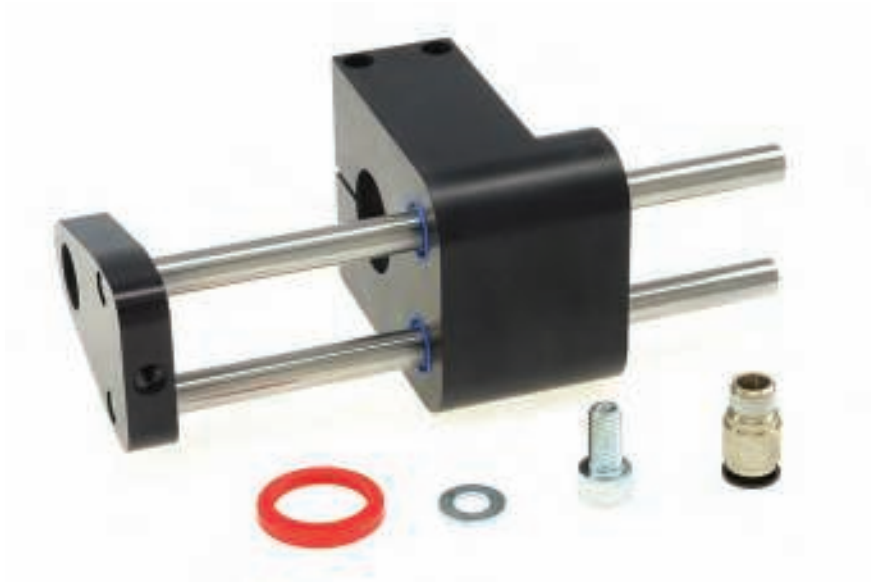
Item	Description	Item-No.
MF01-PR01-84x80-37-1	MagSpring Mounting Flange for Linear Rotary Motors UNO	0250-2337
MF01-PR01-84x80-37-2	MagSpring Mounting Flange for Linear Rotary Motors DUO	0250-2338

MAGSPRING ADAPTER



Item	Description	Item-No.
MA01-PR01-84x80-37-1	MagSpring Adapter for Linear Rotary Motors UNO	0250-2341
MA01-PR01-84x80-37-2	MagSpring Adapter for Linear Rotary Motors DUO	0250-2340

CAM KIT



Item	Description	Item-No.
MF01-PK84	Motor Cam Kit for Linear Rotary Motor	0250-2324

SHAFT-HUB CLAMPING



Item	Description	Item-No.
RS01-SS20x38	Shaft-hub clamping for 20 mm shaft	0230-0100

Area with horizontal dotted lines for notes.

LINEAR ROTARY MOTORS PR01-84 STAINLESS STEEL



10

- ✓ Rotating shaft and front flange made of EN 1.4404 / AISI / SAE 316L stainless steel
- ✓ Hygienic design
- ✓ Resistant to cleaning agents
- ✓ Optimal for use in the food industry
- ✓ Optimal for use in the pharmaceutical industry

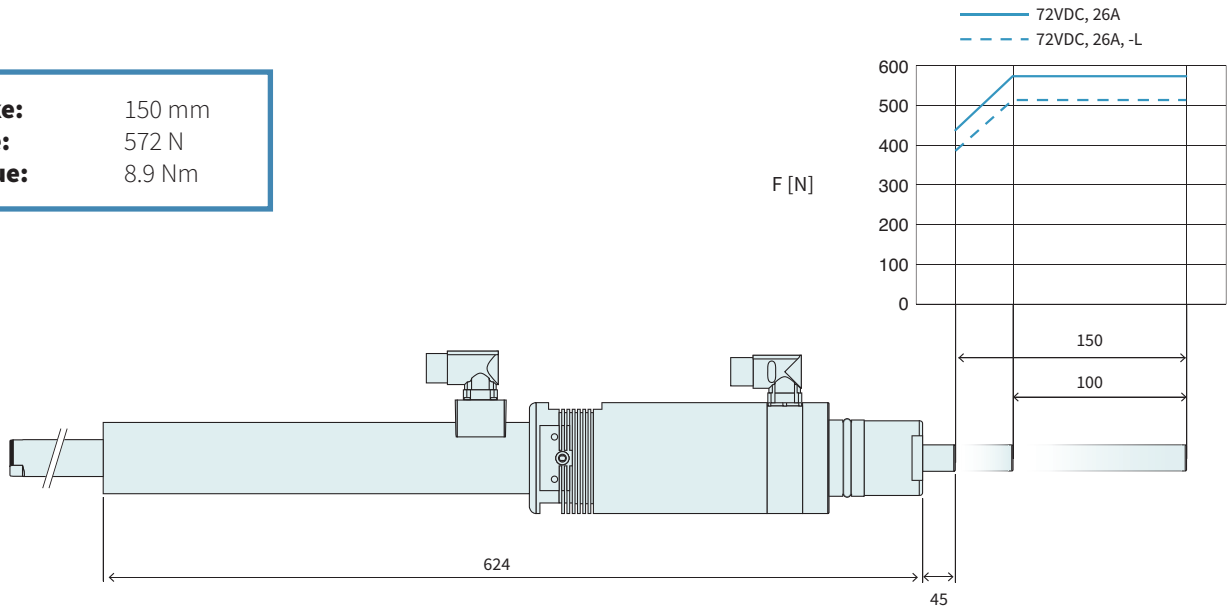


LINEAR ROTARY MOTORS PR01-84 STAINLESS STEEL

PR01-84x80-SSC-C/48x240F-C-150-(L) _____	800
PR01-84x80-SSC-C/48x240F-C-300-L _____	802
PR01-84x80-SSC-C/48x360F-C-150-(L) _____	804
Accessories _____	806

PR01-84x80-SSC-C/48x240F-C-150 (-L)

Max. Stroke: 150 mm
Peak Force: 572 N
Peak Torque: 8.9 Nm



Dimensions in mm

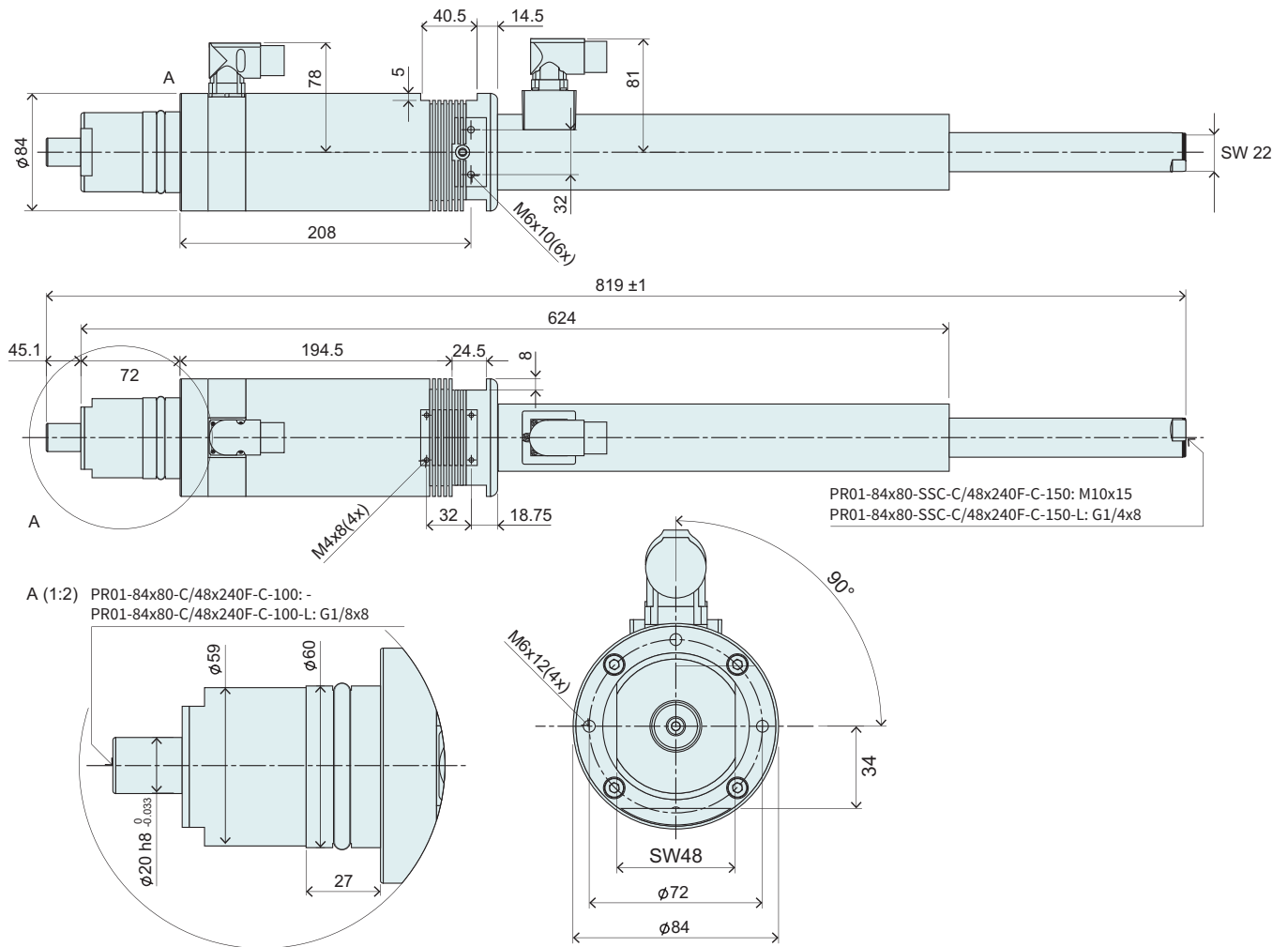
Motor Specifications

PR01-84x80-SSC-C/48x240F-C-150 (-L)

		PR01-84x80-SSC-C/48x240F-C-150 (-L)	
Linear Motion			
Extended Stroke ES	mm (in)	150	(5.91)
Standard Stroke SS	mm (in)	100	(3.94)
Peak Forc E12x0 - UC	N (lbf)	572 (-L 514)	(128.6 (-L 115.6))
Constant Force	N (lbf)	145 (-L 130)	(32.6 (-L 29.2))
Constant Force Fan cooling	N (lbf)	255 (-L 230)	(57.3 (-L 51.7))
Force Constant	N/A _{pk} (lbf/A _{pk})	22	(4.9)
Max. Current @ 72VDC	A _{pk}	26	
Max. Velocity @ 72VDC	m/s (in/s)	3	(118)
Position Repeatability	mm (in)	±0.05	(±0.0020)
Linearity	%	±0.15	
Rotary Motion			
Peak Torque	Nm (lbf·in)	8.9	(78)
Constant Torque (Halt)	Nm (lbf·in)	1.9	(17)
Max. Number of revolutions	rpm	1000	
Torque Constant 1	Nm/A _{pk} (lbf·in/A _{pk})	0.36	(3.19)
Torque Constant 2	Nm/A _{rms} (lbf·in/A _{rms})	0.5035	(4.46)
Max. Current @ 72VDC	A _{pk} / A _{rms}	25 / 17.68	
Position Repeatability	°	±0.05°(*/-3°)	
Mechanical Data			
Overall length	mm (in)	819	(32.2)
Diameter Linear Unit	mm (in)	48	(1.89)
Diameter Rotary Unit	mm (in)	84	(3.31)
Mass	g (lb)	11000	(24.25)
Linear Moving mass	g (lb)	2600	(5.73)
Rotary Torque of Inertia	kg·cm ² (lb·ft ²)	2.3	(0.0055)
Axle Diameter	mm (in)	20h9	(0.79)
Through bore-hole		-L Option	Hole diameter 4 mm, connection (front) 1/8" x 8, connection (back) 1/4" x 8
Protection Class		IP64 / IP67	(Front flange)

Note: hollow Shaft variants have 10% reduced forces

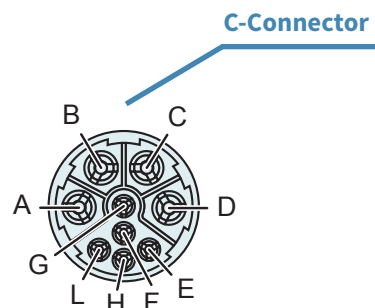
DIMENSIONS



Dimensions in mm

CONNECTORS

Motor Connector Wiring	Linear Unit: C-Connector	Rotary Unit: C-Connector	Wire Color Motor Cable
Ph 1+ / A	A	A	red
Ph 1- / B	B	B	pink
Ph 2+ / C	C	C	blue
Ph 2- / NC	D	D	grey
+5VDC	E	E	white
GND	F	F	inner shield
Sin	G	G	yellow
Cos	H	H	green
Temp.	L	L	black
Shield	Housing	Housing	outer Shield

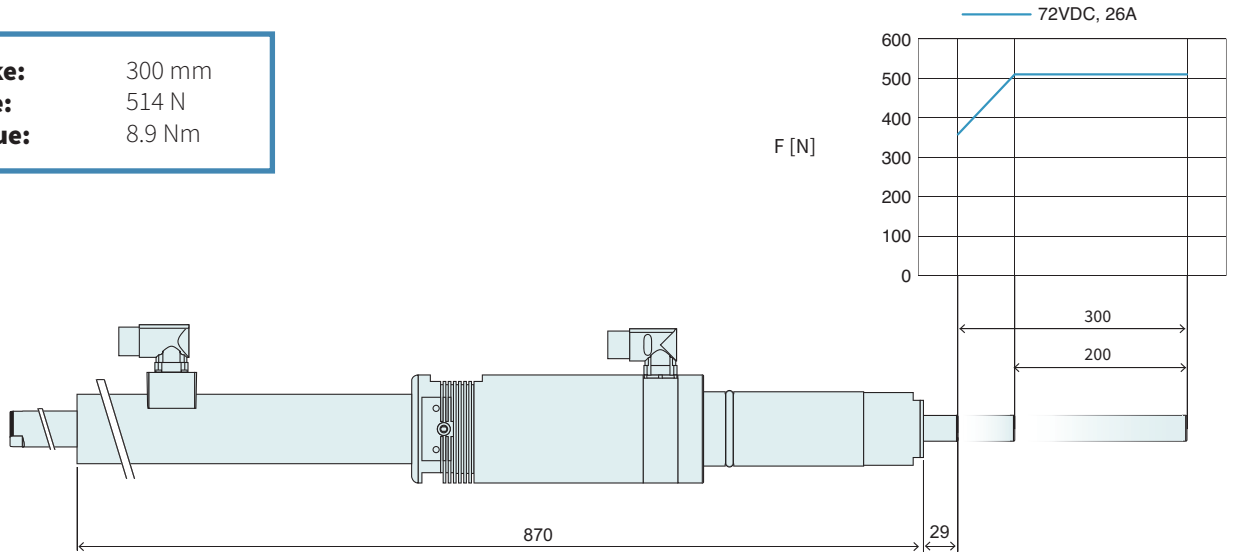


View: Motor connector, plug on

Item	Description	Item-No.
PR01-84x80-SSC-C/48x240F-C-150	Linear Rotary Motor, Stainless Steel	0150-1581
PR01-84x80-SSC-C/48x240F-C-150-L	Linear Rotary Motor, Stainless Steel with hollow Shaft	0150-1582

PR01-84x80-SSC-C/48x240F-C-300-L

Max. Stroke: 300 mm
Peak Force: 514 N
Peak Torque: 8.9 Nm

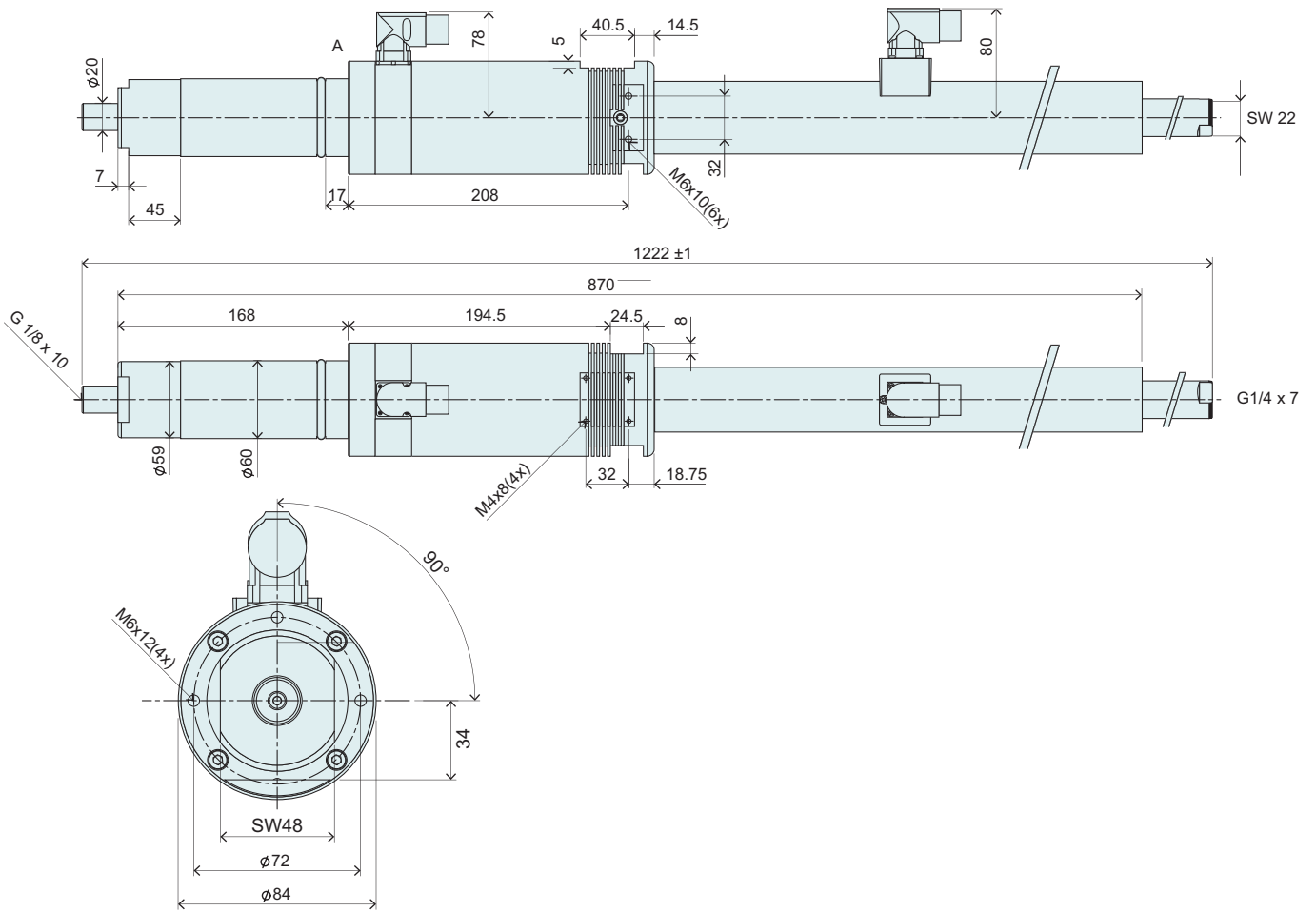


Dimensions in mm

Motor Specifications

		PR01-84x80-SSC-C/48x240F-C-300-L	
Linear Motion			
Extended Stroke ES	mm (in)	300	(11.81)
Standard Stroke SS	mm (in)	200	(7.88)
Peak Forc E12x0 - UC	N (lbf)	514	(115.6)
Constant Force	N (lbf)	145	(29.2)
Constant Force Fan cooling	N (lbf)	255	(57.3)
Force Constant	N/A _{pk} (lbf/A _{pk})	22	(5.0)
Max. Current @ 72VDC	A _{pk}	26	
Max. Velocity @ 72VDC	m/s (in/s)	3.0	(118)
Position Repeatability	mm (in)	±0.05	(±0.0020)
Linearity	%	±0.15	
Rotary Motion			
Peak Torque	Nm (lbf·in)	8.9	78
Constant Torque (Halt)	Nm (lbf·in)	1.9	17
Max. Number of revolutions	rpm	1000	
Torque Constant 1	Nm/A _{pk} (lbf·in/A _{pk})	0.36	(3.19)
Torque Constant 2	Nm/A _{rms} (lbf·in/A _{rms})	0.5035	4.46
Max. Current @ 72VDC	A _{pk} / A _{rms}	25 / 17.68	
Position Repeatability	°	±0.05°	(±0.3°)
Mechanical Data			
Overall length	mm (in)	1222	(48.11)
Diameter Linear Unit	mm (in)	48	(1.89)
Diameter Rotary Unit	mm (in)	84	(3.31)
Mass	g (lb)	12500	(27.56)
Linear Moving mass	g (lb)	3600	(7.94)
Rotary Torque of Inertia	kgcm ² (lb ²)	2.4	(0.0057)
Axle Diameter	mm (in)	20h9	(0.79)
Through bore-hole		Hole diameter 4 mm, Connection (front) 1/8" x 8, connection (back) 1/4" x 8	
Protection Class		IP64 / IP67 (Front flange)	

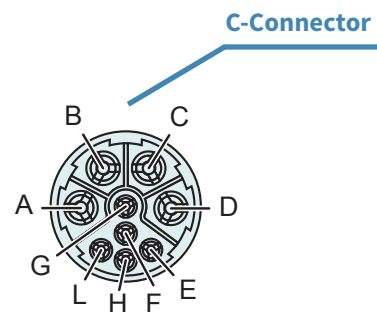
DIMENSIONS



Dimensions in mm

CONNECTORS

Motor Connector Wiring	Linear Unit: C-Connector	Rotary Unit: C-Connector	Wire Color Motor Cable
Ph 1+	A	A	red
Ph 1-	B	B	pink
Ph 2+	C	C	blue
Ph 2-	D	D	grey
+5VDC	E	E	white
GND	F	F	inner shield
Sin	G	G	yellow
Cos	H	H	green
Temp.	L	L	black
Shield	Housing	Housing	outer Shield

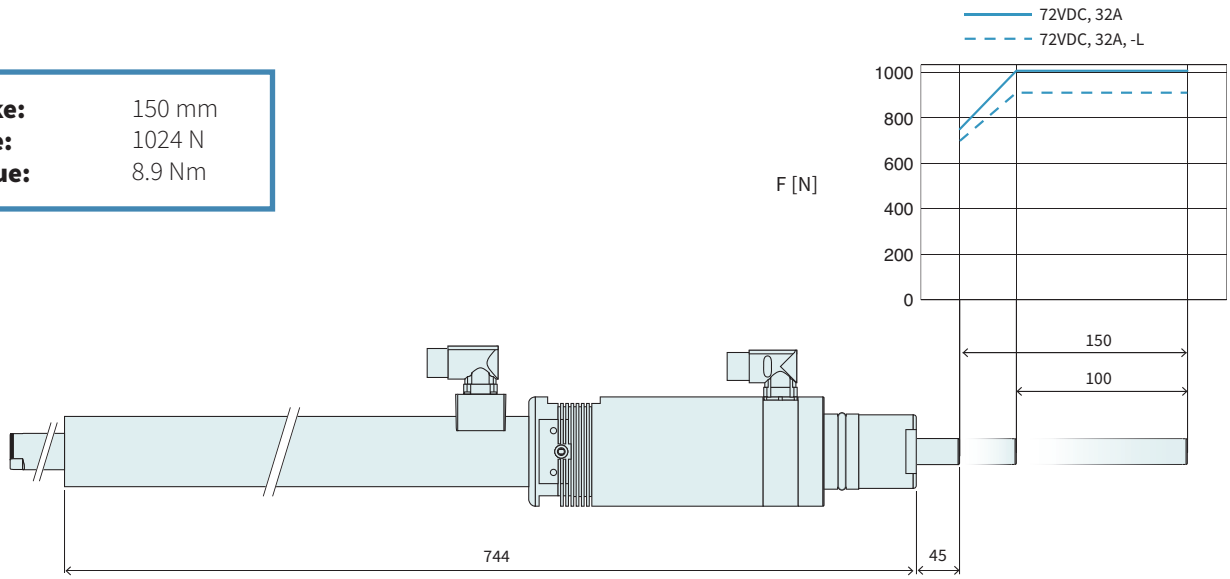


View: Motor connector, plug on

Item	Description	Item-No.
PR01-84x80-SSC-C/48x240F-C-300-L	Linear Rotary Motor, Stainless Steel with hollow Shaft	0150-2555

PR01-84x80-SSC-C/48x360F-C-150 (-L)

Max. Stroke: 150 mm
Peak Force: 1024 N
Peak Torque: 8.9 Nm



Dimensions in mm

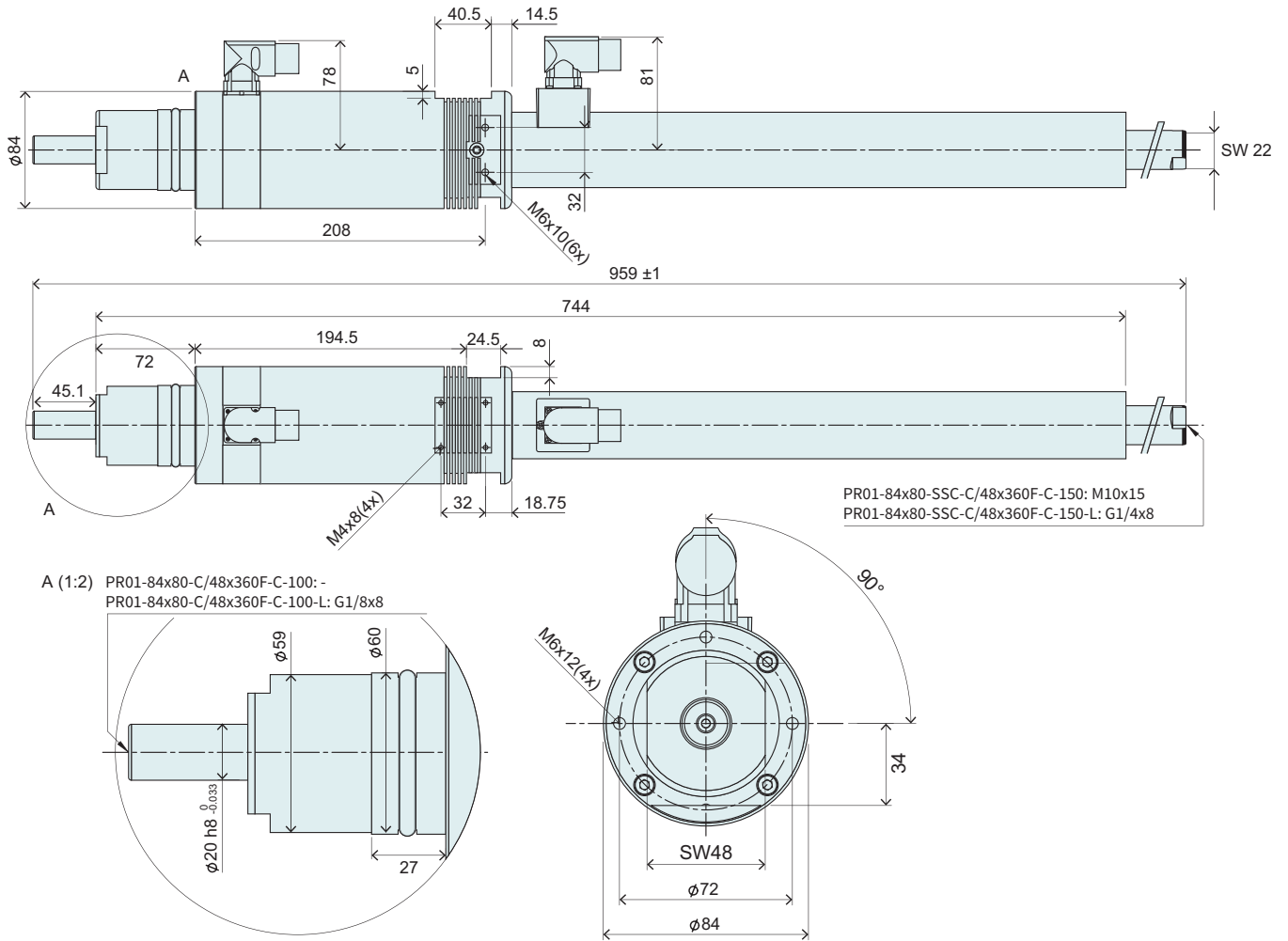
Motor Specifications

PR01-84x80-SSC-C/48x360F-C-150 (-L)

		PR01-84x80-SSC-C/48x360F-C-150 (-L)	
Linear Motion			
Extended Stroke ES	mm (in)	150 (5.91)	
Standard Stroke SS	mm (in)	100 (3.94)	
Peak Forc E12x0 - UC	N (lbf)	1024 (-L 921) (230.2 (-L 207.0))	(-L: hollow Shaft version reduced forces)
Constant Force	N (lbf)	203 (-L 182) (45.6 (-L 40.9))	
Constant Force Fan cooling	N (lbf)	354 (-L 319) (79.6 (-L 71.1))	
Force Constant	N/A _{pk} (lbf/A _{pk})	32 (7.2)	
Max. Current @ 72VDC	A _{pk}	32	
Max. Velocity @ 72VDC	m/s (in/s)	2.1 (83)	
Position Repeatability	mm (in)	±0.05 (±0.0020)	
Linearity	%	±0.15	
Rotary Motion			
Peak Torque	Nm (lbf·in)	8.9 78	
Constant Torque (Halt)	Nm (lbf·in)	1.9 17	
Max. Number of revolutions	rpm	1000	
Torque Constant 1	Nm/A _{pk} (lbf·in/A _{pk})	0.36 (3.19)	
Torque Constant 2	Nm/A _{rms} (lbf·in/A _{rms})	0.5035 4.46	
Max. Current @ 72VDC	A _{pk} / A _{rms}	25 / 17.68	
Position Repeatability	°	+/- 0.05°(*/-3°)	
Mechanical Data			
Overall length	mm (in)	959 (37.8)	
Diameter Linear Unit	mm (in)	48 (1.89)	
Diameter Rotary Unit	mm (in)	84 (3.31)	
Mass	g (lb)	12400 (27.34)	
Linear Moving mass	g (lb)	3200 (7.05)	
Rotary Torque of Inertia	kgcm ² (lbF ²)	2.3 (0.0055)	
Axle Diameter	mm (in)	20h9 (0.79)	
Through bore-hole		-L Option	Hole diameter 4 mm, connection (front) 1/8" x 8, connection (back) 1/4" x 8
Protection Class		IP64 / IP67 (Front flange)	

Note: hollow Shaft variants have 10% reduced forces

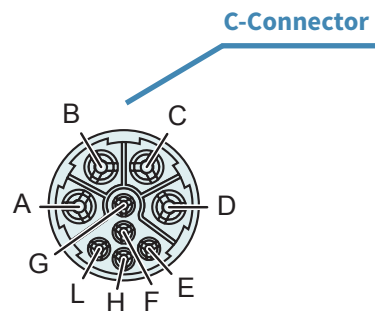
DIMENSIONS



Dimensions in mm

CONNECTORS

Motor Connector Wiring	Linear Unit: C-Connector	Rotary Unit: C-Connector	Wire Color Motor Cable
Ph 1+ / A	A	A	red
Ph 1- / B	B	B	pink
Ph 2+ / C	C	C	blue
Ph 2- / NC	D	D	grey
+5VDC	E	E	white
GND	F	F	inner shield
Sin	G	G	yellow
Cos	H	H	green
Temp.	L	L	black
Shield	Housing	Housing	outer Shield

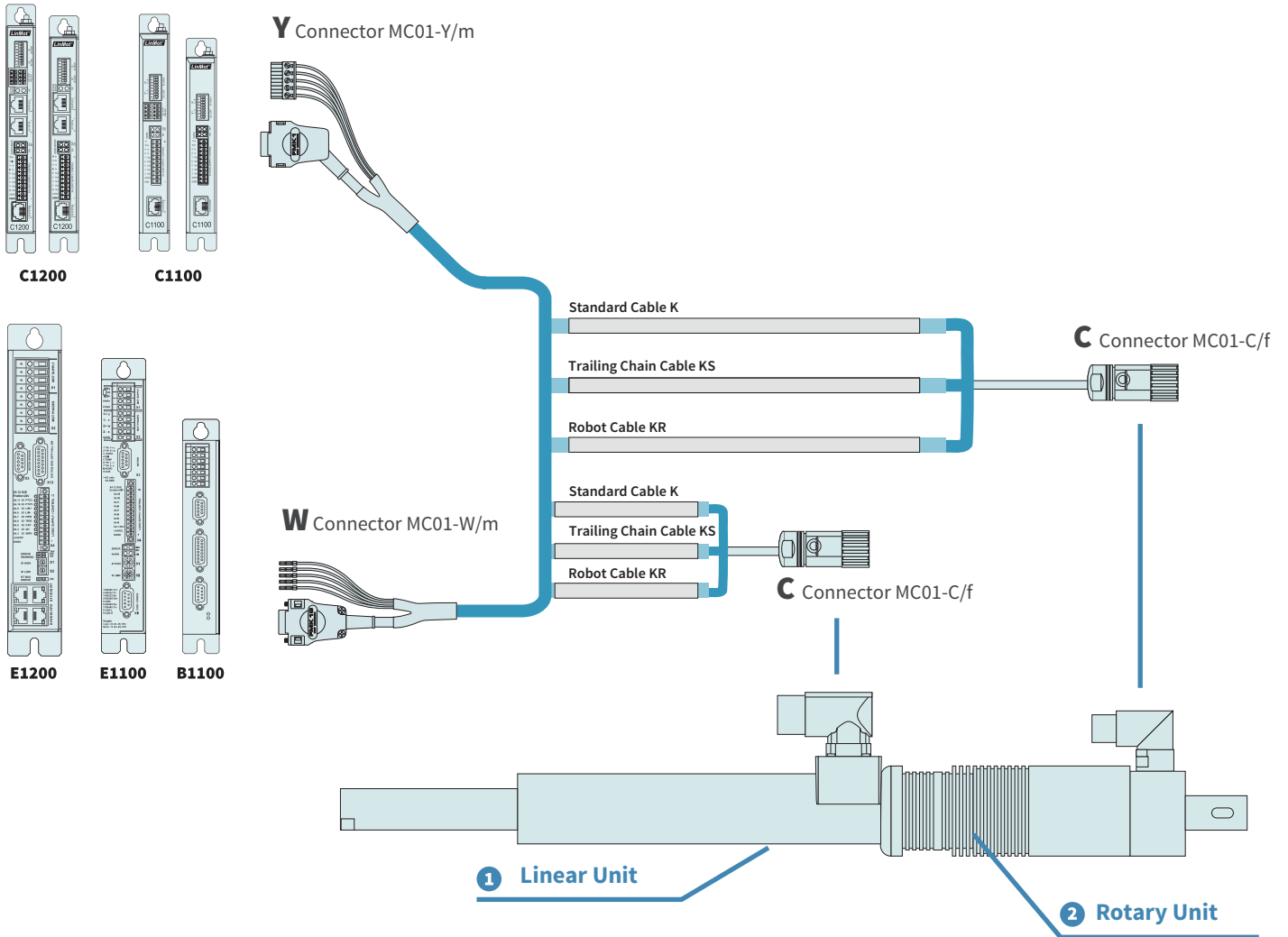


View: Motor connector, plug on

Item	Description	Item-No.
PR01-84x80-SSC-C/48x360F-C-150	Linear Rotary Motor, Stainless Steel	0150-1579
PR01-84x80-SSC-C/48x360F-C-150-L	Linear Rotary Motor, Stainless Steel with hollow Shaft	0150-1583

Accessories

MOTOR CABLE



10

ORDERING INFORMATION

1 2 Linear Unit / Rotary Unit

Standard Cable		
Item	Description	Item-No.
K15-W/C-2	Motor Cable W/C, 2 m	0150-1811
K15-W/C-4	Motor Cable W/C, 4 m	0150-1801
K15-W/C-6	Motor Cable W/C, 6 m	0150-1802
K15-W/C-8	Motor Cable W/C, 8 m	0150-1803
K15-W/C-	Motor Cable K15-W/C, Custom length	0150-3131

K15-Y/C-2	Motor Cable Y/C, 2 m	0150-2429
K15-Y/C-4	Motor Cable Y/C, 4 m	0150-2430
K15-Y/C-6	Motor Cable Y/C, 6 m	0150-2431
K15-Y/C-8	Motor Cable Y/C, 8 m	0150-2432
K15-Y-Fe/C-	Motor Cable K15-Y-Fe/C, Custom length	0150-3506

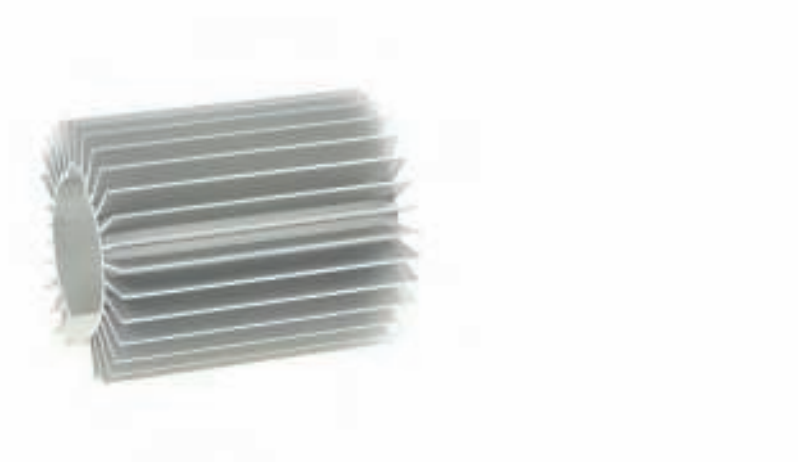
Robot Cable		
Item	Description	Item-No.
KR10-W/C-	Robot Cable KR10-W/C, Custom length	0150-3199
KR10-Y-Fe/C-	Robot Cable KR10-Y-Fe/C, Custom length	0150-3515

Trailing Chain Cable		
Item	Description	Item-No.
KS10-W/C-4	Trailing Chain Cable W/C, 4 m	0150-1807
KS10-W/C-6	Trailing Chain Cable W/C, 6 m	0150-1858
KS10-W/C-8	Trailing Chain Cable W/C, 8 m	0150-1808
KS10-W/C-	Trailing Chain Cable KS10-W/C, Custom length	0150-3139

KS10-Y/C-4	Trailing Chain Cable Y/C, 4 m	0150-2439
KS10-Y/C-6	Trailing Chain Cable Y/C, 6 m	0150-2440
KS10-Y/C-8	Trailing Chain Cable Y/C, 8 m	0150-2441
KS10-Y-Fe/C-	Trailing Chain Cable KS10-Y-Fe/C, Custom length	0150-3511

Connector & Cable (individual)		
Item	Description	Item-No.
MC01-C/f	Motor connector C/f	0150-3080
MC01-W/m	Motor connector W/m	0150-3140
MC01-Y-Fe/m	Motor connector Y-Fe/m	0150-3289
K15-04/05	Motor Cable per m	0150-1978
KS10-04/05	Trailing Chain Cable per m	0150-1977
KR10-04/05	Robot Cable per m	0150-1830

COOLING PROFILE



Item	Description	Item-No.
PC01-48x100	Cooling profile for PS01-48 Linear Motor	0160-2145
PC01-48x117	Cooling profile for PS01-48 Linear Motor	0160-2138

FLANGE



Item	Description	Item-No.
PF01-48x120	Flange 48x120 mm	0150-1976
PF01-48x226	Flange 48x226 mm	0150-2108

FAN COOLING FOR LINEAR UNIT



Item	Description	Item-No.
HV01-37/48	Fan cooling for H01-37/48 & PF01-48	0150-5051

10

FAN COOLING FOR ROTARY UNIT



Item	Description	Item-No.
RS01-VA84-Kit	Fan Kit for RS01-84 Rotary Motors	0150-1600

MOUNTING FLANGE



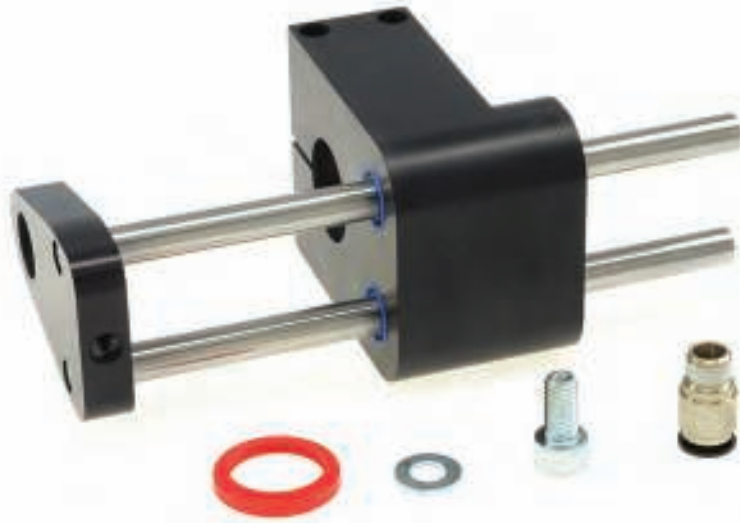
Item	Description	Item-No.
MF01-PR01-84x80-37-1	MagSpring Mounting Flange for Linear Rotary Motors UNO	0250-2337
MF01-PR01-84x80-37-2	MagSpring Mounting Flange for Linear Rotary Motors DUO	0250-2338

MAGSPRING ADAPTER



Item	Description	Item-No.
MA01-PR01-84x80-37-1	MagSpring Adapter for Linear Rotary Motors UNO	0250-2341
MA01-PR01-84x80-37-2	MagSpring Adapter for Linear Rotary Motors DUO	0250-2340

CAM KIT



Item	Description	Item-No.
MF01-PK84	Motor Cam Kit for Linear Rotary Motor	0250-2324

MAGSPRING COVER



Item	Description	Item-No.
ML01-AS300	MagSpring Cover kit for sliders with 300 mm stroke	0250-2345

SHAFT-HUB CLAMPING



Item	Description	Item-No.
RS01-SS20x38	Shaft-hub clamping for 20 mm shaft	0230-0100

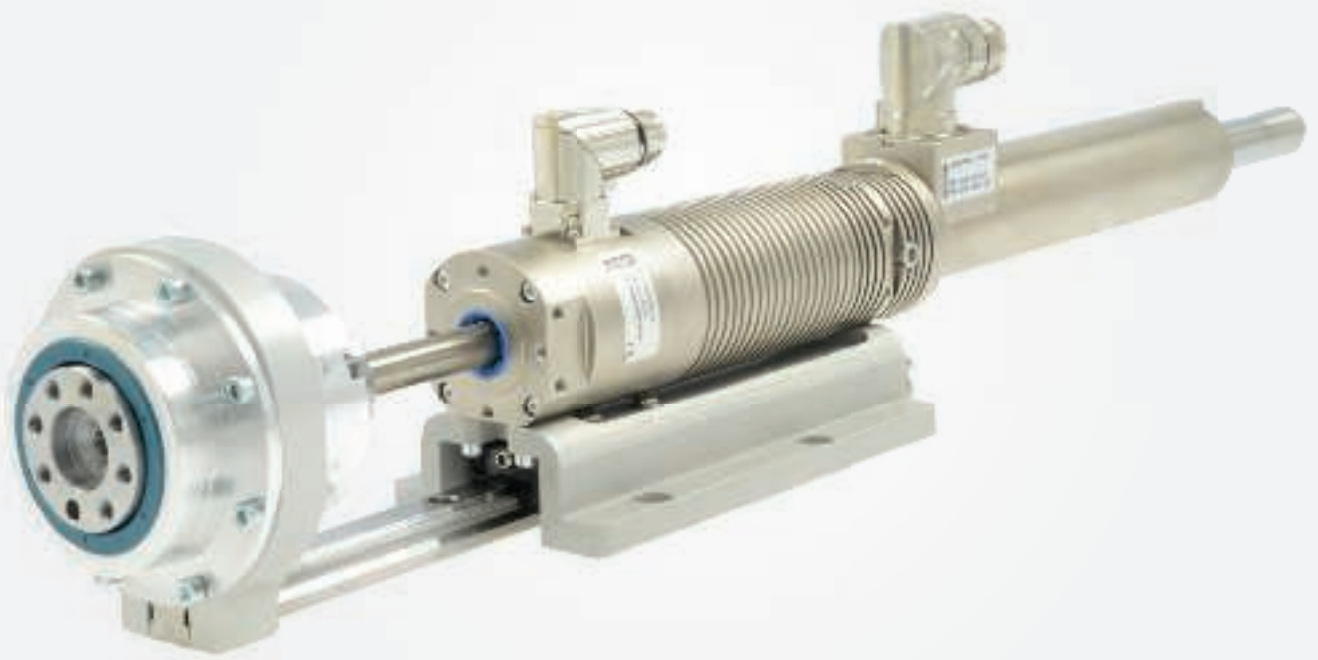
Area with horizontal dotted lines for notes.

LINEAR ROTARY MOTORS PR01 GEARBOX



10

- ✓ Independent linear and rotary motions
- ✓ For motions with high loads
- ✓ For applications with high torque
- ✓ Three gearbox ratios available
- ✓ With guide rails to bear transverse loads

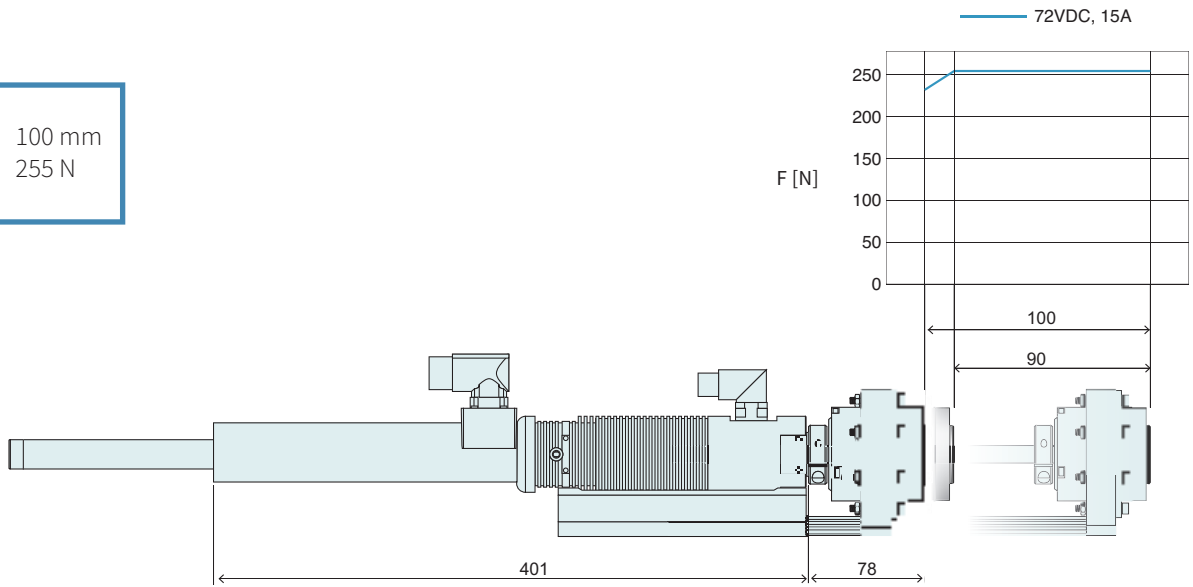


LINEAR ROTARY MOTORS PR01 GEARBOX

PR01-52x60-R/37x120F-HP-C-100-G	816
Technical Data	817
Accessories	818
PR01-84x80-C/48x240F-C-150-G	824
PR01-84x80-C/48x360F-C-150-G	826
Accessories	828

PR01-52x60-R/37x120F-HP-C-100-G...

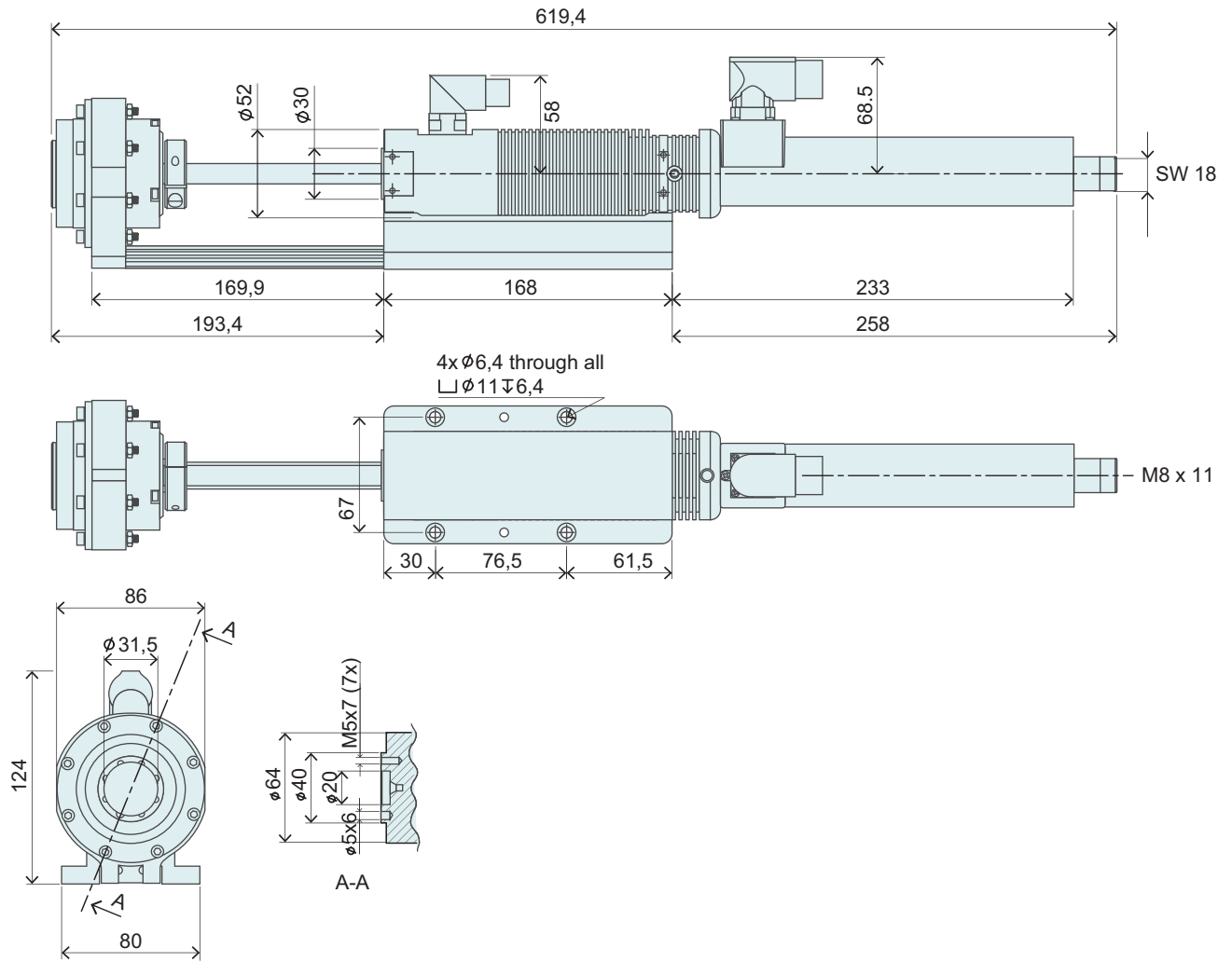
Max. Stroke: 100 mm
Peak Force: 255 N



Motor Specifications

		PR01-52x60-R/37x120F-HP-C-100-G05	PR01-52x60-R/37x120F-HP-C-100-G10
Linear Motion			
Extended Stroke ES	mm (in)	100 (3.94)	
Standard Stroke SS	mm (in)	90 (3.54)	
Peak Forc E12x0 - UC	N (lbf)	255 (57.3)	
Constant Force	N (lbf)	51 (11.5)	
Constant Force Fan cooling	N (lbf)	92 (20.7)	
Force Constant	N/A _{pk} (lbf/A _{pk})	17 (3.8)	
Max. Current @ 72VDC	A _{pk}	15	
Max. Velocity @ 72VDC	m/s (in/s)	3.9 (154)	
Position Repeatability	mm (in)	±0.05 (±0.0020)	
Linearity	%	±0.10	
Rotary Motion			
Peak Torque	Nm (lbf·in)	2.2 (19.5)	
Constant Torque (Halt)	Nm (lbf·in)	0.47 (4.2)	
Max. Number of revolutions	rpm	1500	
Torque Constant 1	Nm/A _{pk} (lbf·in/A _{pk})	0.16 (1.42)	
Torque Constant 2	Nm/A _{rms} (lbf·in/A _{rms})	0.23 (2.04)	
Gear Ratio	i	5	10
Max. Revolution (gearbox output)	U/min	300	150
Peak Torque (gearbox output)	Nm (lbf·in)	10 (89)	20 (177)
Continuous Torque (gearbox output)	Nm (lbf·in)	2 (18)	4 (35)
Max. Current @ 72VDC	A _{pk} / A _{rms}	13.5 / 9.55	
Position Repeatability	°	±0.1	
Mechanical Data			
Overall length	mm (in)	620 (24.41)	
Diameter Linear Unit	mm (in)	37 (1.46)	
Diameter Rotary Unit	mm (in)	52 (2.05)	
Mass	g (lb)	5150 (11.35)	
Linear Moving mass	g (lb)	860 (5.29)	
Rotary Torque of Inertia	kgcm ² (lbF ²)	2 (0.0047)	
Axle Diameter	mm (in)	12h9 (0.47)	
Protection Class		IP54	

DIMENSIONS



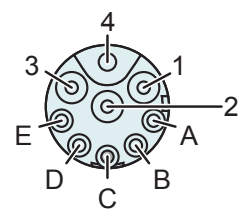
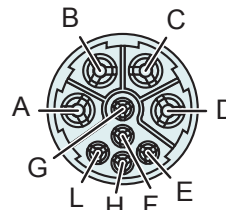
Dimensions in mm

10

CONNECTORS

Motor Connector Wiring	Linear Unit: C-Connector	Rotary Unit: R-Connector	Wire Color Motor Cable
Ph 1+	A	1	red
Ph 1-	B	2	pink
Ph 2+	C	3	blue
Ph 2-	D	4	grey
+5VDC	E	A	white
GND	F	B	inner shield
Sin	G	C	yellow
Cos	H	D	green
Temp.	L	E	black
Shield	Housing	Housing	outerShield

C-Connector



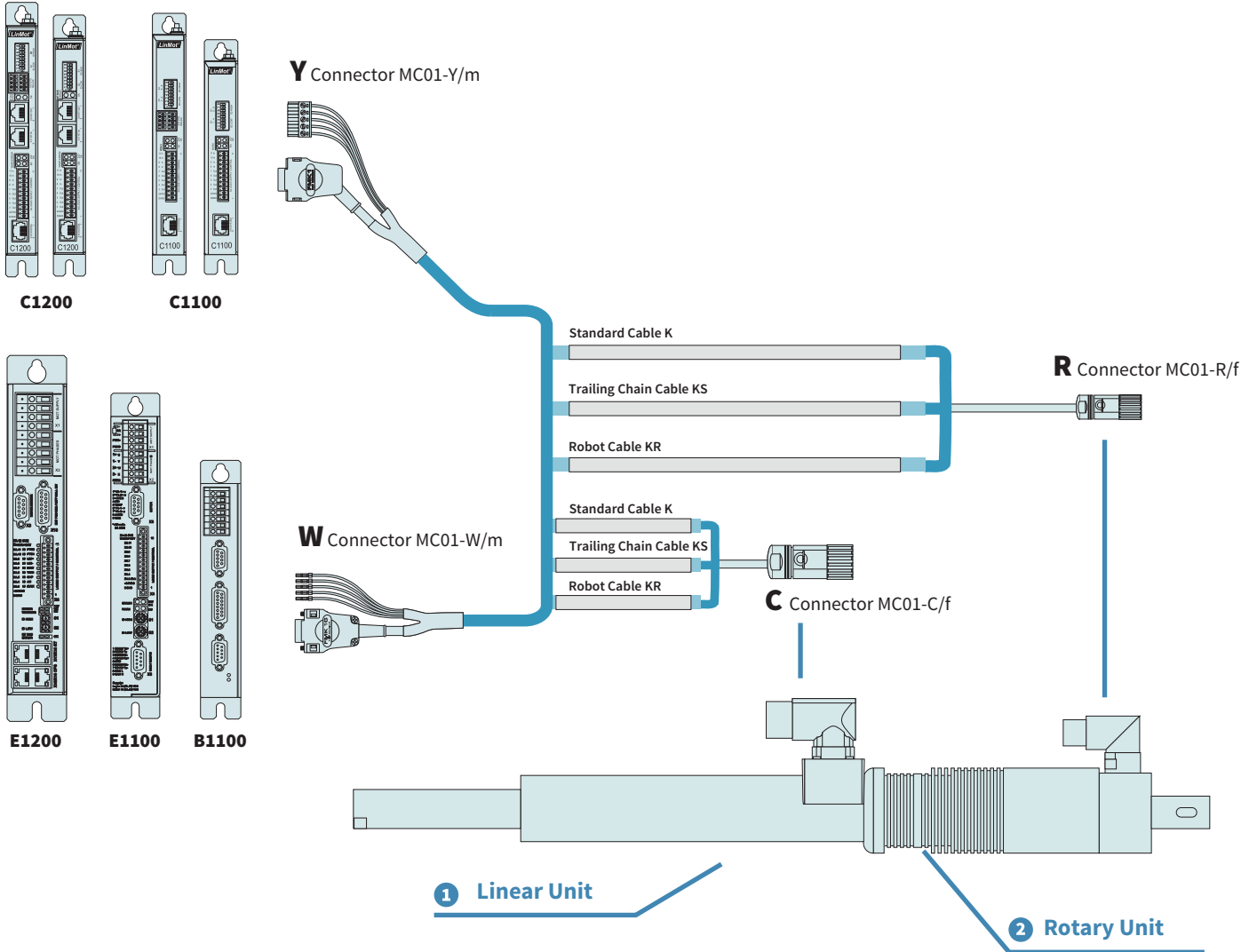
R-Connector

View: Motor connector, plug on

Item	Description	Item-No.
PR01-52x60-R/37x120F-HP-C-100-G05	Linear Rotary Motor with Gearbox 5:1	0150-2648
PR01-52x60-R/37x120F-HP-C-100-G10	Linear Rotary Motor with Gearbox 10:1	0150-2647

Accessories

MOTOR CABLE



10

ORDERING INFORMATION

1 Linear Unit

Standard Cable		
Item	Description	Item-No.
K05-W/C-2	Motor Cable W/C, 2 m	0150-2123
K05-W/C-4	Motor Cable W/C, 4 m	0150-2124
K05-W/C-6	Motor Cable W/C, 6 m	0150-2125
K05-W/C-8	Motor Cable W/C, 8 m	0150-2126
K05-W/C-	Motor Cable W/C, Custom length	0150-3263

K05-Y/C-2	Motor Cable Y/C, 2 m	0150-2425
K05-Y/C-4	Motor Cable Y/C, 4 m	0150-2426
K05-Y/C-6	Motor Cable Y/C, 6 m	0150-2427
K05-Y/C-8	Motor Cable Y/C, 8 m	0150-2428
K05-Y-Fe/C-	Motor Cable Y-Fe/C, Custom length	0150-3502

Robot Cable		
Item	Description	Item-No.
KR05-Y-Fe/C-	Robot Cable KR05-Y-Fe/C-, Custom length	0150-3513

Trailing Chain Cable		
Item	Description	Item-No.
KS05-W/C-4	Trailing Chain Cable W/C, 4 m	0150-2127
KS05-W/C-6	Trailing Chain Cable W/C, 6 m	0150-2128
KS05-W/C-8	Trailing Chain Cable W/C, 8 m	0150-2129
KS05-W/C-	Trailing Chain Cable W/C, Custom length	0150-3204

KS05-Y/C-4	Trailing Chain Cable Y/C, 4 m	0150-2436
KS05-Y/C-6	Trailing Chain Cable Y/C, 6 m	0150-2437
KS05-Y/C-8	Trailing Chain Cable Y/C, 8 m	0150-2438
KS05-Y-Fe/C-	Trailing Chain Cable Y/C, Custom length	0150-3508

Connector & Cable (individual)		
Item	Description	Item-No.
MC01-C/f	Motor connector C/f	0150-3080
MC01-W/m	Motor connector W/m	0150-3140
MC01-Y-Fe/m	Motor connector Y-Fe/m	0150-3289
K05-04/05	Motor Cable per m	0150-1920
KS05-04/05	Trailing Chain Cable per m	0150-1938
KR05-04/05	Robot Cable per m	0150-1846

2 Rotary Unit

Standard Cable		
Item	Description	Item-No.
K05-W/R-2	Motor Cable W/R, 2 m	0150-2119
K05-W/R-4	Motor Cable W/R, 4 m	0150-2120
K05-W/R-6	Motor Cable W/R, 6 m	0150-2121
K05-W/R-8	Motor Cable W/R, 8 m	0150-2122
K05-W/R-	Motor Cable K05-W/R, Custom length	0150-3262

K05-Y/R-2	Motor Cable Y/R, 2 m	0150-2421
K05-Y/R-4	Motor Cable Y/R, 4 m	0150-2422
K05-Y/R-6	Motor Cable Y/R, 6 m	0150-2423
K05-Y/R-8	Motor Cable Y/R, 8 m	0150-2424
K05-Y-Fe/R-	Motor Cable K05-Y-Fe/R, Custom length	0150-3501

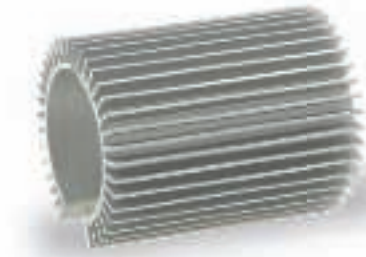
Robot Cable		
Item	Description	Item-No.
KR05-W/R-	Robot Cable KR05-W/R, Custom length	0150-3336
KR05-Y-Fe/R-	Robot Cable KR05-Y-Fe/R, Custom length	0150-3512

Trailing Chain Cable		
Item	Description	Item-No.
KS05-W/R-4	Trailing Chain Cable W/R, 4 m	0150-2106
KS05-W/R-6	Trailing Chain Cable W/R, 6 m	0150-2131
KS05-W/R-8	Trailing Chain Cable W/R, 8 m	0150-2107
KS05-W/R-	Trailing Chain Cable KS05-W/R, Custom length	0150-3256

KS05-Y/R-4	Trailing Chain Cable Y/R, 4 m	0150-2433
KS05-Y/R-6	Trailing Chain Cable Y/R, 6 m	0150-2434
KS05-Y/R-8	Trailing Chain Cable Y/R, 8 m	0150-2435
KS05-Y-Fe/R-	Trailing Chain Cable KS05-Y-Fe/R, Custom length	0150-3507

Connector & Cable (individual)		
Item	Description	Item-No.
MC01-R/f	Motor cable R/f	0150-3129
MC01-W/m	Motor cable W/m	0150-3140
MC01-Y-Fe/m	Motor cable Y-Fe/m	0150-3289
K05-04/05	Motor Cable per m	0150-1920
KS05-04/05	Trailing Chain Cable per m	0150-1938
KR05-04/05	Robot Cable per m	0150-1846

COOLING PROFILE



Item	Description	Item-No.
PC01-37x68	Cooling profile for PS01-37 Linear Motor	0160-2131

FLANGE



Item	Description	Item-No.
PF02-37x100	Flange 37x100 mm	0150-1998
PF02-37x140	Flange 37x140 mm	0150-2105

FAN COOLING FOR LINEAR UNIT



Item	Description	Item-No.
HV01-37/48	Fan cooling for H01-37/48 & PF02-37/48	0150-5051

10

FAN COOLING FOR ROTARY UNIT



Item	Description	Item-No.
RS01-VA52-Kit	Fan Kit for RS01-52 Linear Rotary Motor	0150-1599

MOUNTING FLANGE



Item	Description	Item-No.
MF01-PR01-52x40-20	Mounting Flange MS01-20-140	0250-2322
MF01-PR01-52x40-37	Mounting Flange MS01-37-155	0250-2319

MAGSPRING ADAPTER



Item	Description	Item-No.
MA01-PR01-52-37/20	MagSpring Adapter for Linear Rotary Motors	0250-0128

BRAKE KIT



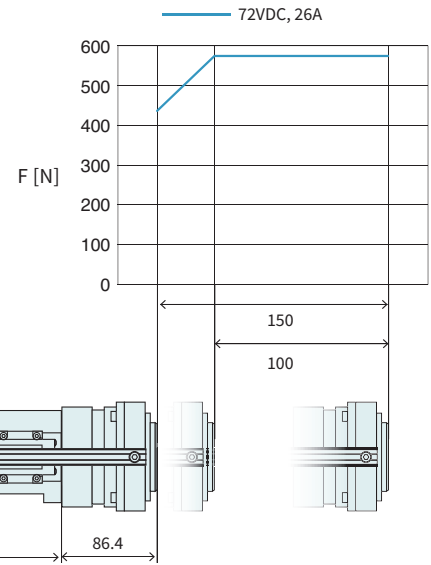
Item	Description	Item-No.
MF01-BK52	Brake Kit for PR01-52 Linear Rotary Motor	0250-2344

10

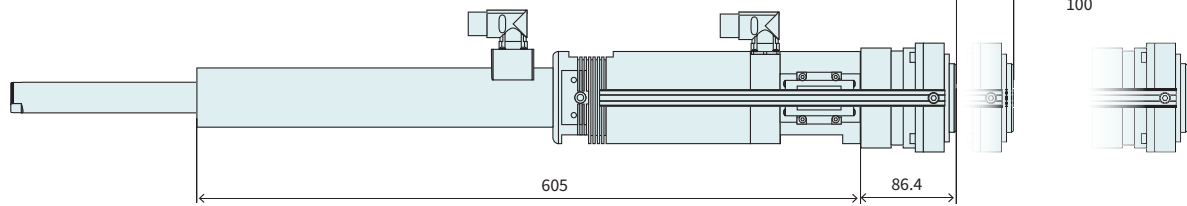
Area with horizontal dotted lines for notes.

PR01-84x80-C/48x240F-C-150-G...

Max. Stroke: 150 mm
Peak Force: 572 N



Dimensions in mm

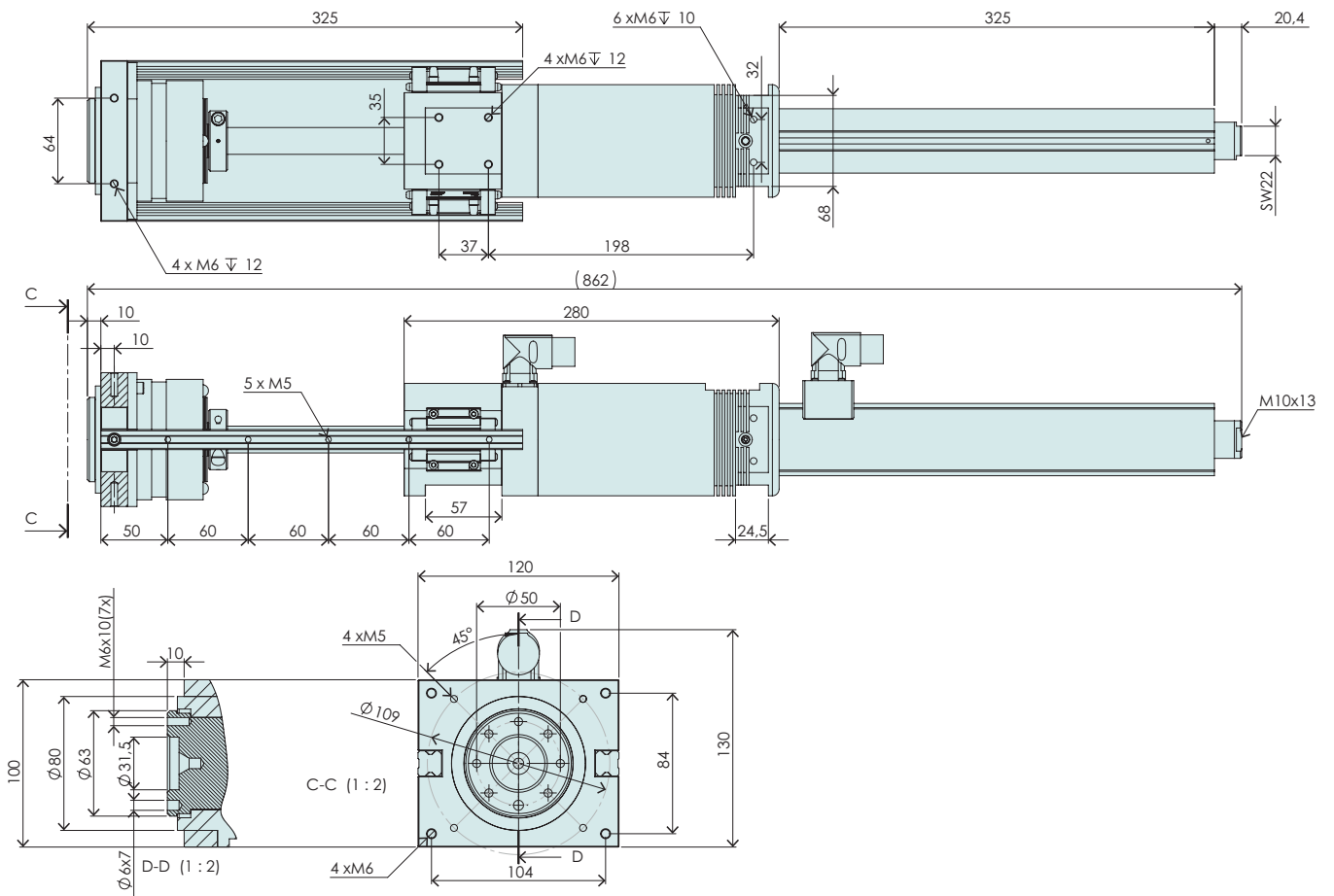


Motor Specifications

		PR01-84x80-C/ 48x240F-C-150-G05	PR01-84x80-C/ 48x240F-C-150-G07	PR01-84x80-C/ 48x240F-C-150-G10
Linear Motion				
Extended Stroke ES	mm (in)		150 (5.91)	
Standard Stroke SS	mm (in)		100 (3.94)	
Peak Forc E12x0 - UC	N (lbf)		572 (128.6)	
Constant Force	N (lbf)		145 (32.6)	
Constant Force Fan cooling	N (lbf)		255 (57.3)	
Force Constant	N/A _{pk} (lbf/A _{pk})		22 (4.9)	
Max. Current @ 72VDC	A _{pk}		26	
Max. Velocity @ 72VDC	m/s (in/s)		3 (118)	
Position Repeatability	mm (in)		+/- 0.05 (-0.002)	
Linearity	%		+/- 0.15	
Rotary Motion				
Peak Torque	Nm (lbfm)		8.9 (78)	
Constant Torque (Halt)	Nm (lbfm)		1.9 (17)	
Max. Number of revolutions	rpm		1000	
Torque Constant 1	Nm/A _{pk} (lbfm/A _{pk})		0.36 (3.19)	
Torque Constant 2	Nm/A _{rms} (lbfm/A _{rms})		0.5035 (4.46)	
Gear Ratio	i	5	7	10
Max. Revolution (gearbox output)	U/min	200	142	100
Peak Torque (gearbox output)	Nm (lbfm)	40 (354)	56 (496)	75 (664)
Continuous Torque (gearbox output)	Nm (lbfm)	8.5 (75)	12 (106)	17 (150)
Max. Current @ 72VDC	A _{pk} / A _{rms}		25 / 17.68	
Position Repeatability	°		+/- 0.05°(*/-3°)	
Mechanical Data				
Overall length	mm (in)		862 (33.94)	
Diameter Linear Unit	mm (in)		48 (1.89)	
Diameter Rotary Unit	mm (in)		84 (3.31)	
Mass	g (lb)		13'000 (28.66)	
Linear Moving mass	g (lb)		6'730 (14.84)	
Rotary Torque of Inertia	kgcm ² (lbF ²)		2.3 (20.34)	
Protection Class			IP54	

* mit Servo Drive E1250-UC

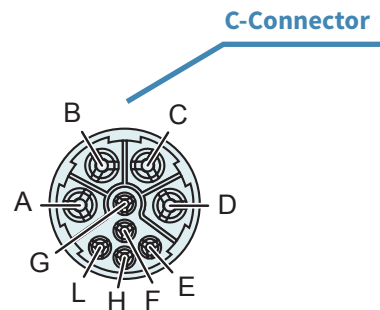
DIMENSIONS



Dimensions in mm

CONNECTORS

Motor Connector Wiring	Linear Unit: C-Connector	Rotary Unit: C-Connector	Wire Color Motor Cable
Ph 1+	A	A	red
Ph 1-	B	B	pink
Ph 2+	C	C	blue
Ph 2-	D	D	grey
+5VDC	E	E	white
GND	F	F	inner shield
Sin	G	G	yellow
Cos	H	H	green
Temp.	L	L	black
Shield	Housing	Housing	outer Shield

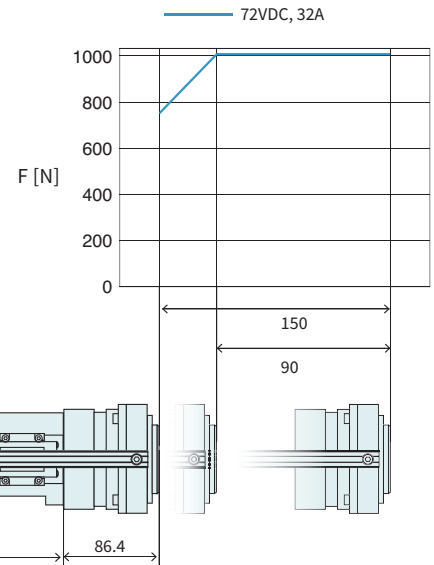


View: Motor connector, plug on

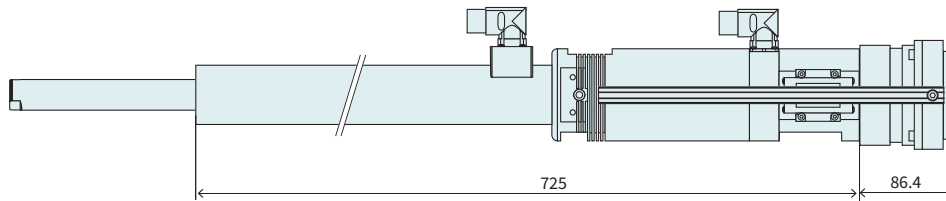
Item	Description	Item-No.
PR01-84x80-C-G/48x240F-C-150-G05	Linear Rotary Motor with Gearbox 5:1	0150-2531
PR01-84x80-C-G/48x240F-C-150-G07	Linear Rotary Motor mit Getriebe 7:1	0150-2532
PR01-84x80-C-G/48x240F-C-150-G10	Linear Rotary Motor with Gearbox 10:1	0150-2533

PR01-84x80-C/48x360F-C-150-G...

Max. Stroke: 150 mm
Peak Force: 1024 N



Dimensions in mm

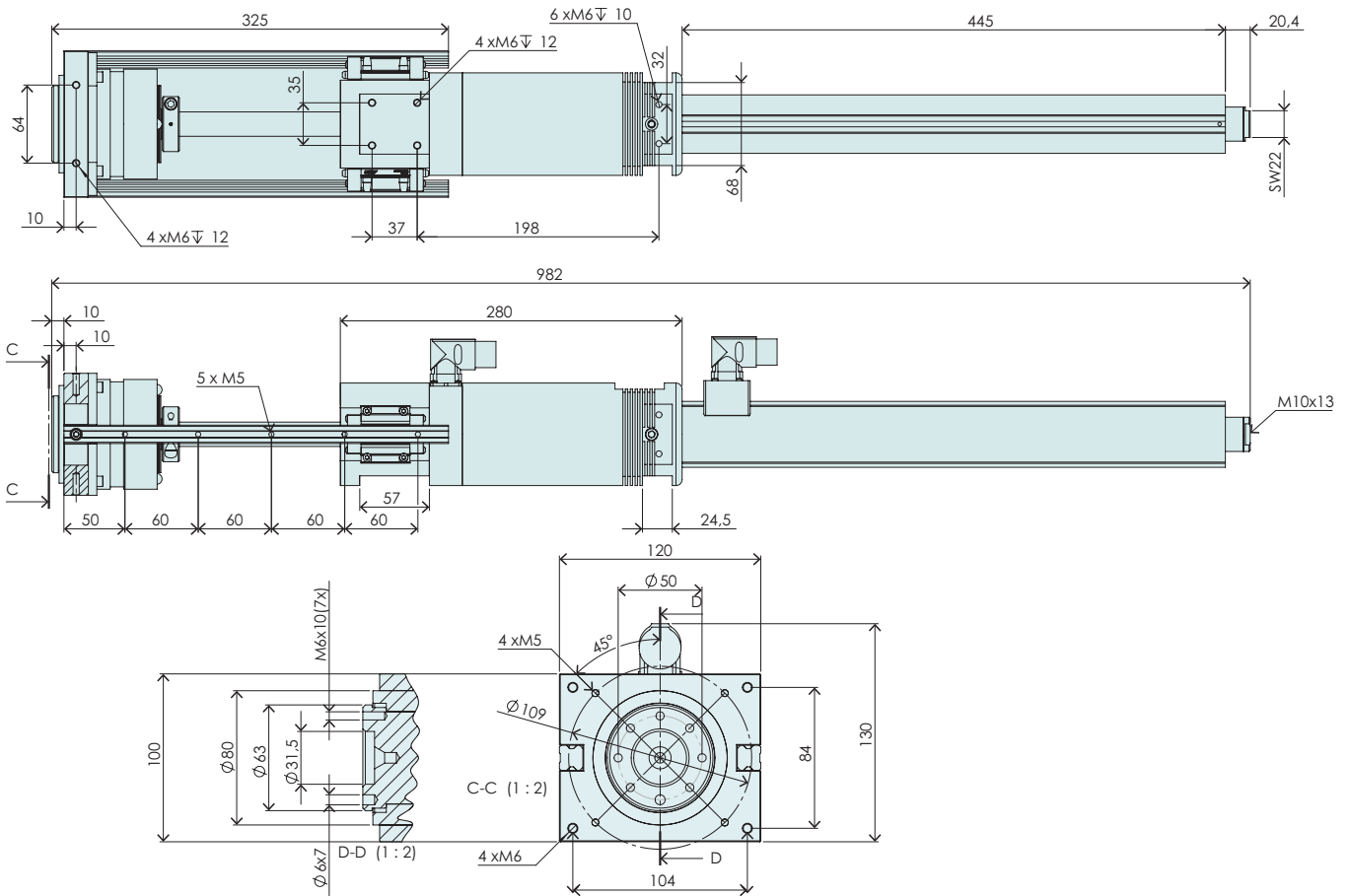


Motor Specifications

		PR01-84x80-C/ 48x360F-C-150-G05	PR01-84x80-C/ 48x360F-C-150-G07	PR01-84x80-C/ 48x360F-C-150-G10
Linear Motion				
Extended Stroke ES	mm (in)		150 (5.91)	
Standard Stroke SS	mm (in)		100 (3.94)	
Peak Forc E12x0 - UC	N (lbf)		1024 (230.2)	
Constant Force	N (lbf)		203 (45.6)	
Constant Force Fan cooling	N (lbf)		354 (79.6)	
Force Constant	N/A _{pk} (lbf/A _{pk})		32 (7.2)	
Max. Current @ 72VDC	A _{pk}		32	
Max. Velocity @ 72VDC	m/s (in/s)		2.1 (82)	
Position Repeatability	mm (in)		+/- 0.05 (0.002)	
Linearity	%		+/- 0.15	
Rotary Motion				
Peak Torque	Nm (lbf·in)		8.9 (78)	
Constant Torque (Halt)	Nm (lbf·in)		1.9 (17)	
Max. Number of revolutions	rpm		1000	
Torque Constant 1	Nm/A _{pk} (lbf·in/A _{pk})		0.36 (3.19)	
Torque Constant 2	Nm/A _{rms} (lbf·in/A _{rms})		0.5035 (4.46)	
Gear Ratio	i	5	7	10
Max. Revolution (gearbox output)	U/min	200	142	100
Peak Torque (gearbox output)	Nm (lbf·in)	40 (354)	56 (496)	75 (664)
Continuous Torque (gearbox output)	Nm (lbf·in)	8.5 (75)	12 (106)	17 (150)
Max. Current @ 72VDC	A _{pk} / A _{rms}		25 / 17.68	
Position Repeatability	°		+/- 0.05° (*/-3°)	
Mechanical Data				
Overall length	mm (in)		982 (33.94)	
Diameter Linear Unit	mm (in)		48 (1.89)	
Diameter Rotary Unit	mm (in)		84 (3.31)	
Mass	g (lb)		14'600 (32.19)	
Linear Moving mass	g (lb)		7'330 (16.16)	
Rotary Torque of Inertia	kgcm ² (lb·ft ²)		2.3 (20.34)	
Protection Class			IP54	

* mit Servo Drive E1250-UC

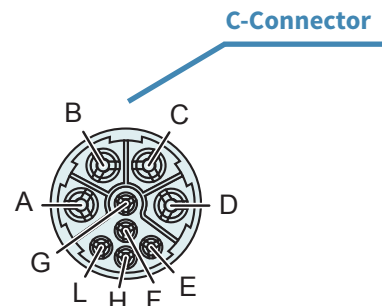
DIMENSIONS



Dimensions in mm

CONNECTORS

Motor Connector Wiring	Linear Unit: C-Connector	Rotary Unit: C-Connector	Wire Color Motor Cable
Ph 1+	A	A	red
Ph 1-	B	B	pink
Ph 2+	C	C	blue
Ph 2-	D	D	grey
+5VDC	E	E	white
GND	F	F	inner shield
Sin	G	G	yellow
Cos	H	H	green
Temp.	L	L	black
Shield	Housing	Housing	outer Shield

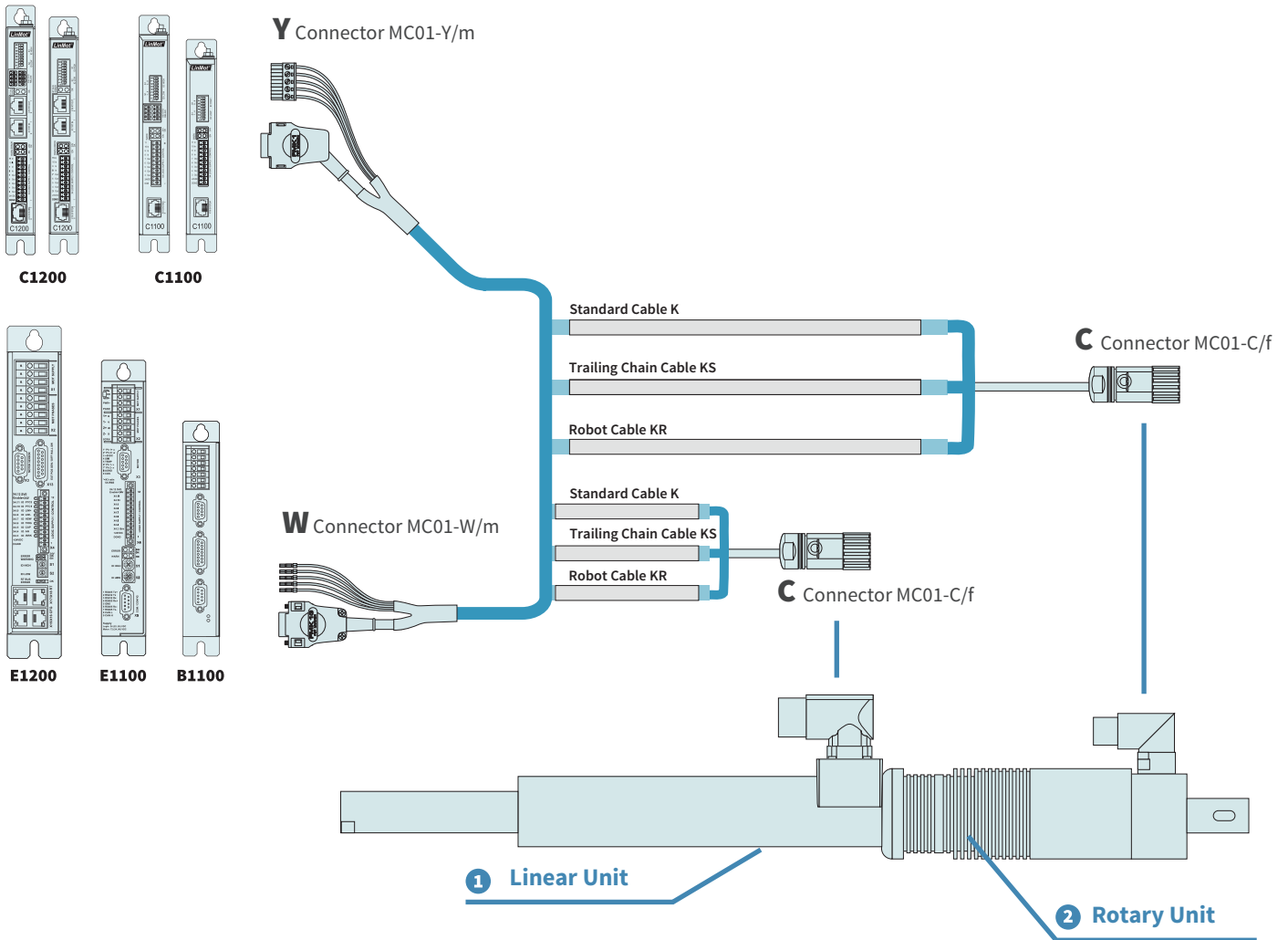


View: Motor connector, plug on

Item	Description	Item-No.
PR01-84x80-C-G/48x360F-C-150-G05	Linear Rotary Motor with Gearbox 5:1	0150-2535
PR01-84x80-C-G/48x360F-C-150-G07	Linear Rotary Motor with Gearbox 7:1	0150-2536
PR01-84x80-C-G/48x360F-C-150-G10	Linear Rotary Motor with Gearbox 10:1	0150-2537

Accessories

MOTOR CABLE



10

ORDERING INFORMATION

1 2 Linear Unit / Rotary Unit

Standard Cable		
Item	Description	Item-No.
K15-W/C-2	Motor Cable W/C, 2 m	0150-1811
K15-W/C-4	Motor Cable W/C, 4 m	0150-1801
K15-W/C-6	Motor Cable W/C, 6 m	0150-1802
K15-W/C-8	Motor Cable W/C, 8 m	0150-1803
K15-W/C-	Motor Cable K15-W/C, Custom length	0150-3131

K15-Y/C-2	Motor Cable Y/C, 2 m	0150-2429
K15-Y/C-4	Motor Cable Y/C, 4 m	0150-2430
K15-Y/C-6	Motor Cable Y/C, 6 m	0150-2431
K15-Y/C-8	Motor Cable Y/C, 8 m	0150-2432
K15-Y-Fe/C-	Motor Cable K15-Y-Fe/C, Custom length	0150-3506

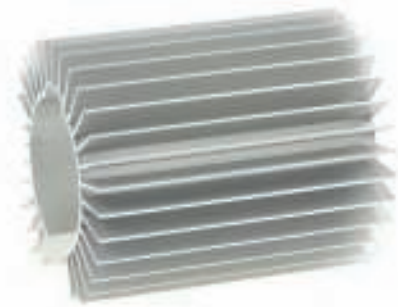
Robot Cable		
Item	Description	Item-No.
KR10-W/C-	Robot Cable KR10-W/C, Custom length	0150-3199
KR10-Y-Fe/C-	Robot Cable KR10-Y-Fe/C, Custom length	0150-3515

Trailing Chain Cable		
Item	Description	Item-No.
KS10-W/C-4	Trailing Chain Cable W/C, 4 m	0150-1807
KS10-W/C-6	Trailing Chain Cable W/C, 6 m	0150-1858
KS10-W/C-8	Trailing Chain Cable W/C, 8 m	0150-1808
KS10-W/C-	Trailing Chain Cable KS10-W/C, Custom length	0150-3139

KS10-Y/C-4	Trailing Chain Cable Y/C, 4 m	0150-2439
KS10-Y/C-6	Trailing Chain Cable Y/C, 6 m	0150-2440
KS10-Y/C-8	Trailing Chain Cable Y/C, 8 m	0150-2441
KS10-Y-Fe/C-	Trailing Chain Cable KS10-Y-Fe/C, Custom length	0150-3511

Connector & Cable (individual)		
Item	Description	Item-No.
MC01-C/f	Motor connector C/f	0150-3080
MC01-W/m	Motor connector W/m	0150-3140
MC01-Y-Fe/m	Motor connector Y-Fe/m	0150-3289
K15-04/05	Motor Cable per m	0150-1978
KS10-04/05	Trailing Chain Cable per m	0150-1977
KR10-04/05	Robot Cable per m	0150-1830

COOLING PROFILE



Item	Description	Item-No.
PC01-48x100	Cooling profile for PS01-48 Linear Motor	0160-2145
PC01-48x117	Cooling profile for PS01-48 Linear Motor	0160-2138

FLANGE



Item	Description	Item-No.
PF01-48x120	Flange 48x120 mm	0150-1976
PF01-48x226	Flange 48x226 mm	0150-2108

FAN COOLING FOR LINEAR UNIT



Item	Description	Item-No.
HV01-37/48	Fan cooling for H01-37/48 & PF01-48	0150-5051

10

FAN COOLING FOR ROTARY UNIT



Item	Description	Item-No.
RS01-VA84-Kit	Fan Kit for RS01-84 Rotary Motors	0150-1600

MOUNTING FLANGE



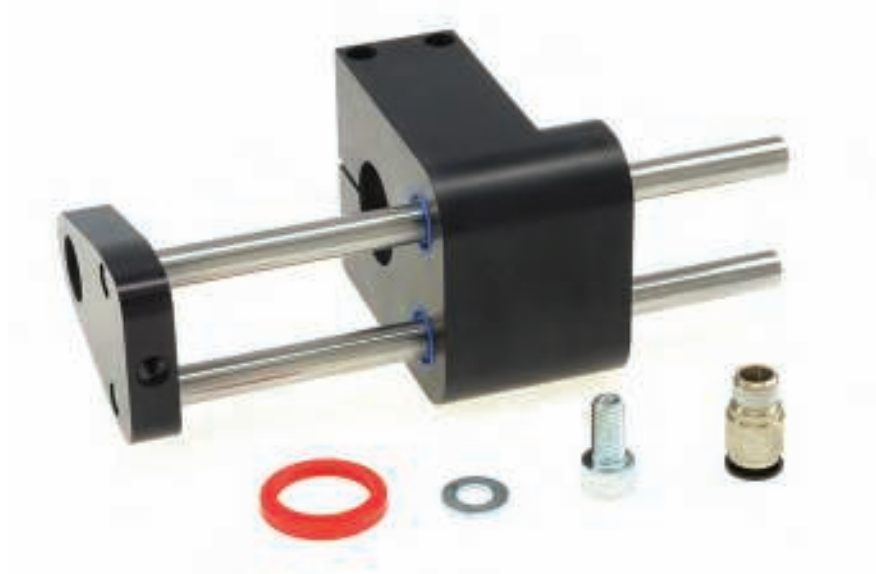
Item	Description	Item-No.
MF01-PR01-84x80-37-1	MagSpring Mounting Flange for Linear Rotary Motors UNO	0250-2337
MF01-PR01-84x80-37-2	MagSpring Mounting Flange for Linear Rotary Motors DUO	0250-2338

MAGSPRING ADAPTER



Item	Description	Item-No.
MA01-PR01-84x80-37-1	MagSpring Adapter for Linear Rotary Motors UNO	0250-2341
MA01-PR01-84x80-37-2	MagSpring Adapter for Linear Rotary Motors DUO	0250-2340

CAM KIT



Item	Description	Item-No.
MF01-PK84	Motor Cam Kit for Linear Rotary Motor	0250-2324

Area with horizontal dotted lines for notes.

LINEAR ROTARY MOTORS PR02-52



- ✓ New design principle with shorter installation length
- ✓ Linear Rotary Motor with integrated additional component "MagSpring"
- ✓ With magnetic spring "MagSpring" optimal for vertical application
- ✓ Independent linear and rotary motions
- ✓ Max. Stroke up to 100 mm

Product description

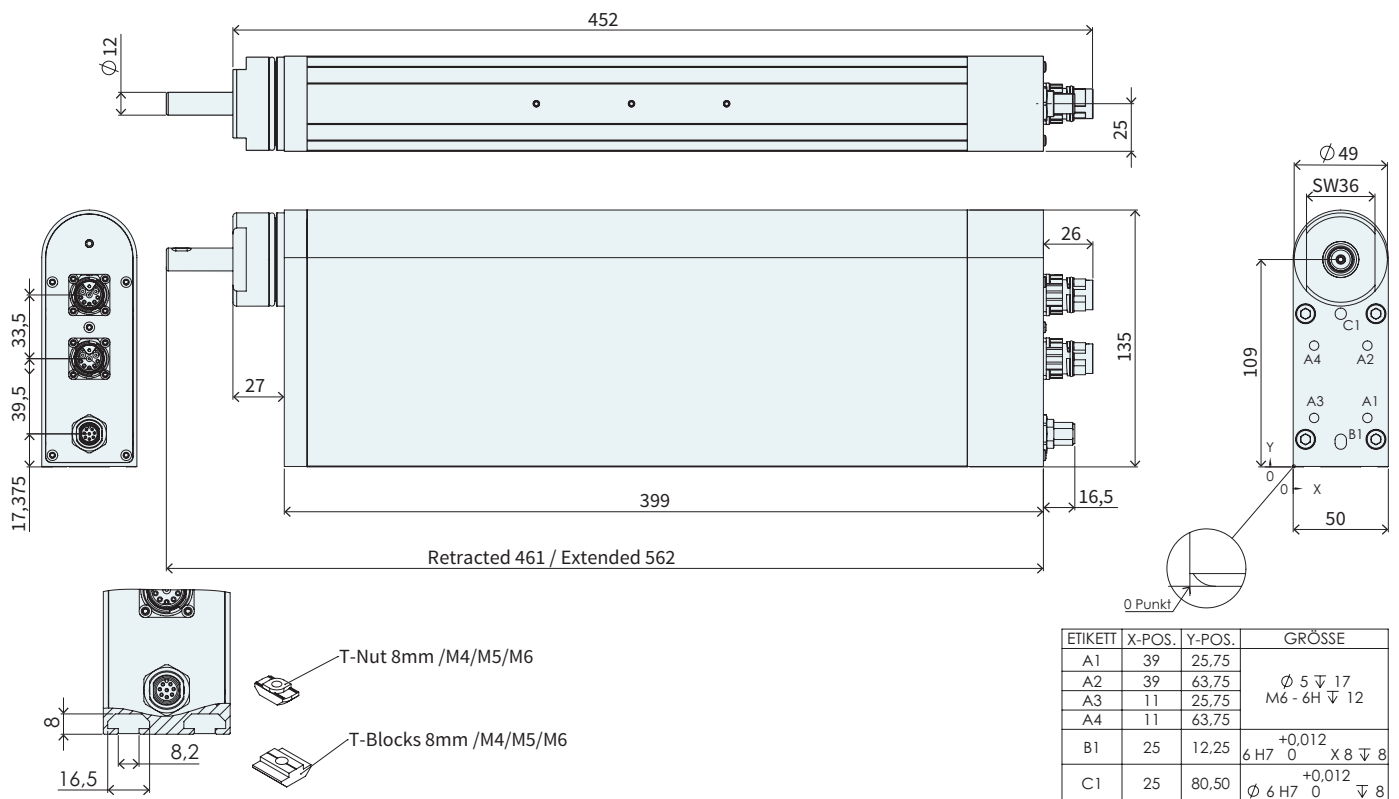
LinMot is expanding its product portfolio of Linear Rotary Motors by another type. The model PR02 is characterized by a new design principle, in which a further additional component in the motor. In a common housing is besides the Linear Motor and the Rotary motor as well a magnetic spring "MagSpring". The user thus benefiting on one hand from the shortened installation length of the total unit, on the other from the advantage of being able to perform vertical applications better. The MagSpring used ensures that the weight of the moving load is pas-

sively compensated. In the currentless state, the lowering of the axis is thus effectively prevented.

The performance data of the PR02-52 correspond to the long-established PR01-52x60-R / 37x120F-HP-C-100, which guarantees a maximum stroke of 100mm. In addition, the linear and rotary motor produce a maximum force of 255N and a maximum torque of 2.2Nm.



DIMENSIONS



MAX. STROKE

