

# LINEAR MOTORS P01 / P02



**Profilex**  
SYSTEMS

**Profilex s.a.**

6b, Z.I. In den Allern  
L-9911 Troisvierges  
Phone LU : +352 99 89 06  
Phone BE : +32 28 88 16 29  
Fax : +352 26 95 73 73

[info@profilex-systems.com](mailto:info@profilex-systems.com)  
[www.profilex-systems.com](http://www.profilex-systems.com)

LinMot P01 and P02 linear motors are linear direct drives for highly dynamic motions and a wide range of applications.

## Product Description

3

The P01 and P02 linear motors are linear direct drives with standard, short, and high-performance versions. Users can choose from a total of 7 sizes with a closely spaced range of sliders. This results in a large number of stroke and force ranges for any positioning task.

Typical applications include rapid positioning, lifting, and sliding motions, synchronous pick-and-place applications, and complete gantry-style palletizing robots.



### Standard Motors P01 / P02

The standard variant of the linear motor covers a wide range of applications. The compact drives are used to perform a many different positioning tasks in the low-voltage range. The stators are available with a rotating IP67 angle plug or a cable outlet. This makes them easy to install, even under difficult space constraints.



### HP Motors P01

In comparison with standard motors, high-performance linear motors have substantially higher power output for the same form factor and identical dimensions. This is produced by advancements in the motor windings and in the magnetic circuit, and by the use of high-performance materials. The user can access nearly double the rated power.



### Short Type Motors P01 / P02

This type of motor is the shortest form factor among LinMot linear motors. Short motors were developed specially for applications with limited available space. In order to provide designers with as much flexibility as possible for cable routing, these motors are shipped with three covers (cable output on the left, right, or front).

## Characteristics

### FREELY POSITIONABLE

LinMot linear motors can be freely positioned. With absolute or relative movement commands, they can move to any desired position in the stroke range. Since the LinMot linear drive is a closed-loop system, not only the end positions are monitored, but also deviations in position during travel. This allows, among other things, precise specification of travel speeds, acceleration and braking ramps, and travel through curved paths.

### HIGH AND CONTROLLED DYNAMICS

Max. acceleration values over 500 m/s<sup>2</sup> and travel speeds over 5 m/s allow cyclical motion sequences of several Hertz

For handling applications with sensitive products, such as transporting wafers in semiconductor production, very gentle, smooth motions with suitable accelerations can be obtained.

### PROCESS STABILITY

Since not only the end positions, but also speed and acceleration are controlled and monitored, motions that are programmed once are carried out the same way over the entire life of the machine.

### SYNCHRONIZATION

For synchronous machines, the linear motor can be synchronized to the main shaft. By replacing mechanical cam discs with LinMot linear motors, for example, great variations can be achieved, with format changeovers at the push of a button.

### OVERLOAD PROTECTION

There are no mechanical components for force transfer that could be damaged in a crash or stall condition in a linear motor. Complex, expensive designs to protect gearboxes, gears, and shafts are thus eliminated. If the linear motor stalls, it acts like a pneumatic cylinder and tries to reach the target position with maximum force. The following error monitor in the drive can, however, immediately recognize a stall condition. Temperature sensors integrated in the stator prevent the drive from overloading in any case.

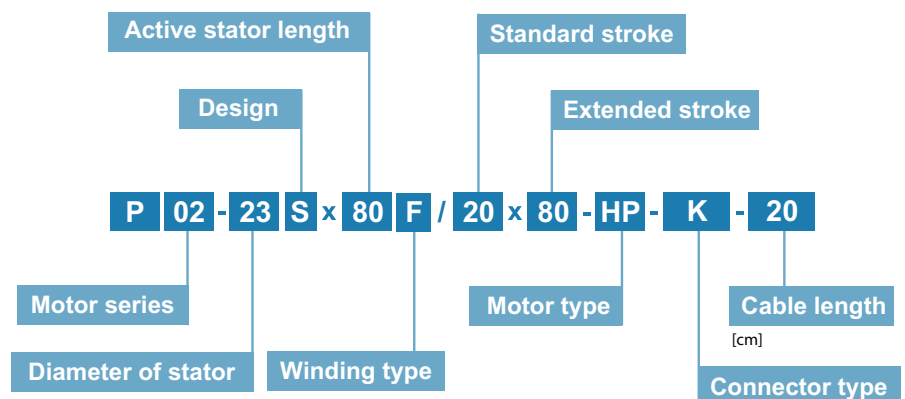
### LONG LIFESPAN

Since the linear motion is generated purely magnetically, and no mechanical force transmission takes place, even extremely dynamic applications can be implemented with a long lifespan.

### SIMPLE INSTALLATION

The connection between the motor and the Servo Drive requires only a single cable. Since all motors have a Connector either directly on the motor or at the end of the motor cable, installation is as simple as you might think. Motor cables are available from stock in various lengths, in different versions. The standard cable is suitable for stationary applications. For applications with moving stators, high-flex motor cables are available for use with cable tracks, and robotic cables are available for applications with cable torsion.

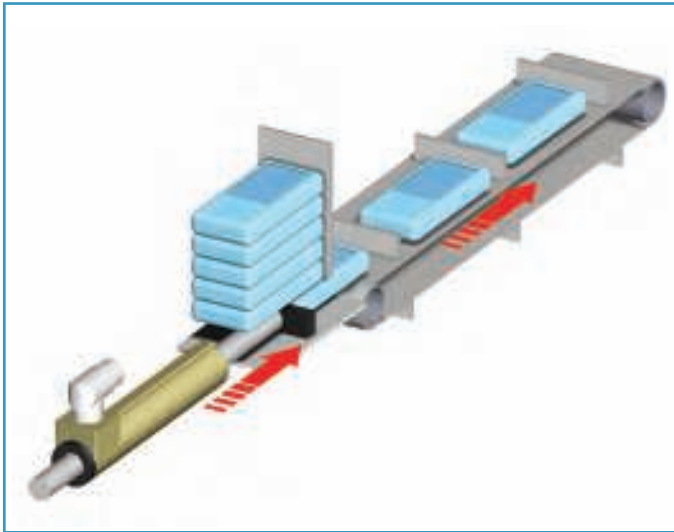
## Type Code Linear Motors



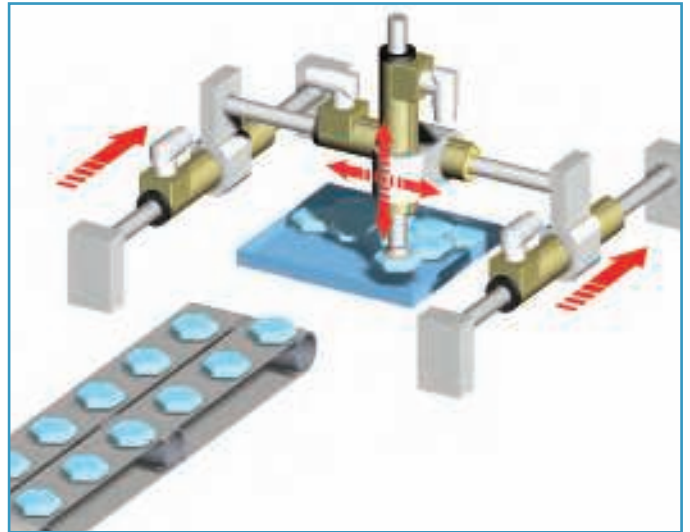
For explanations of the terms, please refer to the section "Glossary"

### Sample applications

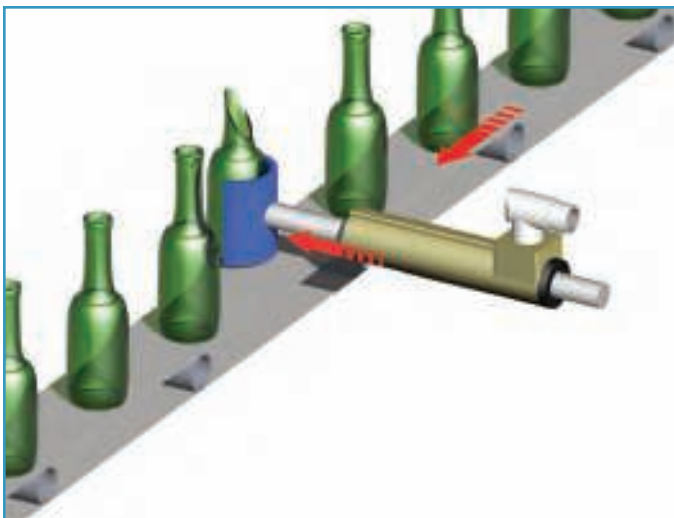
3



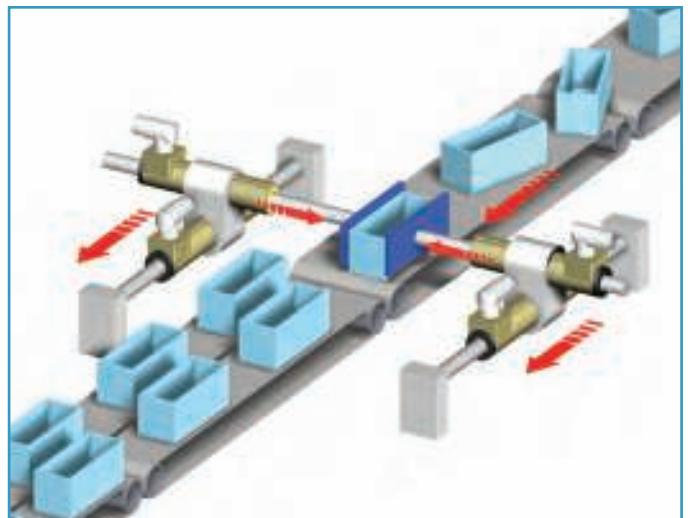
**Feeding**



**Pick and Place**



**Sorting**



**Alignment**



# LINEAR MOTORS P01-23x80



- ✓ Highly dynamic drives
- ✓ Wide stroke range
- ✓ Available with cable outlet or with rotatable connector
- ✓ Optional with air cooling
- ✓ Wide range of applications in handling modules as well as in plant and machine construction

## LINEAR MOTORS P01-23x80

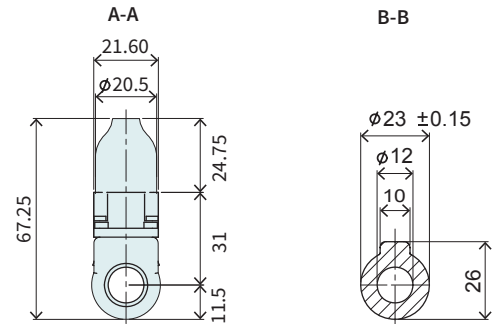
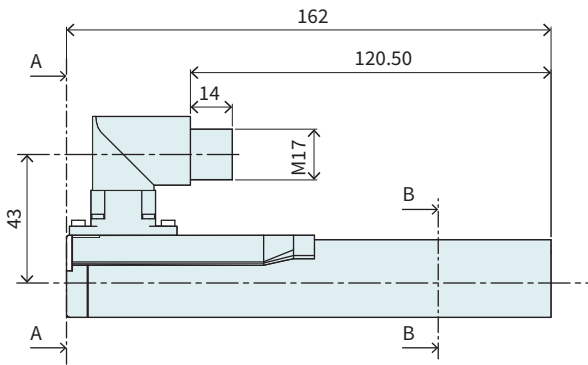
<b>Technical Data</b>	<b>29</b>
<b>Motor Specifications</b>	
P01-23x80/0x60-LC	<b>32</b>
P01-23x80/40x100-LC	<b>33</b>
P01-23x80/60x120-LC	<b>34</b>
P01-23x80/100x160-LC	<b>35</b>
P01-23x80/160x220-LC	<b>36</b>
P01-23x80/220x280-LC	<b>37</b>
P01-23x80/290x350-LC	<b>38</b>
P01-23x80/350x410-LC	<b>39</b>
P01-23x80/450x510-LC	<b>40</b>
P01-23x80/630x690-LC	<b>41</b>
P01-23x80/720x780-LC	<b>42</b>
<b>Linear Guides</b>	<b>43</b>
<b>Accessories</b>	<b>44</b>



### MOTOR FAMILY P01-23x80

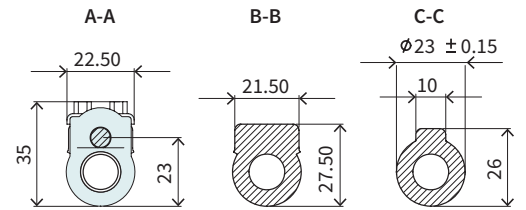
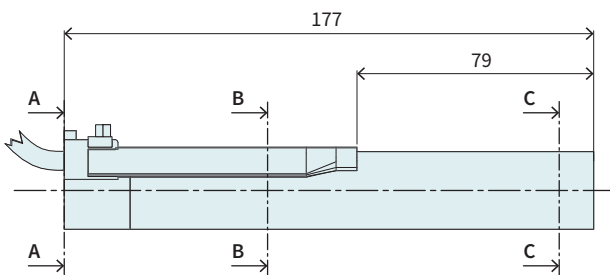
Technical Data				
<b>Stroke</b>				
Standard Stroke (SS)	mm (in)		≤ 720	(≤ 28.3)
Extended Stroke (ES)	mm (in)		≤ 780	(≤ 30.69)
<b>Force</b>				
Max. Force @ 48VDC	N (lbf)		41.6	(9.35)
Max. Force @ 72VDC	N (lbf)		44	(9.89)
Max. Cont. Force [Passive cooling/ Fan / Fluid]	N (lbf)		8.6 / 16 / -	(1.9 / 3.5 / -)
Max. Border Force relative	%		≤ 63	
Force Constant	N/A <sub>pk</sub> (lbf/A <sub>pk</sub> )		11	(2.47)
<b>Velocity</b>				
Max. Velocity @ 48VDC	m/s (in/s)		3.9	(159.9)
Max. Velocity @ 72VDC	m/s (in/s)		5.9	(239.9)
<b>Position Detection</b>				
Position Resolution	mm (in)		0.002	(0.0001)
Repeatability	mm (in)		±0.05	(±0.002)
Position Resolution with ES	mm (in)		0.001	(0.00004)
Repeatability with ES	mm (in)		±0.01	(±0.0004)
Linearity with ES	mm (in)		±0.01	(±0.0004)
<b>Electrical Data</b>				
Max. Current @ 48VDC	A <sub>pk</sub>		3.7	
Max. Current @ 72VDC	A <sub>pk</sub>		3.9	
Max. Cont. Current [Passive cooling / Fan / Fluid]	A <sub>pk</sub>		0.78 / 1.4 / -	
Terminal Resistance 25 °C / 120 °C	Ohm		10 / 14	
Terminal Inductivity	mH		1.4	
Magnetic Period	mm (in)		20	(0.78)
<b>Thermal Data</b>				
Max. Winding Temperature (Sensor)	°C		90	
Thermal Resistance [Passive cooling / Fan / Fluid]	°K/W		6.4 / 1.9 / -	
Thermal Time Constant [Passive cooling / Fan / Fluid]	s		770 / 230 / -	
<b>Mechanical Data</b>				
Stator Diameter	mm (in)		23	(0.91)
Stator Length [Connector type / Cable type]	mm (in)		162 / 177	(6.4 / 7)
Stator Mass	g (lb)		265	(0.58)
Slider Diameter	mm (in)		12	(0.47)
Slider Length	mm (in)		130 - 850	(5.1 - 33)
Slider Mass	g (lb)		90 - 700	(0.20 - 1.5)
IP Code			IP 65	

**STATOR CONNECTOR TYPE**



Item	Description	Item-No.
<b>PS01-23x80-R</b>	Stator with IP67 Connector M17/9(m)	0150-1233

**STATOR CABLE TYPE**

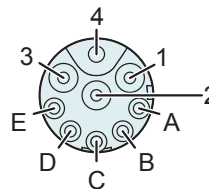


Item	Description	Item-No.
<b>PS01-23x80-R20</b>	Stator, 0.2 m cable, IP67 con. M17/9(m)	0150-1241
<b>PS01-23x80</b>	Stator, cable 1 m, Connector D-Sub-9(m)	0150-1201

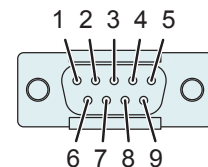
**CONNECTOR**

Motor Connector Wiring	PS01-23x80-R PS01-23x80-R20	PS01-23x80	Wire color motor cable
	R-Connector	D-Connector	
Ph 1+	1	1	red
Ph 1-	2	6	pink
Ph 2+	3	2	blue
Ph 2-	4	7	grey
+5VDC	A	3	white
GND	B	8	inner shield
Sin	C	4	yellow
Cos	D	9	green
Temp.	E	5	black
Shield	Housing	Housing	outer Shield

**R-Connector**



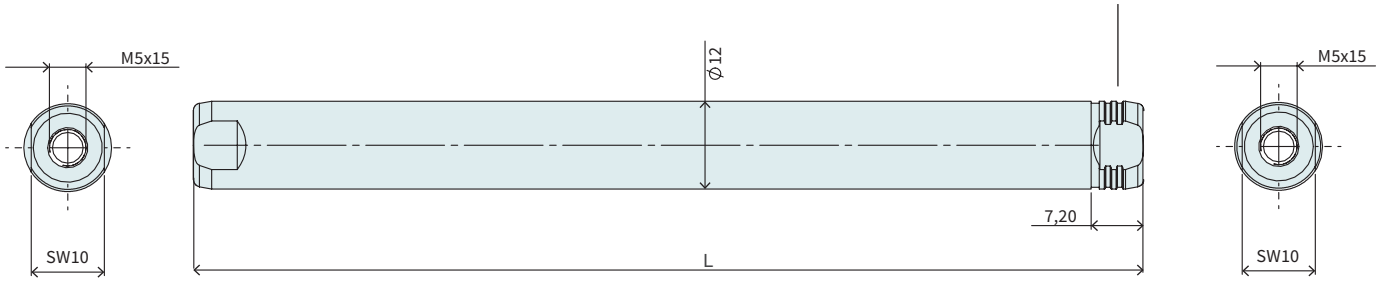
**D-Connector**



View: Motor Connector, plug side

**SLIDER**

Number of grooves determines the slider type (see chapter 2 / slider) and marks the front end.



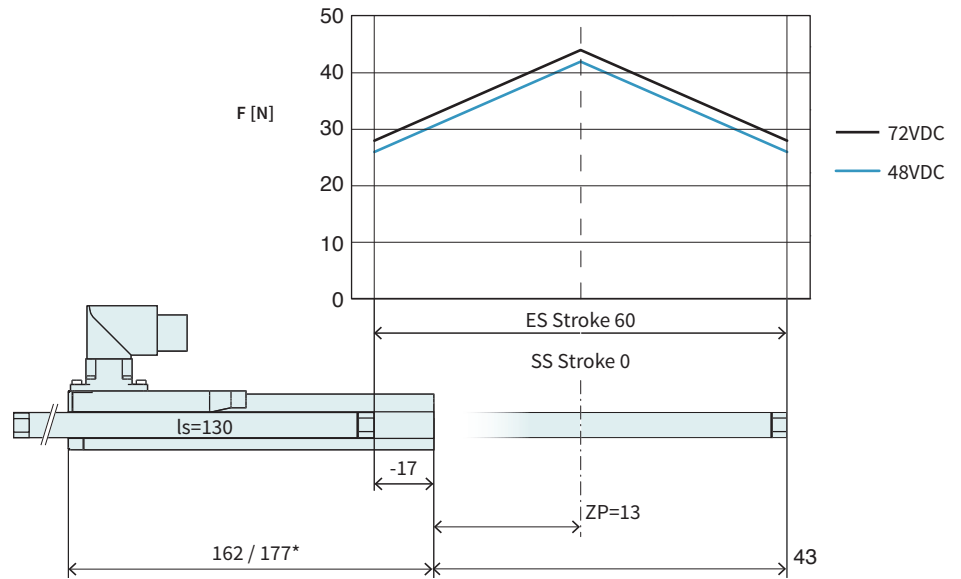
Slider Standard				
Item	Description	Max. Stroke [mm]	Standard Stroke [mm]	Item-No.
PL01-12x130/90-LC	Slider 'standard LC'	60	0	0150-2580
PL01-12x170/130-LC	Slider 'standard LC'	100	40	0150-2581
PL01-12x190/150-LC	Slider 'standard LC'	120	60	0150-2582
PL01-12x230/190-LC	Slider 'standard LC'	160	100	0150-2598
PL01-12x290/250-LC	Slider 'standard LC'	220	160	0150-2583
PL01-12x350/310-LC	Slider 'standard LC'	280	220	0150-2584
PL01-12x420/380-LC	Slider 'standard LC'	350	290	0150-2585
PL01-12x480/440-LC	Slider 'standard LC'	410	350	0150-2586
PL01-12x580/540-LC	Slider 'standard LC'	510	450	0150-2587
PL01-12x760/720-LC	Slider 'standard LC'	690	630	0150-2589
PL01-12x850/810-LC	Slider 'standard LC'	780	720	0150-2588

Slider Heavy Duty				
Item	Description	Max. Stroke [mm]	Standard Stroke [mm]	Item-No.
PL02-12x130/90-LC	Slider 'heavy duty LC'	60	0	0150-2590
PL02-12x170/130-LC	Slider 'heavy duty LC'	100	40	0150-2591
PL02-12x190/150-LC	Slider 'heavy duty LC'	120	60	0150-2592
PL02-12x230/190-LC	Slider 'heavy duty LC'	160	100	0150-2599
PL02-12x290/250-LC	Slider 'heavy duty LC'	220	160	0150-2593
PL02-12x350/310-LC	Slider 'heavy duty LC'	280	220	0150-2594
PL02-12x420/380-LC	Slider 'heavy duty LC'	350	290	0150-2595
PL02-12x480/440-LC	Slider 'heavy duty LC'	410	350	0150-2597
PL02-12x580/540-LC	Slider 'heavy duty LC'	510	450	0150-2596
PL02-12x760/720-LC	Slider 'heavy duty LC'	690	630	on request
PL02-12x850/810-LC	Slider 'heavy duty LC'	780	720	on request



**P01-23x80/0x60-LC**

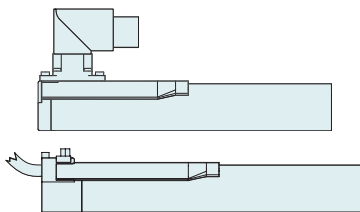
**Max. Stroke:** 60 mm  
**Peak Force:** 44 N



Dimensions in mm  
 \*Cable Type

Technical Data P01-23x80/0x60-LC

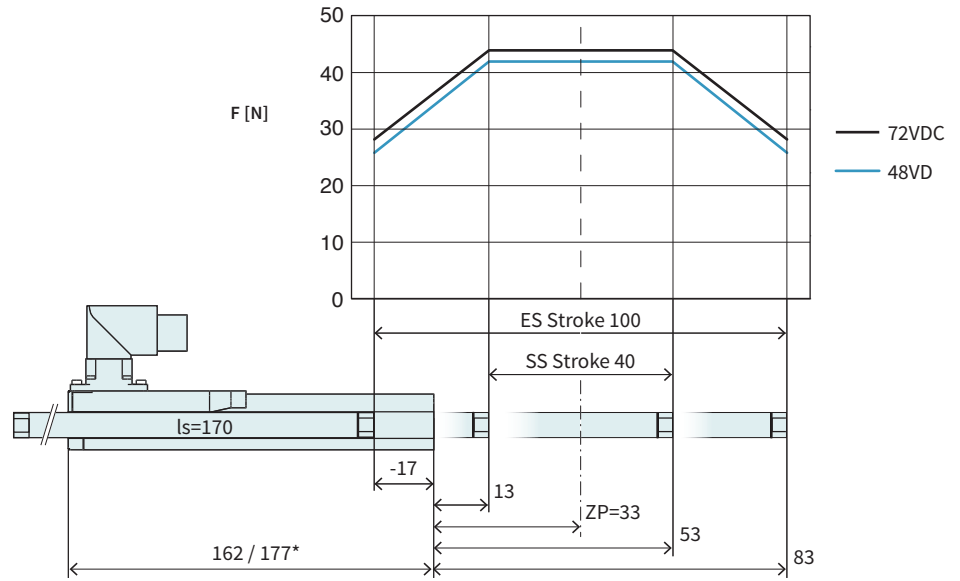
Stroke			
Standard Stroke (SS)	mm (in)		0 (0)
Extended Stroke (ES)	mm (in)		60 (2.35)
Force			
Max. Force @ 48VDC	N (lbf)		41.6 (9.35)
Max. Force @ 72VDC	N (lbf)		44 (9.89)
Max. Cont. Force [Passive cooling/ Fan / Fluid]	N (lbf)		8.6 / 16 / - (1.9 / 3.5 / -)
Max. Border Force relative	%		63
Force Constant	N/A <sub>pk</sub> (lbf/A <sub>pk</sub> )		11 (2.47)
Velocity			
Max. Velocity @ 48VDC	m/s (in/s)		3.9 (159.9)
Max. Velocity @ 72VDC	m/s (in/s)		5.9 (239.9)
Position Detection			
Repeatability	mm (in)		±0.05 (±0.002)
Linearity	%		± 0.5
Electrical Data			
Max. Current @ 48VDC	A <sub>pk</sub>		3.7
Max. Current @ 72VDC	A <sub>pk</sub>		3.9
Max. Cont. Current [Passive cooling / Fan / Fluid]	A <sub>pk</sub>		0.78 / 1.4 / -
Thermal Data			
Max. Winding Temperature (Sensor)	°C		90
Thermal Resistance [Passive cooling / Fan / Fluid]	°K/W		6.4 / 1.9 / -
Thermal Time Constant [Passive cooling / Fan / Fluid]	s		770 / 230 / -
Mechanical Data			
Slider Length	mm (in)		130 (5.1)
Slider Mass	g (lb)		90 (0.16)



Item	Description	Item-No.
<b>PS01-23x80-R</b>	Stator with IP67 Connector M17/9(m)	0150-1233
<b>PS01-23x80-R20</b>	Stator, 0,2 m cable, IP67 con. M17/9(m)	0150-1241
<b>PS01-23x80</b>	Stator, cable 1m, Connector D-Sub-9(m)	0150-1201
<b>PL01-12x130/90-LC</b>	Slider 'standard LC'	0150-2580
<b>PL02-12x130/90-LC</b>	Slider 'heavy duty LC'	0150-2590

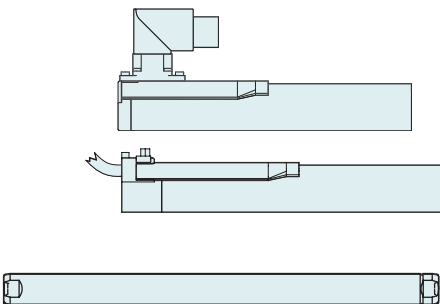
**P01-23x80/40x100-LC**

**Max. Stroke:** 100 mm  
**Peak Force:** 44 N



Dimensions in mm  
 \*Cable Type

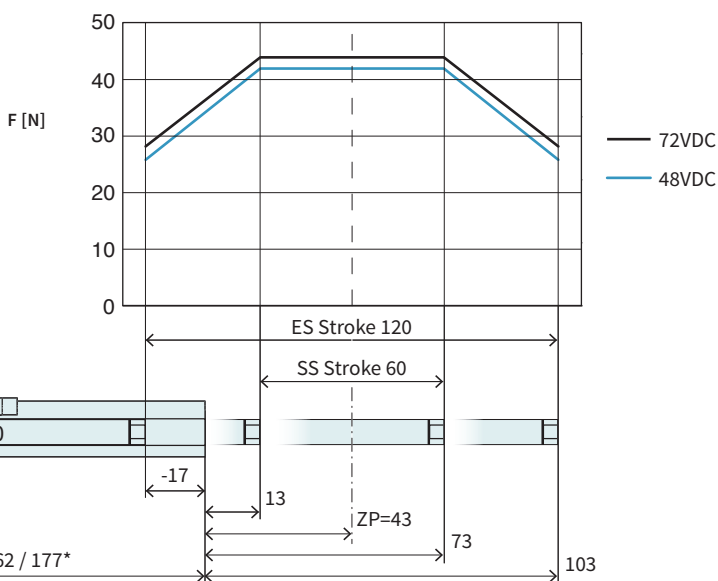
Technical Data P01-23x80/40x100-LC			
<b>Stroke</b>			
Standard Stroke (SS)	mm (in)	40 (1.57)	
Extended Stroke (ES)	mm (in)	100 (3.93)	
<b>Force</b>			
Max. Force @ 48VDC	N (lbf)	41.6 (9.35)	
Max. Force @ 72VDC	N (lbf)	44 (9.89)	
Max. Cont. Force [Passive cooling / Fan / Fluid]	N (lbf)	8.6 / 16 / - (1.9 / 3.5 / -)	
Max. Border Force relative	%	63	
Force Constant	N/A <sub>pk</sub> (lbf/A <sub>pk</sub> )	11 (2.47)	
<b>Velocity</b>			
Max. Velocity @ 48VDC	m/s (in/s)	3.9 (159.9)	
Max. Velocity @ 72VDC	m/s (in/s)	5.9 (239.9)	
<b>Position Detection</b>			
Repeatability	mm (in)	±0.05 (±0.002)	
Linearity	%	±0.35	
<b>Electrical Data</b>			
Max. Current @ 48VDC	A <sub>pk</sub>	3.7	
Max. Current @ 72VDC	A <sub>pk</sub>	3.9	
Max. Cont. Current [Passive cooling / Fan / Fluid]	A <sub>pk</sub>	0.78 / 1.4 / -	
<b>Thermal Data</b>			
Max. Winding Temperature (Sensor)	°C	90	
Thermal Resistance [Passive cooling / Fan / Fluid]	°K/W	6.4 / 1.9 / -	
Thermal Time Constant [Passive cooling / Fan / Fluid]	s	770 / 230 / -	
<b>Mechanical Data</b>			
Slider Length	mm (in)	170 (6.7)	
Slider Mass	g (lb)	130 (0.23)	



Item	Description	Item-No.
<b>PS01-23x80-R</b>	Stator with IP67 Connector M17/9(m)	0150-1233
<b>PS01-23x80-R20</b>	Stator, 0.2 m cable, IP67 con. M17/9(m)	0150-1241
<b>PS01-23x80</b>	Stator, cable 1m, Connector D-Sub-9(m)	0150-1201
<b>PL01-12x170/130-LC</b>	Slider 'standard LC'	0150-2581
<b>PL02-12x170/130-LC</b>	Slider 'heavy duty LC'	0150-2591

**P01-23x80/60x120-LC**

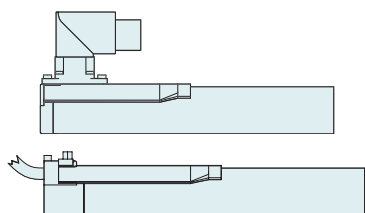
**Max. Stroke:** 120 mm  
**Peak Force:** 44 N



Dimensions in mm  
 \*Cable Type

Technical Data P01-23x80/60x120-LC

Stroke			
Standard Stroke (SS)	mm (in)	60	(2.35)
Extended Stroke (ES)	mm (in)	120	(4.71)
Force			
Max. Force @ 48VDC	N (lbf)	41.6	(9.35)
Max. Force @ 72VDC	N (lbf)	44	(9.89)
Max. Cont. Force [Passive cooling/ Fan / Fluid]	N (lbf)	8.6 / 16 / -	(1.9 / 3.5 / -)
Max. Border Force relative	%	63	
Force Constant	N/A <sub>pk</sub> (lbf/A <sub>pk</sub> )	11	(2.47)
Velocity			
Max. Velocity @ 48VDC	m/s (in/s)	3.9	(159.9)
Max. Velocity @ 72VDC	m/s (in/s)	5.9	(239.9)
Position Detection			
Repeatability	mm (in)	±0.05	(±0.002)
Linearity	%	± 0.3	
Electrical Data			
Max. Current @ 48VDC	A <sub>pk</sub>	3.7	
Max. Current @ 72VDC	A <sub>pk</sub>	3.9	
Max. Cont. Current [Passive cooling / Fan / Fluid]	A <sub>pk</sub>	0.78 / 1.4 / -	
Thermal Data			
Max. Winding Temperature (Sensor)	°C	90	
Thermal Resistance [Passive cooling / Fan / Fluid]	°K/W	6.4 / 1.9 / -	
Thermal Time Constant [Passive cooling / Fan / Fluid]	s	770 / 230 / -	
Mechanical Data			
Slider Length	mm (in)	190	(7.5)
Slider Mass	g (lb)	145	(0.26)

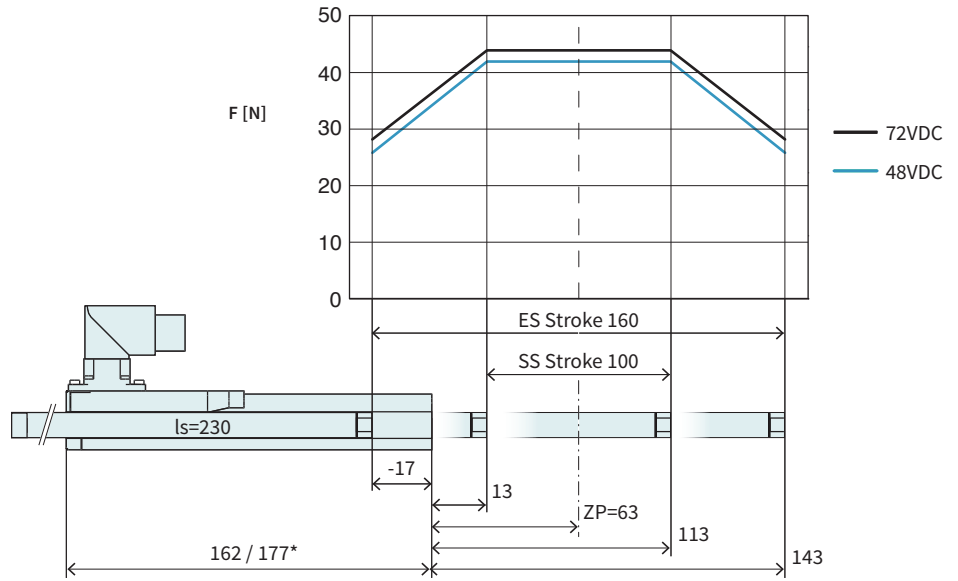


Item	Description	Item-No.
<b>PS01-23x80-R</b>	Stator with IP67 Connector M17/9(m)	0150-1233
<b>PS01-23x80-R20</b>	Stator, 0.2 m cable, IP67 con. M17/9(m)	0150-1241
<b>PS01-23x80</b>	Stator, cable 1m, Connector D-Sub-9(m)	0150-1201
<b>PL01-12x190/150-LC</b>	Slider 'standard LC'	0150-2582
<b>PL02-12x190/150-LC</b>	Slider 'heavy duty LC'	0150-2592

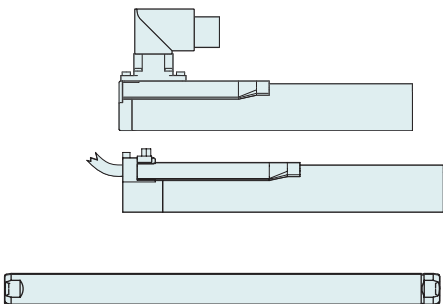
**P01-23x80/100x160-LC**

**Max. Stroke:** 160 mm  
**Peak Force:** 44 N

Dimensions in mm  
 \*Cable Type



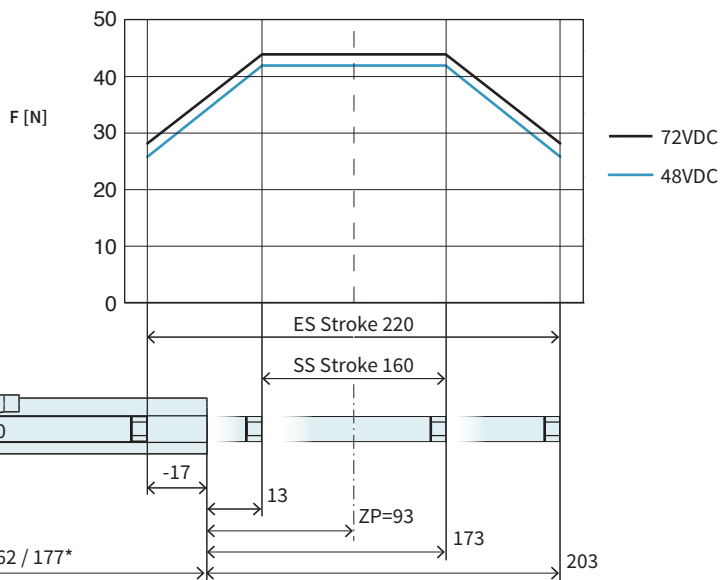
Technical Data P01-23x80/100x160-LC			
<b>Stroke</b>			
Standard Stroke (SS)	mm (in)		100 (3.93)
Extended Stroke (ES)	mm (in)		160 (6.29)
<b>Force</b>			
Max. Force @ 48VDC	N (lbf)		41.6 (9.35)
Max. Force @ 72VDC	N (lbf)		44 (9.89)
Max. Cont. Force [Passive cooling / Fan / Fluid]	N (lbf)		8.6 / 16 / - (1.9 / 3.5 / -)
Max. Border Force relative	%		63
Force Constant	N/A <sub>pk</sub> (lbf/A <sub>pk</sub> )		11 (2.47)
<b>Velocity</b>			
Max. Velocity @ 48VDC	m/s (in/s)		3.9 (159.9)
Max. Velocity @ 72VDC	m/s (in/s)		5.9 (239.9)
<b>Position Detection</b>			
Repeatability	mm (in)		±0.05 (±0.002)
Linearity	%		± 0.25
<b>Electrical Data</b>			
Max. Current @ 48VDC	A <sub>pk</sub>		3.7
Max. Current @ 72VDC	A <sub>pk</sub>		3.9
Max. Cont. Current [Passive cooling / Fan / Fluid]	A <sub>pk</sub>		0.78 / 1.4 / -
<b>Thermal Data</b>			
Max. Winding Temperature (Sensor)	°C		90
Thermal Resistance [Passive cooling / Fan / Fluid]	°K/W		6.4 / 1.9 / -
Thermal Time Constant [Passive cooling / Fan / Fluid]	s		770 / 230 / -
<b>Mechanical Data</b>			
Slider Length	mm (in)		230 (9.1)
Slider Mass	g (lb)		180 (0.32)



Item	Description	Item-No.
<b>PS01-23x80-R</b>	Stator with IP67 Connector M17/9(m)	0150-1233
<b>PS01-23x80-R20</b>	Stator, 0.2 m cable, IP67 con. M17/9(m)	0150-1241
<b>PS01-23x80</b>	Stator, cable 1m, Connector D-Sub-9(m)	0150-1201
<b>PL01-12x230/190-LC</b>	Slider 'standard LC'	0150-2598
<b>PL02-12x230/190-LC</b>	Slider 'heavy duty LC'	0150-2599

**P01-23x80/160x220-LC**

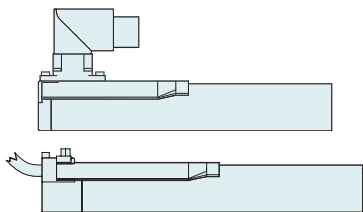
**Max. Stroke:** 220 mm  
**Peak Force:** 44 N



Dimensions in mm  
 \*Cable Type

Technical Data P01-23x80/160x220-LC

Stroke			
Standard Stroke (SS)	mm (in)	160 (6.29)	
Extended Stroke (ES)	mm (in)	220 (8.65)	
Force			
Max. Force @ 48VDC	N (lbf)	41.6 (9.35)	
Max. Force @ 72VDC	N (lbf)	44 (9.89)	
Max. Cont. Force [Passive cooling / Fan / Fluid]	N (lbf)	8.6 / 16 / - (1.9 / 3.5 / -)	
Max. Border Force relative	%	63	
Force Constant	N/A <sub>pk</sub> (lbf/A <sub>pk</sub> )	11 (2.47)	
Velocity			
Max. Velocity @ 48VDC	m/s (in/s)	3.9 (159.9)	
Max. Velocity @ 72VDC	m/s (in/s)	5.9 (239.9)	
Position Detection			
Repeatability	mm (in)	±0.05 (±0.002)	
Linearity	%	± 0.2	
Electrical Data			
Max. Current @ 48VDC	A <sub>pk</sub>	3.7	
Max. Current @ 72VDC	A <sub>pk</sub>	3.9	
Max. Cont. Current [Passive cooling / Fan / Fluid]	A <sub>pk</sub>	0.78 / 1.4 / -	
Thermal Data			
Max. Winding Temperature (Sensor)	°C	90	
Thermal Resistance [Passive cooling / Fan / Fluid]	°K/W	6.4 / 1.9 / -	
Thermal Time Constant [Passive cooling / Fan / Fluid]	s	770 / 230 / -	
Mechanical Data			
Slider Length	mm (in)	290 (11)	
Slider Mass	g (lb)	230 (0.41)	



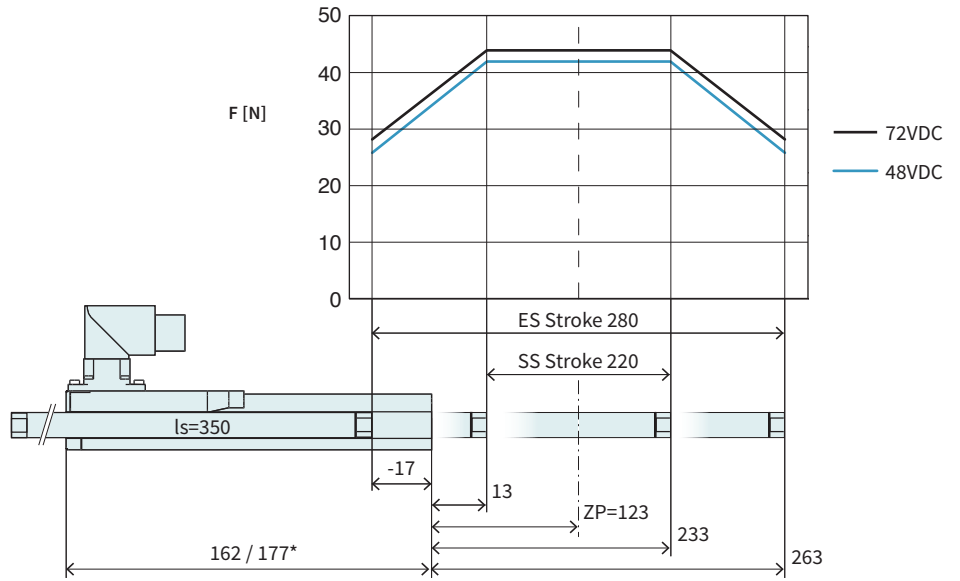
Item	Description	Item-No.
<b>PS01-23x80-R</b>	Stator with IP67 Connector M17/9(m)	0150-1233
<b>PS01-23x80-R20</b>	Stator, 0.2 m cable, IP67 con. M17/9(m)	0150-1241
<b>PS01-23x80</b>	Stator, cable 1m, Connector D-Sub-9(m)	0150-1201
<b>PL01-12x290/250-LC</b>	Slider 'standard LC'	0150-2583
<b>PL02-12x290/250-LC</b>	Slider 'heavy duty LC'	0150-2593



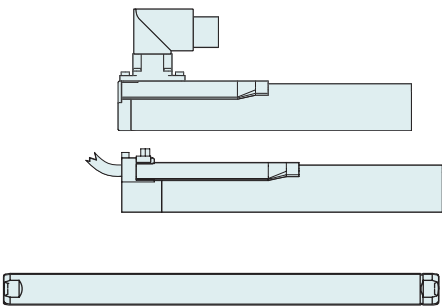
**P01-23x80/220x280-LC**

**Max. Stroke:** 280 mm  
**Peak Force:** 44 N

Dimensions in mm  
 \*Cable Type



Technical Data P01-23x80/220x280-LC			
<b>Stroke</b>			
Standard Stroke (SS)	mm (in)	220 (8.65)	
Extended Stroke (ES)	mm (in)	280 (10.99)	
<b>Force</b>			
Max. Force @ 48VDC	N (lbf)	41.6 (9.35)	
Max. Force @ 72VDC	N (lbf)	44 (9.89)	
Max. Cont. Force [Passive cooling / Fan / Fluid]	N (lbf)	8.6 / 16 / - (1.9 / 3.5 / -)	
Max. Border Force relative	%	63	
Force Constant	N/A <sub>pk</sub> (lbf/A <sub>pk</sub> )	11 (2.47)	
<b>Velocity</b>			
Max. Velocity @ 48VDC	m/s (in/s)	3.9 (159.9)	
Max. Velocity @ 72VDC	m/s (in/s)	5.9 (239.9)	
<b>Position Detection</b>			
Repeatability	mm (in)	±0.05 (±0.002)	
Linearity	%	± 0.2	
<b>Electrical Data</b>			
Max. Current @ 48VDC	A <sub>pk</sub>	3.7	
Max. Current @ 72VDC	A <sub>pk</sub>	3.9	
Max. Cont. Current [Passive cooling / Fan / Fluid]	A <sub>pk</sub>	0.78 / 1.4 / -	
<b>Thermal Data</b>			
Max. Winding Temperature (Sensor)	°C	90	
Thermal Resistance [Passive cooling / Fan / Fluid]	°K/W	6.4 / 1.9 / -	
Thermal Time Constant [Passive cooling / Fan / Fluid]	s	770 / 230 / -	
<b>Mechanical Data</b>			
Slider Length	mm (in)	350 (14)	
Slider Mass	g (lb)	280 (0.5)	



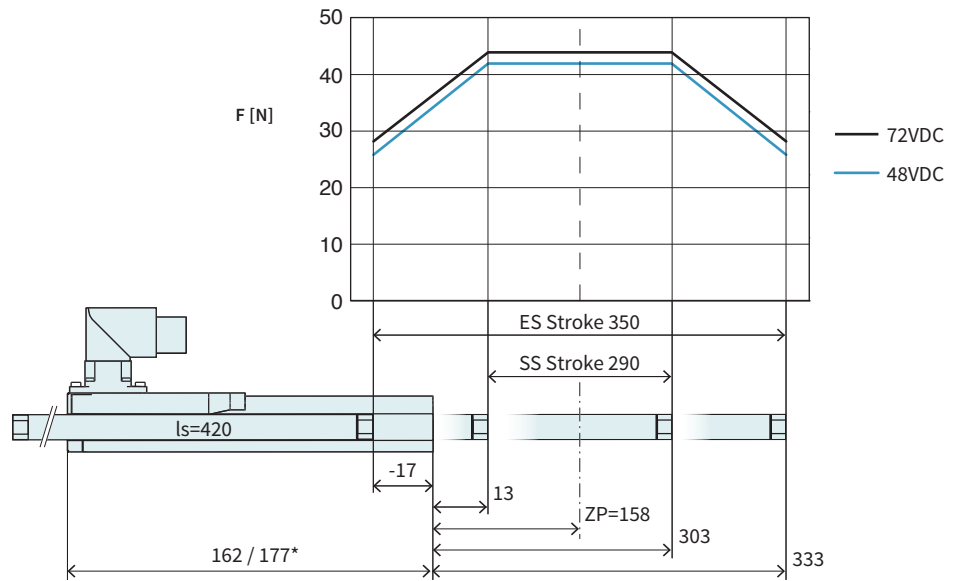
Item	Description	Item-No.
<b>PS01-23x80-R</b>	Stator with IP67 Connector M17/9(m)	0150-1233
<b>PS01-23x80-R20</b>	Stator, 0.2 m cable, IP67 con. M17/9(m)	0150-1241
<b>PS01-23x80</b>	Stator, cable 1m, Connector D-Sub-9(m)	0150-1201
<b>PL01-12x350/310-LC</b>	Slider 'standard LC'	0150-2584
<b>PL02-12x350/310-LC</b>	Slider 'heavy duty LC'	0150-2594

**P01-23x80/290x350-LC**

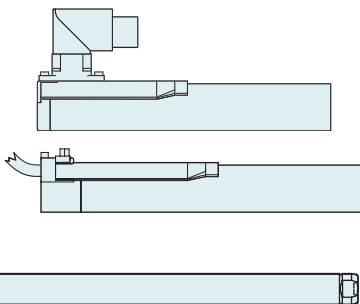
3

**Max. Stroke:** 350 mm  
**Peak Force:** 44 N

Dimensions in mm  
 \*Cable Type



Technical Data P01-23x80/290x350-LC			
<b>Stroke</b>			
Standard Stroke (SS)	mm (in)		290 (11.4)
Extended Stroke (ES)	mm (in)		350 (13.8)
<b>Force</b>			
Max. Force @ 48VDC	N (lbf)		41.6 (9.35)
Max. Force @ 72VDC	N (lbf)		44 (9.89)
Max. Cont. Force [Passive cooling / Fan / Fluid]	N (lbf)		8.6 / 16 / - (1.9 / 3.5 / -)
Max. Border Force relative	%		63
Force Constant	N/A <sub>pk</sub> (lbf/A <sub>pk</sub> )		11 (2.47)
<b>Velocity</b>			
Max. Velocity @ 48VDC	m/s (in/s)		3.9 (159.9)
Max. Velocity @ 72VDC	m/s (in/s)		5.9 (239.9)
<b>Position Detection</b>			
Repeatability	mm (in)		±0.05 (±0.002)
Linearity	%		± 0.15
<b>Electrical Data</b>			
Max. Current @ 48VDC	A <sub>pk</sub>		3.7
Max. Current @ 72VDC	A <sub>pk</sub>		3.9
Max. Cont. Current [Passive cooling / Fan / Fluid]	A <sub>pk</sub>		0.78 / 1.4 / -
<b>Thermal Data</b>			
Max. Winding Temperature (Sensor)	°C		90
Thermal Resistance [Passive cooling / Fan / Fluid]	°K/W		6.4 / 1.9 / -
Thermal Time Constant [Passive cooling / Fan / Fluid]	s		770 / 230 / -
<b>Mechanical Data</b>			
Slider Length	mm (in)		420 (17)
Slider Mass	g (lb)		340 (0.61)

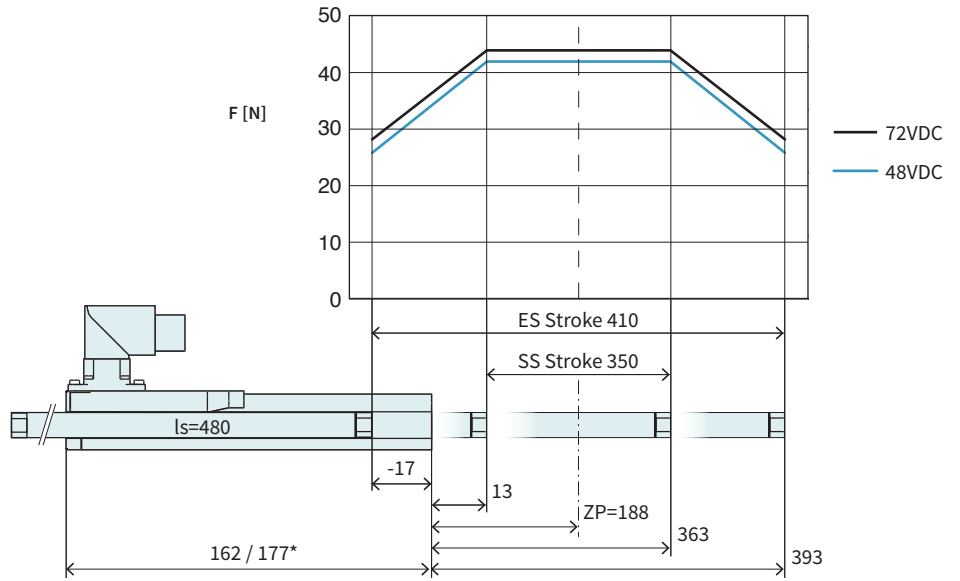


Item	Description	Item-No.
<b>PS01-23x80-R</b>	Stator with IP67 Connector M17/9(m)	0150-1233
<b>PS01-23x80-R20</b>	Stator, 0.2 m cable, IP67 con. M17/9(m)	0150-1241
<b>PS01-23x80</b>	Stator, cable 1m, Connector D-Sub-9(m)	0150-1201
<b>PL01-12x420/380-LC</b>	Slider 'standard LC'	0150-2585
<b>PL02-12x420/380-LC</b>	Slider 'heavy duty LC'	0150-2595

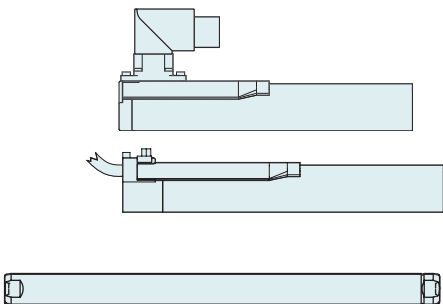
**P01-23x80/350x410-LC**

**Max. Stroke:** 410 mm  
**Peak Force:** 44 N

Dimensions in mm  
 \*Cable Type



Technical Data P01-23x80/350x410-LC				
<b>Stroke</b>				
Standard Stroke (SS)	mm	(in)	350	(13.8)
Extended Stroke (ES)	mm	(in)	410	(16.1)
<b>Force</b>				
Max. Force @ 48VDC	N	(lbf)	41.6	(9.35)
Max. Force @ 72VDC	N	(lbf)	44	(9.89)
Max. Cont. Force [Passive cooling / Fan / Fluid]	N	(lbf)	8.6 / 16 / -	(1.9 / 3.5 / -)
Max. Border Force relative	%		63	
Force Constant	N/A <sub>pk</sub>	(lbf/A <sub>pk</sub> )	11	(2.47)
<b>Velocity</b>				
Max. Velocity @ 48VDC	m/s	(in/s)	3.9	(159.9)
Max. Velocity @ 72VDC	m/s	(in/s)	5.9	(239.9)
<b>Position Detection</b>				
Repeatability	mm	(in)	±0.05	(±0.002)
Linearity	%		±0.15	
<b>Electrical Data</b>				
Max. Current @ 48VDC	A <sub>pk</sub>		3.7	
Max. Current @ 72VDC	A <sub>pk</sub>		3.9	
Max. Cont. Current [Passive cooling / Fan / Fluid]	A <sub>pk</sub>		0.78 / 1.4 / -	
<b>Thermal Data</b>				
Max. Winding Temperature (Sensor)	°C		90	
Thermal Resistance [Passive cooling / Fan / Fluid]	°K/W		6.4 / 1.9 / -	
Thermal Time Constant [Passive cooling / Fan / Fluid]	s		770 / 230 / -	
<b>Mechanical Data</b>				
Slider Length	mm	(in)	480	(19)
Slider Mass	g	(lb)	390	(0.7)

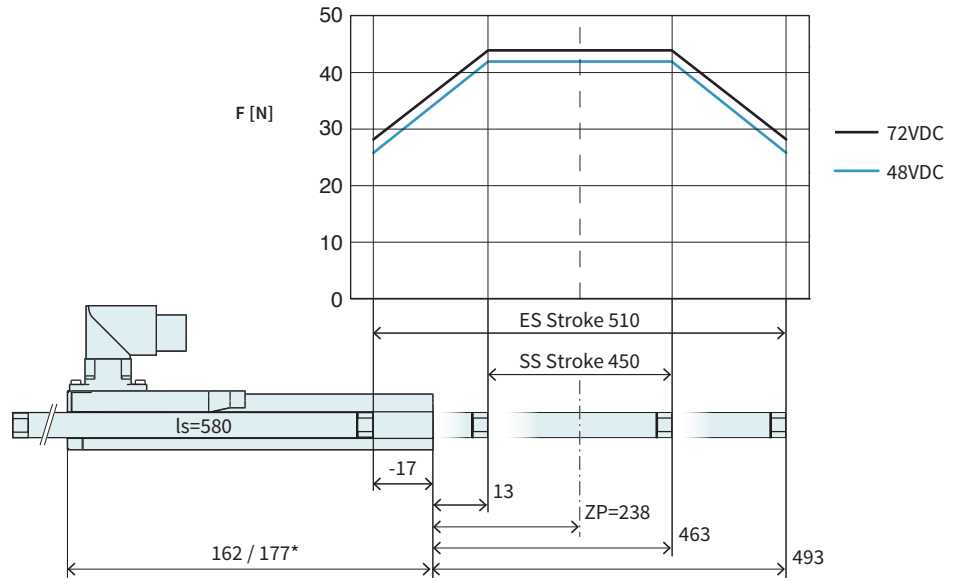


Item	Description	Item-No.
<b>PS01-23x80-R</b>	Stator with IP67 Connector M17/9(m)	0150-1233
<b>PS01-23x80-R20</b>	Stator, 0.2 m cable, IP67 con. M17/9(m)	0150-1241
<b>PS01-23x80</b>	Stator, cable 1m, Connector D-Sub-9(m)	0150-1201
<b>PL01-12x480/440-LC</b>	Slider 'standard LC'	0150-2586
<b>PL02-12x480/440-LC</b>	Slider 'heavy duty LC'	0150-2597

**P01-23x80/450x510-LC**

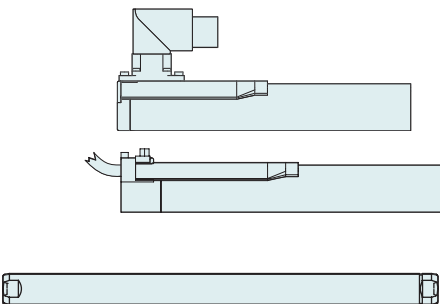
**Max. Stroke:** 510 mm  
**Peak Force:** 44 N

Dimensions in mm  
 \*Cable Type



Technical Data P01-23x80/450x510-LC

Stroke			
Standard Stroke (SS)	mm (in)		450 (17.69)
Extended Stroke (ES)	mm (in)		510 (20.1)
Force			
Max. Force @ 48VDC	N (lbf)		41.6 (9.35)
Max. Force @ 72VDC	N (lbf)		44 (9.89)
Max. Cont. Force [Passive cooling / Fan / Fluid]	N (lbf)		8.6 / 16 / - (1.9 / 3.5 / -)
Max. Border Force relative	%		63
Force Constant	N/A <sub>pk</sub> (lbf/A <sub>pk</sub> )		11 (2.47)
Velocity			
Max. Velocity @ 48VDC	m/s (in/s)		3.9 (159.9)
Max. Velocity @ 72VDC	m/s (in/s)		5.9 (239.9)
Position Detection			
Repeatability	mm (in)		±0.05 (±0.002)
Linearity	%		± 0.15
Electrical Data			
Max. Current @ 48VDC	A <sub>pk</sub>		3.7
Max. Current @ 72VDC	A <sub>pk</sub>		3.9
Max. Cont. Current [Passive cooling / Fan / Fluid]	A <sub>pk</sub>		0.78 / 1.4 / -
Thermal Data			
Max. Winding Temperature (Sensor)	°C		90
Thermal Resistance [Passive cooling / Fan / Fluid]	°K/W		6.4 / 1.9 / -
Thermal Time Constant [Passive cooling / Fan / Fluid]	s		770 / 230 / -
Mechanical Data			
Slider Length	mm (in)		580 (23)
Slider Mass	g (lb)		480 (0.86)

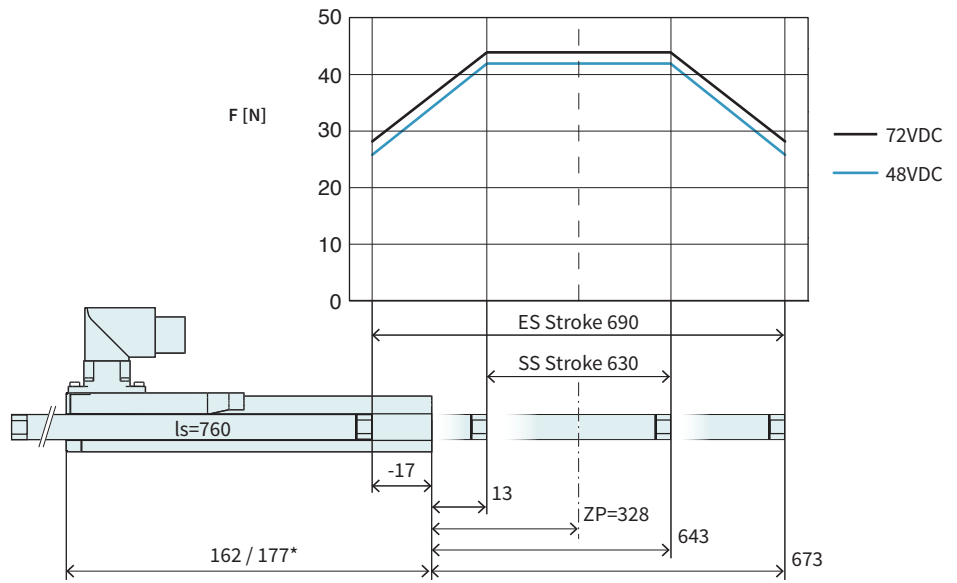


Item	Description	Item-No.
<b>PS01-23x80-R</b>	Stator with IP67 Connector M17/9(m)	0150-1233
<b>PS01-23x80-R20</b>	Stator, 0.2 m cable, IP67 con. M17/9(m)	0150-1241
<b>PS01-23x80</b>	Stator, cable 1m, Connector D-Sub-9(m)	0150-1201
<b>PL01-12x580/540-LC</b>	Slider 'standard LC'	0150-2587
<b>PL02-12x580/540-LC</b>	Slider 'heavy duty LC'	0150-2596

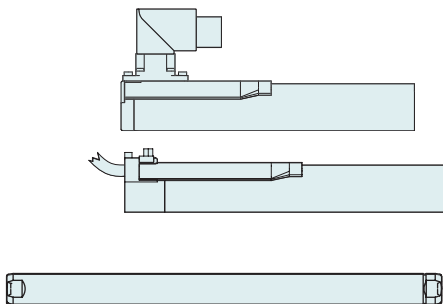
**P01-23x80/630x690-LC**

**Max. Stroke:** 690 mm  
**Peak Force:** 44 N

Dimensions in mm  
 \*Cable Type



Technical Data P01-23x80/630x690-LC			
<b>Stroke</b>			
Standard Stroke (SS)	mm (in)	630 (24.8)	
Extended Stroke (ES)	mm (in)	690 (27.19)	
<b>Force</b>			
Max. Force @ 48VDC	N (lbf)	41.6 (9.35)	
Max. Force @ 72VDC	N (lbf)	44 (9.89)	
Max. Cont. Force [Passive cooling / Fan / Fluid]	N (lbf)	8.6 / 16 / - (1.9 / 3.5 / -)	
Max. Border Force relative	%	63	
Force Constant	N/A <sub>pk</sub> (lbf/A <sub>pk</sub> )	11 (2.47)	
<b>Velocity</b>			
Max. Velocity @ 48VDC	m/s (in/s)	3.9 (159.9)	
Max. Velocity @ 72VDC	m/s (in/s)	5.9 (239.9)	
<b>Position Detection</b>			
Repeatability	mm (in)	±0.05 (±0.002)	
Linearity	%	±0.15	
<b>Electrical Data</b>			
Max. Current @ 48VDC	A <sub>pk</sub>	3.7	
Max. Current @ 72VDC	A <sub>pk</sub>	3.9	
Max. Cont. Current [Passive cooling / Fan / Fluid]	A <sub>pk</sub>	0.78 / 1.4 / -	
<b>Thermal Data</b>			
Max. Winding Temperature (Sensor)	°C	90	
Thermal Resistance [Passive cooling / Fan / Fluid]	°K/W	6.4 / 1.9 / -	
Thermal Time Constant [Passive cooling / Fan / Fluid]	s	770 / 230 / -	
<b>Mechanical Data</b>			
Slider Length	mm (in)	760 (30)	
Slider Mass	g (lb)	630 (1.1)	



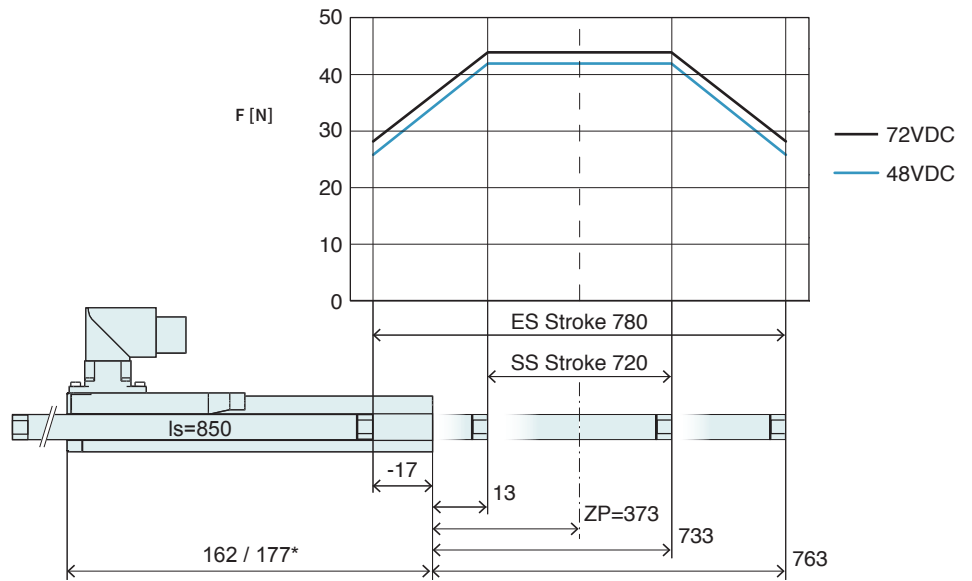
Item	Description	Item-No.
<b>PS01-23x80-R</b>	Stator with IP67 Connector M17/9(m)	0150-1233
<b>PS01-23x80-R20</b>	Stator, 0.2 m cable, IP67 con. M17/9(m)	0150-1241
<b>PS01-23x80</b>	Stator, cable 1m, Connector D-Sub-9(m)	0150-1201
<b>PL01-12x760/720-LC</b>	Slider 'standard LC'	0150-2589
<b>PL01-12x760/720-LC</b>	Slider 'heavy duty LC'	on request



**P01-23x80/720x780-LC**

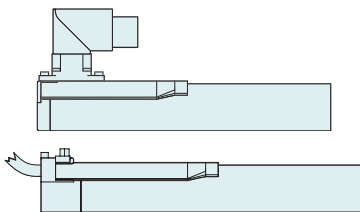
**Max. Stroke:** 780 mm  
**Peak Force:** 44 N

Dimensions in mm  
 \*Cable Type



Technical Data P01-23x80/720x780-LC

Stroke			
Standard Stroke (SS)	mm (in)		720 (28.3)
Extended Stroke (ES)	mm (in)		780 (30.69)
Force			
Max. Force @ 48VDC	N (lbf)		41.6 (9.35)
Max. Force @ 72VDC	N (lbf)		44 (9.89)
Max. Cont. Force [Passive cooling / Fan / Fluid]	N (lbf)		8.6 / 16 / - (1.9 / 3.5 / -)
Max. Border Force relative	%		63
Force Constant	N/A <sub>pk</sub> (lbf/A <sub>pk</sub> )		11 (2.47)
Velocity			
Max. Velocity @ 48VDC	m/s (in/s)		3.9 (159.9)
Max. Velocity @ 72VDC	m/s (in/s)		5.9 (239.9)
Position Detection			
Repeatability	mm (in)		±0.05 (±0.002)
Linearity	%		± 0.15
Electrical Data			
Max. Current @ 48VDC	A <sub>pk</sub>		3.7
Max. Current @ 72VDC	A <sub>pk</sub>		3.9
Max. Cont. Current [Passive cooling / Fan / Fluid]	A <sub>pk</sub>		0.78 / 1.4 / -
Thermal Data			
Max. Winding Temperature (Sensor)	°C		90
Thermal Resistance [Passive cooling / Fan / Fluid]	°K/W		6.4 / 1.9 / -
Thermal Time Constant [Passive cooling / Fan / Fluid]	s		770 / 230 / -
Mechanical Data			
Slider Length	mm (in)		850 (33)
Slider Mass	g (lb)		700 (1.3)



Item	Description	Item-No.
<b>PS01-23x80-R</b>	Stator with IP67 Connector M17/9(m)	0150-1233
<b>PS01-23x80-R20</b>	Stator, 0,2 m cable, IP67 con. M17/9(m)	0150-1241
<b>PS01-23x80</b>	Stator, cable 1m, Connector D-Sub-9(m)	0150-1201
<b>PL01-12x850/810-LC</b>	Slider 'standard LC'	0150-2588
<b>PL02-12x850/810-LC</b>	Slider 'heavy duty LC'	on request

**Linear Guides H01**



**HM01-23x80/60 | Linear Module 23x80 with 60 mm Stroke**

→	H-Guide	H01-23x86/60	H-Guide for P01-23x80, Stroke max 60 mm	0150-5014
		H01-23x86/60-GF	H-Guide for P01-23x80, Stroke max 60 mm	0150-5074
→	Stator	PS01-23x80-R	Stator with IP67 connector M17/9(m)	0150-1233
		PS01-23x80-R20	Stator, 0.2 m cable, IP67 con. M17/9(m)	0150-1241
		PS01-23x80	Stator, cable 1 m, connector D-Sub-9(m)	0150-1201
→	Slider	PL01-12x190/150-LC	Slider 'standard LC'	0150-2582

**HM01-23x80/160 | Linear Module 23x80 with 160mm Stroke**

→	H-Guide	H01-23x86/160	H-Guide for P01-23x80, Stroke max 160 mm	0150-5015
		H01-23x86/160-GF	H-Guide for P01-23x80, Stroke max 160 mm	0150-5075
→	Stator	PS01-23x80-R	Stator with IP67 connector M17/9(m)	0150-1233
		PS01-23x80-R20	Stator, 0.2 m cable, IP67 con. M17/9(m)	0150-1241
		PS01-23x80	Stator, cable 1 m, connector D-Sub-9(m)	0150-1201
→	Slider	PL01-12x290/250-LC	Slider 'standard LC'	0150-2583

**HM01-23x80/260 | Linear Module 23x80 with 260mm Stroke**

→	H-Guide	H01-23x86/260	H-Guide for P01-23x80, Stroke max 260 mm	0150-5016
		H01-23x86/260-GF	H-Guide for P01-23x80, Stroke max 260 mm	0150-5076
→	Stator	PS01-23x80-R	Stator with IP67 connector M17/9(m)	0150-1233
		PS01-23x80-R20	Stator, 0.2m cable, IP67 con. M17/9(m)	0150-1241
		PS01-23x80	Stator, cable 1m, connector D-Sub-9(m)	0150-1201
→	Slider	PL01-12x420/380-LC	Slider 'standard LC'	0150-2585

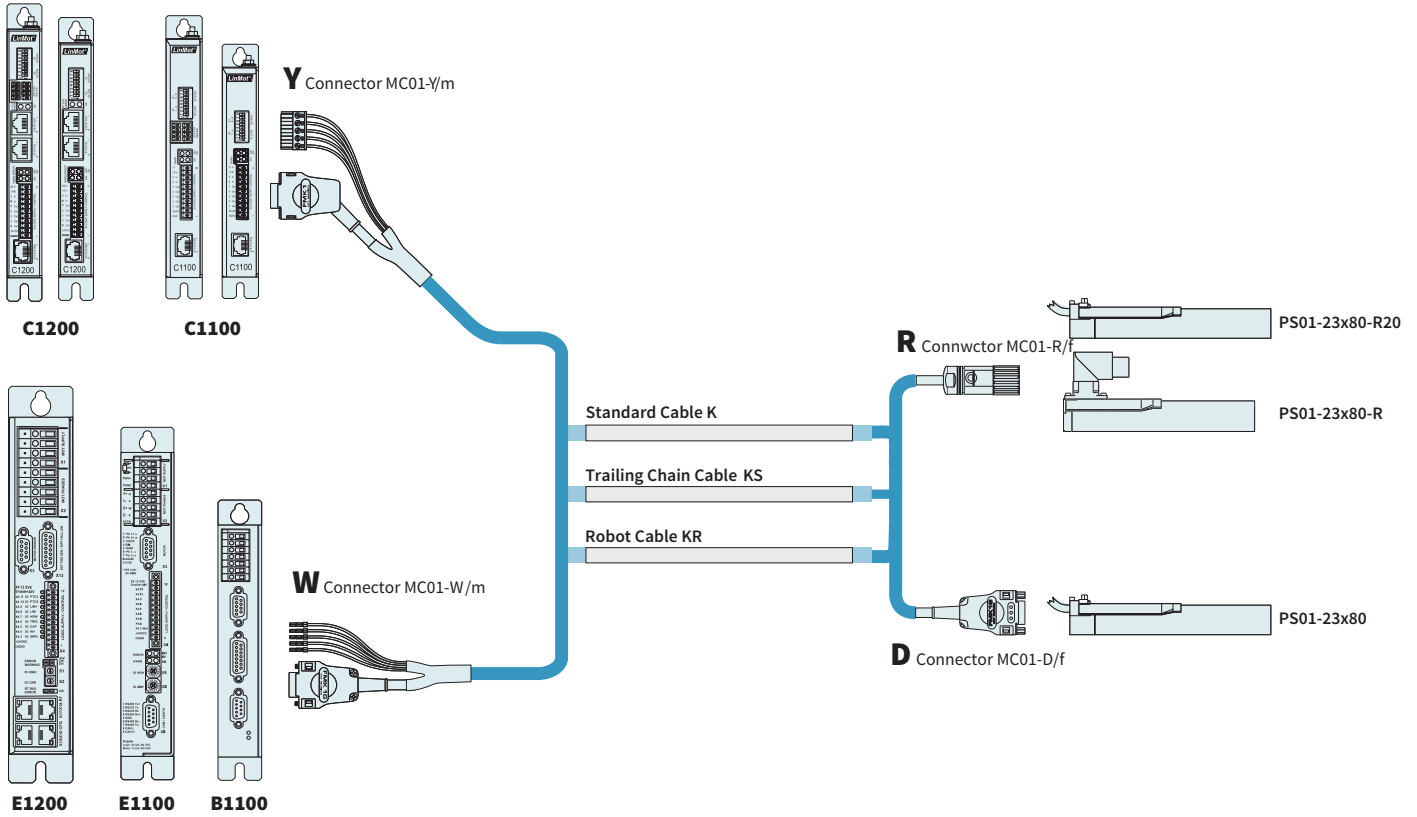
**Accessories**

→	MagSpring	HV01-23	Fan cooling for H01-23	0150-5050
		MF01-20/H23	Flange MagSpring 20 / H-Guide 23	0250-2306
→	Centering sleeve	MA01-20/H23	Adapter MagSpring 20 / H-Guide 23	0250-0116
		HC01-09/04	Centering sleeve D9x4 mm	0150-3251

FIND MORE PRODUCT DETAILS IN THE CHAPTER "LINEAR GUIDES".

**MOTOR CABLE**

3



**ORDERING INFORMATION**

STANDARD CABLE

Item	Description	Item-No.
<b>K05-W/R-2</b>	Motor Cable W/R, 2 m	0150-2119
<b>K05-W/R-4</b>	Motor Cable W/R, 4 m	0150-2120
<b>K05-W/R-6</b>	Motor Cable W/R, 6 m	0150-2121
<b>K05-W/R-8</b>	Motor Cable W/R, 8 m	0150-2122
<b>K05-W/R-</b>	Motor Cable W/R, Custom length	0150-3262
<b>K05-W/D-0.4</b>	Motor Cable W/D, 0.4 m	0150-1947
<b>K05-Y/R-2</b>	Motor Cable Y/R, 2 m	0150-2421
<b>K05-Y/R-4</b>	Motor Cable Y/R, 4 m	0150-2422
<b>K05-Y/R-6</b>	Motor Cable Y/R, 6 m	0150-2423
<b>K05-Y/R-8</b>	Motor Cable Y/R, 8 m	0150-2424
<b>K05-Y-Fe/R-</b>	Motor Cable Y/R, Custom length	0150-3501
<b>K05-Y-Fe/D-</b>	Motor Cable Y-Fe/D, Custom length	0150-1947

TRAILING CHAIN CABLE		
Item	Description	Item-No.
<b>KS05-W/R-4</b>	Trailing Chain Cable W/R, 4 m	0150-2106
<b>KS05-W/R-6</b>	Trailing Chain Cable W/R, 6 m	0150-2131
<b>KS05-W/R-8</b>	Trailing Chain Cable W/R, 8 m	0150-2107
<b>KS05-W/R-</b>	Trailing Chain Cable W/R, Custom length	0150-3256
<b>KS05-Y/R-4</b>	Trailing Chain Cable Y/R, 4 m	0150-2433
<b>KS05-Y/R-6</b>	Trailing Chain Cable Y/R, 6 m	0150-2434
<b>KS05-Y/R-8</b>	Trailing Chain Cable Y/R, 8 m	0150-2435
<b>KS05-Y-Fe/R-</b>	Trailing Chain Cable Y-Fe/R, Custom length	0150-3507
<b>KS05-Y-Fe/D-</b>	Trailing Chain Cable Y-Fe/D, Custom length	0150-3556

ROBOT CABLE		
Item	Description	Item-No.
<b>KR05-W/R-</b>	Robot Cable KR05-W/R, Custom length	0150-3336
<b>KR05-Y-Fe/R-</b>	Robot Cable KR05-Y-Fe/R, Custom length	0150-3512

CONNECTOR & CABLE (INDIVIDUAL)		
Item	Description	Item-No.
<b>MC01-W/m</b>	Motor Connector W/m	0150-3140
<b>MC01-Y-Fe/m</b>	Motor Connector Y-Fe/m	0150-3289
<b>MC01-R/f</b>	Motor Connector R/f	0150-3129
<b>MC01-D/f</b>	Motor Connector D/f	0150-3025
<b>K05-04/05</b>	Motor Cable per m	0150-1920
<b>KS05-04/05</b>	Trailing Chain Cable per m	0150-1938
<b>KR05-04/05</b>	Robot Cable per m	0150-1846

**MOTOR FLANGES**

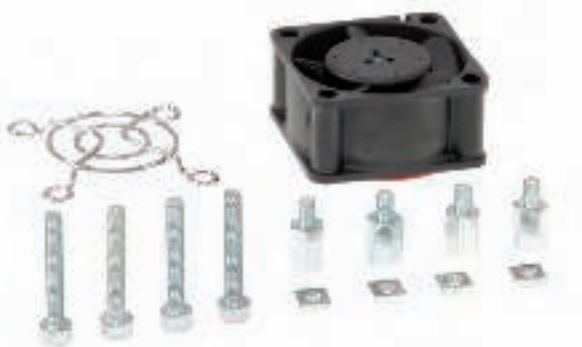
3



Item	Description	Item-No.
PF02-23x50	Flange 23x50 mm	0150-2102
PF02-23x90	Flange 23x90 mm	0150-2146

FIND MORE PRODUCT DETAILS IN THE CHAPTER "ACCESSORIES".

**FANS**



Item	Description	Item-No.
HV01-23	Fan cooling for H01-23 and PF02-23	0150-5050

FIND MORE PRODUCT DETAILS IN THE CHAPTER "ACCESSORIES".

**SLIDER MOUNTING**



Item	Description	Item-No.
PLF01-12	Fixed End Washer Set for 12 mm sliders	0150-3085
PLF01-12-Ni	Fixed End Washer Set for 12 mm sliders nickel-plated	0150-3573
PLL02-12	Floating support for PL01-12 Sliders	0150-3111

FIND MORE PRODUCT DETAILS IN THE CHAPTER "ACCESSORIES".



**WIPERS**



Item	Description	Item-No.
PA01-23/12-F	Seal front side for PS01-23x...	0150-3125

FIND MORE PRODUCT DETAILS IN THE CHAPTER "ACCESSORIES".

**EXTERNAL POSITION SENSORS**



Item	Description	Item-No.
MS01-1/D	Linear Encoder 1 $\mu$ m, A/B (for incremental strip)	0150-1840
MB01-1000	Magnetic incremental strip for MS01-1/D, per cm	0150-1963
KS025-D/D-Encoder	Encoder Cable (Length in m)	0150-3166
KS025-D/D15-Encoder	Encoder Cable (Length in m)	0150-3168

FIND MORE PRODUCT DETAILS IN THE CHAPTER "ACCESSORIES".



Item	Description	Item-No.
MS01-1/D-SSI	Linear Encoder 1 $\mu$ m, A/B(for absolute strip)	0150-2095
MB01-1000-ABS	Magnetic absolute strip for MS01-1/D-SSI (per cm)	0150-2096
EC01-ABS/ENC-12-S	MS01-1/D-SSI Encoder connector straight	0150-3616
KSS01-12-D15/ABS-ENC	Special cable for MS01-1/D-SSI on C1100/C1200/C1400/E1200/E1400 Drives	0150-3652

FIND MORE PRODUCT DETAILS IN THE CHAPTER "ACCESSORIES".



# LINEAR MOTORS P01-23x80F-HP



- ✓ Higher maximum peak force and acceleration
- ✓ Increased duration of force and acceleration
- ✓ Higher permissible operating temperatures with less self-heating
- ✓ In comparison with the standard motors , a smaller HP motor can be used with the same load.

## LINEAR MOTORS P01-23x80F-HP

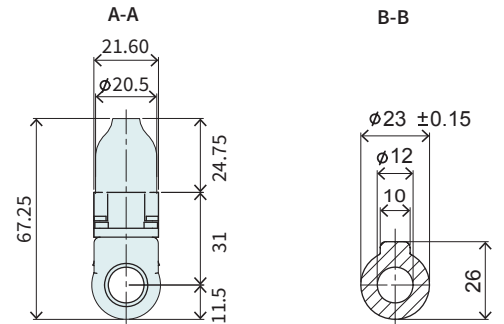
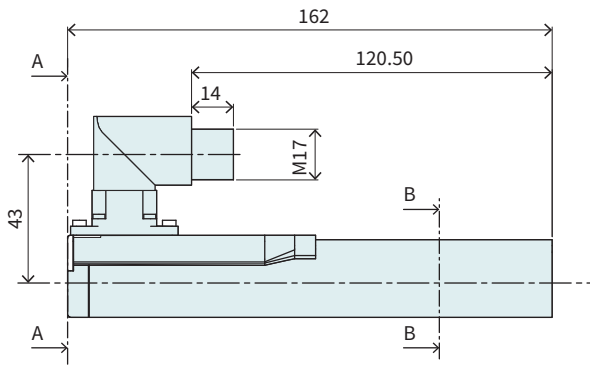
<b>Technical Data</b>	<b>51</b>
<b>Motor Specifications</b>	
P01-23x80F/0x60-HP	<b>55</b>
P01-23x80F/20x80-HP	<b>56</b>
P01-23x80F/40x100-HP	<b>57</b>
P01-23x80F/70x130-HP	<b>58</b>
P01-23x80F/100x160-HP	<b>59</b>
P01-23x80F/140x200-HP	<b>60</b>
P01-23x80F/160x220-HP	<b>61</b>
P01-23x80F/220x280-HP	<b>62</b>
P01-23x80F/290x350-HP	<b>63</b>
P01-23x80F/350x410-HP	<b>64</b>
P01-23x80F/450x510-HP	<b>65</b>
P01-23x80F/630x690-HP	<b>66</b>
P01-23x80F/720x780-HP	<b>67</b>
<b>Linear Guides</b>	<b>68</b>
<b>Accessories</b>	<b>69</b>



### MOTOR FAMILY P01-23x80F-HP

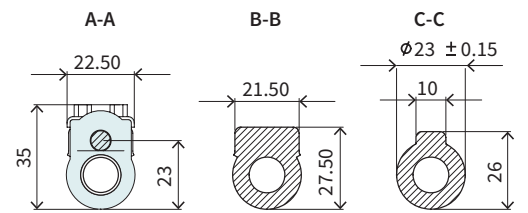
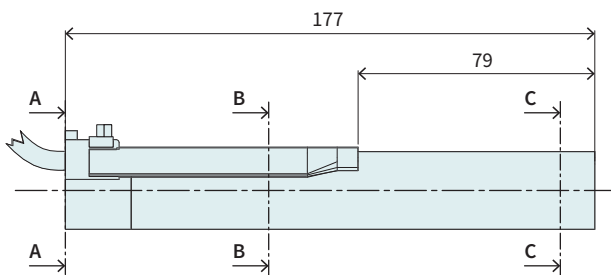
Technical Data				
<b>Stroke</b>				
Standard Stroke (SS)	mm	(in)	≤ 720	(≤ 28.3)
Extended Stroke (ES)	mm	(in)	≤ 780	(≤ 30.69)
<b>Force</b>				
Max. Force @ 48VDC	N	(lbf)	67.1	(15.1)
Max. Force @ 72VDC	N	(lbf)	67.1	(15.1)
Max. Cont. Force [Passive cooling / Fan / Fluid]	N	(lbf)	14 / 23 / -	(3.2 / 5.3 / -)
Max. Border Force relative	%		≤ 63	
Force Constant	N/A <sub>pk</sub>	(lbf/A <sub>pk</sub> )	8.95	(2.01)
<b>Velocity</b>				
Max. Velocity @ 48VDC	m/s	(in/s)	4.9	(189.9)
Max. Velocity @ 72VDC	m/s	(in/s)	7.3	(289.9)
<b>Position Detection</b>				
Position Resolution	mm	(in)	0.002	(0.0001)
Repeatability	mm	(in)	±0.05	(±0.002)
Position Resolution with ES	mm	(in)	0.001	(0.00004)
Repeatability with ES	mm	(in)	±0.01	(±0.0004)
Linearity with ES	mm	(in)	±0.01	(±0.0004)
<b>Electrical Data</b>				
Max. Current @ 48VDC	A <sub>pk</sub>		7.4	
Max. Current @ 72VDC	A <sub>pk</sub>		7.4	
Max. Cont. Current [Passive cooling / Fan / Fluid]	A <sub>pk</sub>		1.6 / 2.6 / -	
Terminal Resistance 25 °C / 150 °C	Ohm		4.2 / 6.2	
Terminal Inductivity	mH		0.6	
Magnetic Period	mm	(in)	20	(0.78)
<b>Thermal Data</b>				
Max. Winding Temperature (Sensor)	°C		120	
Thermal Resistance [Passive cooling / Fan / Fluid]	°K/W		5.4 / 2 / -	
Thermal Time Constant [Passive cooling / Fan / Fluid]	s		650 / 240 / -	
<b>Mechanical Data</b>				
Stator Diameter	mm	(in)	23	(0.91)
Stator Length [Connector type / Cable type]	mm	(in)	162 / 177	(6.4 / 7)
Stator Mass	g	(lb)	265	(0.58)
Slider Diameter	mm	(in)	12	(0.47)
Slider Length	mm	(in)	130 - 850	(5.1 - 33)
Slider Mass	g	(lb)	90 - 700	(0.19 - 1.5)
IP Code			IP 65	

**STATOR CONNECTOR TYPE**



Item	Description	Item-No.
PS01-23x80F-HP-R	Stator HP with IP67 Connector M17/9(m)	0150-1259

**STATOR CABLE TYPE**

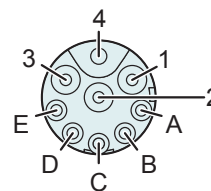


Item	Description	Item-No.
PS01-23x80F-HP-R20	Stator HP, 0.2m Cable, IP67 St. M17/9(m)	0150-1260

**CONNECTOR**

Motor Connector Wiring	PS01-23x80F-HP-R PS01-23x80F-HP-R20	Wire color motor cable
	R-Connector	
Ph 1+	1	red
Ph 1-	2	pink
Ph 2+	3	blue
Ph 2-	4	grey
+5VDC	A	white
GND	B	inner shield
Sin	C	yellow
Cos	D	green
Temp.	E	black
Shield	Housing	outer Shield

**R-Connector**

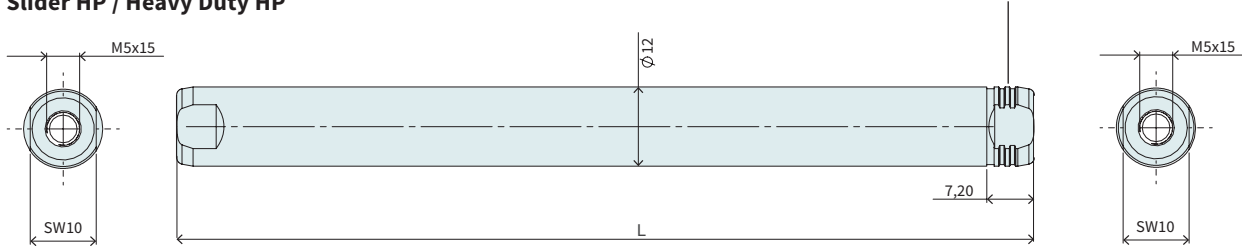


View: Motor Connector, plug side

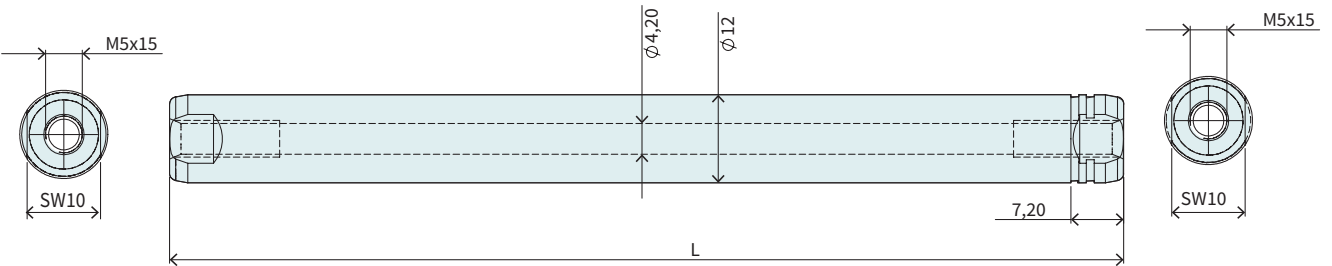
**SLIDER**

Number of grooves determines the slider type (see chapter 2 / slider) and marks the front end.

**Slider HP / Heavy Duty HP**



**Hollow slider HP**



Slider High Performance				
Item	Description	Max. Stroke [mm]	Standard Stroke [mm]	Item-No.
PL01-12x130/90-HP	Slider 'High Performance'	60	0	0150-2209
PL01-12x150/110-HP	Slider 'High Performance'	80	20	0150-2281
PL01-12x170/130-HP	Slider 'High Performance'	100	40	0150-1529
PL01-12x200/160-HP	Slider 'High Performance'	130	70	0150-1518
PL01-12x230/190-HP	Slider 'High Performance'	160	100	0150-1519
PL01-12x270/230-HP	Slider 'High Performance'	200	140	0150-1520
PL01-12x290/250-HP	Slider 'High Performance'	220	160	0150-1521
PL01-12x350/310-HP	Slider 'High Performance'	280	220	0150-1522
PL01-12x420/380-HP	Slider 'High Performance'	350	290	0150-1523
PL01-12x480/440-HP	Slider 'High Performance'	410	350	0150-1524
PL01-12x580/540-HP	Slider 'High Performance'	510	450	0150-1525
PL01-12x760/720-HP	Slider 'High Performance'	690	630	0150-1526
PL01-12x850/810-HP	Slider 'High Performance'	780	720	0150-1527

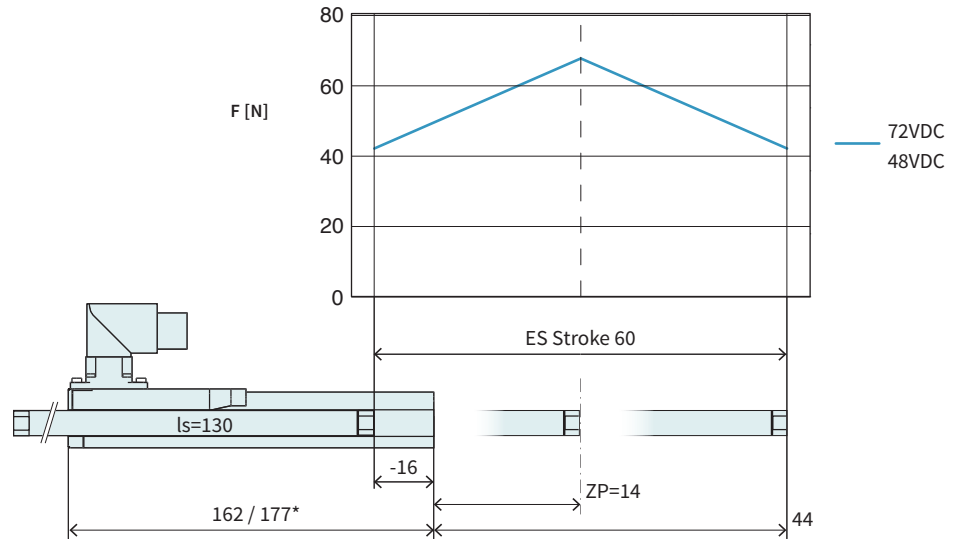
Slider Heavy Duty High Performance				
Item	Description	Max. Stroke [mm]	Standard Stroke [mm]	Item-No.
PL02-12x130/90-HP	Slider 'heavy duty' 'High Performance'	60	0	on request
PL02-12x150/110-HP	Slider 'heavy duty' 'High Performance'	80	20	on request
PL02-12x170/130-HP	Slider 'heavy duty' 'High Performance'	100	40	0150-1559
PL02-12x200/160-HP	Slider 'heavy duty' 'High Performance'	130	70	0150-1532
PL02-12x230/190-HP	Slider 'heavy duty' 'High Performance'	160	100	0150-1552
PL02-12x270/230-HP	Slider 'heavy duty' 'High Performance'	200	140	0150-1533
PL02-12x290/250-HP	Slider 'heavy duty' 'High Performance'	220	160	0150-1495
PL02-12x350/310-HP	Slider 'heavy duty' 'High Performance'	280	220	0150-1555
PL02-12x420/380-HP	Slider 'heavy duty' 'High Performance'	350	290	0150-1554
PL02-12x480/440-HP	Slider 'heavy duty' 'High Performance'	410	350	0150-2519
PL02-12x580/540-HP	Slider 'heavy duty' 'High Performance'	510	450	0150-2520
PL02-12x760/720-HP	Slider 'heavy duty' 'High Performance'	690	630	0150-2521
PL02-12x850/810-HP	Slider 'heavy duty' 'High Performance'	780	720	0150-2516

Slider 'High Performance L'				
Item	Description	Max. Stroke [mm]	Standard Stroke [mm]	Item-No.
PL01-12x130/90-HP-L	Slider 'High Performance L'	60	0	0150-3687
PL01-12x150/110-HP-L	Slider 'High Performance L'	80	20	on request
PL02-12x170/130-HP-L	Slider 'High Performance L'	100	40	0150-3688
PL02-12x200/160-HP-L	Slider 'High Performance L'	130	70	0150-3689
PL02-12x230/190-HP-L	Slider 'High Performance L'	160	100	0150-2546
PL02-12x270/230-HP-L	Slider 'High Performance L'	200	140	0150-2557
PL02-12x290/250-HP-L	Slider 'High Performance L'	220	160	0150-3690
PL02-12x350/310-HP-L	Slider 'High Performance L'	280	220	0150-3691
PL02-12x420/380-HP-L	Slider 'High Performance L'	350	290	0150-3692
PL02-12x480/440-HP-L	Slider 'High Performance L'	410	350	0150-3693
PL02-12x580/540-HP-L	Slider 'High Performance L'	510	450	0150-3694
PL02-12x760/720-HP-L	Slider 'High Performance L'	690	630	0150-3695
PL02-12x850/810-HP-L	Slider 'High Performance L'	780	720	on request



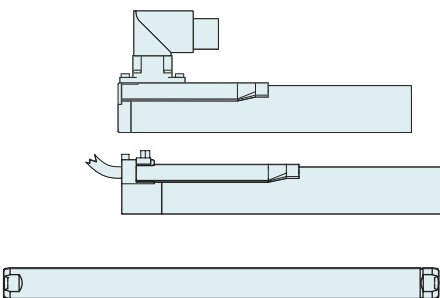
**P01-23x80F/0x60-HP**

**Max. Stroke:** 60 mm  
**Peak Force:** 67 N



Dimensions in mm  
 \*Cable Type

Technical Data P01-23x80F/0x60-HP			
<b>Stroke</b>			
Standard Stroke (SS)	mm (in)		0 (0)
Extended Stroke (ES)	mm (in)		60 (2.35)
<b>Force</b>			
Max. Force @ 48VDC	N (lbf)		67.1 (15.1)
Max. Force @ 72VDC	N (lbf)		67.1 (15.1)
Max. Cont. Force [Passive cooling / Fan / Fluid]	N (lbf)		14 / 23 / - (3.2 / 5.3 / -)
Max. Border Force relative	%		63
Force Constant	N/A <sub>pk</sub> (lbf/A <sub>pk</sub> )		8.95 (2.01)
<b>Velocity</b>			
Max. Velocity @ 48VDC	m/s (in/s)		4.9 (189.9)
Max. Velocity @ 72VDC	m/s (in/s)		7.3 (289.9)
<b>Position Detection</b>			
Repeatability	mm (in)		±0.05 (±0.002)
Linearity	%		± 0.5
<b>Electrical Data</b>			
Max. Current @ 48VDC	A <sub>pk</sub>		7.4
Max. Current @ 72VDC	A <sub>pk</sub>		7.4
Max. Cont. Current [Passive cooling / Fan / Fluid]	A <sub>pk</sub>		1.6 / 2.6 / -
<b>Thermal Data</b>			
Max. Winding Temperature (Sensor)	°C		120
Thermal Resistance [Passive cooling / Fan / Fluid]	*K/W		5.4 / 2 / -
Thermal Time Constant [Passive cooling / Fan / Fluid]	s		650 / 240 / -
<b>Mechanical Data</b>			
Slider Length	mm (in)		130 (5.1)
Slider Mass	g (lb)		90 (0.2)



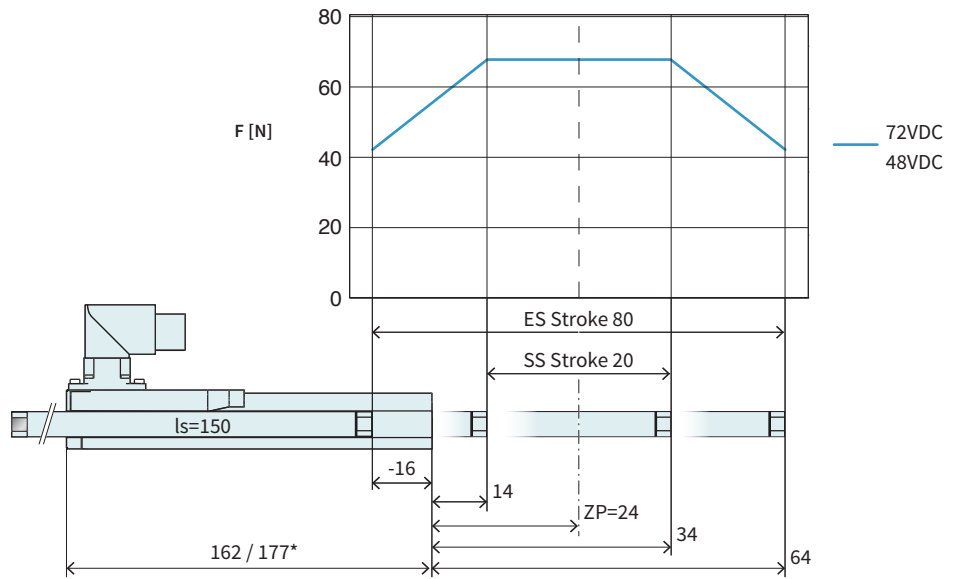
Item	Description	Item-No.
<b>PS01-23x80F-HP-R</b>	Stator HP with IP67 Connector M17/9(m)	0150-1259
<b>PS01-23x80F-HP-R20</b>	Stator HP, 0.2m Cable, IP67 St. M17/9(m)	0150-1260
<b>PL01-12x130/90-HP</b>	Slider 'High Performance'	0150-2209
<b>PL02-12x130/90-HP</b>	Slider 'heavy duty' 'High Performance'	on request
<b>PL01-12x130/90-HP-L*</b>	Slider 'High Performance L'	0150-3687

\* With this slider, the motor specifications above change.

**P01-23x80F/20x80-HP**

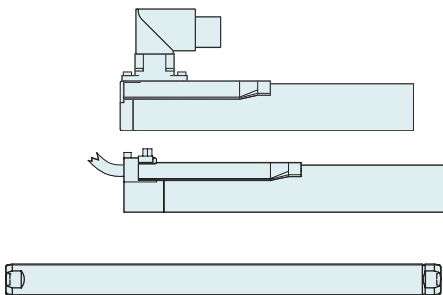
**Max. Stroke:** 80 mm  
**Peak Force:** 67 N

Dimensions in mm  
 \*Cable Type



Technical Data P01-23x80F/20x80-HP

Stroke			
Standard Stroke (SS)	mm (in)		20 (0.78)
Extended Stroke (ES)	mm (in)		80 (3.14)
Force			
Max. Force @ 48VDC	N (lbf)		67.1 (15.1)
Max. Force @ 72VDC	N (lbf)		67.1 (15.1)
Max. Cont. Force [Passive cooling / Fan / Fluid]	N (lbf)		14 / 23 / - (3.2 / 5.3 / -)
Max. Border Force relative	%		63
Force Constant	N/A <sub>pk</sub> (lbf/A <sub>pk</sub> )		8.95 (2.01)
Velocity			
Max. Velocity @ 48VDC	m/s (in/s)		4.9 (189.9)
Max. Velocity @ 72VDC	m/s (in/s)		7.3 (289.9)
Position Detection			
Repeatability	mm (in)		±0.05 (±0.002)
Linearity	%		± 0.4
Electrical Data			
Max. Current @ 48VDC	A <sub>pk</sub>		7.4
Max. Current @ 72VDC	A <sub>pk</sub>		7.4
Max. Cont. Current [Passive cooling / Fan / Fluid]	A <sub>pk</sub>		1.6 / 2.6 / -
Thermal Data			
Max. Winding Temperature (Sensor)	°C		120
Thermal Resistance [Passive cooling / Fan / Fluid]	°K/W		5.4 / 2 / -
Thermal Time Constant [Passive cooling / Fan / Fluid]	s		650 / 240 / -
Mechanical Data			
Slider Length	mm (in)		150 (5.9)
Slider Mass	g (lb)		110 (0.24)

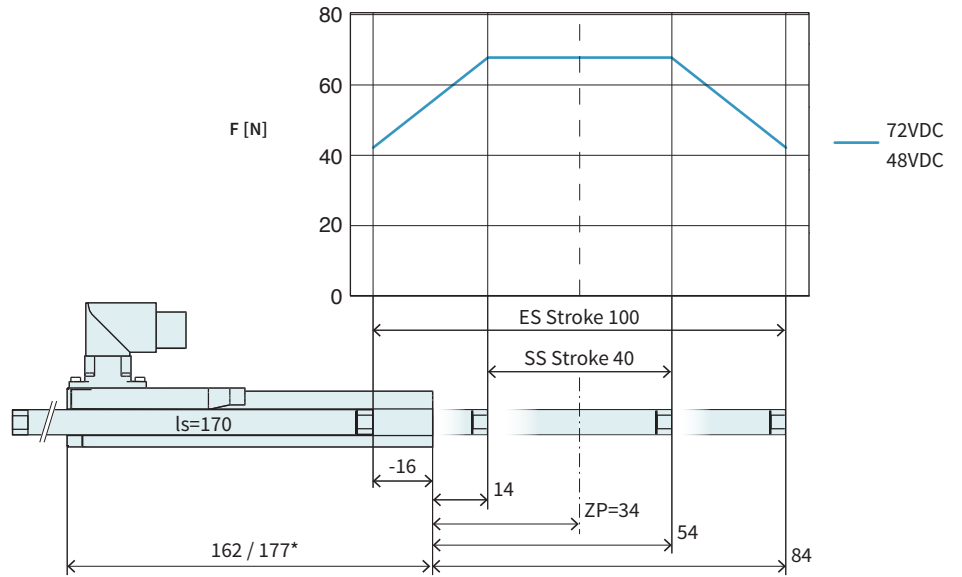


Item	Description	Item-No.
<b>PS01-23x80F-HP-R</b>	Stator HP with IP67 Connector M17/9(m)	0150-1259
<b>PS01-23x80F-HP-R20</b>	Stator HP, 0.2m Cable, IP67 St. M17/9(m)	0150-1260
<b>PL01-12x150/110-HP</b>	Slider 'High Performance'	0150-2281
<b>PL02-12x150/110-HP</b>	Slider 'heavy duty' 'High Performance'	on request
<b>PL01-12x150/110-HP-L*</b>	Slider 'High Performance L'	on request

\* With this slider, the motor specifications above change.

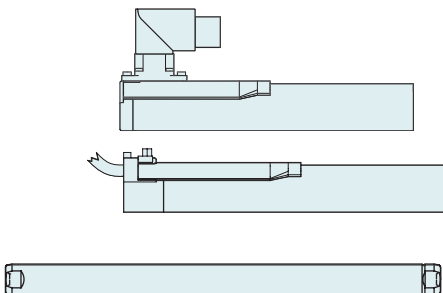
**P01-23x80F/40x100-HP**

**Max. Stroke:** 100 mm  
**Peak Force:** 67 N



Dimensions in mm  
 \*Cable Type

Technical Data P01-23x80F/40x100-HP			
<b>Stroke</b>			
Standard Stroke (SS)	mm (in)		40 (1.57)
Extended Stroke (ES)	mm (in)		100 (3.93)
<b>Force</b>			
Max. Force @ 48VDC	N (lbf)		67.1 (15.1)
Max. Force @ 72VDC	N (lbf)		67.1 (15.1)
Max. Cont. Force [Passive cooling / Fan / Fluid]	N (lbf)		14 / 23 / - (3.2 / 5.3 / -)
Max. Border Force relative	%		63
Force Constant	N/A <sub>pk</sub> (lbf/A <sub>pk</sub> )		8.95 (2.01)
<b>Velocity</b>			
Max. Velocity @ 48VDC	m/s (in/s)		4.9 (189.9)
Max. Velocity @ 72VDC	m/s (in/s)		7.3 (289.9)
<b>Position Detection</b>			
Repeatability	mm (in)		±0.05 (±0.002)
Linearity	%		± 0.35
<b>Electrical Data</b>			
Max. Current @ 48VDC	A <sub>pk</sub>		7.4
Max. Current @ 72VDC	A <sub>pk</sub>		7.4
Max. Cont. Current [Passive cooling / Fan / Fluid]	A <sub>pk</sub>		1.6 / 2.6 / -
<b>Thermal Data</b>			
Max. Winding Temperature (Sensor)	°C		120
Thermal Resistance [Passive cooling / Fan / Fluid]	*K/W		5.4 / 2 / -
Thermal Time Constant [Passive cooling / Fan / Fluid]	s		650 / 240 / -
<b>Mechanical Data</b>			
Slider Length	mm (in)		170 (6.7)
Slider Mass	g (lb)		130 (0.29)

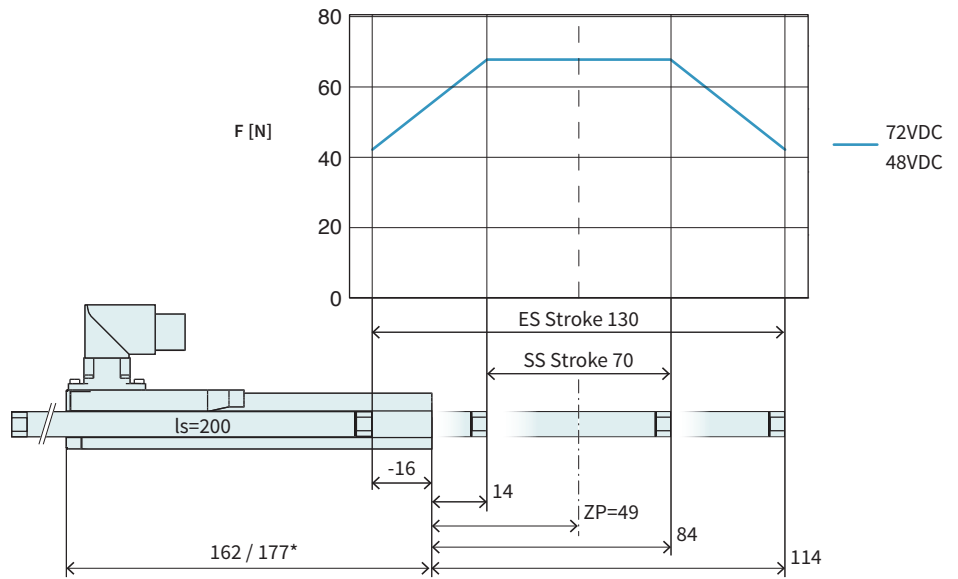


Item	Description	Item-No.
<b>PS01-23x80F-HP-R</b>	Stator HP with IP67 Connector M17/9(m)	0150-1259
<b>PS01-23x80F-HP-R20</b>	Stator HP, 0.2m Cable, IP67 St. M17/9(m)	0150-1260
<b>PL01-12x170/130-HP</b>	Slider 'High Performance'	0150-1529
<b>PL02-12x170/130-HP</b>	Slider 'heavy duty' 'High Performance'	0150-1559
<b>PL01-12x170/130-HP-L*</b>	Slider 'High Performance L'	0150-3688

\* With this slider, the motor specifications above change.

**P01-23x80F/70x130-HP**

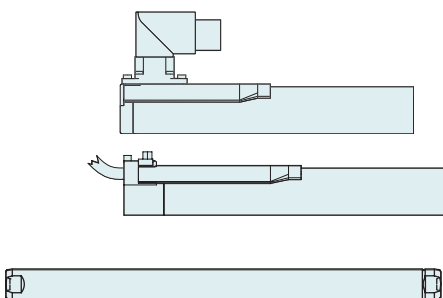
**Max. Stroke:** 130 mm  
**Peak Force:** 67 N



Dimensions in mm  
 \*Cable Type

Technical Data P01-23x80F/70x130-HP

Stroke			
Standard Stroke (SS)	mm (in)		70 (2.75)
Extended Stroke (ES)	mm (in)		130 (5.12)
Force			
Max. Force @ 48VDC	N (lbf)		67.1 (15.1)
Max. Force @ 72VDC	N (lbf)		67.1 (15.1)
Max. Cont. Force [Passive cooling / Fan / Fluid]	N (lbf)		14 / 23 / - (3.2 / 5.3 / -)
Max. Border Force relative	%		63
Force Constant	N/A <sub>pk</sub> (lbf/A <sub>pk</sub> )		8.95 (2.01)
Velocity			
Max. Velocity @ 48VDC	m/s (in/s)		4.9 (189.9)
Max. Velocity @ 72VDC	m/s (in/s)		7.3 (289.9)
Position Detection			
Repeatability	mm (in)		±0.05 (±0.002)
Linearity	%		± 0.3
Electrical Data			
Max. Current @ 48VDC	A <sub>pk</sub>		7.4
Max. Current @ 72VDC	A <sub>pk</sub>		7.4
Max. Cont. Current [Passive cooling / Fan / Fluid]	A <sub>pk</sub>		1.6 / 2.6 / -
Thermal Data			
Max. Winding Temperature (Sensor)	°C		120
Thermal Resistance [Passive cooling / Fan / Fluid]	°K/W		5.4 / 2 / -
Thermal Time Constant [Passive cooling / Fan / Fluid]	s		650 / 240 / -
Mechanical Data			
Slider Length	mm (in)		200 (7.9)
Slider Mass	g (lb)		155 (0.34)



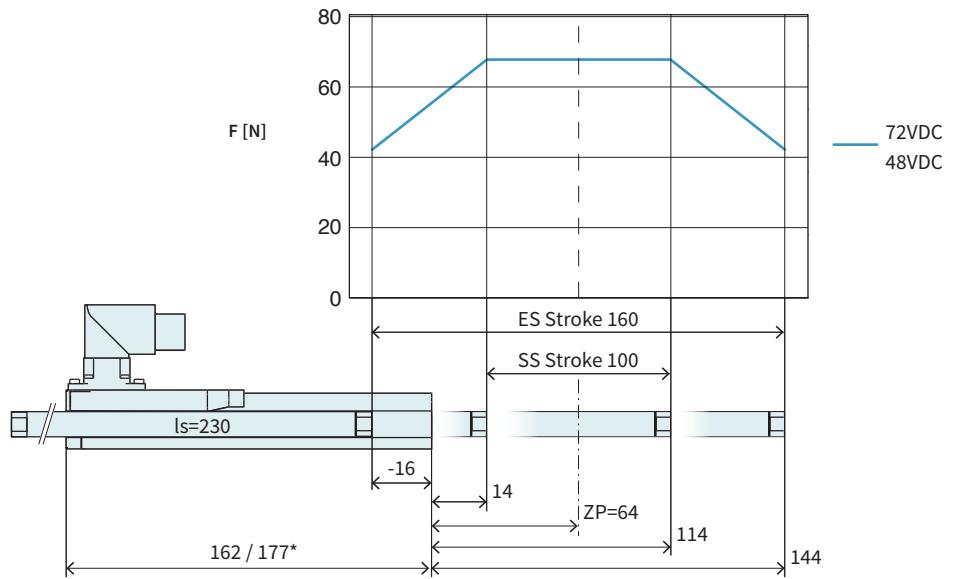
Item	Description	Item-No.
<b>PS01-23x80F-HP-R</b>	Stator HP with IP67 Connector M17/9(m)	0150-1259
<b>PS01-23x80F-HP-R20</b>	Stator HP, 0.2m Cable, IP67 St. M17/9(m)	0150-1260
<b>PL01-12x200/160-HP</b>	Slider 'standard LC'	0150-1518
<b>PL02-12x200/160-HP</b>	Slider 'heavy duty LC'	0150-1532
<b>PL01-12x200/160-HP-L*</b>	Slider 'High Performance L'	0150-3689

\* With this slider, the motor specifications above change.

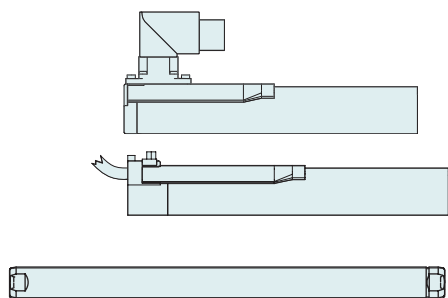
**P01-23x80F/100x160-HP**

**Max. Stroke:** 160 mm  
**Peak Force:** 67 N

Dimensions in mm  
 \*Cable Type



Technical Data P01-23x80F/100x160-HP			
<b>Stroke</b>			
Standard Stroke (SS)	mm (in)	100 (3.93)	
Extended Stroke (ES)	mm (in)	160 (6.29)	
<b>Force</b>			
Max. Force @ 48VDC	N (lbf)	67.1 (15.1)	
Max. Force @ 72VDC	N (lbf)	67.1 (15.1)	
Max. Cont. Force [Passive cooling / Fan / Fluid]	N (lbf)	14 / 23 / - (3.2 / 5.3 / -)	
Max. Border Force relative	%	63	
Force Constant	N/A <sub>pk</sub> (lbf/A <sub>pk</sub> )	8.95 (2.01)	
<b>Velocity</b>			
Max. Velocity @ 48VDC	m/s (in/s)	4.9 (189.9)	
Max. Velocity @ 72VDC	m/s (in/s)	7.3 (289.9)	
<b>Position Detection</b>			
Repeatability	mm (in)	±0.05 (±0.002)	
Linearity	%	± 0.25	
<b>Electrical Data</b>			
Max. Current @ 48VDC	A <sub>pk</sub>	7.4	
Max. Current @ 72VDC	A <sub>pk</sub>	7.4	
Max. Cont. Current [Passive cooling / Fan / Fluid]	A <sub>pk</sub>	1.6 / 2.6 / -	
<b>Thermal Data</b>			
Max. Winding Temperature (Sensor)	°C	120	
Thermal Resistance [Passive cooling / Fan / Fluid]	*K/W	5.4 / 2 / -	
Thermal Time Constant [Passive cooling / Fan / Fluid]	s	650 / 240 / -	
<b>Mechanical Data</b>			
Slider Length	mm (in)	230 (9.1)	
Slider Mass	g (lb)	180 (0.4)	

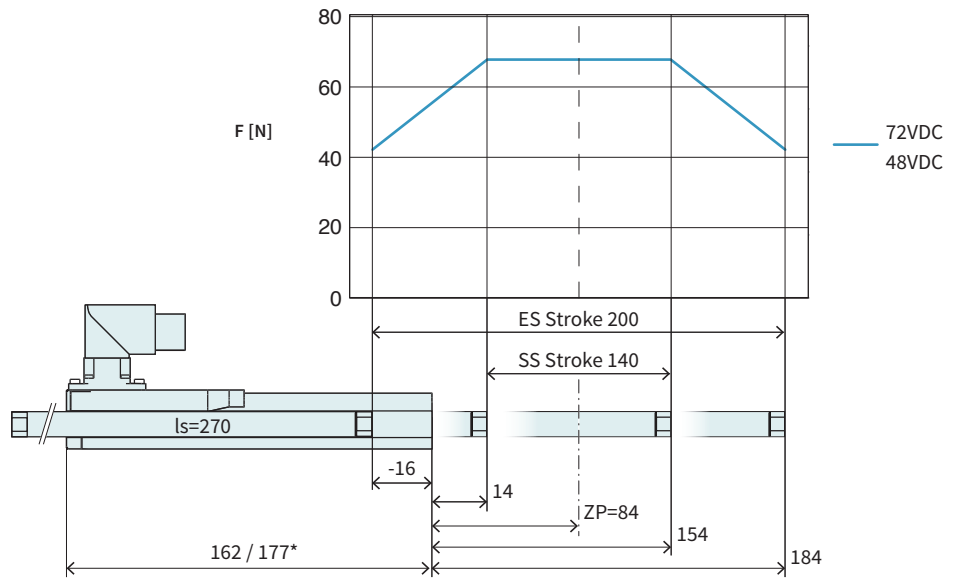


Item	Description	Item-No.
<b>PS01-23x80F-HP-R</b>	Stator HP with IP67 Connector M17/9(m)	0150-1259
<b>PS01-23x80F-HP-R20</b>	Stator HP, 0.2m Cable, IP67 St. M17/9(m)	0150-1260
<b>PL01-12x230/190-HP</b>	Slider 'High Performance'	0150-1519
<b>PL02-12x230/190-HP</b>	Slider 'heavy duty' 'High Performance'	0150-1552
<b>PL01-12x230/190-HP-L*</b>	Slider 'High Performance' L'	0150-2546

\* With this slider, the motor specifications above change.

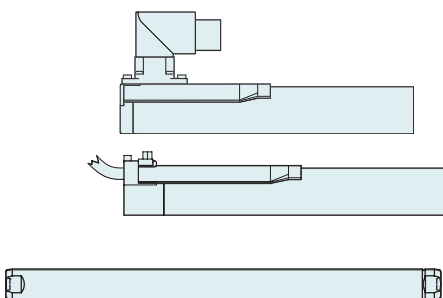
**P01-23x80F/140x200-HP**

**Max. Stroke:** 200 mm  
**Peak Force:** 67 N



Dimensions in mm  
 \*Cable Type

Technical Data P01-23x80F/140x200-HP			
<b>Stroke</b>			
Standard Stroke (SS)	mm (in)		140 (5.5)
Extended Stroke (ES)	mm (in)		200 (7.86)
<b>Force</b>			
Max. Force @ 48VDC	N (lbf)		67.1 (15.1)
Max. Force @ 72VDC	N (lbf)		67.1 (15.1)
Max. Cont. Force [Passive cooling / Fan / Fluid]	N (lbf)		14 / 23 / - (3.2 / 5.3 / -)
Max. Border Force relative	%		63
Force Constant	N/A <sub>pk</sub> (lbf/A <sub>pk</sub> )		8.95 (2.01)
<b>Velocity</b>			
Max. Velocity @ 48VDC	m/s (in/s)		4.9 (189.9)
Max. Velocity @ 72VDC	m/s (in/s)		7.3 (289.9)
<b>Position Detection</b>			
Repeatability	mm (in)		±0.05 (±0.002)
Linearity	%		± 0.2
<b>Electrical Data</b>			
Max. Current @ 48VDC	A <sub>pk</sub>		7.4
Max. Current @ 72VDC	A <sub>pk</sub>		7.4
Max. Cont. Current [Passive cooling / Fan / Fluid]	A <sub>pk</sub>		1.6 / 2.6 / -
<b>Thermal Data</b>			
Max. Winding Temperature (Sensor)	°C		120
Thermal Resistance [Passive cooling / Fan / Fluid]	°K/W		5.4 / 2 / -
Thermal Time Constant [Passive cooling / Fan / Fluid]	s		650 / 240 / -
<b>Mechanical Data</b>			
Slider Length	mm (in)		270 (11)
Slider Mass	g (lb)		215 (0.47)

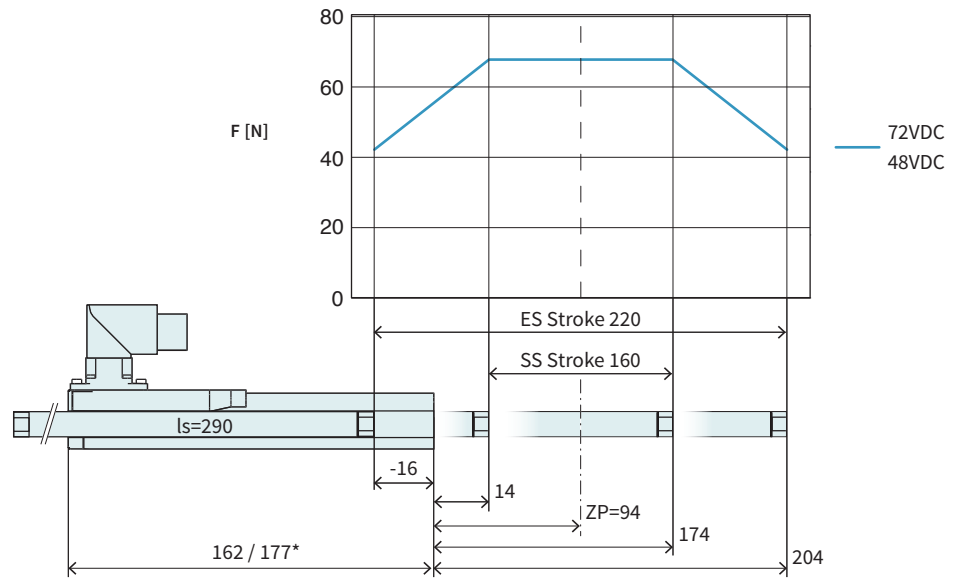


Item	Description	Item-No.
<b>PS01-23x80F-HP-R</b>	Stator HP with IP67 Connector M17/9(m)	0150-1259
<b>PS01-23x80F-HP-R20</b>	Stator HP, 0.2m Cable, IP67 St. M17/9(m)	0150-1260
<b>PL01-12x270/230-HP</b>	Slider 'standard LC'	0150-1520
<b>PL02-12x270/230-HP</b>	Slider 'heavy duty LC'	0150-1533
<b>PL01-12x270/230-HP-L*</b>	Slider 'High Performance L'	0150-2557

\* With this slider, the motor specifications above change.

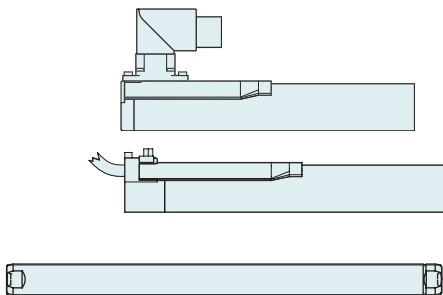
**P01-23x80F/160x220-HP**

**Max. Stroke:** 220 mm  
**Peak Force:** 67 N



Dimensions in mm  
 \*Cable Type

Technical Data P01-23x80F/160x220-HP			
<b>Stroke</b>			
Standard Stroke (SS)	mm (in)	160 (6.29)	
Extended Stroke (ES)	mm (in)	220 (8.65)	
<b>Force</b>			
Max. Force @ 48VDC	N (lbf)	67.1 (15.1)	
Max. Force @ 72VDC	N (lbf)	67.1 (15.1)	
Max. Cont. Force [Passive cooling / Fan / Fluid]	N (lbf)	14 / 23 / - (3.2 / 5.3 / -)	
Max. Border Force relative	%	63	
Force Constant	N/A <sub>pk</sub> (lbf/A <sub>pk</sub> )	8.95 (2.01)	
<b>Velocity</b>			
Max. Velocity @ 48VDC	m/s (in/s)	4.9 (189.9)	
Max. Velocity @ 72VDC	m/s (in/s)	7.3 (289.9)	
<b>Position Detection</b>			
Repeatability	mm (in)	±0.05 (±0.002)	
Linearity	%	± 0.2	
<b>Electrical Data</b>			
Max. Current @ 48VDC	A <sub>pk</sub>	7.4	
Max. Current @ 72VDC	A <sub>pk</sub>	7.4	
Max. Cont. Current [Passive cooling / Fan / Fluid]	A <sub>pk</sub>	1.6 / 2.6 / -	
<b>Thermal Data</b>			
Max. Winding Temperature (Sensor)	°C	120	
Thermal Resistance [Passive cooling / Fan / Fluid]	*K/W	5.4 / 2 / -	
Thermal Time Constant [Passive cooling / Fan / Fluid]	s	650 / 240 / -	
<b>Mechanical Data</b>			
Slider Length	mm (in)	290 (11)	
Slider Mass	g (lb)	230 (0.51)	

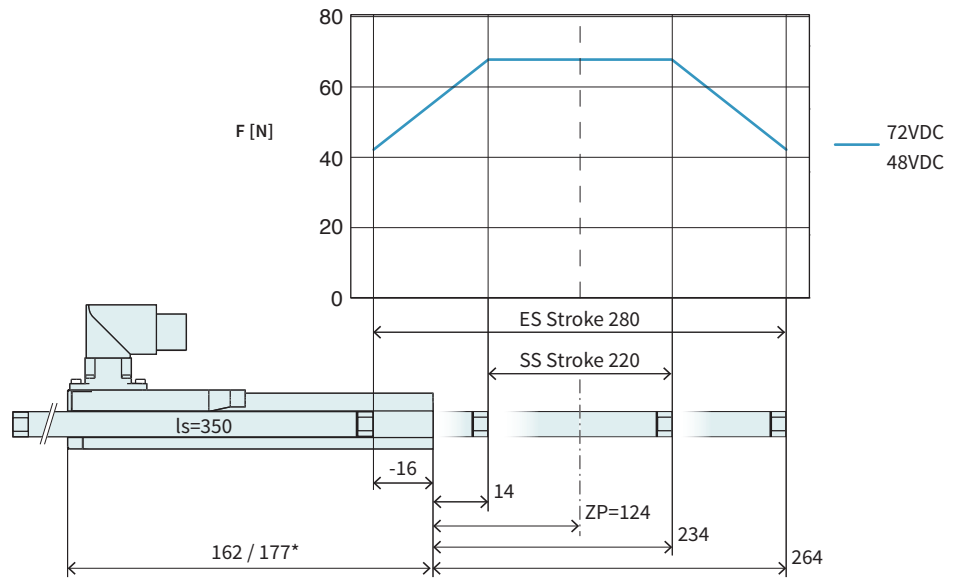


Item	Description	Item-No.
<b>PS01-23x80F-HP-R</b>	Stator HP with IP67 Connector M17/9(m)	0150-1259
<b>PS01-23x80F-HP-R20</b>	Stator HP, 0.2m Cable, IP67 St. M17/9(m)	0150-1260
<b>PL01-12x290/250-HP</b>	Slider 'High Performance'	0150-1521
<b>PL02-12x290/250-HP</b>	Slider 'heavy duty' 'High Performance'	0150-1495
<b>PL01-12x290/250-HP-L*</b>	Slider 'High Performance L'	0150-3690

\* With this slider, the motor specifications above change.

**P01-23x80F/220x280-HP**

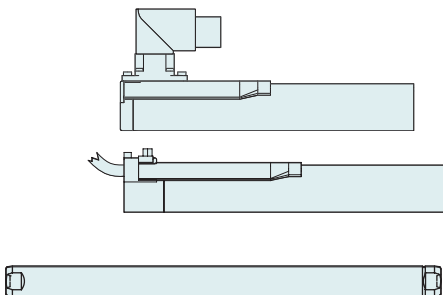
**Max. Stroke:** 280 mm  
**Peak Force:** 67 N



Dimensions in mm  
 \*Cable Type

Technical Data P01-23x80F/220x280-HP

Stroke			
Standard Stroke (SS)	mm (in)	220 (8.65)	
Extended Stroke (ES)	mm (in)	280 (10.99)	
Force			
Max. Force @ 48VDC	N (lbf)	67.1 (15.1)	
Max. Force @ 72VDC	N (lbf)	67.1 (15.1)	
Max. Cont. Force [Passive cooling / Fan / Fluid]	N (lbf)	14 / 23 / - (3.2 / 5.3 / -)	
Max. Border Force relative	%	63	
Force Constant	N/A <sub>pk</sub> (lbf/A <sub>pk</sub> )	8.95 (2.01)	
Velocity			
Max. Velocity @ 48VDC	m/s (in/s)	4.9 (189.9)	
Max. Velocity @ 72VDC	m/s (in/s)	7.3 (289.9)	
Position Detection			
Repeatability	mm (in)	±0.05 (±0.002)	
Linearity	%	± 0.2	
Electrical Data			
Max. Current @ 48VDC	A <sub>pk</sub>	7.4	
Max. Current @ 72VDC	A <sub>pk</sub>	7.4	
Max. Cont. Current [Passive cooling / Fan / Fluid]	A <sub>pk</sub>	1.6 / 2.6 / -	
Thermal Data			
Max. Winding Temperature (Sensor)	°C	120	
Thermal Resistance [Passive cooling / Fan / Fluid]	°K/W	5.4 / 2 / -	
Thermal Time Constant [Passive cooling / Fan / Fluid]	s	650 / 240 / -	
Mechanical Data			
Slider Length	mm (in)	350 (14)	
Slider Mass	g (lb)	280 (0.62)	



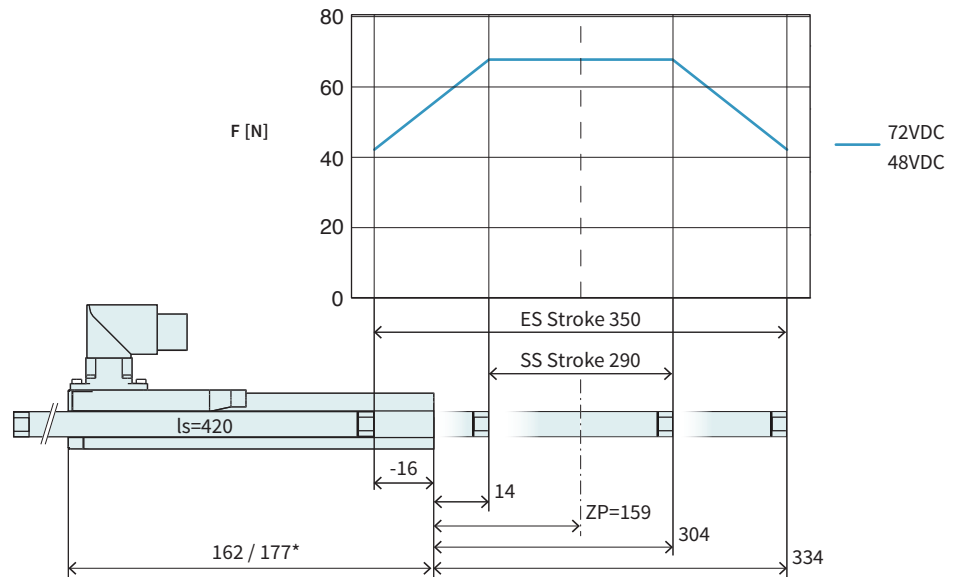
Item	Description	Item-No.
<b>PS01-23x80F-HP-R</b>	Stator HP with IP67 Connector M17/9(m)	0150-1259
<b>PS01-23x80F-HP-R20</b>	Stator HP, 0.2m Cable, IP67 St. M17/9(m)	0150-1260
<b>PL01-12x350/310-HP</b>	Slider 'standard LC'	0150-1522
<b>PL02-12x350/310-HP</b>	Slider 'heavy duty LC'	0150-1555
<b>PL01-12x350/310-HP-L*</b>	Slider 'High Performance L'	0150-3691

\* With this slider, the motor specifications above change.



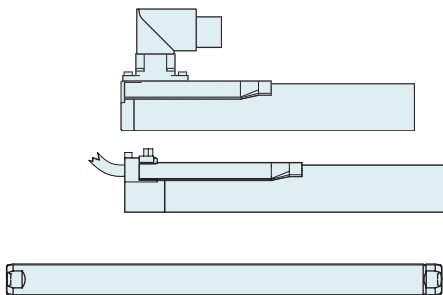
**P01-23x80F/290x350-HP**

**Max. Stroke:** 350 mm  
**Peak Force:** 67 N



Dimensions in mm  
 \*Cable Type

Technical Data P01-23x80F/290x350-HP			
<b>Stroke</b>			
Standard Stroke (SS)	mm (in)		290 (11.4)
Extended Stroke (ES)	mm (in)		350 (13.8)
<b>Force</b>			
Max. Force @ 48VDC	N (lbf)		67.1 (15.1)
Max. Force @ 72VDC	N (lbf)		67.1 (15.1)
Max. Cont. Force [Passive cooling / Fan / Fluid]	N (lbf)		14 / 23 / - (3.2 / 5.3 / -)
Max. Border Force relative	%		63
Force Constant	N/A <sub>pk</sub> (lbf/A <sub>pk</sub> )		8.95 (2.01)
<b>Velocity</b>			
Max. Velocity @ 48VDC	m/s (in/s)		4.9 (189.9)
Max. Velocity @ 72VDC	m/s (in/s)		7.3 (289.9)
<b>Position Detection</b>			
Repeatability	mm (in)		±0.05 (±0.002)
Linearity	%		±0.15
<b>Electrical Data</b>			
Max. Current @ 48VDC	A <sub>pk</sub>		7.4
Max. Current @ 72VDC	A <sub>pk</sub>		7.4
Max. Cont. Current [Passive cooling / Fan / Fluid]	A <sub>pk</sub>		1.6 / 2.6 / -
<b>Thermal Data</b>			
Max. Winding Temperature (Sensor)	°C		120
Thermal Resistance [Passive cooling / Fan / Fluid]	*K/W		5.4 / 2 / -
Thermal Time Constant [Passive cooling / Fan / Fluid]	s		650 / 240 / -
<b>Mechanical Data</b>			
Slider Length	mm (in)		420 (17)
Slider Mass	g (lb)		340 (0.75)



Item	Description	Item-No.
<b>PS01-23x80F-HP-R</b>	Stator HP with IP67 Connector M17/9(m)	0150-1259
<b>PS01-23x80F-HP-R20</b>	Stator HP, 0.2m Cable, IP67 St. M17/9(m)	0150-1260
<b>PL01-12x420/380-HP</b>	Slider 'High Performance'	0150-1523
<b>PL02-12x420/380-HP</b>	Slider 'heavy duty' 'High Performance'	0150-1554
<b>PL01-12x420/380-HP-L*</b>	Slider 'High Performance L'	0150-3692

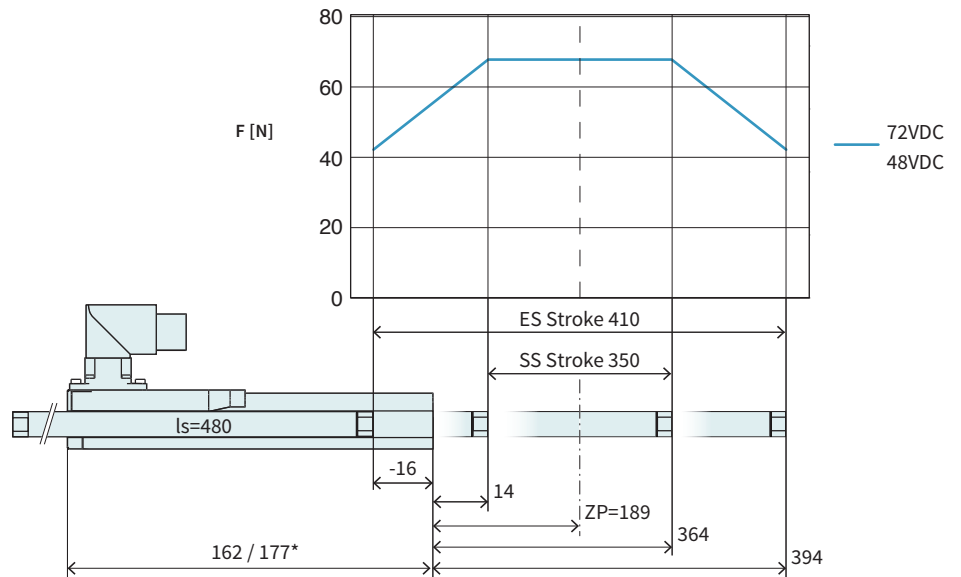
\* With this slider, the motor specifications above change.

**P01-23x80F/350x410-HP**

3

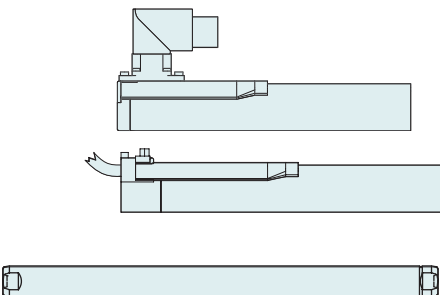
**Max. Stroke:** 410 mm  
**Peak Force:** 67 N

Dimensions in mm  
 \*Cable Type



**Technical Data P01-23x80F/350x410-HP**

Stroke			
Standard Stroke (SS)	mm (in)		350 (13.8)
Extended Stroke (ES)	mm (in)		410 (16.1)
Force			
Max. Force @ 48VDC	N (lbf)		67.1 (15.1)
Max. Force @ 72VDC	N (lbf)		67.1 (15.1)
Max. Cont. Force [Passive cooling / Fan / Fluid]	N (lbf)		14 / 23 / - (3.2 / 5.3 / -)
Max. Border Force relative	%		63
Force Constant	N/A <sub>pk</sub> (lbf/A <sub>pk</sub> )		8.95 (2.01)
Velocity			
Max. Velocity @ 48VDC	m/s (in/s)		4.9 (189.9)
Max. Velocity @ 72VDC	m/s (in/s)		7.3 (289.9)
Position Detection			
Repeatability	mm (in)		±0.05 (±0.002)
Linearity	%		± 0.15
Electrical Data			
Max. Current @ 48VDC	A <sub>pk</sub>		7.4
Max. Current @ 72VDC	A <sub>pk</sub>		7.4
Max. Cont. Current [Passive cooling / Fan / Fluid]	A <sub>pk</sub>		1.6 / 2.6 / -
Thermal Data			
Max. Winding Temperature (Sensor)	°C		120
Thermal Resistance [Passive cooling / Fan / Fluid]	°K/W		5.4 / 2 / -
Thermal Time Constant [Passive cooling / Fan / Fluid]	s		650 / 240 / -
Mechanical Data			
Slider Length	mm (in)		480 (19)
Slider Mass	g (lb)		390 (0.86)

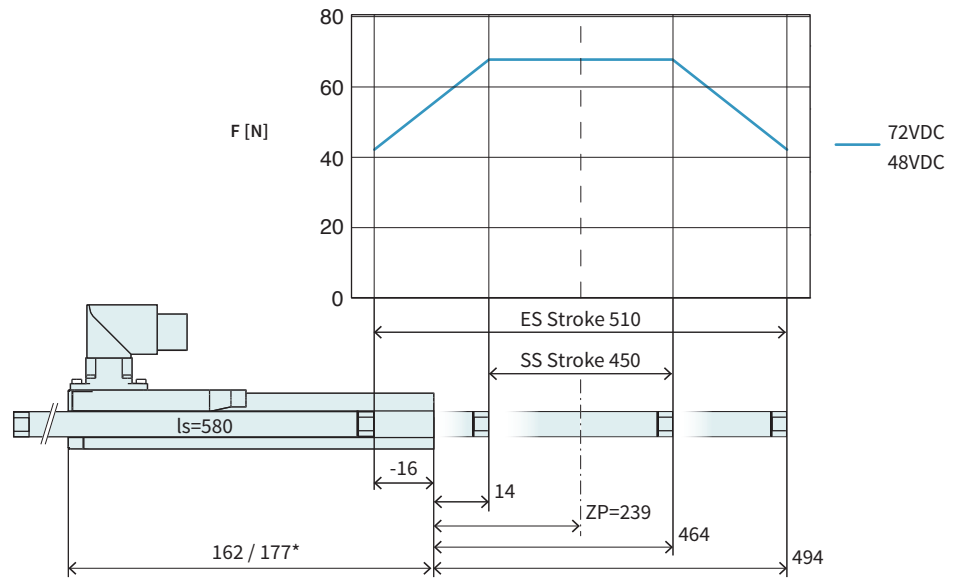


Item	Description	Item-No.
<b>PS01-23x80F-HP-R</b>	Stator HP with IP67 Connector M17/9(m)	0150-1259
<b>PS01-23x80F-HP-R20</b>	Stator HP, 0.2m Cable, IP67 St. M17/9(m)	0150-1260
<b>PL01-12x480/440-HP</b>	Slider 'standard LC'	0150-1524
<b>PL02-12x480/440-HP</b>	Slider 'heavy duty LC'	0150-2519
<b>PL01-12x480/440-HP-L*</b>	Slider 'High Performance L'	0150-3693

\* With this slider, the motor specifications above change.

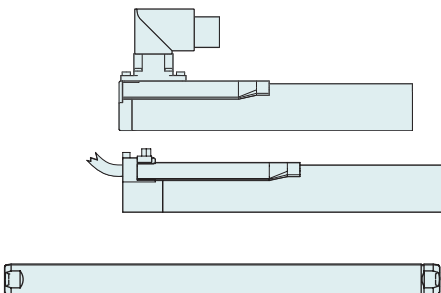
**P01-23x80F/450x510-HP**

**Max. Stroke:** 510 mm  
**Peak Force:** 67 N



Dimensions in mm  
 \*Cable Type

Technical Data P01-23x80F/450x510-HP			
<b>Stroke</b>			
Standard Stroke (SS)	mm (in)		450 (17.69)
Extended Stroke (ES)	mm (in)		510 (20.1)
<b>Force</b>			
Max. Force @ 48VDC	N (lbf)		67.1 (15.1)
Max. Force @ 72VDC	N (lbf)		67.1 (15.1)
Max. Cont. Force [Passive cooling / Fan / Fluid]	N (lbf)		14 / 23 / - (3.2 / 5.3 / -)
Max. Border Force relative	%		63
Force Constant	N/A <sub>pk</sub> (lbf/A <sub>pk</sub> )		8.95 (2.01)
<b>Velocity</b>			
Max. Velocity @ 48VDC	m/s (in/s)		4.9 (189.9)
Max. Velocity @ 72VDC	m/s (in/s)		7.3 (289.9)
<b>Position Detection</b>			
Repeatability	mm (in)		±0.05 (±0.002)
Linearity	%		± 0.15
<b>Electrical Data</b>			
Max. Current @ 48VDC	A <sub>pk</sub>		7.4
Max. Current @ 72VDC	A <sub>pk</sub>		7.4
Max. Cont. Current [Passive cooling / Fan / Fluid]	A <sub>pk</sub>		1.6 / 2.6 / -
<b>Thermal Data</b>			
Max. Winding Temperature (Sensor)	°C		120
Thermal Resistance [Passive cooling / Fan / Fluid]	*K/W		5.4 / 2 / -
Thermal Time Constant [Passive cooling / Fan / Fluid]	s		650 / 240 / -
<b>Mechanical Data</b>			
Slider Length	mm (in)		580 (23)
Slider Mass	g (lb)		480 (1.06)



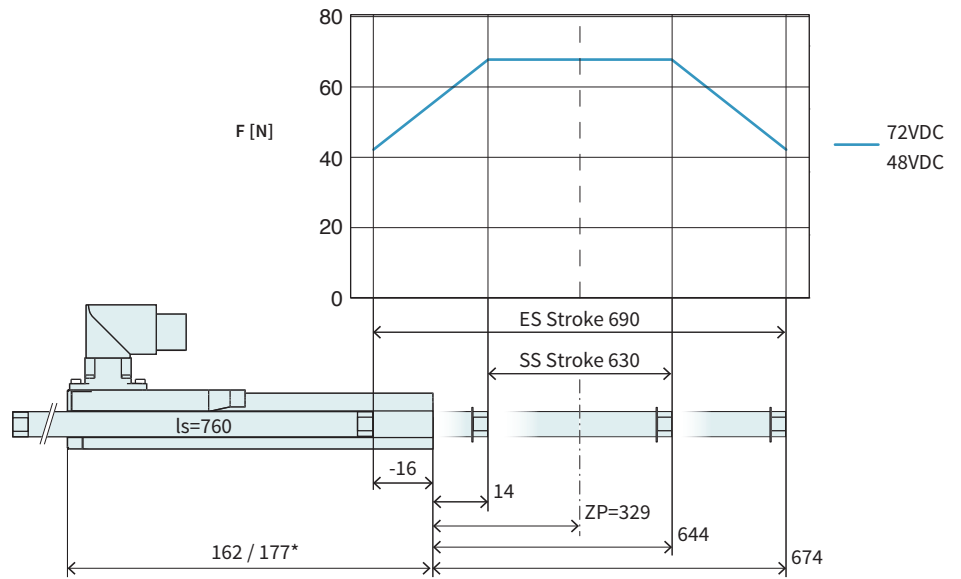
Item	Description	Item-No.
<b>PS01-23x80F-HP-R</b>	Stator HP with IP67 Connector M17/9(m)	0150-1259
<b>PS01-23x80F-HP-R20</b>	Stator HP, 0.2m Cable, IP67 St. M17/9(m)	0150-1260
<b>PL01-12x580/540-HP</b>	Slider 'High Performance'	0150-1525
<b>PL02-12x580/540-HP</b>	Slider 'heavy duty' 'High Performance'	0150-2520
<b>PL01-12x580/540-HP-L*</b>	Slider 'High Performance L'	0150-3694

\* With this slider, the motor specifications above change.

**P01-23x80F/630x690-HP**

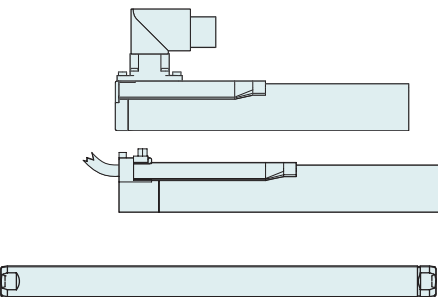
**Max. Stroke:** 690 mm  
**Peak Force:** 67 N

Dimensions in mm  
 \*Cable Type



**Technical Data P01-23x80F/630x690-HP**

Stroke			
Standard Stroke (SS)	mm (in)		630 (24.8)
Extended Stroke (ES)	mm (in)		690 (27.19)
Force			
Max. Force @ 48VDC	N (lbf)		67.1 (15.1)
Max. Force @ 72VDC	N (lbf)		67.1 (15.1)
Max. Cont. Force [Passive cooling / Fan / Fluid]	N (lbf)		14 / 23 / - (3.2 / 5.3 / -)
Max. Border Force relative	%		63
Force Constant	N/A <sub>pk</sub> (lbf/A <sub>pk</sub> )		8.95 (2.01)
Velocity			
Max. Velocity @ 48VDC	m/s (in/s)		4.9 (189.9)
Max. Velocity @ 72VDC	m/s (in/s)		7.3 (289.9)
Position Detection			
Repeatability	mm (in)		±0.05 (±0.002)
Linearity	%		± 0.15
Electrical Data			
Max. Current @ 48VDC	A <sub>pk</sub>		7.4
Max. Current @ 72VDC	A <sub>pk</sub>		7.4
Max. Cont. Current [Passive cooling / Fan / Fluid]	A <sub>pk</sub>		1.6 / 2.6 / -
Thermal Data			
Max. Winding Temperature (Sensor)	°C		120
Thermal Resistance [Passive cooling / Fan / Fluid]	°K/W		5.4 / 2 / -
Thermal Time Constant [Passive cooling / Fan / Fluid]	s		650 / 240 / -
Mechanical Data			
Slider Length	mm (in)		760 (30)
Slider Mass	g (lb)		630 (1.4)

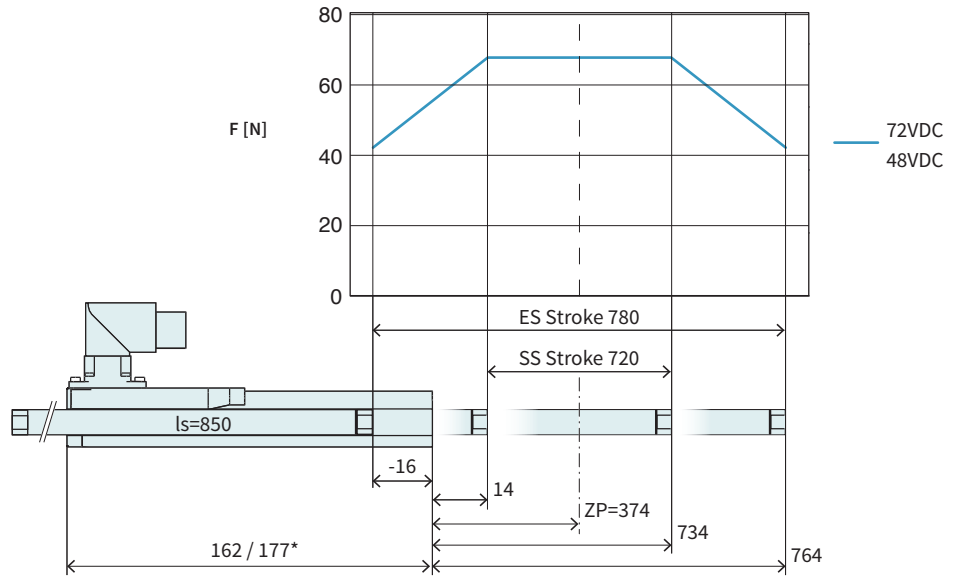


Item	Description	Item-No.
<b>PS01-23x80F-HP-R</b>	Stator HP with IP67 Connector M17/9(m)	0150-1259
<b>PS01-23x80F-HP-R20</b>	Stator HP, 0.2m Cable, IP67 St. M17/9(m)	0150-1260
<b>PL01-12x760/720-HP</b>	Slider 'standard LC'	0150-1526
<b>PL02-12x760/720-HP</b>	Slider 'heavy duty LC'	0150-2521
<b>PL01-12x760/720-HP-L*</b>	Slider 'High Performance L'	0150-3695

\* With this slider, the motor specifications above change.

**P01-23x80F/720x780-HP**

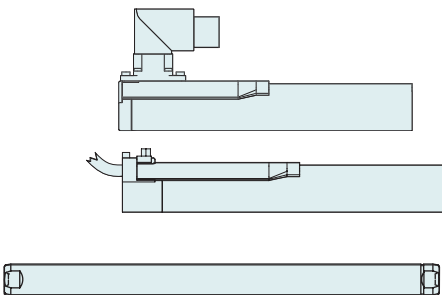
**Max. Stroke:** 780 mm  
**Peak Force:** 67 N



Dimensions in mm  
 \*Cable Type

**Technical Data P01-23x80F/720x780-HP**

Stroke			
Standard Stroke (SS)	mm (in)		720 (28.3)
Extended Stroke (ES)	mm (in)		780 (30.69)
Force			
Max. Force @ 48VDC	N (lbf)		67.1 (15.1)
Max. Force @ 72VDC	N (lbf)		67.1 (15.1)
Max. Cont. Force [Passive cooling/ Fan / Fluid]	N (lbf)		14 / 23 / - (3.2 / 5.3 / -)
Max. Border Force relative	%		63
Force Constant	N/A <sub>pk</sub> (lbf/A <sub>pk</sub> )		8.95 (2.01)
Velocity			
Max. Velocity @ 48VDC	m/s (in/s)		4.9 (189.9)
Max. Velocity @ 72VDC	m/s (in/s)		7.3 (289.9)
Position Detection			
Repeatability	mm (in)		±0.05 (±0.002)
Linearity	%		± 0.15
Electrical Data			
Max. Current @ 48VDC	A <sub>pk</sub>		7.4
Max. Current @ 72VDC	A <sub>pk</sub>		7.4
Max. Cont. Current [Passive cooling / Fan / Fluid]	A <sub>pk</sub>		1.6 / 2.6 / -
Thermal Data			
Max. Winding Temperature (Sensor)	°C		120
Thermal Resistance [Passive cooling / Fan / Fluid]	°K/W		5.4 / 2 / -
Thermal Time Constant [Passive cooling / Fan / Fluid]	s		650 / 240 / -
Mechanical Data			
Slider Length	mm (in)		850 (33)
Slider Mass	g (lb)		700 (1.5)



Item	Description	Item-No.
<b>PS01-23x80F-HP-R</b>	Stator HP with IP67 Connector M17/9(m)	0150-1259
<b>PS01-23x80F-HP-R20</b>	Stator HP, 0.2m Cable, IP67 St. M17/9(m)	0150-1260
<b>PL01-12x850/810-HP</b>	Slider 'High Performance'	0150-1527
<b>PL02-12x850/810-HP</b>	Slider 'heavy duty' 'High Performance'	0150-2516
<b>PL01-12x850/810-HP-L*</b>	Slider 'High Performance' L'	on request

\* With this slider, the motor specifications above change.

**Linear Guides H01**

3



**HM01-23x80/60 Linear Module 23x80 with 60 mm Stroke**

→	H-Guide	H01-23x86/60	H-Guide for P01-23x80, Stroke max 60mm	0150-5014
		H01-23x86/60-GF	H-Guide for P01-23x80, Stroke max 60mm	0150-5074
→	Stator	PS01-23x80F-HP-R	Stator HP with IP67 Connector M17/9(m)	0150-1259
		PS01-23x80F-HP-R20	Stator HP, 0.2m Cable, IP67 St. M17/9(m)	0150-1260
→	Slider	PL01-12x200/160-HP	Slider 'High Performance'	0150-1518

**HM01-23x80/160 Linear Module 23x80 with 160 mm Stroke**

→	H-Guide	H01-23x86/160	H-Guide for P01-23x80, Stroke max 160mm	0150-5015
		H01-23x86/160-GF	H-Guide for P01-23x80, Stroke max 160mm	0150-5075
→	Stator	PS01-23x80F-HP-R	Stator HP with IP67 Connector M17/9(m)	0150-1259
		PS01-23x80F-HP-R20	Stator HP, 0.2m Cable, IP67 St. M17/9(m)	0150-1260
→	Slider	PL01-12x290/250-HP	Slider 'standard LC'	0150-1521

**HM01-23x80/260 Linear Module 23x80 with 260 mm Stroke**

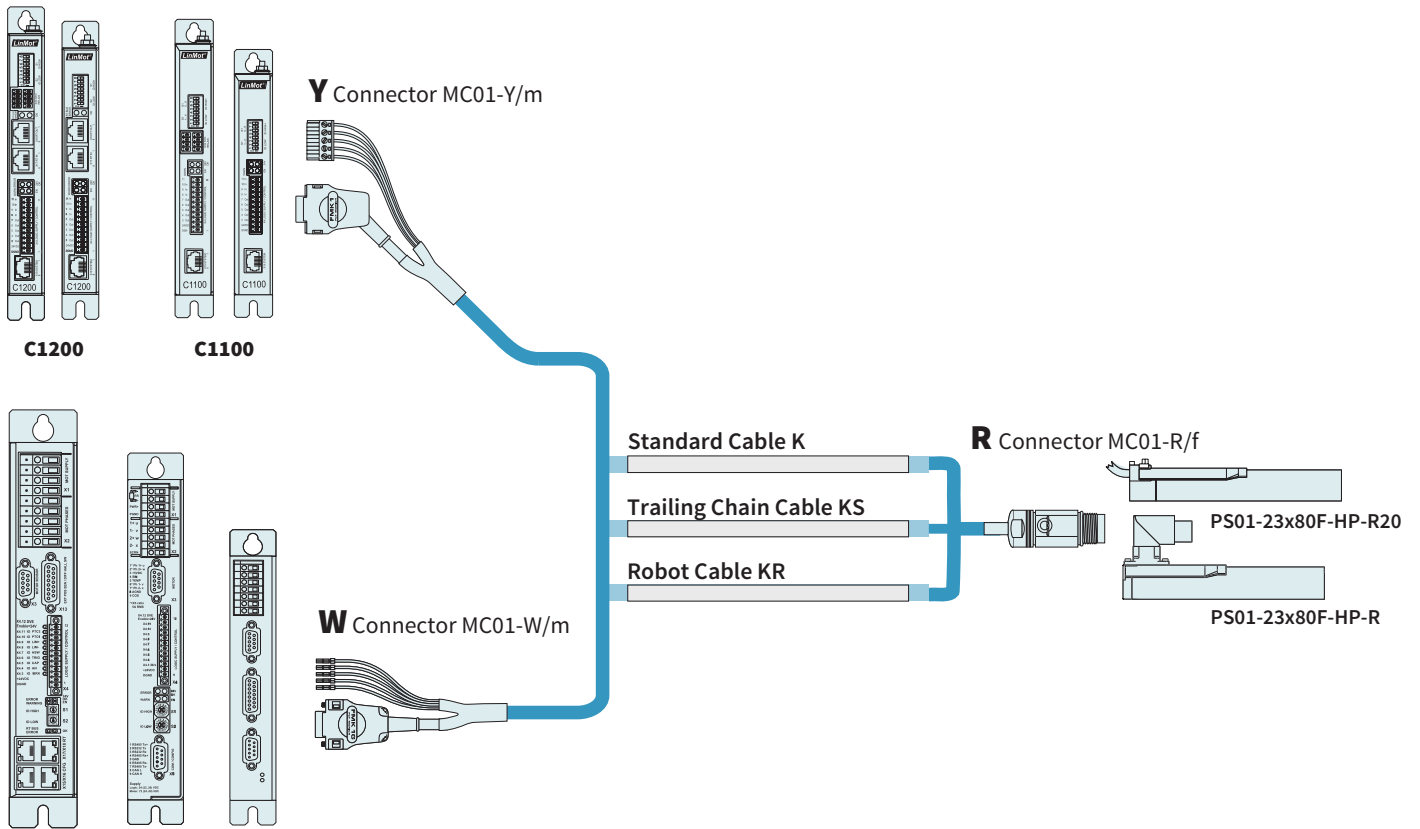
→	H-Guide	H01-23x86/260	H-Guide for P01-23x80, Stroke max 260mm	0150-5016
		H01-23x86/260-GF	H-Guide for P01-23x80, Stroke max 260mm	0150-5076
→	Stator	PS01-23x80F-HP-R	Stator HP with IP67 Connector M17/9(m)	0150-1259
		PS01-23x80F-HP-R20	Stator HP, 0.2m Cable, IP67 St. M17/9(m)	0150-1260
→	Slider	PL01-12x420/380-HP	Slider 'High Performance'	0150-1523

**Accessories**

→	Fan	HV01-23	Fan cooling for H01-23	0150-5050
→	MagSpring	MF01-20/H23	Flange MagSpring 20 / H-Guide 23	0250-2306
		MA01-20/H23	Flange MagSpring 20 / H-Guide 23	0250-0116
→	Centering sleeve	HC01-09/04	Centering sleeve D9x4 mm	0150-3251

FIND MORE PRODUCT DETAILS IN THE CHAPTER "LINEAR GUIDES".

**Motor Cable**



**ORDERING INFORMATION**

STANDARD CABLE		
Item	Description	Item-No.
<b>K05-W/R-2</b>	Motor Cable W/R, 2 m	0150-2119
<b>K05-W/R-4</b>	Motor Cable W/R, 4 m	0150-2120
<b>K05-W/R-6</b>	Motor Cable W/R, 6 m	0150-2121
<b>K05-W/R-8</b>	Motor Cable W/R, 8 m	0150-2122
<b>K05-W/R-</b>	Motor Cable W/R, Custom length	0150-3262
<b>K05-Y/R-2</b>	Motor Cable Y/R, 2 m	0150-2421
<b>K05-Y/R-4</b>	Motor Cable Y/R, 4 m	0150-2422
<b>K05-Y/R-6</b>	Motor Cable Y/R, 6 m	0150-2423
<b>K05-Y/R-8</b>	Motor Cable Y/R, 8 m	0150-2424
<b>K05-Y-Fe/R-</b>	Motor Cable Y/R, Custom length	0150-3501

## TRAILING CHAIN CABLE

Item	Description	Item-No.
<b>KS05-W/R-4</b>	Trailing Chain Cable W/R, 4 m	0150-2106
<b>KS05-W/R-6</b>	Trailing Chain Cable W/R, 6 m	0150-2131
<b>KS05-W/R-8</b>	Trailing Chain Cable W/R, 8 m	0150-2107
<b>KS05-W/R-</b>	Trailing Chain Cable W/R, Custom length	0150-3256
<b>KS05-Y/R-4</b>	Trailing Chain Cable Y/R, 4 m	0150-2433
<b>KS05-Y/R-6</b>	Trailing Chain Cable Y/R, 6 m	0150-2434
<b>KS05-Y/R-8</b>	Trailing Chain Cable Y/R, 8 m	0150-2435
<b>KS05-Y/R-</b>	Trailing Chain Cable Y/R, Custom length	0150-3507

## ROBOT CABLE

Item	Description	Item-No.
<b>KR05-W/R-</b>	Robot Cable KR05-W/R, Custom length	0150-3336
<b>KR05-Y-Fe/R-</b>	Robot Cable KR05-Y-Fe/R, Custom length	0150-3512

## CONNECTOR &amp; CABLE (INDIVIDUAL)

Item	Description	Item-No.
<b>MC01-W/m</b>	Motor Connector W/m	0150-3140
<b>MC01-Y-Fe/m</b>	Motor Connector Y-Fe/m	0150-3289
<b>MC01-R/f</b>	Motor Connector R/f	0150-3129
<b>K05-04/05</b>	Motor Cable per m	0150-1920
<b>KS05-04/05</b>	Trailing Chain Cable per m	0150-1938
<b>KR05-04/05</b>	Robot Cable per m	0150-1846



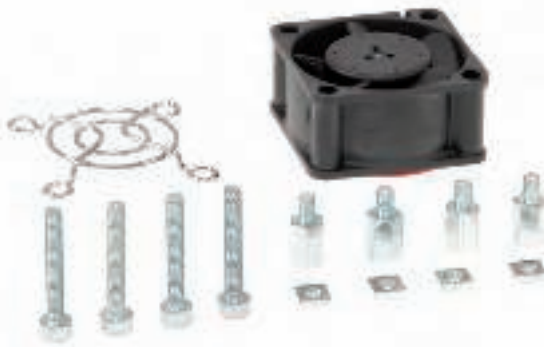
**MOTOR FLANGES**



Item	Description	Item-No.
PF02-23x50	Flange 23x50 mm	0150-2102
PF02-23x90	Flange 23x90 mm	0150-2146

FIND MORE PRODUCT DETAILS IN THE CHAPTER "ACCESSORIES".

**FANS**



Item	Description	Item-No.
HV01-23	Fan cooling for H01-23 and PF02-23	0150-5050

FIND MORE PRODUCT DETAILS IN THE CHAPTER "ACCESSORIES".

**SLIDER MOUNTING**



Item	Description	Item-No.
PLF01-12	Fixed End Washer Set for 12 mm sliders	0150-3085
PLF01-12-Ni	Fixed End Washer Set for 12 mm sliders nickel-plated	0150-3573
PLL02-12	Floating support for PL01-12 Sliders	0150-3111

FIND MORE PRODUCT DETAILS IN THE CHAPTER "ACCESSORIES".

**WIPERS**



Item	Description	Item-No.
<b>PA01-23/12-F</b>	Seal front side for PS01-23x...	0150-3125

FIND MORE PRODUCT DETAILS IN THE CHAPTER "ACCESSORIES".

**EXTERNAL POSITION SENSORS**



Item	Description	Item-No.
<b>MS01-1/D</b>	Linear Encoder 1 µm, A/B (for incremental strip)	0150-1840
<b>MB01-1000</b>	Magnetic incremental strip for MS01-1/D, per cm	0150-1963
<b>KS025-D/D-Encoder</b>	Encoder Cable (Length in m)	0150-3166
<b>KS025-D/D15-Encoder</b>	Encoder Cable (Length in m)	0150-3168

FIND MORE PRODUCT DETAILS IN THE CHAPTER "ACCESSORIES".



Item	Description	Item-No.
<b>MS01-1/D-SSI</b>	Linear Encoder 1 µm, A/B (for absolute strip)	0150-2095
<b>MB01-1000-ABS</b>	Magnetic absolute strip for MS01-1/D-SSI (per cm)	0150-2096
<b>EC01-ABS/ENC-12-S</b>	MS01-1/D-SSI Encoder connector straight	0150-3616
<b>KSS01-12-D15/ABS-ENC</b>	Special cable for MS01-1/D-SSI on C1100/C1200/C1400/E1200/E1400 Drives	0150-3652

FIND MORE PRODUCT DETAILS IN THE CHAPTER "ACCESSORIES".

# LINEAR MOTORS P02-23Sx80



- ✓ Short design
- ✓ Integrated mounting flange
- ✓ Pluggable motor cable with cover
- ✓ For use where space is limited and in multi-axis applications

## LINEAR MOTORS P02-23Sx80

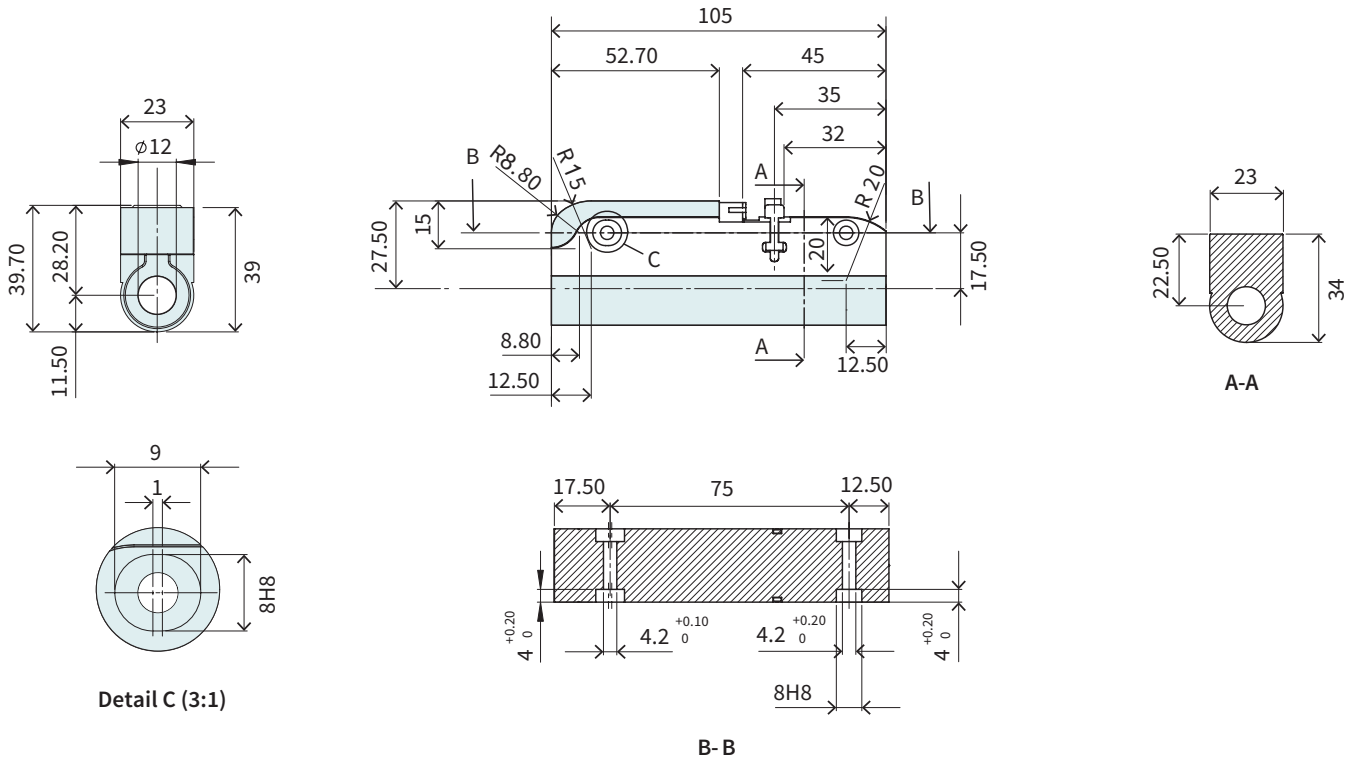
<b>Technical Data</b>	<b>75</b>
<b>Motor Specifications</b>	
P02-23Sx80/0x60-LC	<b>78</b>
P02-23Sx80/40x100-LC	<b>79</b>
P02-23Sx80/60x120-LC	<b>80</b>
P02-23Sx80/100x160-LC	<b>81</b>
P02-23Sx80/160x220-LC	<b>82</b>
P02-23Sx80/220x280-LC	<b>83</b>
P02-23Sx80/290x350-LC	<b>84</b>
P02-23Sx80/350x410-LC	<b>85</b>
P02-23Sx80/450x510-LC	<b>86</b>
P02-23Sx80/630x690-LC	<b>87</b>
P02-23Sx80/720x780-LC	<b>88</b>
<b>Accessories</b>	<b>89</b>



### MOTOR FAMILY P02-23Sx80

Technical Data				
<b>Stroke</b>				
Standard Stroke (SS)	mm	(in)	≤ 720	(≤ 28.3)
Extended Stroke (ES)	mm	(in)	≤ 780	(≤ 30.69)
<b>Force</b>				
Max. Force @ 48VDC	N	(lbf)	41.6	(9.35)
Max. Force @ 72VDC	N	(lbf)	44	(9.89)
Max. Cont. Force [Passive cooling / Fan / Fluid]	N	(lbf)	8.6 / 16 / -	(1.9 / 3.5 / -)
Max. Border Force relative	%		≤ 63	
Force Constant	N/A <sub>pk</sub>	(lbf/A <sub>pk</sub> )	11	(2.47)
<b>Velocity</b>				
Max. Velocity @ 48VDC	m/s	(in/s)	3.9	(159.9)
Max. Velocity @ 72VDC	m/s	(in/s)	5.9	(239.9)
<b>Position Detection</b>				
Position Resolution	mm	(in)	0.002	(0.0001)
Repeatability	mm	(in)	±0.05	(±0.002)
Position Resolution with ES	mm	(in)	0.001	(0.00004)
Repeatability with ES	mm	(in)	±0.01	(±0.0004)
Linearity with ES	mm	(in)	±0.01	(±0.0004)
<b>Electrical Data</b>				
Max. Current @ 48VDC	A <sub>pk</sub>		3.7	
Max. Current @ 72VDC	A <sub>pk</sub>		3.9	
Max. Cont. Current [Passive cooling / Fan / Fluid]	A <sub>pk</sub>		0.78 / 1.4 / -	
Terminal Resistance 25 °C / 120 °C	Ohm		10 / 14	
Terminal Inductivity	mH		1.4	
Magnetic Period	mm	(in)	20	(0.78)
<b>Thermal Data</b>				
Max. Winding Temperature (Sensor)	°C		90	
Thermal Resistance [Passive cooling / Fan / Fluid]	°K/W		6.4 / 1.9 / -	
Thermal Time Constant [Passive cooling / Fan / Fluid]	s		830 / 250 / -	
<b>Mechanical Data</b>				
Stator Diameter	mm	(in)	23	(0.91)
Stator Length [Connector type / Cable type]	mm	(in)	105	(4.1)
Stator Mass	g	(lb)	245	(0.54)
Slider Diameter	mm	(in)	12	(0.47)
Slider Length	mm	(in)	130 - 850	(5.1 - 33)
Slider Mass	g	(lb)	90 - 700	(0.2 - 1.54)
IP Code				IP 50

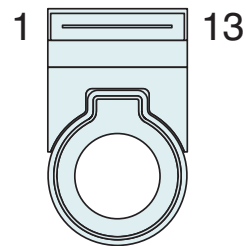
**STATOR**



Item	Description	Item-No.
PS02-23Sx80-F	Stator with Flat cable connector 13 Pin	0150-1272

**CONNECTOR**

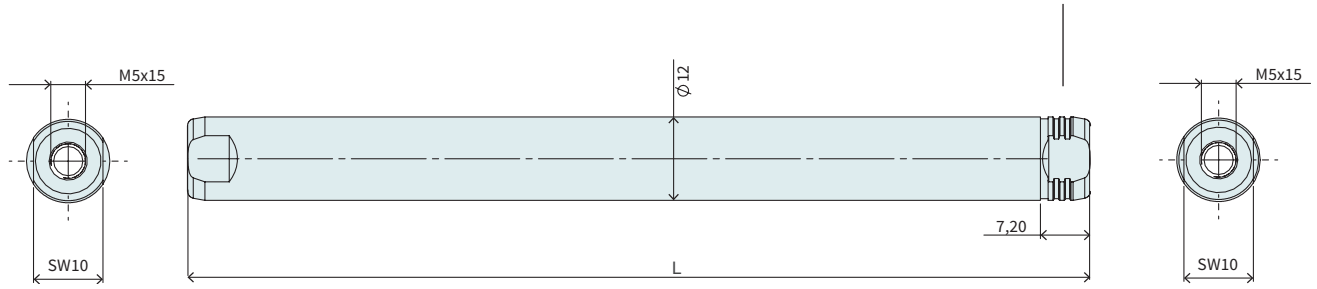
Motor Connector Wiring	
Pin 1	Phase 2-
Pin 2	Phase 2-
Pin 3	Phase 1-
Pin 4	Phase 1-
Pin 5	+5V
Pin 6	Temp
Pin 7	GND
Pin 8	Cos
Pin 9	Sin
Pin 10	Phase 2+
Pin 11	Phase 2+
Pin 12	Phase 1+
Pin 13	Phase 1+



View: Motor Connector, plug side

**SLIDER**

Number of grooves determines the slider type (see chapter 2 / slider) and marks the front end.



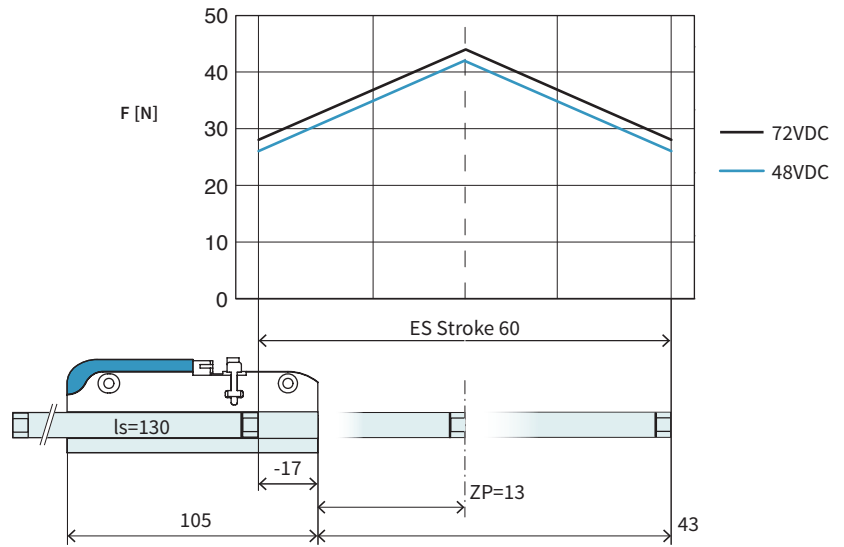
Slider Standard				
Item	Description	Max. Stroke [mm]	Standard Stroke [mm]	Item-No.
PL01-12x130/90-LC	Slider 'standard LC'	60	0	0150-2580
PL01-12x170/130-LC	Slider 'standard LC'	100	40	0150-2581
PL01-12x190/150-LC	Slider 'standard LC'	120	60	0150-2582
PL01-12x230/190-LC	Slider 'standard LC'	160	100	0150-2598
PL01-12x290/250-LC	Slider 'standard LC'	220	160	0150-2583
PL01-12x350/310-LC	Slider 'standard LC'	280	220	0150-2584
PL01-12x420/380-LC	Slider 'standard LC'	350	290	0150-2585
PL01-12x480/440-LC	Slider 'standard LC'	410	350	0150-2586
PL01-12x580/540-LC	Slider 'standard LC'	510	450	0150-2587
PL01-12x760/720-LC	Slider 'standard LC'	690	630	0150-2589
PL01-12x850/810-LC	Slider 'standard LC'	780	720	0150-2588

Slider Heavy Duty				
Item	Description	Max. Stroke [mm]	Standard Stroke [mm]	Item-No.
PL02-12x130/90-LC	Slider 'heavy duty LC'	60	0	0150-2590
PL02-12x170/130-LC	Slider 'heavy duty LC'	100	40	0150-2591
PL02-12x190/150-LC	Slider 'heavy duty LC'	120	60	0150-2592
PL02-12x230/190-LC	Slider 'heavy duty LC'	160	100	0150-2599
PL02-12x290/250-LC	Slider 'heavy duty LC'	220	160	0150-2593
PL02-12x350/310-LC	Slider 'heavy duty LC'	280	220	0150-2594
PL02-12x420/380-LC	Slider 'heavy duty LC'	350	290	0150-2595
PL02-12x480/440-LC	Slider 'heavy duty LC'	410	350	0150-2597
PL02-12x580/540-LC	Slider 'heavy duty LC'	510	450	0150-2596
PL02-12x760/720-LC	Slider 'heavy duty LC'	690	630	on request
PL02-12x850/810-LC	Slider 'heavy duty LC'	780	720	on request

**P02-23Sx80/0x60-LC**

3

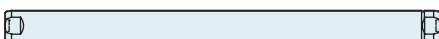
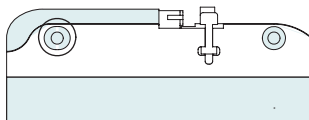
**Max. Stroke:** 60 mm  
**Peak Force:** 44 N



Dimensions in mm

Technical Data P02-23Sx80/0x60-LC

Technical Data P02-23Sx80/0x60-LC			
<b>Stroke</b>			
Standard Stroke (SS)	mm (in)		0 (0)
Extended Stroke (ES)	mm (in)		60 (2.35)
<b>Force</b>			
Max. Force @ 48VDC	N (lbf)		41.6 (9.35)
Max. Force @ 72VDC	N (lbf)		44 (9.89)
Max. Cont. Force [Passive cooling/ Fan / Fluid]	N (lbf)		8.6 / 16 / - (1.9 / 3.5 / -)
Max. Border Force relative	%		63
Force Constant	N/A <sub>pk</sub> (lbf/A <sub>pk</sub> )		11 (2.47)
<b>Velocity</b>			
Max. Velocity @ 48VDC	m/s (in/s)		3.9 (159.9)
Max. Velocity @ 72VDC	m/s (in/s)		5.9 (239.9)
<b>Position Detection</b>			
Repeatability	mm (in)		±0.05 (±0.002)
Linearity	%		± 0.5
<b>Electrical Data</b>			
Max. Current @ 48VDC	A <sub>pk</sub>		3.7
Max. Current @ 72VDC	A <sub>pk</sub>		3.9
Max. Cont. Current [Passive cooling/ Fan / Fluid]	A <sub>pk</sub>		0.78 / 1.4 / -
<b>Thermal Data</b>			
Max. Winding Temperature (Sensor)	°C		90
Thermal Resistance [Passive cooling/ Fan / Fluid]	°K/W		6.4 / 1.9 / -
Thermal Time Constant [Passive cooling/ Fan / Fluid]	s		830 / 250 / -
<b>Mechanical Data</b>			
Slider Length	mm (in)		130 (5.1)
Slider Mass	g (lb)		90 (0.2)

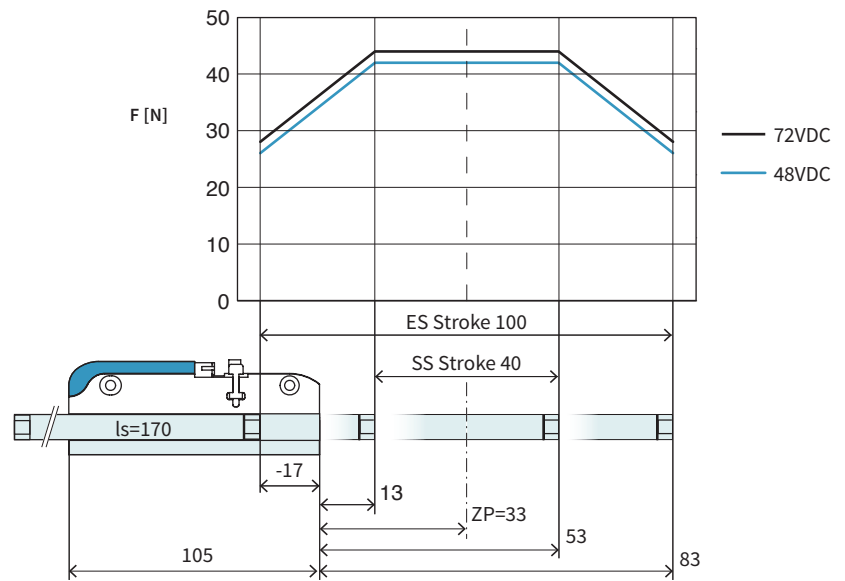


Item	Description	Item-No.
<b>PS02-23Sx80-F</b>	Stator with Flat cable connector 13 Pin	0150-1272
<b>PL01-12x130/90-LC</b>	Slider 'standard LC'	0150-2580
<b>PL02-12x130/90-LC</b>	Slider 'heavy duty LC'	0150-2590



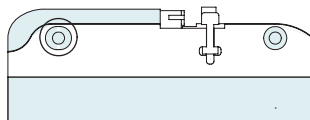
**P02-23Sx80/40x100-LC**

**Max. Stroke:** 100 mm  
**Peak Force:** 44 N



Dimensions in mm

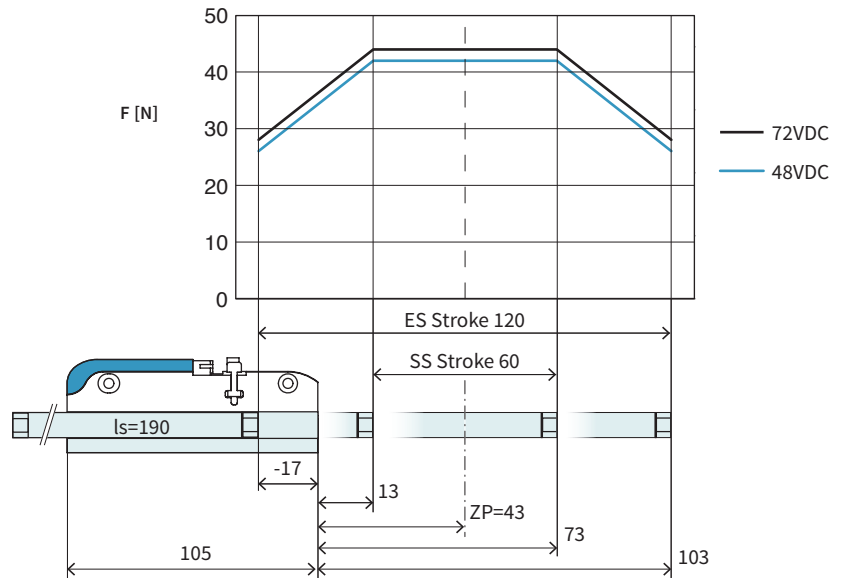
Technical Data P02-23Sx80/40x100-LC				
<b>Stroke</b>				
Standard Stroke (SS)	mm (in)		40 (1.57)	
Extended Stroke (ES)	mm (in)		100 (3.93)	
<b>Force</b>				
Max. Force @ 48VDC	N (lbf)		41.6 (9.35)	
Max. Force @ 72VDC	N (lbf)		44 (9.89)	
Max. Cont. Force [Passive cooling / Fan / Fluid]	N (lbf)		8.6 / 16 / - (1.9 / 3.5 / -)	
Max. Border Force relative	%		63	
Force Constant	N/A <sub>pk</sub> (lbf/A <sub>pk</sub> )		11 (2.47)	
<b>Velocity</b>				
Max. Velocity @ 48VDC	m/s (in/s)		3.9 (159.9)	
Max. Velocity @ 72VDC	m/s (in/s)		5.9 (239.9)	
<b>Position Detection</b>				
Repeatability	mm (in)		±0.05 (±0.002)	
Linearity	%		± 0.35	
<b>Electrical Data</b>				
Max. Current @ 48VDC	A <sub>pk</sub>		3.7	
Max. Current @ 72VDC	A <sub>pk</sub>		3.9	
Max. Cont. Current [Passive cooling / Fan / Fluid]	A <sub>pk</sub>		0.78 / 1.4 / -	
<b>Thermal Data</b>				
Max. Winding Temperature (Sensor)	°C		90	
Thermal Resistance [Passive cooling / Fan / Fluid]	°K/W		6.4 / 1.9 / -	
Thermal Time Constant [Passive cooling / Fan / Fluid]	s		830 / 250 / -	
<b>Mechanical Data</b>				
Slider Length	mm (in)		170 (6.7)	
Slider Mass	g (lb)		130 (0.29)	



Item	Description	Item-No.
<b>PS02-23Sx80-F</b>	Stator with Flat cable connector 13 Pin	0150-1272
<b>PL01-12x170/130-LC</b>	Slider 'standard LC'	0150-2581
<b>PL02-12x170/130-LC</b>	Slider 'heavy duty LC'	0150-2591

**P02-23Sx80/60x120-LC**

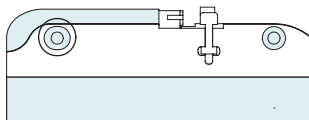
**Max. Stroke:** 120 mm  
**Peak Force:** 44 N



Dimensions in mm

Technical Data P02-23Sx80/60x120-LC

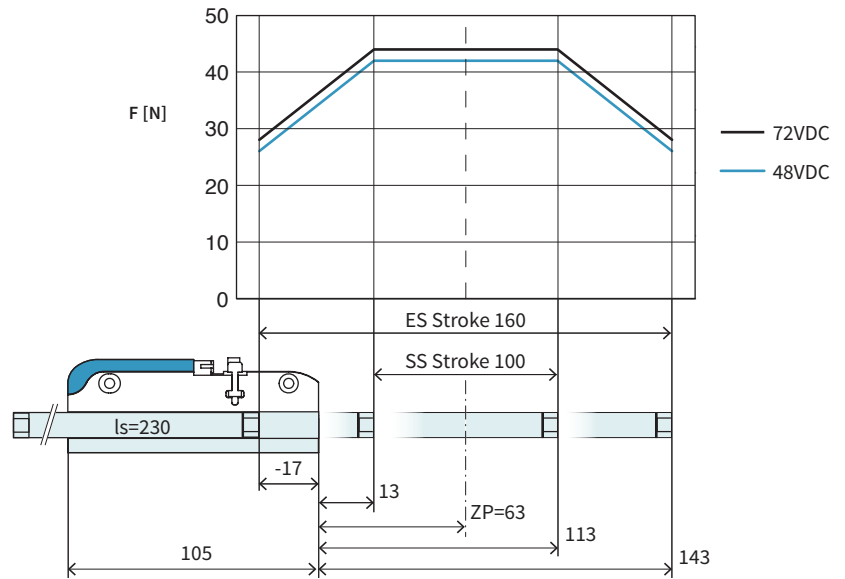
Stroke			
Standard Stroke (SS)	mm (in)	60	(2.35)
Extended Stroke (ES)	mm (in)	120	(4.71)
Force			
Max. Force @ 48VDC	N (lbf)	41.6	(9.35)
Max. Force @ 72VDC	N (lbf)	44	(9.89)
Max. Cont. Force [Passive cooling/ Fan / Fluid]	N (lbf)	8.6 / 16 / -	(1.9 / 3.5 / -)
Max. Border Force relative	%	63	
Force Constant	N/A <sub>pk</sub> (lbf/A <sub>pk</sub> )	11	(2.47)
Velocity			
Max. Velocity @ 48VDC	m/s (in/s)	3.9	(159.9)
Max. Velocity @ 72VDC	m/s (in/s)	5.9	(239.9)
Position Detection			
Repeatability	mm (in)	±0.05	(±0.002)
Linearity	%	± 0.3	
Electrical Data			
Max. Current @ 48VDC	A <sub>pk</sub>	3.7	
Max. Current @ 72VDC	A <sub>pk</sub>	3.9	
Max. Cont. Current [Passive cooling/ Fan / Fluid]	A <sub>pk</sub>	0.78 / 1.4 / -	
Thermal Data			
Max. Winding Temperature (Sensor)	°C	90	
Thermal Resistance [Passive cooling/ Fan / Fluid]	°K/W	6.4 / 1.9 / -	
Thermal Time Constant [Passive cooling/ Fan / Fluid]	s	830 / 250 / -	
Mechanical Data			
Slider Length	mm (in)	190	(7.5)
Slider Mass	g (lb)	145	(0.32)



Item	Description	Item-No.
<b>PS02-23Sx80-F</b>	Stator with Flat cable connector 13 Pin	0150-1272
<b>PL01-12x190/150-LC</b>	Slider 'standard LC'	0150-2582
<b>PL02-12x190/150-LC</b>	Slider 'heavy duty LC'	0150-2592

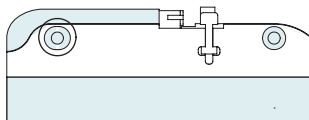
**P02-23Sx80/100x160-LC**

**Max. Stroke:** 160 mm  
**Peak Force:** 44 N



Dimensions in mm

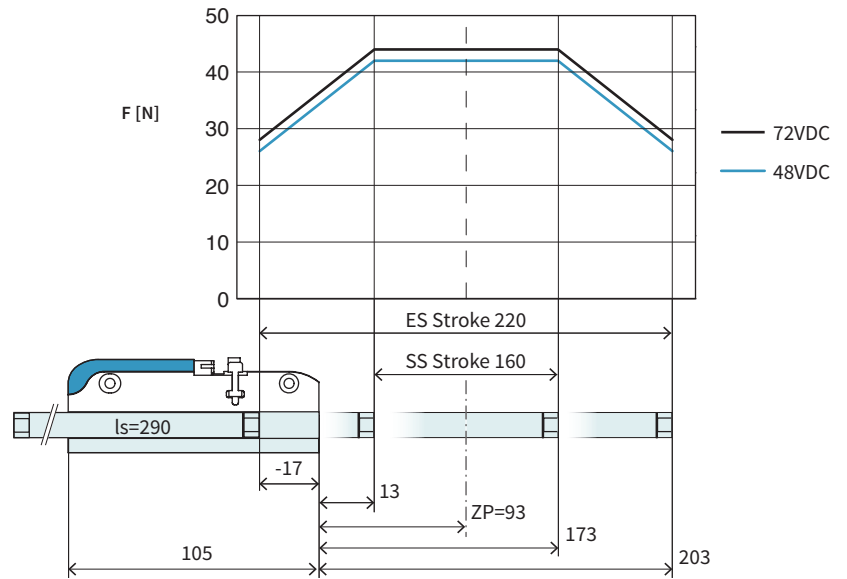
Technical Data P02-23Sx80/100x160-LC			
<b>Stroke</b>			
Standard Stroke (SS)	mm (in)	100 (3.93)	
Extended Stroke (ES)	mm (in)	160 (6.29)	
<b>Force</b>			
Max. Force @ 48VDC	N (lbf)	41.6 (9.35)	
Max. Force @ 72VDC	N (lbf)	44 (9.89)	
Max. Cont. Force [Passive cooling / Fan / Fluid]	N (lbf)	8.6 / 16 / - (1.9 / 3.5 / -)	
Max. Border Force relative	%	63	
Force Constant	N/A <sub>pk</sub> (lbf/A <sub>pk</sub> )	11 (2.47)	
<b>Velocity</b>			
Max. Velocity @ 48VDC	m/s (in/s)	3.9 (159.9)	
Max. Velocity @ 72VDC	m/s (in/s)	5.9 (239.9)	
<b>Position Detection</b>			
Repeatability	mm (in)	±0.05 (±0.002)	
Linearity	%	± 0.25	
<b>Electrical Data</b>			
Max. Current @ 48VDC	A <sub>pk</sub>	3.7	
Max. Current @ 72VDC	A <sub>pk</sub>	3.9	
Max. Cont. Current [Passive cooling / Fan / Fluid]	A <sub>pk</sub>	0.78 / 1.4 / -	
<b>Thermal Data</b>			
Max. Winding Temperature (Sensor)	°C	90	
Thermal Resistance [Passive cooling / Fan / Fluid]	°K/W	6.4 / 1.9 / -	
Thermal Time Constant [Passive cooling / Fan / Fluid]	s	830 / 250 / -	
<b>Mechanical Data</b>			
Slider Length	mm (in)	230 (9.1)	
Slider Mass	g (lb)	180 (0.4)	



Item	Description	Item-No.
<b>PS02-23Sx80-F</b>	Stator with Flat cable connector 13 Pin	0150-1272
<b>PL01-12x230/190-LC</b>	Slider 'standard LC'	0150-2598
<b>PL02-12x230/190-LC</b>	Slider 'heavy duty LC'	0150-2599

**P0S-23Sx80/160x220-LC**

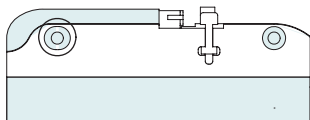
**Max. Stroke:** 220 mm  
**Peak Force:** 44 N



Dimensions in mm

Technical Data P02-23Sx80/160x220-LC

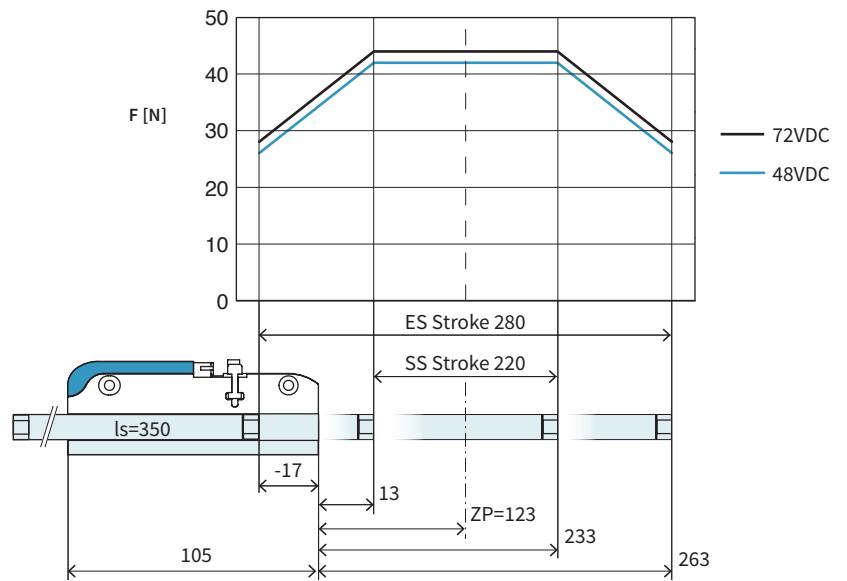
Stroke				
Standard Stroke (SS)	mm	(in)	160	(6.29)
Extended Stroke (ES)	mm	(in)	220	(8.65)
Force				
Max. Force @ 48VDC	N	(lbf)	41.6	(9.35)
Max. Force @ 72VDC	N	(lbf)	44	(9.89)
Max. Cont. Force [Passive cooling / Fan / Fluid]	N	(lbf)	8.6 / 16 / -	(1.9 / 3.5 / -)
Max. Border Force relative			%	
			63	
Force Constant	N/A <sub>pk</sub>	(lbf/A <sub>pk</sub> )	11	(2.47)
Velocity				
Max. Velocity @ 48VDC	m/s	(in/s)	3.9	(159.9)
Max. Velocity @ 72VDC	m/s	(in/s)	5.9	(239.9)
Position Detection				
Repeatability	mm	(in)	±0.05	(±0.002)
Linearity			%	
			± 0.2	
Electrical Data				
Max. Current @ 48VDC	A <sub>pk</sub>		3.7	
Max. Current @ 72VDC	A <sub>pk</sub>		3.9	
Max. Cont. Current [Passive cooling / Fan / Fluid]	A <sub>pk</sub>		0.78 / 1.4 / -	
Thermal Data				
Max. Winding Temperature (Sensor)	°C		90	
Thermal Resistance [Passive cooling / Fan / Fluid]	°K/W		6.4 / 1.9 / -	
Thermal Time Constant [Passive cooling / Fan / Fluid]	s		830 / 250 / -	
Mechanical Data				
Slider Length	mm	(in)	290	(11)
Slider Mass	g	(lb)	230	(0.51)



Item	Description	Item-No.
<b>PS02-23Sx80-F</b>	Stator with Flat cable connector 13 Pin	0150-1272
<b>PL01-12x290/250-LC</b>	Slider 'standard LC'	0150-2583
<b>PL02-12x290/250-LC</b>	Slider 'heavy duty LC'	0150-2593

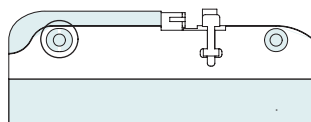
**P02-23Sx80/220x280-LC**

**Max. Stroke:** 280 mm  
**Peak Force:** 44 N



Dimensions in mm

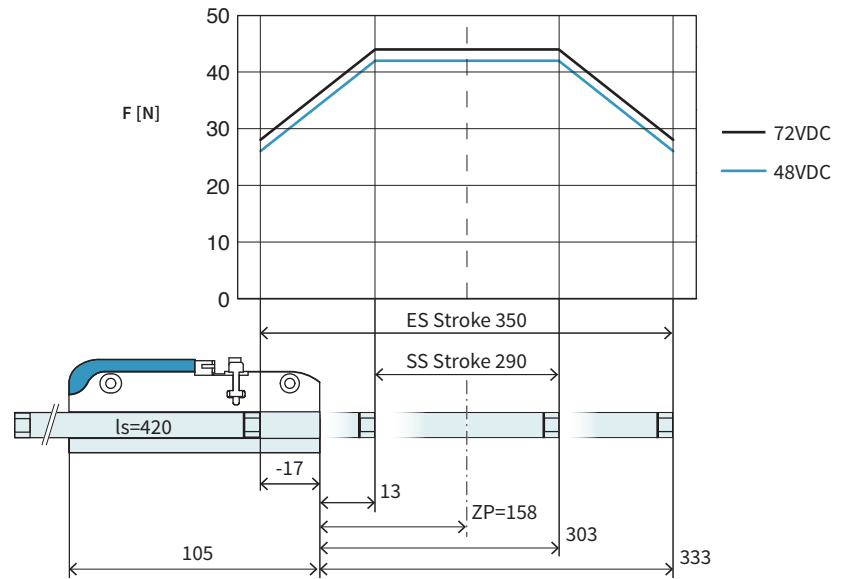
Technical Data P02-23Sx80/220x280-LC			
<b>Stroke</b>			
Standard Stroke (SS)	mm (in)	220 (8.65)	
Extended Stroke (ES)	mm (in)	280 (10.99)	
<b>Force</b>			
Max. Force @ 48VDC	N (lbf)	41.6 (9.35)	
Max. Force @ 72VDC	N (lbf)	44 (9.89)	
Max. Cont. Force [Passive cooling / Fan / Fluid]	N (lbf)	8.6 / 16 / - (1.9 / 3.5 / -)	
Max. Border Force relative	%	63	
Force Constant	N/A <sub>pk</sub> (lbf/A <sub>pk</sub> )	11 (2.47)	
<b>Velocity</b>			
Max. Velocity @ 48VDC	m/s (in/s)	3.9 (159.9)	
Max. Velocity @ 72VDC	m/s (in/s)	5.9 (239.9)	
<b>Position Detection</b>			
Repeatability	mm (in)	±0.05 (±0.002)	
Linearity	%	± 0.2	
<b>Electrical Data</b>			
Max. Current @ 48VDC	A <sub>pk</sub>	3.7	
Max. Current @ 72VDC	A <sub>pk</sub>	3.9	
Max. Cont. Current [Passive cooling / Fan / Fluid]	A <sub>pk</sub>	0.78 / 1.4 / -	
<b>Thermal Data</b>			
Max. Winding Temperature (Sensor)	°C	90	
Thermal Resistance [Passive cooling / Fan / Fluid]	°K/W	6.4 / 1.9 / -	
Thermal Time Constant [Passive cooling / Fan / Fluid]	s	830 / 250 / -	
<b>Mechanical Data</b>			
Slider Length	mm (in)	350 (14)	
Slider Mass	g (lb)	280 (0.62)	



Item	Description	Item-No.
<b>PS02-23Sx80-F</b>	Stator with Flat cable connector 13 Pin	0150-1272
<b>PL01-12x350/310-LC</b>	Slider 'standard LC'	0150-2584
<b>PL02-12x350/310-LC</b>	Slider 'heavy duty LC'	0150-2594

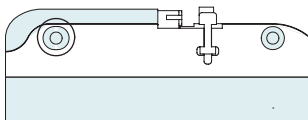
**P02-23Sx80/290x350-LC**

**Max. Stroke:** 350 mm  
**Peak Force:** 44 N



Dimensions in mm

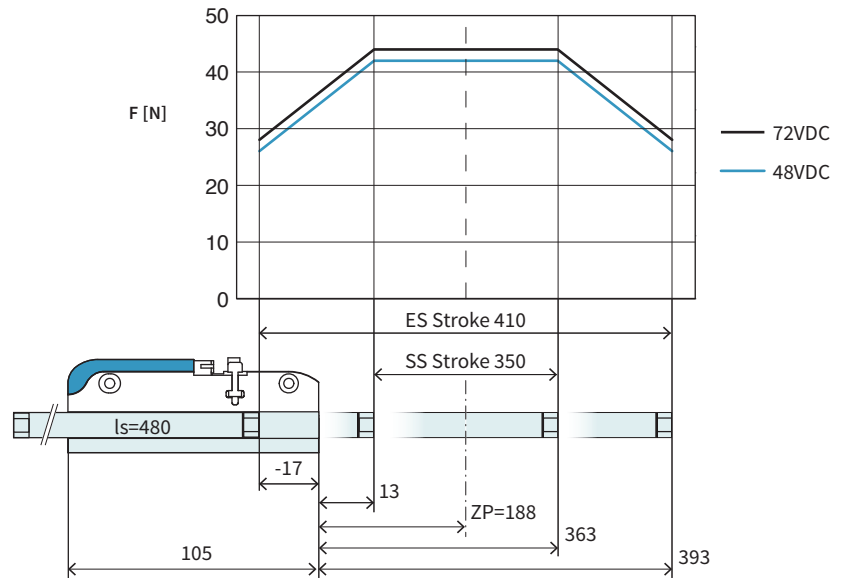
Technical Data P02-23Sx80/290x350-LC				
<b>Stroke</b>				
Standard Stroke (SS)	mm	(in)	290	(11.4)
Extended Stroke (ES)	mm	(in)	350	(13.8)
<b>Force</b>				
Max. Force @ 48VDC	N	(lbf)	41.6	(9.35)
Max. Force @ 72VDC	N	(lbf)	44	(9.89)
Max. Cont. Force [Passive cooling/ Fan / Fluid]	N	(lbf)	8.6 / 16 / -	(1.9 / 3.5 / -)
Max. Border Force relative	%		63	
Force Constant	N/A <sub>pk</sub>	(lbf/A <sub>pk</sub> )	11	(2.47)
<b>Velocity</b>				
Max. Velocity @ 48VDC	m/s	(in/s)	3.9	(159.9)
Max. Velocity @ 72VDC	m/s	(in/s)	5.9	(239.9)
<b>Position Detection</b>				
Repeatability	mm	(in)	±0.05	(±0.002)
Linearity	%		± 0.15	
<b>Electrical Data</b>				
Max. Current @ 48VDC	A <sub>pk</sub>		3.7	
Max. Current @ 72VDC	A <sub>pk</sub>		3.9	
Max. Cont. Current [Passive cooling/ Fan / Fluid]	A <sub>pk</sub>		0.78 / 1.4 / -	
<b>Thermal Data</b>				
Max. Winding Temperature (Sensor)	°C		90	
Thermal Resistance [Passive cooling / Fan / Fluid]	°K/W		6.4 / 1.9 / -	
Thermal Time Constant [Passive cooling / Fan / Fluid]	s		830 / 250 / -	
<b>Mechanical Data</b>				
Slider Length	mm	(in)	420	(17)
Slider Mass	g	(lb)	340	(0.75)



Item	Description	Item-No.
<b>PS02-23Sx80-F</b>	Stator with Flat cable connector 13 Pin	0150-1272
<b>PL01-12x420/380-LC</b>	Slider 'standard LC'	0150-2585
<b>PL02-12x420/380-LC</b>	Slider 'heavy duty LC'	0150-2595

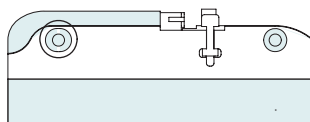
**P02-23Sx80/350x410-LC**

**Max. Stroke:** 410 mm  
**Peak Force:** 44 N



Dimensions in mm

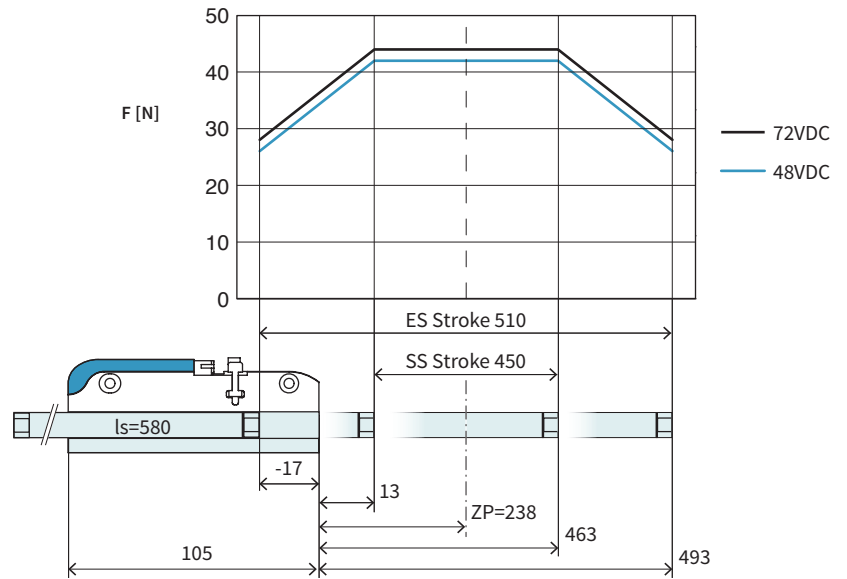
Technical Data P02-23Sx80/350x410-LC				
<b>Stroke</b>				
Standard Stroke (SS)	mm (in)		350 (13.8)	
Extended Stroke (ES)	mm (in)		410 (16.1)	
<b>Force</b>				
Max. Force @ 48VDC	N (lbf)		41.6 (9.35)	
Max. Force @ 72VDC	N (lbf)		44 (9.89)	
Max. Cont. Force [Passive cooling / Fan / Fluid]	N (lbf)		8.6 / 16 / - (1.9 / 3.5 / -)	
Max. Border Force relative	%		63	
Force Constant	N/A <sub>pk</sub> (lbf/A <sub>pk</sub> )		11 (2.47)	
<b>Velocity</b>				
Max. Velocity @ 48VDC	m/s (in/s)		3.9 (159.9)	
Max. Velocity @ 72VDC	m/s (in/s)		5.9 (239.9)	
<b>Position Detection</b>				
Repeatability	mm (in)		±0.05 (±0.002)	
Linearity	%		± 0.15	
<b>Electrical Data</b>				
Max. Current @ 48VDC	A <sub>pk</sub>		3.7	
Max. Current @ 72VDC	A <sub>pk</sub>		3.9	
Max. Cont. Current [Passive cooling / Fan / Fluid]	A <sub>pk</sub>		0.78 / 1.4 / -	
<b>Thermal Data</b>				
Max. Winding Temperature (Sensor)	°C		90	
Thermal Resistance [Passive cooling / Fan / Fluid]	°K/W		6.4 / 1.9 / -	
Thermal Time Constant [Passive cooling / Fan / Fluid]	s		830 / 250 / -	
<b>Mechanical Data</b>				
Slider Length	mm (in)		480 (19)	
Slider Mass	g (lb)		390 (0.86)	



Item	Description	Item-No.
<b>PS02-23Sx80-F</b>	Stator with Flat cable connector 13 Pin	0150-1272
<b>PL01-12x480/440-LC</b>	Slider 'standard LC'	0150-2586
<b>PL02-12x480/440-LC</b>	Slider 'heavy duty LC'	0150-2597

**P02-23Sx80/450x510-LC**

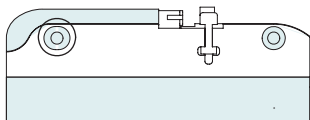
**Max. Stroke:** 510 mm  
**Peak Force:** 44 N



Dimensions in mm

Technical Data P02-23Sx80/450x510-LC

Stroke			
Standard Stroke (SS)	mm (in)		450 (17.69)
Extended Stroke (ES)	mm (in)		510 (20.1)
Force			
Max. Force @ 48VDC	N (lbf)		41.6 (9.35)
Max. Force @ 72VDC	N (lbf)		44 (9.89)
Max. Cont. Force [Passive cooling/ Fan / Fluid]	N (lbf)		8.6 / 16 / - (1.9 / 3.5 / -)
Max. Border Force relative	%		63
Force Constant	N/A <sub>pk</sub> (lbf/A <sub>pk</sub> )		11 (2.47)
Velocity			
Max. Velocity @ 48VDC	m/s (in/s)		3.9 (159.9)
Max. Velocity @ 72VDC	m/s (in/s)		5.9 (239.9)
Position Detection			
Repeatability	mm (in)		±0.05 (±0.002)
Linearity	%		± 0.15
Electrical Data			
Max. Current @ 48VDC	A <sub>pk</sub>		3.7
Max. Current @ 72VDC	A <sub>pk</sub>		3.9
Max. Cont. Current [Passive cooling / Fan / Fluid]	A <sub>pk</sub>		0.78 / 1.4 / -
Thermal Data			
Max. Winding Temperature (Sensor)	°C		90
Thermal Resistance [Passive cooling / Fan / Fluid]	°K/W		6.4 / 1.9 / -
Thermal Time Constant [Passive cooling / Fan / Fluid]	s		830 / 250 / -
Mechanical Data			
Slider Length	mm (in)		580 (23)
Slider Mass	g (lb)		480 (1.06)

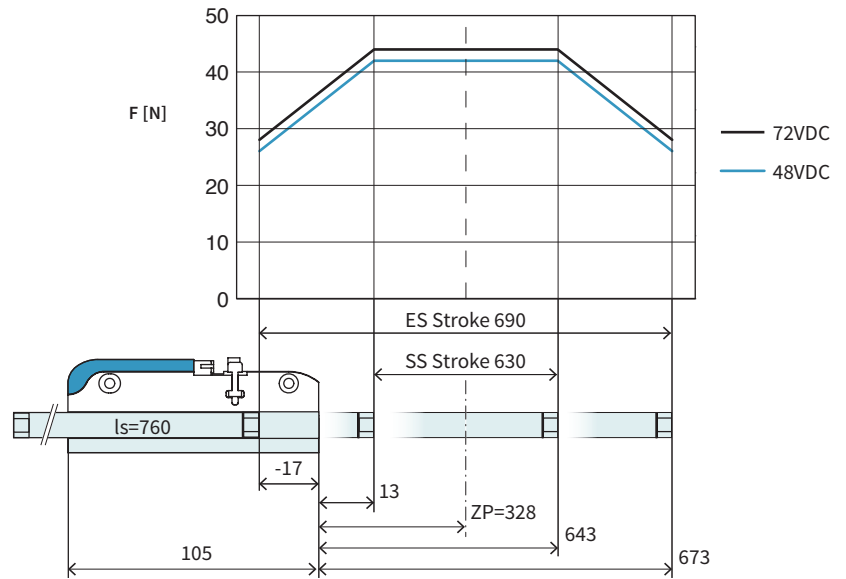


Item	Description	Item-No.
<b>PS02-23Sx80-F</b>	Stator with Flat cable connector 13 Pin	0150-1272
<b>PL01-12x580/540-LC</b>	Slider 'standard LC'	0150-2587
<b>PL02-12x580/540-LC</b>	Slider 'heavy duty LC'	0150-2596



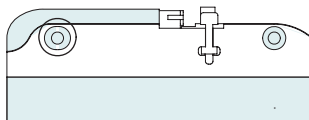
**P02-23Sx80/630x690-LC**

**Max. Stroke:** 690 mm  
**Peak Force:** 44 N



Dimensions in mm

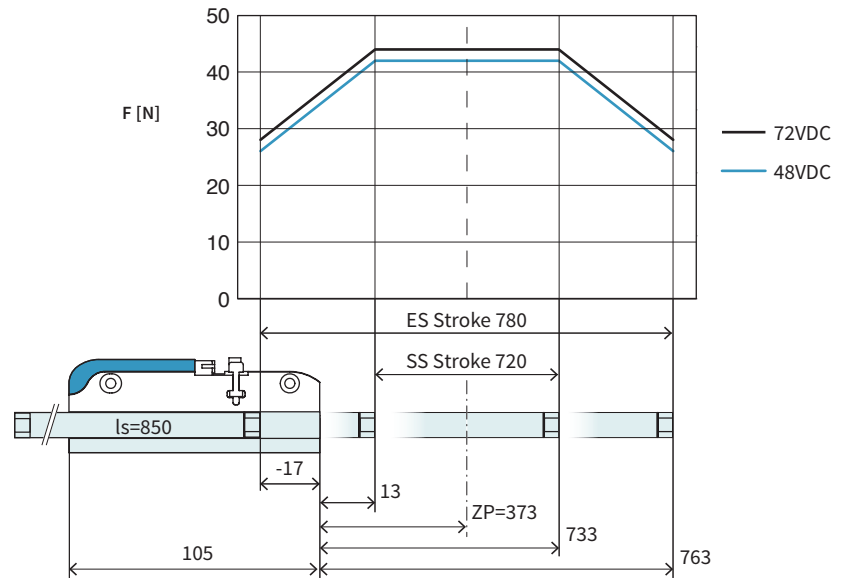
Technical Data P02-23Sx80/630x690-LC			
<b>Stroke</b>			
Standard Stroke (SS)	mm (in)	630 (24.8)	
Extended Stroke (ES)	mm (in)	690 (27.19)	
<b>Force</b>			
Max. Force @ 48VDC	N (lbf)	41.6 (9.35)	
Max. Force @ 72VDC	N (lbf)	44 (9.89)	
Max. Cont. Force [Passive cooling / Fan / Fluid]	N (lbf)	8.6 / 16 / - (1.9 / 3.5 / -)	
Max. Border Force relative	%	63	
Force Constant	N/A <sub>pk</sub> (lbf/A <sub>pk</sub> )	11 (2.47)	
<b>Velocity</b>			
Max. Velocity @ 48VDC	m/s (in/s)	3.9 (159.9)	
Max. Velocity @ 72VDC	m/s (in/s)	5.9 (239.9)	
<b>Position Detection</b>			
Repeatability	mm (in)	±0.05 (±0.002)	
Linearity	%	± 0.15	
<b>Electrical Data</b>			
Max. Current @ 48VDC	A <sub>pk</sub>	3.7	
Max. Current @ 72VDC	A <sub>pk</sub>	3.9	
Max. Cont. Current [Passive cooling / Fan / Fluid]	A <sub>pk</sub>	0.78 / 1.4 / -	
<b>Thermal Data</b>			
Max. Winding Temperature (Sensor)	°C	90	
Thermal Resistance [Passive cooling / Fan / Fluid]	°K/W	6.4 / 1.9 / -	
Thermal Time Constant [Passive cooling / Fan / Fluid]	s	830 / 250 / -	
<b>Mechanical Data</b>			
Slider Length	mm (in)	760 (30)	
Slider Mass	g (lb)	630 (1.4)	



Item	Description	Item-No.
<b>PS02-23Sx80-F</b>	Stator with Flat cable connector 13 Pin	0150-1272
<b>PL01-12x760/720-LC</b>	Slider 'standard LC'	0150-2589
<b>PL02-12x760/720-LC</b>	Slider 'heavy duty LC'	on request

**P02-23Sx80/720x780-LC**

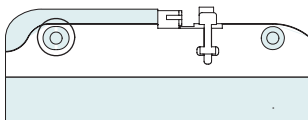
**Max. Stroke:** 780 mm  
**Peak Force:** 44 N



Dimensions in mm

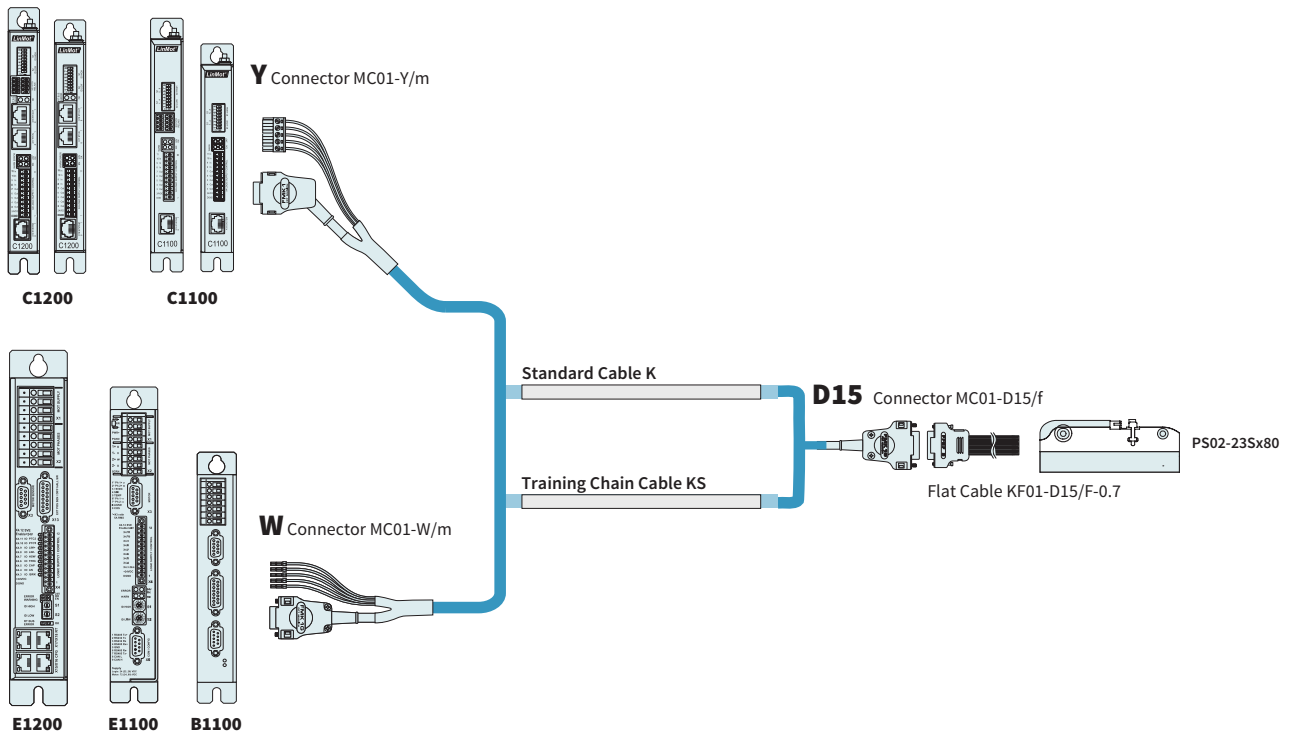
Technical Data P02-23Sx80/720x780-LC

Stroke			
Standard Stroke (SS)	mm	(in)	720 (28.3)
Extended Stroke (ES)	mm	(in)	780 (30.69)
Force			
Max. Force @ 48VDC	N	(lbf)	41.6 (9.35)
Max. Force @ 72VDC	N	(lbf)	44 (9.89)
Max. Cont. Force [Passive cooling / Fan / Fluid]	N	(lbf)	8.6 / 16 / - (1.9 / 3.5 / -)
Max. Border Force relative			% 63
Force Constant	N/A <sub>pk</sub>	(lbf/A <sub>pk</sub> )	11 (2.47)
Velocity			
Max. Velocity @ 48VDC	m/s	(in/s)	3.9 (159.9)
Max. Velocity @ 72VDC	m/s	(in/s)	5.9 (239.9)
Position Detection			
Repeatability	mm	(in)	±0.05 (±0.002)
Linearity			% ± 0.15
Electrical Data			
Max. Current @ 48VDC	A <sub>pk</sub>		3.7
Max. Current @ 72VDC	A <sub>pk</sub>		3.9
Max. Cont. Current [Passive cooling / Fan / Fluid]	A <sub>pk</sub>		0.78 / 1.4 / -
Thermal Data			
Max. Winding Temperature (Sensor)	°C		90
Thermal Resistance [Passive cooling / Fan / Fluid]	°K/W		6.4 / 1.9 / -
Thermal Time Constant [Passive cooling / Fan / Fluid]	s		830 / 250 / -
Mechanical Data			
Slider Length	mm	(in)	850 (33)
Slider Mass	g	(lb)	700 (1.3)



Item	Description	Item-No.
<b>PS02-23Sx80-F</b>	Stator with Flat cable connector 13 Pin	0150-1272
<b>PL01-12x850/810-LC</b>	Slider 'standard LC'	0150-2588
<b>PL01-12x850/810-LC</b>	Slider 'heavy duty LC'	on request

**Motor Cable**



**ORDERING INFORMATION**

STANDARD CABLE		
Item	Description	Item-No.
<b>K05-W/D15-</b>	Motor Cable W/D15, Custom length	0150-3333
<b>K05-Y-Fe/D15-</b>	Motor Cable Y-Fe/D15, Custom length	0150-3504

TRAILING CHAIN CABLE		
Item	Description	Item-No.
<b>KS05-W/D15-</b>	Trailing Chain Cable KS05-W/D15-, Custom length	on request
<b>KS05-Y-Fe/D15-</b>	Trailing Chain Cable KS05-Y-Fe/D15-, Custom length	0150-3683

FLAT CABLE		
Item	Description	Item-No.
<b>KF02-D15/F-0.08</b>	Flat Cable 0.08 m, for PS02-23Sx80-F	0150-2150
<b>KF02-D15/F-0.16</b>	Flat Cable 0.16 m, for PS02-23Sx80-F	0150-2156
<b>KF02-D15/F-0.32</b>	Flat Cable 0.32 m, for PS02-23Sx80-F	0150-2152
<b>KF02-D15/F-0.48</b>	Flat Cable 0.48 m, for PS02-23Sx80-F	0150-2154
<b>KF02-D15/F-0.70</b>	Flat Cable 0.70 m, for PS02-23Sx80-F	0150-2158

CONNECTOR & CABLE (INDIVIDUAL)		
Item	Description	Item-No.
<b>MC01-W/m</b>	Motor Connector W/m	0150-3140
<b>MC01-Y-Fe/m</b>	Motor Connector Y-Fe/m	0150-3289
<b>MC01-D15/f</b>	Motor Connector D15 (f)	0150-3136
<b>K05-04/05</b>	Motor Cable per m	0150-1920
<b>KS05-04/05</b>	Trailing Chain Cable per m	0150-1938

**SLIDER MOUNTING**



Item	Description	Item-No.
<b>PLF01-12</b>	Fixed End Washer Set for 12 mm sliders	0150-3085
<b>PLF01-12-Ni</b>	Fixed End Washer Set for 12 mm sliders nickel-plated	0150-3573
<b>PLL02-12</b>	Floating support for PL01-12 Sliders	0150-3111

FIND MORE PRODUCT DETAILS IN THE CHAPTER "ACCESSORIES".

**EXTERNAL POSITION SENSORS**



Item	Description	Item-No.
<b>MS01-1/D</b>	Linear Encoder 1µm, A/B (for incremental strip)	0150-1840
<b>MB01-1000</b>	Magnetic incremental strip for MS01-1/D, per cm	0150-1963
<b>KS025-D/D-Encoder</b>	Encoder Cable (Length in m)	0150-3166
<b>KS025-D/D15-Encoder</b>	Encoder Cable (Length in m)	0150-3168

FIND MORE PRODUCT DETAILS IN THE CHAPTER "ACCESSORIES".



Item	Description	Item-No.
<b>MS01-1/D-SSI</b>	Linear Encoder 1µm, A/B (for absolute strip)	0150-2095
<b>MB01-1000-ABS</b>	Magnetic absolute strip for MS01-1/D-SSI (per cm)	0150-2096
<b>EC01-ABS/ENC-12-S</b>	MS01-1/D-SSI Encoder connector straight	0150-3616
<b>KSS01-12-D15/ABS-ENC</b>	Special cable for MS01-1/D-SSI on C1100/C1200/C1400/E1200/E1400 Drives	0150-3652

FIND MORE PRODUCT DETAILS IN THE CHAPTER "ACCESSORIES".

# LINEAR MOTORS P02-23Sx80F-HP



- ✓ Short design
- ✓ Integrated mounting flange
- ✓ Pluggable motor cable with cover
- ✓ Free positionable cable outlet
- ✓ For use where space is limited and in multi-axis applications

## LINEAR MOTORS P02-23Sx80F-HP

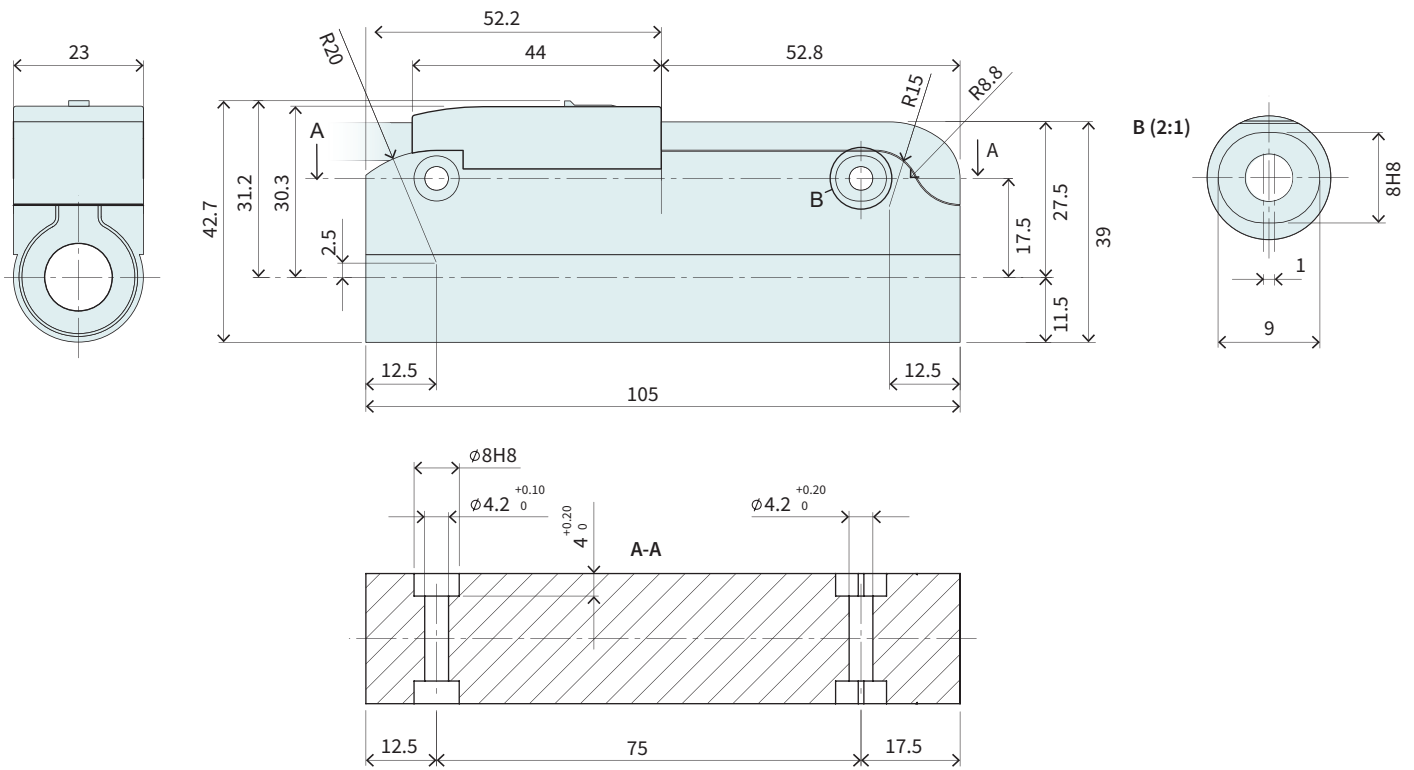
<b>Technical Data</b>	<b>93</b>
<b>Motor Specifications</b>	
P02-23Sx80F/0x60-HP	<b>97</b>
P02-23Sx80F/20x80-HP	<b>98</b>
P02-23Sx80F/40x100-HP	<b>99</b>
P02-23Sx80F/70x130-HP	<b>100</b>
P02-23Sx80F/100x160-HP	<b>101</b>
P02-23Sx80F/140x200-HP	<b>102</b>
P02-23Sx80F/160x220-HP	<b>103</b>
P02-23Sx80F/220x280-HP	<b>104</b>
P02-23Sx80F/290x350-HP	<b>105</b>
P02-23Sx80F/350x410-HP	<b>106</b>
P02-23Sx80F/450x510-HP	<b>107</b>
P02-23Sx80F/630x690-HP	<b>108</b>
P02-23Sx80F/720x780-HP	<b>109</b>
<b>Accessories</b>	<b>110</b>



### MOTOR FAMILY P02-23Sx80F-HP

Technical Data				
<b>Stroke</b>				
Standard Stroke (SS)	mm	(in)	≤ 720	(≤ 28.3)
Extended Stroke (ES)	mm	(in)	≤ 780	(≤ 30.69)
<b>Force</b>				
Max. Force @ 48VDC	N	(lbf)	67.1	(15.1)
Max. Force @ 72VDC	N	(lbf)	67.1	(15.1)
Max. Cont. Force [Passive cooling / Fan / Fluid]	N	(lbf)	13 / 24 / -	(2.9 / 5.3 / -)
Max. Border Force relative	%		≤ 63	
Force Constant	N/A <sub>pk</sub>	(lbf/A <sub>pk</sub> )	8.95	(2.01)
<b>Velocity</b>				
Max. Velocity @ 48VDC	m/s	(in/s)	4.9	(189.9)
Max. Velocity @ 72VDC	m/s	(in/s)	7.3	(289.9)
<b>Position Detection</b>				
Position Resolution	mm	(in)	0.002	(0.0001)
Repeatability	mm	(in)	±0.05	(±0.002)
Position Resolution with ES	mm	(in)	0.001	(0.00004)
Repeatability with ES	mm	(in)	±0.01	(±0.0004)
Linearity with ES	mm	(in)	±0.01	(±0.0004)
<b>Electrical Data</b>				
Max. Current @ 48VDC	A <sub>pk</sub>		7.4	
Max. Current @ 72VDC	A <sub>pk</sub>		7.4	
Max. Cont. Current [Passive cooling / Fan / Fluid]	A <sub>pk</sub>		1.5 / 2.7 / -	
Terminal Resistance 25 °C / 150 °C	Ohm		4.2 / 6.2	
Terminal Inductivity	mH		0.6	
Magnetic Period	mm	(in)	20	(0.78)
<b>Thermal Data</b>				
Max. Winding Temperature (Sensor)	°C		120	
Thermal Resistance [Passive cooling / Fan / Fluid]	°K/W		6.4 / 1.9 / -	
Thermal Time Constant [Passive cooling / Fan / Fluid]	s		830 / 250 / -	
<b>Mechanical Data</b>				
Stator Diameter	mm	(in)	23	(0.91)
Stator Length [Connector type / Cable type]	mm	(in)	105	(4.1)
Stator Mass	g	(lb)	245	(0.54)
Slider Diameter	mm	(in)	12	(0.47)
Slider Length	mm	(in)	130 - 850	(5.1 - 33)
Slider Mass	g	(lb)	90 - 700	(0.2 - 1.54)
IP Code				IP 50

**STATOR**

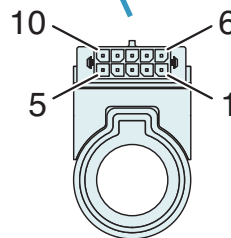


Item	Description	Item-No.
PS02-23Sx80F-HP-K	Stator HP, Cable -90°, 0°, +90°	0150-1285

**CONNECTOR**

Motor Connector Wiring		Wire color motor cable
Pin 1	Phase 1+	red
Pin 2	Phase 2+	blue
Pin 3	n.c.	n.c.
Pin 4	Phase 1-	pink
Pin 5	Phase 2-	grey
Pin 6	Sensor Sin	yellow
Pin 7	Sensor Cos	green
Pin 8	GND	brown
Pin 9	+5V	white
Pin 10	Temp sensor	black
	Housing	Shield

**K-Connector**



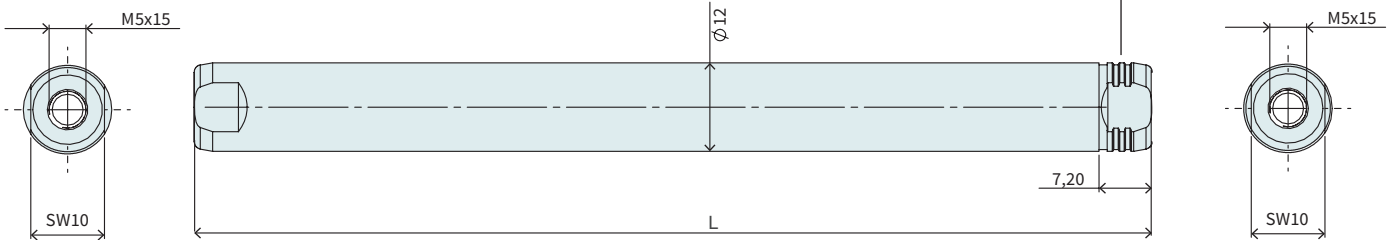
View: Motor Connector, plug side



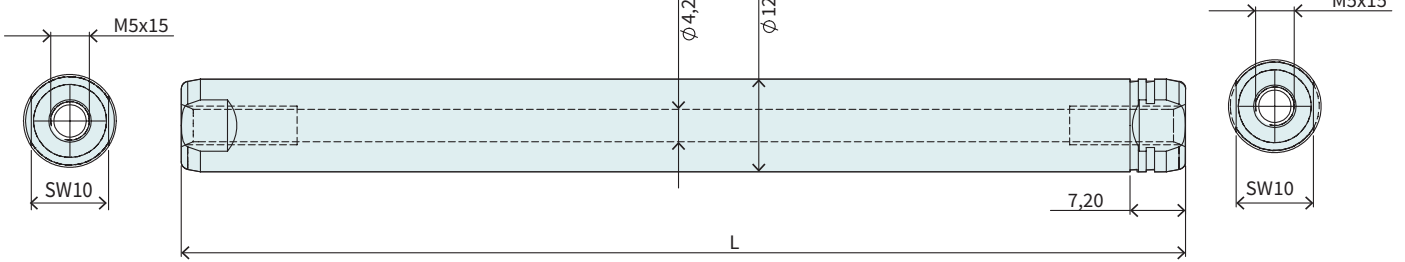
**SLIDER**

Number of grooves determines the slider type (see chapter 2 / slider) and marks the front end.

**Slider HP / Heavy Duty HP**



**Hollow slider HP**



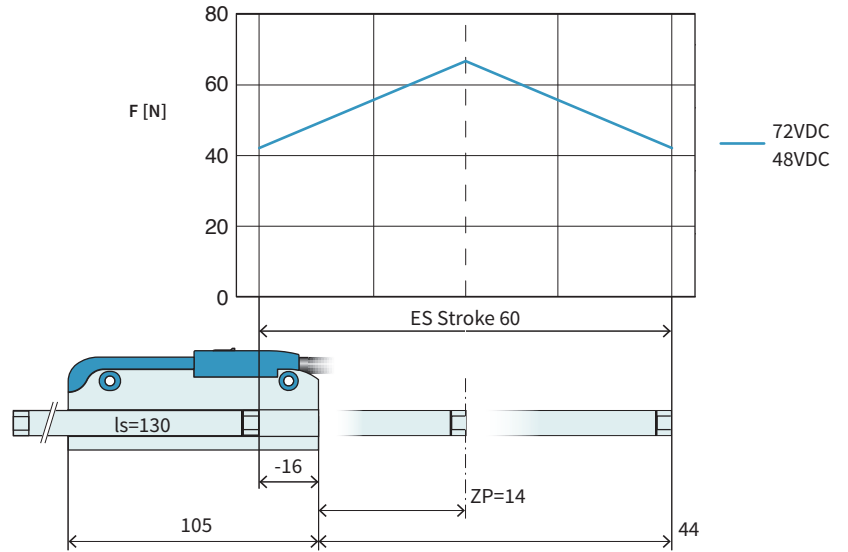
Slider High Performance				
Item	Description	Max. Stroke [mm]	Standard Stroke [mm]	Item-No.
PL01-12x130/90-HP	Slider 'High Performance'	60	-	0150-2209
PL01-12x150/110-HP	Slider 'High Performance'	80	20	0150-2281
PL01-12x170/130-HP	Slider 'High Performance'	100	40	0150-1529
PL01-12x200/160-HP	Slider 'High Performance'	130	70	0150-1518
PL01-12x230/190-HP	Slider 'High Performance'	160	100	0150-1519
PL01-12x270/230-HP	Slider 'High Performance'	200	140	0150-1520
PL01-12x290/250-HP	Slider 'High Performance'	220	160	0150-1521
PL01-12x350/310-HP	Slider 'High Performance'	280	220	0150-1522
PL01-12x420/380-HP	Slider 'High Performance'	350	290	0150-1523
PL01-12x480/440-HP	Slider 'High Performance'	410	350	0150-1524
PL01-12x580/540-HP	Slider 'High Performance'	510	450	0150-1525
PL01-12x760/720-HP	Slider 'High Performance'	690	630	0150-1526
PL01-12x850/810-HP	Slider 'High Performance'	780	720	0150-1527

Slider Heavy Duty High Performance				
Item	Description	Max. Stroke [mm]	Standard Stroke [mm]	Item-No.
PL02-12x130/90-HP	Slider 'heavy duty' 'High Performance'	60	-	on request
PL02-12x150/110-HP	Slider 'heavy duty' 'High Performance'	80	20	on request
PL02-12x170/130-HP	Slider 'heavy duty' 'High Performance'	100	40	0150-1559
PL02-12x200/160-HP	Slider 'heavy duty' 'High Performance'	130	70	0150-1532
PL02-12x230/190-HP	Slider 'heavy duty' 'High Performance'	160	100	0150-1552
PL02-12x270/230-HP	Slider 'heavy duty' 'High Performance'	200	140	0150-1533
PL02-12x290/250-HP	Slider 'heavy duty' 'High Performance'	220	160	0150-1495
PL02-12x350/310-HP	Slider 'heavy duty' 'High Performance'	280	220	0150-1555
PL02-12x420/380-HP	Slider 'heavy duty' 'High Performance'	350	290	0150-1554
PL02-12x480/440-HP	Slider 'heavy duty' 'High Performance'	410	350	0150-2519
PL02-12x580/540-HP	Slider 'heavy duty' 'High Performance'	510	450	0150-2520
PL02-12x760/720-HP	Slider 'heavy duty' 'High Performance'	690	630	0150-2521
PL02-12x850/810-HP	Slider 'heavy duty' 'High Performance'	780	720	0150-2516

Hollow slider High Performance				
Item	Description	Max. Stroke [mm]	Standard Stroke [mm]	Item-No.
PL01-12x130/90-HP-L	Slider 'High Performance L'	60	–	0150-3687
PL01-12x150/110-HP-L	Slider 'High Performance L'	80	20	on request
PL01-12x170/130-HP-L	Slider 'High Performance L'	100	40	0150-3688
PL01-12x200/160-HP-L	Slider 'High Performance L'	130	70	0150-3689
PL01-12x230/190-HP-L	Slider 'High Performance L'	160	100	0150-2546
PL01-12x270/230-HP-L	Slider 'High Performance L'	200	140	0150-2557
PL01-12x290/250-HP-L	Slider 'High Performance L'	220	160	0150-3690
PL01-12x350/310-HP-L	Slider 'High Performance L'	280	220	0150-3691
PL01-12x420/380-HP-L	Slider 'High Performance L'	350	290	0150-3692
PL01-12x480/440-HP-L	Slider 'High Performance L'	410	350	0150-3693
PL01-12x580/540-HP-L	Slider 'High Performance L'	510	450	0150-3694
PL01-12x760/720-HP-L	Slider 'High Performance L'	690	630	0150-3695
PL01-12x850/810-HP-L	Slider 'High Performance L'	780	720	on request

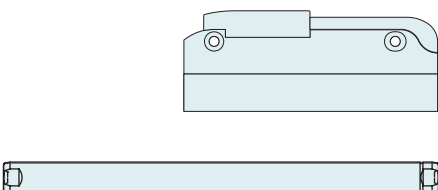
**P02-23Sx80F/0x60-HP**

**Max. Stroke:** 60 mm  
**Peak Force:** 67 N



Dimensions in mm

Technical Data P02-23Sx80F/0x60-HP				
<b>Stroke</b>				
Standard Stroke (SS)	mm (in)		0 (0)	
Extended Stroke (ES)	mm (in)		60 (2.35)	
<b>Force</b>				
Max. Force @ 48VDC	N (lbf)		67.1 (15.1)	
Max. Force @ 72VDC	N (lbf)		67.1 (15.1)	
Max. Cont. Force [Passive cooling / Fan / Fluid]	N (lbf)		13 / 24 / - (2.9 / 5.3 / -)	
Max. Border Force relative	%		63	
Force Constant	N/A <sub>pk</sub> (lbf/A <sub>pk</sub> )		8.95 (2.01)	
<b>Velocity</b>				
Max. Velocity @ 48VDC	m/s (in/s)		4.9 (189.9)	
Max. Velocity @ 72VDC	m/s (in/s)		7.3 (289.9)	
<b>Position Detection</b>				
Repeatability	mm (in)		±0.05 (±0.002)	
Linearity	%		± 0.5	
<b>Electrical Data</b>				
Max. Current @ 48VDC	A <sub>pk</sub>		7.4	
Max. Current @ 72VDC	A <sub>pk</sub>		7.4	
Max. Cont. Current [Passive cooling / Fan / Fluid]	A <sub>pk</sub>		1.5 / 2.7 / -	
<b>Thermal Data</b>				
Max. Winding Temperature (Sensor)	°C		120	
Thermal Resistance [Passive cooling / Fan / Fluid]	°K/W		6.4 / 1.9 / -	
Thermal Time Constant [Passive cooling / Fan / Fluid]	s		830 / 250 / -	
<b>Mechanical Data</b>				
Slider Length	mm (in)		130 (5.1)	
Slider Mass	g (lb)		90 (0.2)	

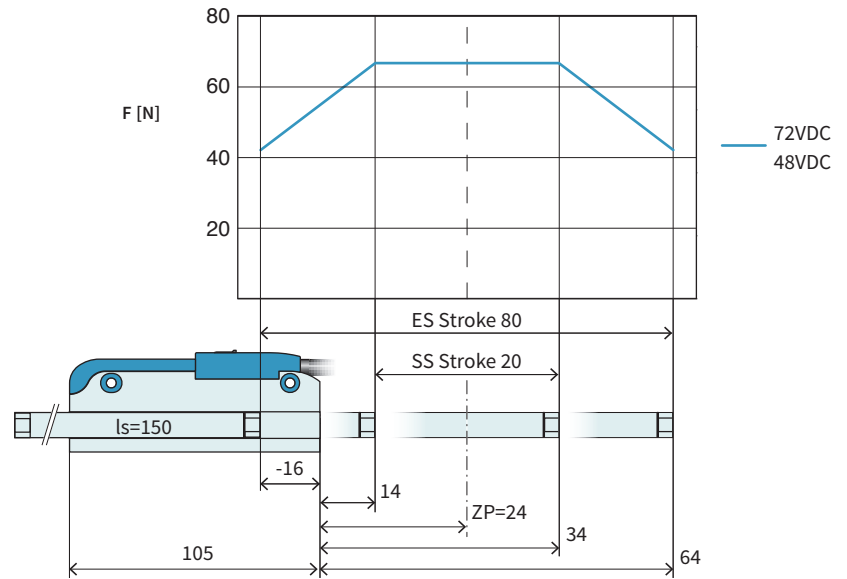


Item	Description	Item-No.
<b>PS02-23Sx80F-HP-K</b>	Stator HP, Cable -90°, 0°, +90°	0150-1285
<b>PL01-12x130/90-HP</b>	Slider 'High Performance'	0150-2209
<b>PL02-12x130/90-HP</b>	Slider 'heavy duty' 'High Performance'	on request
<b>PL01-12x130/90-HP-L*</b>	Slider 'High Performance L'	0150-3687

\* With this slider, the motor specifications above change.

**P02-23Sx80F/20x80-HP**

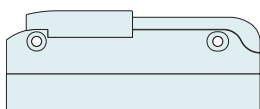
**Max. Stroke:** 80 mm  
**Peak Force:** 67 N



Dimensions in mm

Technical Data P02-23Sx80F/20x80-HP

Stroke			
Standard Stroke (SS)	mm (in)	20	(0.78)
Extended Stroke (ES)	mm (in)	80	(3.14)
Force			
Max. Force @ 48VDC	N (lbf)	67.1	(15.1)
Max. Force @ 72VDC	N (lbf)	67.1	(15.1)
Max. Cont. Force [Passive cooling / Fan / Fluid]	N (lbf)	13 / 24 / -	(2.9 / 5.3 / -)
Max. Border Force relative	%	63	
Force Constant	N/A <sub>pk</sub> (lbf/A <sub>pk</sub> )	8.95	(2.01)
Velocity			
Max. Velocity @ 48VDC	m/s (in/s)	4.9	(189.9)
Max. Velocity @ 72VDC	m/s (in/s)	7.3	(289.9)
Position Detection			
Repeatability	mm (in)	±0.05	(±0.002)
Linearity	%	± 0.4	
Electrical Data			
Max. Current @ 48VDC	A <sub>pk</sub>	7.4	
Max. Current @ 72VDC	A <sub>pk</sub>	7.4	
Max. Cont. Current [Passive cooling / Fan / Fluid]	A <sub>pk</sub>	1.5 / 2.7 / -	
Thermal Data			
Max. Winding Temperature (Sensor)	°C	120	
Thermal Resistance [Passive cooling / Fan / Fluid]	°K/W	6.4 / 1.9 / -	
Thermal Time Constant [Passive cooling / Fan / Fluid]	s	830 / 250 / -	
Mechanical Data			
Slider Length	mm (in)	150	(5.9)
Slider Mass	g (lb)	110	(0.24)

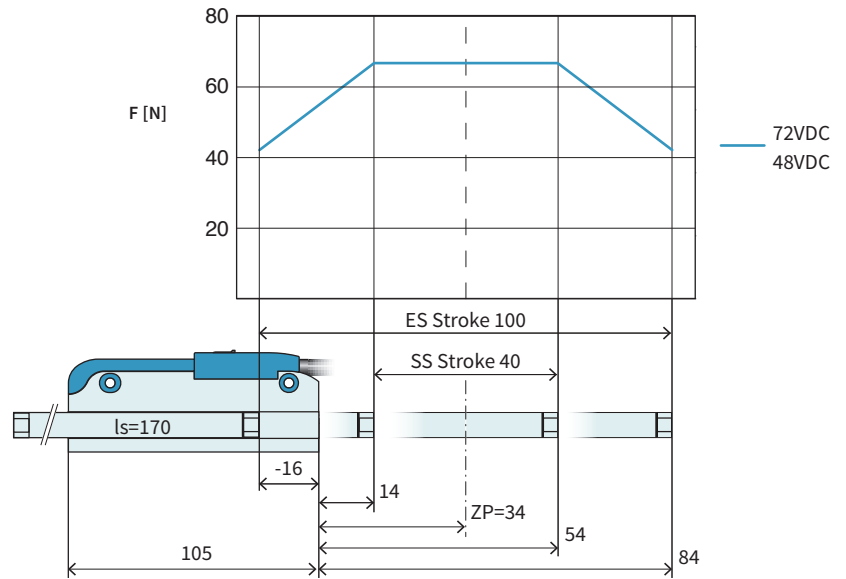


Item	Description	Item-No.
<b>PS02-23Sx80F-HP-K</b>	Stator HP, Cable -90°, 0°, +90°	0150-1285
<b>PL01-12x150/110-HP</b>	Slider 'High Performance'	0150-2281
<b>PL02-12x150/110-HP</b>	Slider 'heavy duty' 'High Performance'	on request
<b>PL01-12x150/110-HP-L*</b>	Slider 'High Performance L'	on request

\* With this slider, the motor specifications above change.

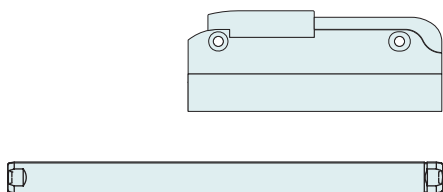
**P02-23Sx80F/40x100-HP**

**Max. Stroke:** 100 mm  
**Peak Force:** 67 N



Dimensions in mm

Technical Data P02-23Sx80F/40x100-HP				
<b>Stroke</b>				
Standard Stroke (SS)	mm	(in)	40	(1.57)
Extended Stroke (ES)	mm	(in)	100	(3.93)
<b>Force</b>				
Max. Force @ 48VDC	N	(lbf)	67.1	(15.1)
Max. Force @ 72VDC	N	(lbf)	67.1	(15.1)
Max. Cont. Force [Passive cooling / Fan / Fluid]	N	(lbf)	13 / 24 / -	(2.9 / 5.3 / -)
Max. Border Force relative	%		63	
Force Constant	N/A <sub>pk</sub>	(lbf/A <sub>pk</sub> )	8.95	(2.01)
<b>Velocity</b>				
Max. Velocity @ 48VDC	m/s	(in/s)	4.9	(189.9)
Max. Velocity @ 72VDC	m/s	(in/s)	7.3	(289.9)
<b>Position Detection</b>				
Repeatability	mm	(in)	±0.05	(±0.002)
Linearity	%		± 0.35	
<b>Electrical Data</b>				
Max. Current @ 48VDC	A <sub>pk</sub>		7.4	
Max. Current @ 72VDC	A <sub>pk</sub>		7.4	
Max. Cont. Current [Passive cooling / Fan / Fluid]	A <sub>pk</sub>		1.5 / 2.7 / -	
<b>Thermal Data</b>				
Max. Winding Temperature (Sensor)	°C		120	
Thermal Resistance [Passive cooling / Fan / Fluid]	°K/W		6.4 / 1.9 / -	
Thermal Time Constant [Passive cooling / Fan / Fluid]	s		830 / 250 / -	
<b>Mechanical Data</b>				
Slider Length	mm	(in)	170	(6.7)
Slider Mass	g	(lb)	130	(0.28)

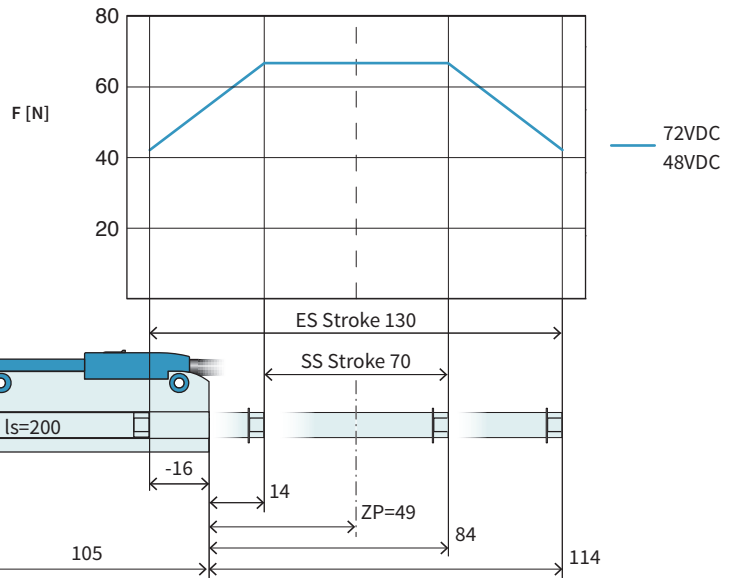


Item	Description	Item-No.
<b>PS02-23Sx80F-HP-K</b>	Stator HP, Cable -90°, 0°, +90°	0150-1285
<b>PL01-12x170/130-HP</b>	Slider 'High Performance'	0150-1529
<b>PL02-12x170/130-HP</b>	Slider 'heavy duty' 'High Performance'	0150-1559
<b>PL01-12x170/130-HP-L*</b>	Slider 'High Performance' L'	0150-3688

\* With this slider, the motor specifications above change.

**P02-23Sx80F/70x130-HP**

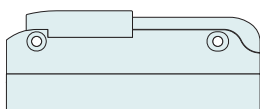
**Max. Stroke:** 130 mm  
**Peak Force:** 67 N



Dimensions in mm

Technical Data P02-23Sx80F/70x130-HP

Stroke			
Standard Stroke (SS)	mm (in)		70 (2.75)
Extended Stroke (ES)	mm (in)		130 (5.12)
Force			
Max. Force @ 48VDC	N (lbf)		67.1 (15.1)
Max. Force @ 72VDC	N (lbf)		67.1 (15.1)
Max. Cont. Force [Passive cooling / Fan / Fluid]	N (lbf)		13 / 24 / - (2.9 / 5.3 / -)
Max. Border Force relative	%		63
Force Constant	N/A <sub>pk</sub> (lbf/A <sub>pk</sub> )		8.95 (2.01)
Velocity			
Max. Velocity @ 48VDC	m/s (in/s)		4.9 (189.9)
Max. Velocity @ 72VDC	m/s (in/s)		7.3 (289.9)
Position Detection			
Repeatability	mm (in)		±0.05 (±0.002)
Linearity	%		± 0.3
Electrical Data			
Max. Current @ 48VDC	A <sub>pk</sub>		7.4
Max. Current @ 72VDC	A <sub>pk</sub>		7.4
Max. Cont. Current [Passive cooling / Fan / Fluid]	A <sub>pk</sub>		1.5 / 2.7 / -
Thermal Data			
Max. Winding Temperature (Sensor)	°C		120
Thermal Resistance [Passive cooling / Fan / Fluid]	°K/W		6.4 / 1.9 / -
Thermal Time Constant [Passive cooling / Fan / Fluid]	s		830 / 250 / -
Mechanical Data			
Slider Length	mm (in)		200 (7.9)
Slider Mass	g (lb)		155 (0.34)

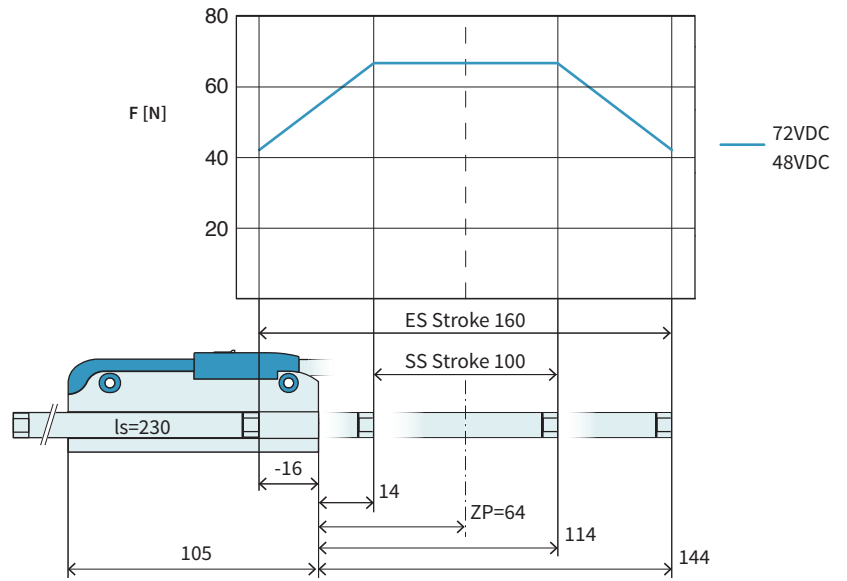


Item	Description	Item-No.
<b>PS02-23Sx80F-HP-K</b>	Stator HP, Cable -90°, 0°, +90°	0150-1285
<b>PL01-12x200/160-HP</b>	Slider 'High Performance'	0150-1518
<b>PL02-12x200/160-HP</b>	Slider 'heavy duty' 'High Performance'	0150-1532
<b>PL01-12x200/160-HP-L*</b>	Slider 'High Performance L'	0150-3689

\* With this slider, the motor specifications above change.

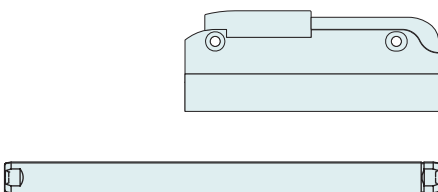
**P02-23Sx80F/100x160-HP**

**Max. Stroke:** 160 mm  
**Peak Force:** 67 N



Dimensions in mm

Technical Data P02-23Sx80F/100x160-HP				
<b>Stroke</b>				
Standard Stroke (SS)	mm	(in)	100	(3.93)
Extended Stroke (ES)	mm	(in)	160	(6.29)
<b>Force</b>				
Max. Force @ 48VDC	N	(lbf)	67.1	(15.1)
Max. Force @ 72VDC	N	(lbf)	67.1	(15.1)
Max. Cont. Force [Passive cooling / Fan / Fluid]	N	(lbf)	13 / 24 / -	(2.9 / 5.3 / -)
Max. Border Force relative	%		63	
Force Constant	N/A <sub>pk</sub>	(lbf/A <sub>pk</sub> )	8.95	(2.01)
<b>Velocity</b>				
Max. Velocity @ 48VDC	m/s	(in/s)	4.9	(189.9)
Max. Velocity @ 72VDC	m/s	(in/s)	7.3	(289.9)
<b>Position Detection</b>				
Repeatability	mm	(in)	±0.05	(±0.002)
Linearity	%		±0.25	
<b>Electrical Data</b>				
Max. Current @ 48VDC	A <sub>pk</sub>		7.4	
Max. Current @ 72VDC	A <sub>pk</sub>		7.4	
Max. Cont. Current [Passive cooling / Fan / Fluid]	A <sub>pk</sub>		1.5 / 2.7 / -	
<b>Thermal Data</b>				
Max. Winding Temperature (Sensor)	°C		120	
Thermal Resistance [Passive cooling / Fan / Fluid]	°K/W		6.4 / 1.9 / -	
Thermal Time Constant [Passive cooling / Fan / Fluid]	s		830 / 250 / -	
<b>Mechanical Data</b>				
Slider Length	mm	(in)	230	(9.1)
Slider Mass	g	(lb)	180	(0.4)



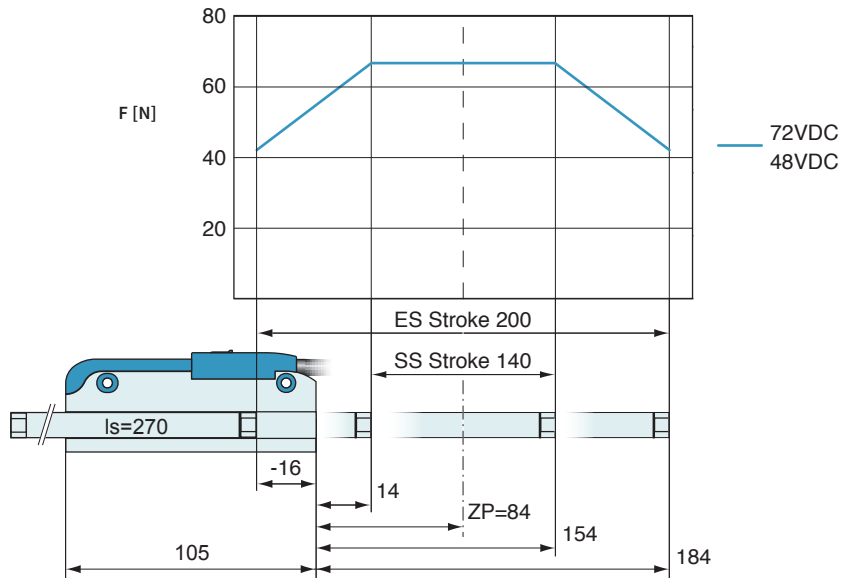
Item	Description	Item-No.
<b>PS02-23Sx80F-HP-K</b>	Stator HP, Cable -90°, 0°, +90°	0150-1285
<b>PL01-12x230/190-HP</b>	Slider 'High Performance'	0150-1519
<b>PL02-12x230/190-HP</b>	Slider 'heavy duty' 'High Performance'	0150-1552
<b>PL01-12x230/190-HP-L*</b>	Slider 'High Performance L'	0150-2546

\* With this slider, the motor specifications above change.

**P0S-23Sx80F/140x200-HP**

3

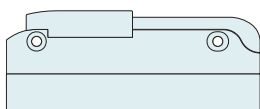
**Max. Stroke:** 200 mm  
**Peak Force:** 67 N



Dimensions in mm

Technical Data P02-23Sx80F/140x200-HP

Stroke			
Standard Stroke (SS)	mm (in)	140	(5.5)
Extended Stroke (ES)	mm (in)	200	(7.86)
Force			
Max. Force @ 48VDC	N (lbf)	67.1	(15.1)
Max. Force @ 72VDC	N (lbf)	67.1	(15.1)
Max. Cont. Force [Passive cooling / Fan / Fluid]	N (lbf)	13 / 24 / -	(2.9 / 5.3 / -)
Max. Border Force relative	%	63	
Force Constant	N/A <sub>pk</sub> (lbf/A <sub>pk</sub> )	8.95	(2.01)
Velocity			
Max. Velocity @ 48VDC	m/s (in/s)	4.9	(189.9)
Max. Velocity @ 72VDC	m/s (in/s)	7.3	(289.9)
Position Detection			
Repeatability	mm (in)	±0.05	(±0.002)
Linearity	%	± 0.2	
Electrical Data			
Max. Current @ 48VDC	A <sub>pk</sub>	7.4	
Max. Current @ 72VDC	A <sub>pk</sub>	7.4	
Max. Cont. Current [Passive cooling / Fan / Fluid]	A <sub>pk</sub>	1.5 / 2.7 / -	
Thermal Data			
Max. Winding Temperature (Sensor)	°C	120	
Thermal Resistance [Passive cooling / Fan / Fluid]	°K/W	6.4 / 1.9 / -	
Thermal Time Constant [Passive cooling / Fan / Fluid]	s	830 / 250 / -	
Mechanical Data			
Slider Length	mm (in)	270	(11)
Slider Mass	g (lb)	215	(0.47)



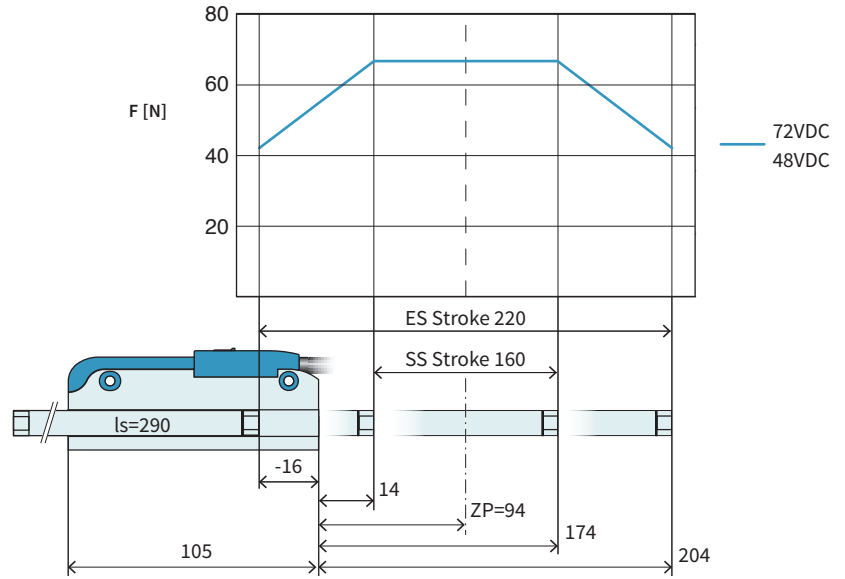
Item	Description	Item-No.
<b>PS02-23Sx80F-HP-K</b>	Stator HP, Cable -90°, 0°, +90°	0150-1285
<b>PL01-12x270/230-HP</b>	Slider 'High Performance'	0150-1520
<b>PL02-12x270/230-HP</b>	Slider 'heavy duty' 'High Performance'	0150-1533
<b>PL01-12x270/230-HP-L*</b>	Slider 'High Performance L'	0150-2557

\* With this slider, the motor specifications above change.



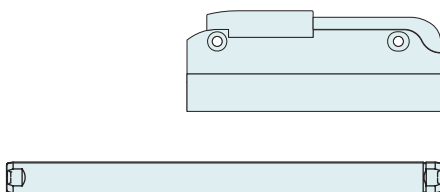
**P02-23Sx80F/160x220-HP**

**Max. Stroke:** 220 mm  
**Peak Force:** 67 N



Dimensions in mm

Technical Data P02-23Sx80F/160x220-HP			
<b>Stroke</b>			
Standard Stroke (SS)	mm (in)	160 (6.29)	
Extended Stroke (ES)	mm (in)	220 (8.65)	
<b>Force</b>			
Max. Force @ 48VDC	N (lbf)	67.1 (15.1)	
Max. Force @ 72VDC	N (lbf)	67.1 (15.1)	
Max. Cont. Force [Passive cooling / Fan / Fluid]	N (lbf)	13 / 24 / - (2.9 / 5.3 / -)	
Max. Border Force relative	%	63	
Force Constant	N/A <sub>pk</sub> (lbf/A <sub>pk</sub> )	8.95 (2.01)	
<b>Velocity</b>			
Max. Velocity @ 48VDC	m/s (in/s)	4.9 (189.9)	
Max. Velocity @ 72VDC	m/s (in/s)	7.3 (289.9)	
<b>Position Detection</b>			
Repeatability	mm (in)	±0.05 (±0.002)	
Linearity	%	± 0.2	
<b>Electrical Data</b>			
Max. Current @ 48VDC	A <sub>pk</sub>	7.4	
Max. Current @ 72VDC	A <sub>pk</sub>	7.4	
Max. Cont. Current [Passive cooling / Fan / Fluid]	A <sub>pk</sub>	1.5 / 2.7 / -	
<b>Thermal Data</b>			
Max. Winding Temperature (Sensor)	°C	120	
Thermal Resistance [Passive cooling / Fan / Fluid]	°K/W	6.4 / 1.9 / -	
Thermal Time Constant [Passive cooling / Fan / Fluid]	s	830 / 250 / -	
<b>Mechanical Data</b>			
Slider Length	mm (in)	290 (11)	
Slider Mass	g (lb)	230 (0.51)	



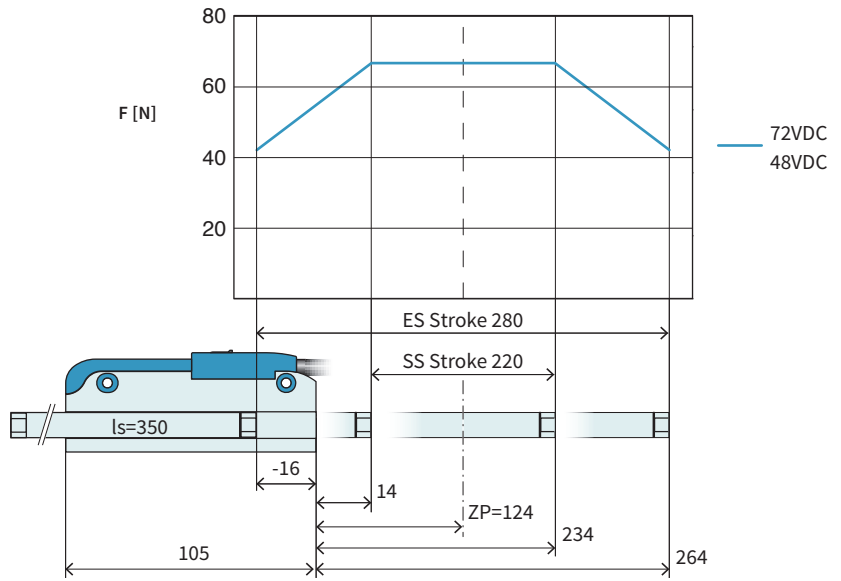
Item	Description	Item-No.
<b>PS02-23Sx80F-HP-K</b>	Stator HP, Cable -90°, 0°, +90°	0150-1285
<b>PL01-12x290/250-HP</b>	Slider 'High Performance'	0150-1521
<b>PL02-12x290/250-HP</b>	Slider 'heavy duty' 'High Performance'	0150-1495
<b>PL01-12x290/250-HP-L*</b>	Slider 'High Performance L'	0150-3690

\* With this slider, the motor specifications above change.

**P02-23Sx80F/220x280-HP**

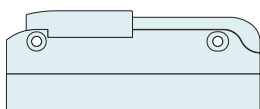
**Max. Stroke:** 280 mm  
**Peak Force:** 67 N

Dimensions in mm



Technical Data P02-23Sx80F/220x280-HP

Stroke			
Standard Stroke (SS)	mm (in)	220	(8.65)
Extended Stroke (ES)	mm (in)	280	(10.99)
Force			
Max. Force @ 48VDC	N (lbf)	67.1	(15.1)
Max. Force @ 72VDC	N (lbf)	67.1	(15.1)
Max. Cont. Force [Passive cooling / Fan / Fluid]	N (lbf)	13 / 24 / -	(2.9 / 5.3 / -)
Max. Border Force relative	%	63	
Force Constant	N/A <sub>pk</sub> (lbf/A <sub>pk</sub> )	8.95	(2.01)
Velocity			
Max. Velocity @ 48VDC	m/s (in/s)	4.9	(189.9)
Max. Velocity @ 72VDC	m/s (in/s)	7.3	(289.9)
Position Detection			
Repeatability	mm (in)	±0.05	(±0.002)
Linearity	%	± 0.2	
Electrical Data			
Max. Current @ 48VDC	A <sub>pk</sub>	7.4	
Max. Current @ 72VDC	A <sub>pk</sub>	7.4	
Max. Cont. Current [Passive cooling / Fan / Fluid]	A <sub>pk</sub>	1.5 / 2.7 / -	
Thermal Data			
Max. Winding Temperature (Sensor)	°C	120	
Thermal Resistance [Passive cooling / Fan / Fluid]	°K/W	6.4 / 1.9 / -	
Thermal Time Constant [Passive cooling / Fan / Fluid]	s	830 / 250 / -	
Mechanical Data			
Slider Length	mm (in)	350	(14)
Slider Mass	g (lb)	280	(0.62)

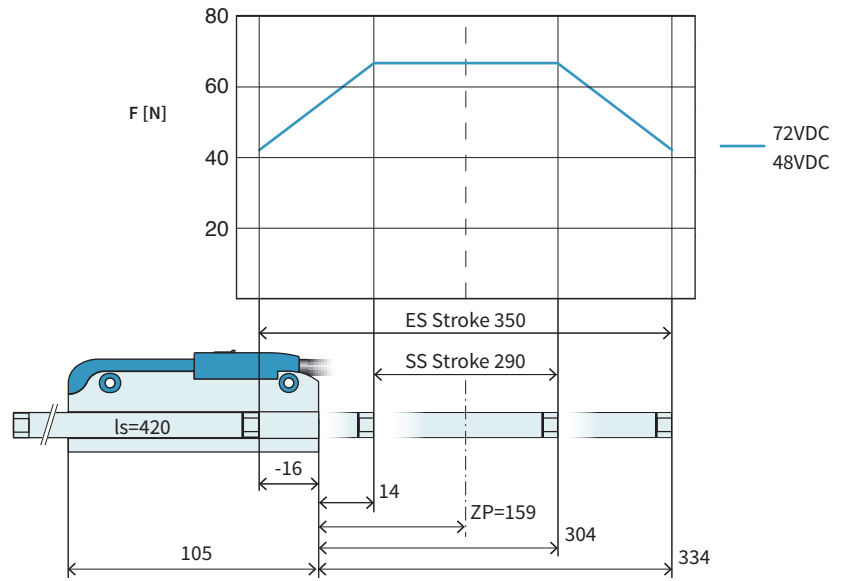


Item	Description	Item-No.
<b>PS02-23Sx80F-HP-K</b>	Stator HP, Cable -90°, 0°, +90°	0150-1285
<b>PL01-12x350/310-HP</b>	Slider 'High Performance'	0150-1522
<b>PL02-12x350/310-HP</b>	Slider 'heavy duty' 'High Performance'	0150-1555
<b>PL01-12x350/310-HP-L*</b>	Slider 'High Performance L'	0150-3691

\* With this slider, the motor specifications above change.

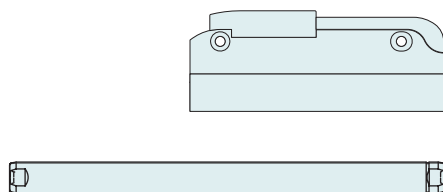
**P02-23Sx80F/290x350-HP**

**Max. Stroke:** 350 mm  
**Peak Force:** 67 N



Dimensions in mm

Technical Data P02-23Sx80F/290x350-HP				
<b>Stroke</b>				
Standard Stroke (SS)	mm (in)		290 (11.4)	
Extended Stroke (ES)	mm (in)		350 (13.8)	
<b>Force</b>				
Max. Force @ 48VDC	N (lbf)		67.1 (15.1)	
Max. Force @ 72VDC	N (lbf)		67.1 (15.1)	
Max. Cont. Force [Passive cooling / Fan / Fluid]	N (lbf)		13 / 24 / - (2.9 / 5.3 / -)	
Max. Border Force relative	%		63	
Force Constant	N/A <sub>pk</sub> (lbf/A <sub>pk</sub> )		8.95 (2.01)	
<b>Velocity</b>				
Max. Velocity @ 48VDC	m/s (in/s)		4.9 (189.9)	
Max. Velocity @ 72VDC	m/s (in/s)		7.3 (289.9)	
<b>Position Detection</b>				
Repeatability	mm (in)		±0.05 (±0.002)	
Linearity	%		±0.15	
<b>Electrical Data</b>				
Max. Current @ 48VDC	A <sub>pk</sub>		7.4	
Max. Current @ 72VDC	A <sub>pk</sub>		7.4	
Max. Cont. Current [Passive cooling / Fan / Fluid]	A <sub>pk</sub>		1.5 / 2.7 / -	
<b>Thermal Data</b>				
Max. Winding Temperature (Sensor)	°C		120	
Thermal Resistance [Passive cooling / Fan / Fluid]	°K/W		6.4 / 1.9 / -	
Thermal Time Constant [Passive cooling / Fan / Fluid]	s		830 / 250 / -	
<b>Mechanical Data</b>				
Slider Length	mm (in)		420 (17)	
Slider Mass	g (lb)		340 (0.75)	

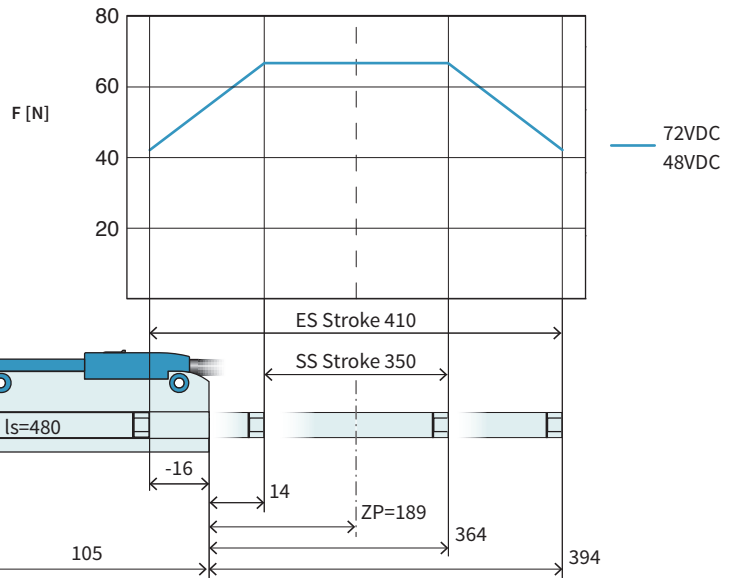


Item	Description	Item-No.
<b>PS02-23Sx80F-HP-K</b>	Stator HP, Cable -90°, 0°, +90°	0150-1285
<b>PL01-12x420/380-HP</b>	Slider 'High Performance'	0150-1523
<b>PL02-12x420/380-HP</b>	Slider 'heavy duty' 'High Performance'	0150-1554
<b>PL01-12x420/380-HP-L*</b>	Slider 'High Performance L'	0150-3692

\* With this slider, the motor specifications above change.

**P02-23Sx80F/350x410-HP**

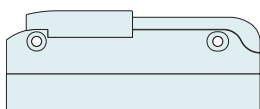
**Max. Stroke:** 410 mm  
**Peak Force:** 67 N



Dimensions in mm

Technical Data P02-23Sx80F/350x410-HP

Stroke			
Standard Stroke (SS)	mm (in)		350 (13.8)
Extended Stroke (ES)	mm (in)		410 (16.1)
Force			
Max. Force @ 48VDC	N (lbf)		67.1 (15.1)
Max. Force @ 72VDC	N (lbf)		67.1 (15.1)
Max. Cont. Force [Passive cooling / Fan / Fluid]	N (lbf)		13 / 24 / - (2.9 / 5.3 / -)
Max. Border Force relative	%		63
Force Constant	N/A <sub>pk</sub> (lbf/A <sub>pk</sub> )		8.95 (2.01)
Velocity			
Max. Velocity @ 48VDC	m/s (in/s)		4.9 (189.9)
Max. Velocity @ 72VDC	m/s (in/s)		7.3 (289.9)
Position Detection			
Repeatability	mm (in)		±0.05 (±0.002)
Linearity	%		± 0.15
Electrical Data			
Max. Current @ 48VDC	A <sub>pk</sub>		7.4
Max. Current @ 72VDC	A <sub>pk</sub>		7.4
Max. Cont. Current [Passive cooling / Fan / Fluid]	A <sub>pk</sub>		1.5 / 2.7 / -
Thermal Data			
Max. Winding Temperature (Sensor)	°C		120
Thermal Resistance [Passive cooling / Fan / Fluid]	°K/W		6.4 / 1.9 / -
Thermal Time Constant [Passive cooling / Fan / Fluid]	s		830 / 250 / -
Mechanical Data			
Slider Length	mm (in)		480 (19)
Slider Mass	g (lb)		390 (0.78)

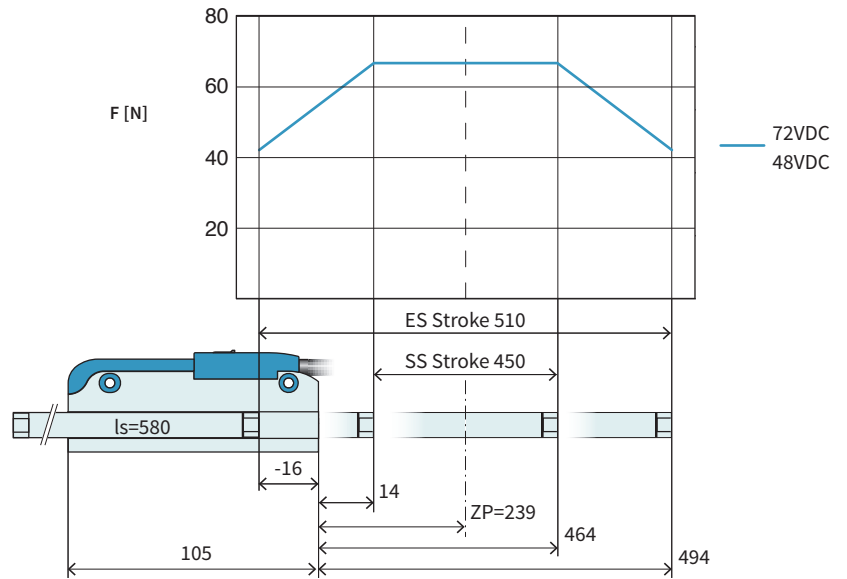


Item	Description	Item-No.
<b>PS02-23Sx80F-HP-K</b>	Stator HP, Cable -90°, 0°, +90°	0150-1285
<b>PL01-12x480/440-HP</b>	Slider 'High Performance'	0150-1524
<b>PL02-12x480/440-HP</b>	Slider 'heavy duty' 'High Performance'	0150-2519
<b>PL01-12x480/440-HP-L*</b>	Slider 'High Performance L'	0150-3693

\* With this slider, the motor specifications above change.

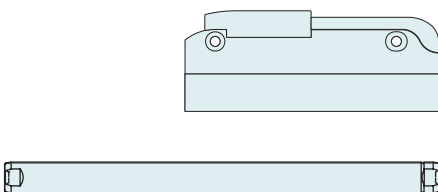
**P02-23Sx80F/450x510-HP**

**Max. Stroke:** 510 mm  
**Peak Force:** 67 N



Dimensions in mm

Technical Data P02-23Sx80F/450x510-HP				
<b>Stroke</b>				
Standard Stroke (SS)	mm	(in)	450	(17.69)
Extended Stroke (ES)	mm	(in)	510	(20.1)
<b>Force</b>				
Max. Force @ 48VDC	N	(lbf)	67.1	(15.1)
Max. Force @ 72VDC	N	(lbf)	67.1	(15.1)
Max. Cont. Force [Passive cooling / Fan / Fluid]	N	(lbf)	13 / 24 / -	(2.9 / 5.3 / -)
Max. Border Force relative	%		63	
Force Constant	N/A <sub>pk</sub>	(lbf/A <sub>pk</sub> )	8.95	(2.01)
<b>Velocity</b>				
Max. Velocity @ 48VDC	m/s	(in/s)	4.9	(189.9)
Max. Velocity @ 72VDC	m/s	(in/s)	7.3	(289.9)
<b>Position Detection</b>				
Repeatability	mm	(in)	±0.05	(±0.002)
Linearity	%		±0.15	
<b>Electrical Data</b>				
Max. Current @ 48VDC	A <sub>pk</sub>		7.4	
Max. Current @ 72VDC	A <sub>pk</sub>		7.4	
Max. Cont. Current [Passive cooling / Fan / Fluid]	A <sub>pk</sub>		1.5 / 2.7 / -	
<b>Thermal Data</b>				
Max. Winding Temperature (Sensor)	°C		120	
Thermal Resistance [Passive cooling / Fan / Fluid]	°K/W		6.4 / 1.9 / -	
Thermal Time Constant [Passive cooling / Fan / Fluid]	s		830 / 250 / -	
<b>Mechanical Data</b>				
Slider Length	mm	(in)	580	(23)
Slider Mass	g	(lb)	480	(1.06)

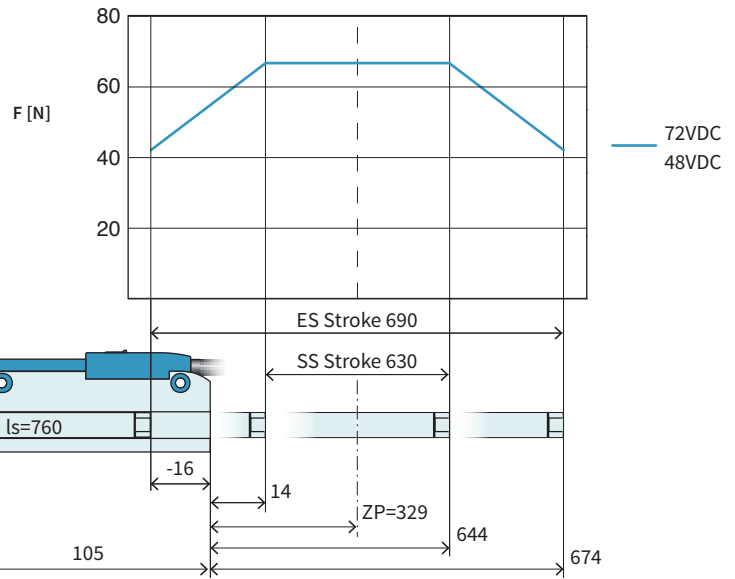


Item	Description	Item-No.
<b>PS02-23Sx80F-HP-K</b>	Stator HP, Cable -90°, 0°, +90°	0150-1285
<b>PL01-12x580/540-HP</b>	Slider 'High Performance'	0150-1525
<b>PL02-12x580/540-HP</b>	Slider 'heavy duty' 'High Performance'	0150-2520
<b>PL01-12x580/540-HP-L*</b>	Slider 'High Performance' L'	0150-3694

\* With this slider, the motor specifications above change.

**P02-23Sx80F/630x690-HP**

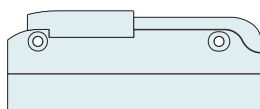
**Max. Stroke:** 690 mm  
**Peak Force:** 67 N



Dimensions in mm

Technical Data P02-23Sx80F/630x690-HP

Stroke			
Standard Stroke (SS)	mm (in)	630 (24.8)	
Extended Stroke (ES)	mm (in)	690 (27.19)	
Force			
Max. Force @ 48VDC	N (lbf)	67.1 (15.1)	
Max. Force @ 72VDC	N (lbf)	67.1 (15.1)	
Max. Cont. Force [Passive cooling / Fan / Fluid]	N (lbf)	13 / 24 / - (2.9 / 5.3 / -)	
Max. Border Force relative	%	63	
Force Constant	N/A <sub>pk</sub> (lbf/A <sub>pk</sub> )	8.95 (2.01)	
Velocity			
Max. Velocity @ 48VDC	m/s (in/s)	4.9 (189.9)	
Max. Velocity @ 72VDC	m/s (in/s)	7.3 (289.9)	
Position Detection			
Repeatability	mm (in)	±0.05 (±0.002)	
Linearity	%	± 0.15	
Electrical Data			
Max. Current @ 48VDC	A <sub>pk</sub>	7.4	
Max. Current @ 72VDC	A <sub>pk</sub>	7.4	
Max. Cont. Current [Passive cooling / Fan / Fluid]	A <sub>pk</sub>	1.5 / 2.7 / -	
Thermal Data			
Max. Winding Temperature (Sensor)	°C	120	
Thermal Resistance [Passive cooling / Fan / Fluid]	°K/W	6.4 / 1.9 / -	
Thermal Time Constant [Passive cooling / Fan / Fluid]	s	830 / 250 / -	
Mechanical Data			
Slider Length	mm (in)	760 (30)	
Slider Mass	g (lb)	630 (1.39)	

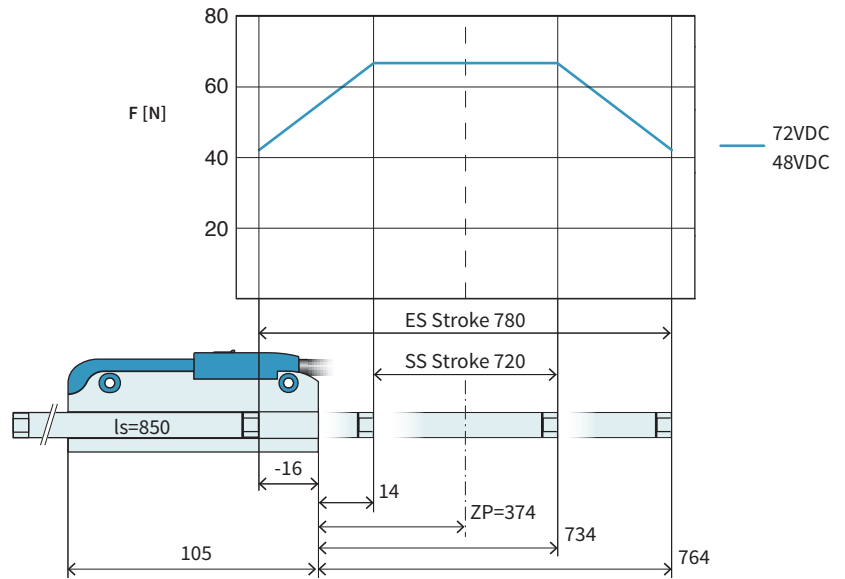


Item	Description	Item-No.
<b>PS02-23Sx80F-HP-K</b>	Stator HP, Cable -90°, 0°, +90°	0150-1285
<b>PL01-12x760/720-HP</b>	Slider 'High Performance'	0150-1526
<b>PL02-12x760/720-HP</b>	Slider 'heavy duty' 'High Performance'	0150-2521
<b>PL01-12x760/720-HP-L*</b>	Slider 'High Performance L'	0150-3695

\* With this slider, the motor specifications above change.

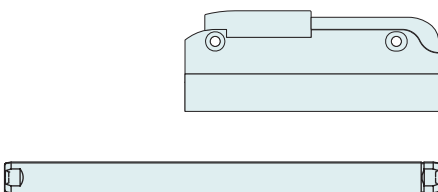
**P02-23Sx80F/720x780-HP**

**Max. Stroke:** 780 mm  
**Peak Force:** 67 N



Dimensions in mm

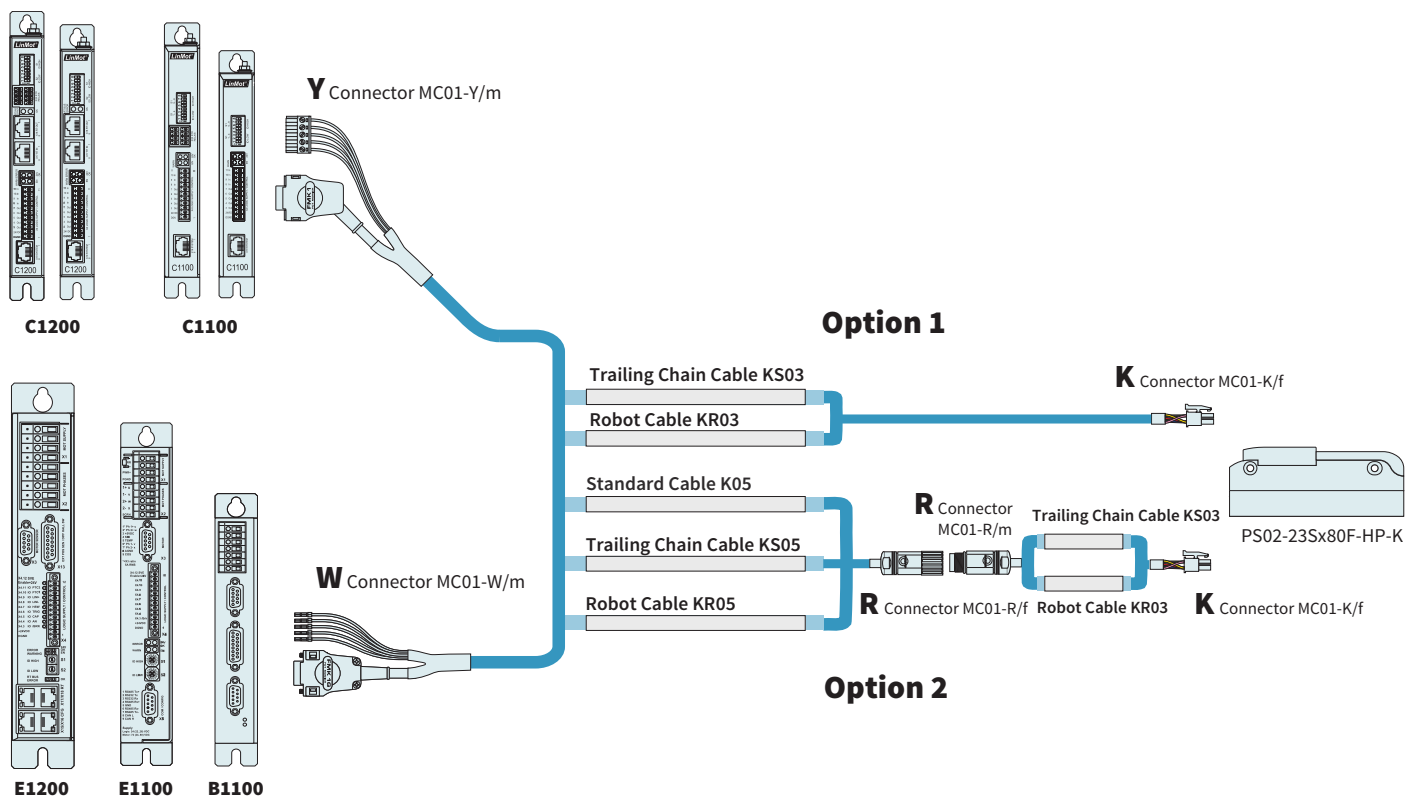
Technical Data P02-23Sx80F/720x780-HP				
<b>Stroke</b>				
Standard Stroke (SS)	mm	(in)	720	(28.3)
Extended Stroke (ES)	mm	(in)	780	(30.69)
<b>Force</b>				
Max. Force @ 48VDC	N	(lbf)	67.1	(15.1)
Max. Force @ 72VDC	N	(lbf)	67.1	(15.1)
Max. Cont. Force [Passive cooling / Fan / Fluid]	N	(lbf)	13 / 24 / -	(2.9 / 5.3 / -)
Max. Border Force relative	%		63	
Force Constant	N/A <sub>pk</sub>	(lbf/A <sub>pk</sub> )	8.95	(2.01)
<b>Velocity</b>				
Max. Velocity @ 48VDC	m/s	(in/s)	4.9	(189.9)
Max. Velocity @ 72VDC	m/s	(in/s)	7.3	(289.9)
<b>Position Detection</b>				
Repeatability	mm	(in)	±0.05	(±0.002)
Linearity	%		±0.15	
<b>Electrical Data</b>				
Max. Current @ 48VDC	A <sub>pk</sub>		7.4	
Max. Current @ 72VDC	A <sub>pk</sub>		7.4	
Max. Cont. Current [Passive cooling / Fan / Fluid]	A <sub>pk</sub>		1.5 / 2.7 / -	
<b>Thermal Data</b>				
Max. Winding Temperature (Sensor)	°C		120	
Thermal Resistance [Passive cooling / Fan / Fluid]	°K/W		6.4 / 1.9 / -	
Thermal Time Constant [Passive cooling / Fan / Fluid]	s		830 / 250 / -	
<b>Mechanical Data</b>				
Slider Length	mm	(in)	850	(33)
Slider Mass	g	(lb)	700	(1.54)



Item	Description	Item-No.
<b>PS02-23Sx80F-HP-K</b>	Stator HP, Cable -90°, 0°, +90°	0150-1285
<b>PL01-12x850/810-HP</b>	Slider 'High Performance'	0150-1527
<b>PL02-12x850/810-HP</b>	Slider 'heavy duty' 'High Performance'	0150-2516
<b>PL01-12x850/810-HP-L*</b>	Slider 'High Performance L'	on request

\* With this slider, the motor specifications above change.

Motor Cable



ORDERING INFORMATION

OPTION 1 – TRAILING CHAIN CABLE / ROBOT CABLE		
Item	Description	Item-No.
KS03-W-Fe/K-2	Trailing Chain Cable W-Fe/K 2 m	0150-2187
KS03-W-Fe/K-4	Trailing Chain Cable W-Fe/K 4 m	0150-2369
KS03-W-Fe/K-6	Trailing Chain Cable W-Fe/K 6 m	0150-2370
KS03-W-Fe/K-	Trailing Chain Cable W-Fe/K, Custom Length (max. 6m)	0150-3357
KS03-Y-Fe/K-2	Trailing Chain Cable Y-Fe/K, 2 m	0150-2446
KS03-Y-Fe/K-4	Trailing Chain Cable Y-Fe/K, 4 m	0150-2447
KS03-Y-Fe/K-6	Trailing Chain Cable Y-Fe/K, 6 m	0150-2448
KS03-Y-Fe/K-	Trailing Chain Cable Y-Fe/K, Custom Length (max. 6m)	0150-3516
KR03-Y-Fe/K-	Robot Cable KR03-Y-Fe/K, Custom Length (max. 6m)	0150-3718
KR03-W-Fe/K-	Robot Cable KR03-W-Fe/K, Custom Length (max. 6m)	0150-3755

OPTION 2 – STANDARD CABLE		
Item	Description	Item-No.
K05-W/R-2	Motor Cable W/R, 2 m	0150-2119
K05-W/R-4	Motor Cable W/R, 4 m	0150-2120
K05-W/R-6	Motor Cable W/R, 6 m	0150-2121
K05-W/R-8	Motor Cable W/R, 8 m	0150-2122
K05-W/R-	Motor Cable W/R, Custom length	0150-3262
K05-Y/R-2	Motor Cable Y/R, 2 m	0150-2421
K05-Y/R-4	Motor Cable Y/R, 4 m	0150-2422
K05-Y/R-6	Motor Cable Y/R, 6 m	0150-2423
K05-Y/R-8	Motor Cable Y/R, 8 m	0150-2424
K05-Y-Fe/R-	Motor Cable Y/R, Custom length	0150-3501



OPTION 2 – TRAILING CHAIN CABLE		
Item	Description	Item-No.
<b>KS05-W/R-4</b>	Trailing Chain Cable W/R, 4 m	0150-2106
<b>KS05-W/R-6</b>	Trailing Chain Cable W/R, 6 m	0150-2131
<b>KS05-W/R-8</b>	Trailing Chain Cable W/R, 8 m	0150-2107
<b>KS05-W/R-</b>	Trailing Chain Cable W/R, Custom length	0150-3256
<b>KS05-Y/R-4</b>	Trailing Chain Cable Y/R, 4 m	0150-2433
<b>KS05-Y/R-6</b>	Trailing Chain Cable Y/R, 6 m	0150-2434
<b>KS05-Y/R-8</b>	Trailing Chain Cable Y/R, 8 m	0150-2435
<b>KS05-Y/R-</b>	Trailing Chain Cable Y/R, Custom length	0150-3507

OPTION 2 – ROBOT CABLE		
Item	Description	Item-No.
<b>KR05-W/R-</b>	Robot Cable KR05-W/R, Custom length	0150-3336
<b>KR05-Y-Fe/R-</b>	Robot Cable KR05-Y-Fe/R, Custom length	0150-3512

OPTION 2 – TRAILING CHAIN CABLE / ROBOT CABLE		
Item	Description	Item-No.
<b>KS03-R/K-1</b>	Trailing Chain Cable R/K 1 m	0150-2185
<b>KS03-R/K-2</b>	Trailing Chain Cable R/K 2 m	0150-2186
<b>KS03-R/K-</b>	Trailing Chain Cable R/K, Custom length (max. 6m)	0150-3530
<b>KR03-R/K-</b>	Robot Cable R/K, Custom length (max. 6m)	0150-3754

CONNECTOR & CABLE (INDIVIDUAL)		
Item	Description	Item-No.
<b>MC01-W/m</b>	Motor Connector W/m	0150-3140
<b>MC01-Y-Fe/m</b>	Motor Connector Y-Fe/m	0150-3289
<b>MC01-R/f</b>	Motor Connector R/f	0150-3129
<b>MC01-K/f</b>	Motor Connector K (f)	0150-3345
<b>K05-04/05</b>	Motor Cable per m	0150-1920
<b>KS05-04/05</b>	Trailing Chain Cable per m	0150-1938
<b>KR05-04/05</b>	Robot Cable per m	0150-1846
<b>KS03-09</b>	Trailing Chain Cable per m (max. 6m connection length)	0150-2182
<b>KR03-09</b>	Robot Cable per m	0150-2801

**SLIDER MOUNTING**



Item	Description	Item-No.
<b>PLF01-12</b>	Fixed End Washer Set for 12 mm sliders	0150-3085
<b>PLF01-12-Ni</b>	Fixed Bearing Set for 12 mm sliders, nickel-plated	0150-3573
<b>PLL02-12</b>	Floating Bearing Set for PL01-12 sliders	0150-3111

FIND MORE PRODUCT DETAILS IN THE CHAPTER "ACCESSORIES".

**EXTERNAL POSITION SENSORS**



Item	Description	Item-No.
<b>MS01-1/D</b>	Linear Encoder 1µm, A/B (for 1mm incremental strip)	0150-1840
<b>MB01-1000</b>	Magnetic incremental strip for MS01-1/D, per cm	0150-1963
<b>KS025-D/D-Encoder</b>	Encoder Cable (Length in m)	0150-3166
<b>KS025-D/D15-Encoder</b>	Encoder Cable (Length in m)	0150-3168

FIND MORE PRODUCT DETAILS IN THE CHAPTER "ACCESSORIES".



Item	Description	Item-No.
<b>MS01-1/D-SSI</b>	Linear Encoder 1µm, A/B (for 1mm absolute strip)	0150-2095
<b>MB01-1000-ABS</b>	Magnetic absolute strip for MS01-1/D-SSI (per cm)	0150-2096
<b>EC01-ABS/ENC-12-S</b>	MS01-1/D-SSI Encoder connector straight	0150-3616
<b>KSS01-12-D15/ABS-ENC</b>	Special cable for MS01-1/D-SSI on C1100/C1200/C1400/E1200/E1400 Drives	0150-3652

FIND MORE PRODUCT DETAILS IN THE CHAPTER "ACCESSORIES".

# LINEAR MOTORS P01-23x160



- ✓ Highly dynamic drives
- ✓ Wide stroke range
- ✓ Available with cable outlet or with rotatable connector
- ✓ Optional with air cooling
- ✓ Wide range of applications in handling modules as well as in plant and machine construction

## LINEAR MOTORS P01-23x160

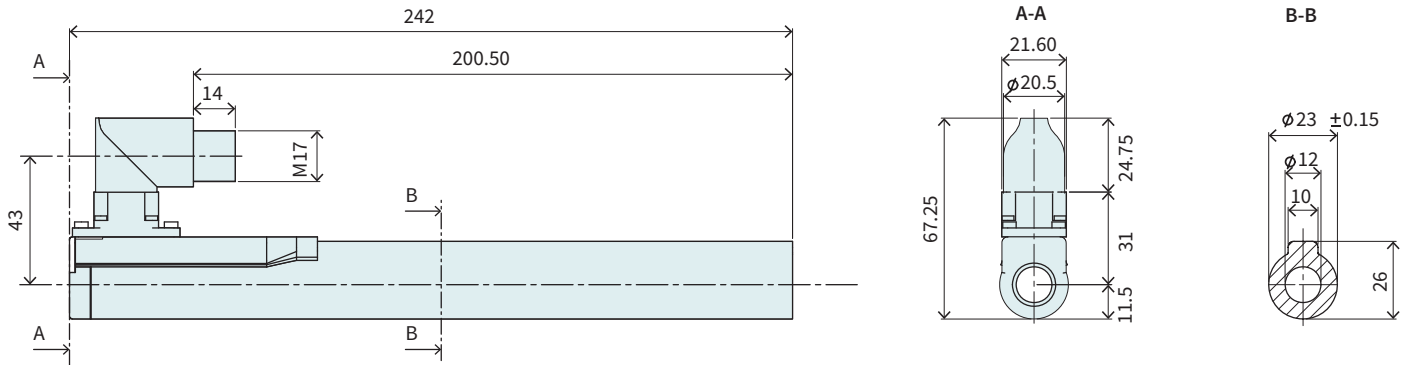
<b>Technical Data</b>	<b>115</b>
<b>Motor Specifications</b>	
P01-23x160/40x100-LC	<b>118</b>
P01-23x160/20x120-LC	<b>119</b>
P01-23x160/20x160-LC	<b>120</b>
P01-23x160/80x220-LC	<b>121</b>
P01-23x160/140x280-LC	<b>122</b>
P01-23x160/210x350-LC	<b>123</b>
P01-23x160/270x410-LC	<b>124</b>
P01-23x160/370x510-LC	<b>125</b>
P01-23x160/550x690-LC	<b>126</b>
P01-23x160/640x780-LC	<b>127</b>
<b>Linear Guides</b>	<b>128</b>
<b>Accessories</b>	<b>129</b>



### MOTOR FAMILY P01-23x160

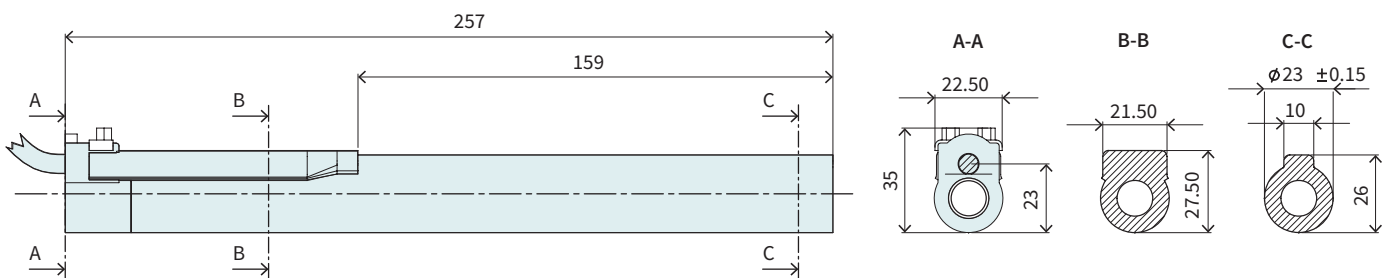
Technical Data				
<b>Stroke</b>				
Standard Stroke (SS)	mm	(in)	≤ 640	(≤ 25.19)
Extended Stroke (ES)	mm	(in)	≤ 780	(≤ 30.69)
<b>Force</b>				
Max. Force @ 48VDC	N	(lbf)	41.6	(9.35)
Max. Force @ 72VDC	N	(lbf)	62.4	(14)
Max. Cont. Force [Passive cooling / Fan / Fluid]	N	(lbf)	16 / 30 / -	(3.6 / 6.8 / -)
Max. Border Force relative	%		≤ 75	
Force Constant	N/A <sub>pk</sub>	(lbf/A <sub>pk</sub> )	22	(4.95)
<b>Velocity</b>				
Max. Velocity @ 48VDC	m/s	(in/s)	2.7	(109.9)
Max. Velocity @ 72VDC	m/s	(in/s)	3.9	(159.9)
<b>Position Detection</b>				
Position Resolution	mm	(in)	0.002	(0.0001)
Repeatability	mm	(in)	±0.05	(±0.002)
Position Resolution with ES	mm	(in)	0.001	(0.00004)
Repeatability with ES	mm	(in)	±0.01	(±0.0004)
Linearity with ES	mm	(in)	±0.01	(±0.0004)
<b>Electrical Data</b>				
Max. Current @ 48VDC	A <sub>pk</sub>		1.8	
Max. Current @ 72VDC	A <sub>pk</sub>		2.8	
Max. Cont. Current [Passive cooling / Fan / Fluid]	A <sub>pk</sub>		0.73 / 1.4 / -	
Terminal Resistance 25 °C / 120 °C	Ohm		21 / 28	
Terminal Inductivity	mH		2.7	
Magnetic Period	mm	(in)	20	(0.78)
<b>Thermal Data</b>				
Max. Winding Temperature (Sensor)	°C		90	
Thermal Resistance [Passive cooling / Fan / Fluid]	°K/W		3.6 / 1 / -	
Thermal Time Constant [Passive cooling / Fan / Fluid]	s		720 / 200 / -	
<b>Mechanical Data</b>				
Stator Diameter	mm	(in)	23	(0.91)
Stator Length [Connector type / Cable type]	mm	(in)	242 / 257	(9.5 / 10)
Stator Mass	g	(lb)	450	(0.99)
Slider Diameter	mm	(in)	12	(0.47)
Slider Length	mm	(in)	170 - 850	(6.7 - 33)
Slider Mass	g	(lb)	130 - 700	(0.28 - 1.5)
IP Code			IP 65	

**STATOR CONNECTOR TYPE**



Item	Description	Item-No.
<b>PS01-23x160-R</b>	Stator with IP67 Connector M17/9(m)	0150-1234

**STATOR CABLE TYPE**

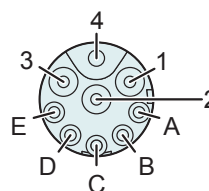


Item	Description	Item-No.
<b>PS01-23x160-R20</b>	Stator, 0.2 m cable, IP67 con. M17/9(m)	0150-1242
<b>PS01-23x160</b>	Stator, cable 1m, Connector D-Sub-9(m)	0150-1202

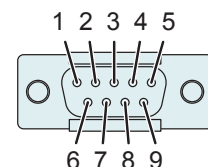
**CONNECTOR**

Motor Connector Wiring	PS01-23x160-R PS01-23x160-R20	PS01-23x160	Wire color motor cable
	R-Connector	D-Connector	
Ph 1+	1	1	red
Ph 1-	2	6	pink
Ph 2+	3	2	blue
Ph 2-	4	7	grey
+5VDC	A	3	white
GND	B	8	inner shield
Sin	C	4	yellow
Cos	D	9	green
Temp.	E	5	black
Shield	Housing	Housing	outer Shield

**R-Connector**



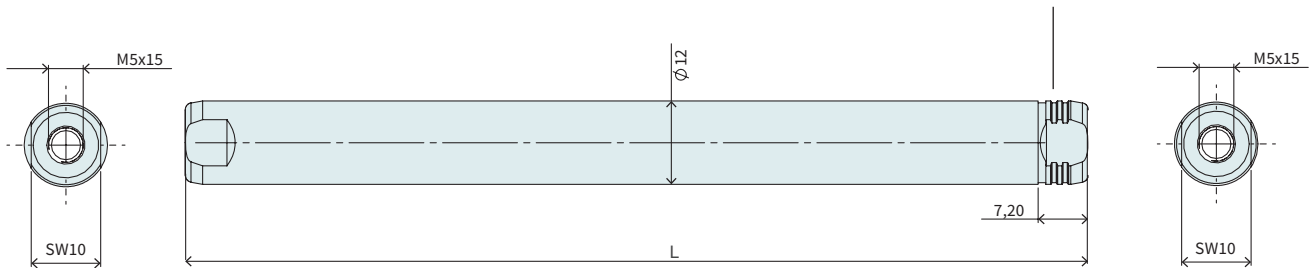
**D-Connector**



View: Motor Connector, plug side

**SLIDER**

Number of grooves determines the slider type (see chapter 2 / slider) and marks the front end.

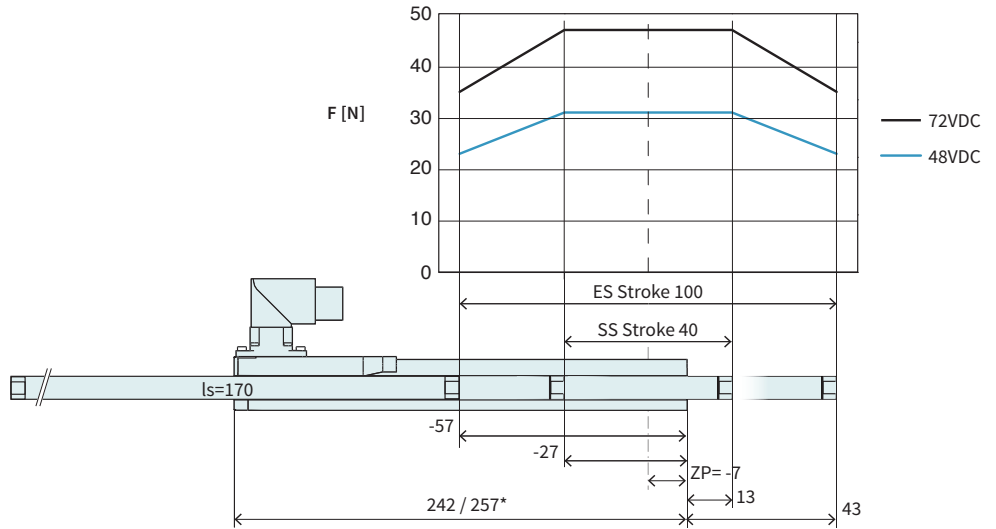


Slider Standard				
Item	Description	Max. Stroke [mm]	Standard Stroke [mm]	Item-No.
PL01-12x170/130-LC	Slider 'standard LC'	100	40	0150-2581
PL01-12x190/150-LC	Slider 'standard LC'	120	60	0150-2582
PL01-12x230/190-LC	Slider 'standard LC'	160	100	0150-2598
PL01-12x290/250-LC	Slider 'standard LC'	220	160	0150-2583
PL01-12x350/310-LC	Slider 'standard LC'	280	220	0150-2584
PL01-12x420/380-LC	Slider 'standard LC'	350	290	0150-2585
PL01-12x480/440-LC	Slider 'standard LC'	410	350	0150-2586
PL01-12x580/540-LC	Slider 'standard LC'	510	450	0150-2587
PL01-12x760/720-LC	Slider 'standard LC'	690	630	0150-2589
PL01-12x850/810-LC	Slider 'standard LC'	780	720	0150-2588

Slider Heavy Duty				
Item	Description	Max. Stroke [mm]	Standard Stroke [mm]	Item-No.
PL02-12x170/130-LC	Slider 'heavy duty LC'	100	40	0150-2591
PL02-12x190/150-LC	Slider 'heavy duty LC'	120	60	0150-2592
PL02-12x230/190-LC	Slider 'heavy duty LC'	160	100	0150-2599
PL02-12x290/250-LC	Slider 'heavy duty LC'	220	160	0150-2593
PL02-12x350/310-LC	Slider 'heavy duty LC'	280	220	0150-2594
PL02-12x420/380-LC	Slider 'heavy duty LC'	350	290	0150-2595
PL02-12x480/440-LC	Slider 'heavy duty LC'	410	350	0150-2597
PL02-12x580/540-LC	Slider 'heavy duty LC'	510	450	0150-2596
PL02-12x760/720-LC	Slider 'heavy duty LC'	690	630	on request
PL02-12x850/810-LC	Slider 'heavy duty LC'	780	720	on request

**P01-23x160/40x100-LC**

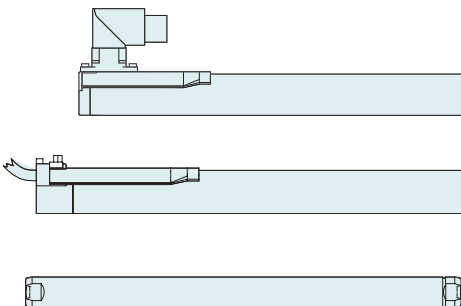
**Max. Stroke:** 100 mm  
**Peak Force:** 47 N



Dimensions in mm  
 \*Cable Type

Technical Data P01-23x160/40x100-LC

Stroke			
Standard Stroke (SS)	mm (in)	40	(1.57)
Extended Stroke (ES)	mm (in)	100	(3.93)
Force			
Max. Force @ 48VDC	N (lbf)	31.2	(7.01)
Max. Force @ 72VDC	N (lbf)	46.8	(10.5)
Max. Cont. Force [Passive cooling / Fan / Fluid]	N (lbf)	12 / 23 / -	(2.7 / 5.1 / -)
Max. Border Force relative	%	75	
Force Constant	N/A <sub>pk</sub> (lbf/A <sub>pk</sub> )	16.5	(3.71)
Velocity			
Max. Velocity @ 48VDC	m/s (in/s)	2.7	(109.9)
Max. Velocity @ 72VDC	m/s (in/s)	3.9	(159.9)
Position Detection			
Repeatability	mm (in)	±0.05	(±0.002)
Linearity	%	± 0.35	
Electrical Data			
Max. Current @ 48VDC	A <sub>pk</sub>	1.8	
Max. Current @ 72VDC	A <sub>pk</sub>	2.8	
Max. Cont. Current [Passive cooling / Fan / Fluid]	A <sub>pk</sub>	0.73 / 1.4 / -	
Thermal Data			
Max. Winding Temperature (Sensor)	°C	90	
Thermal Resistance [Passive cooling / Fan / Fluid]	°K/W	3.6 / 1 / -	
Thermal Time Constant [Passive cooling / Fan / Fluid]	s	720 / 200 / -	
Mechanical Data			
Slider Length	mm (in)	170	(6.7)
Slider Mass	g (lb)	130	(0.29)

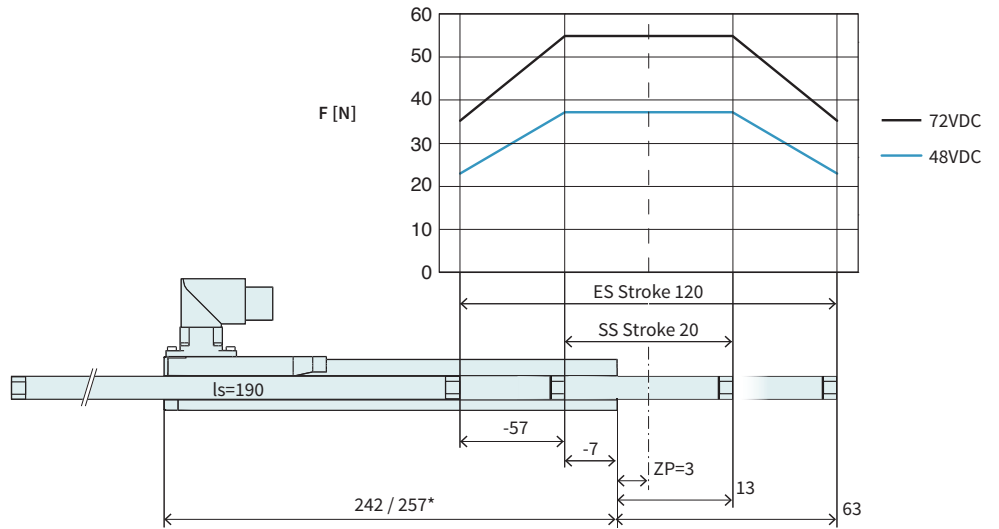


Item	Description	Item-No.
<b>PS01-23x160-R</b>	Stator with IP67 Connector M17/9(m)	0150-1234
<b>PS01-23x160-R20</b>	Stator, 0.2 m cable, IP67 con. M17/9(m)	0150-1242
<b>PS01-23x160</b>	Stator, cable 1m, Connector D-Sub-9(m)	0150-1202
<b>PL01-12x170/130-LC</b>	Slider 'standard LC'	0150-2581
<b>PL02-12x170/130-LC</b>	Slider 'heavy duty LC'	0150-2591



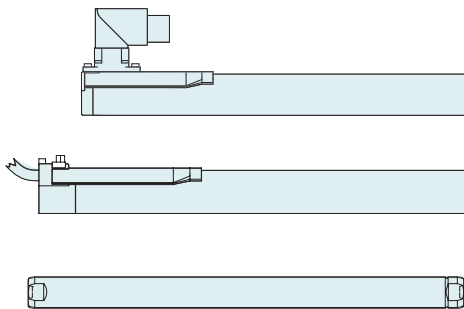
**P01-23x160/20x120-LC**

**Max. Stroke:** 120 mm  
**Peak Force:** 55 N



Dimensions in mm  
 \*Cable Type

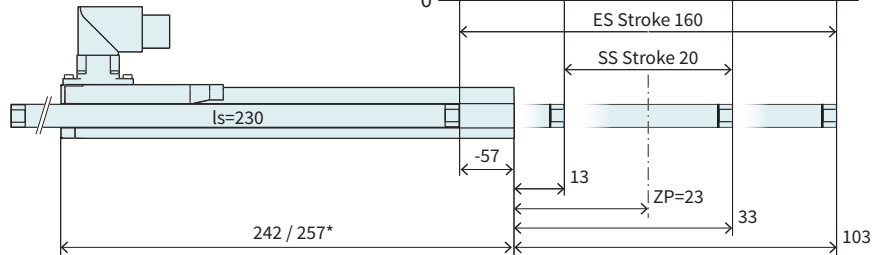
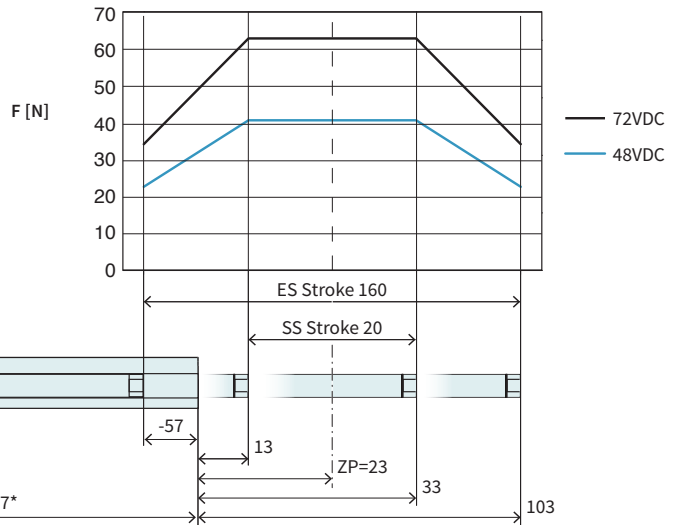
Technical Data P01-23x160/20x120-LC				
<b>Stroke</b>				
Standard Stroke (SS)	mm	(in)	20	(0.78)
Extended Stroke (ES)	mm	(in)	120	(4.71)
<b>Force</b>				
Max. Force @ 48VDC	N	(lbf)	36.4	(8.18)
Max. Force @ 72VDC	N	(lbf)	54.6	(12.3)
Max. Cont. Force [Passive cooling / Fan / Fluid]	N	(lbf)	14 / 27 / -	(3.2 / 6 / -)
Max. Border Force relative	%		64	
Force Constant	N/A <sub>pk</sub>	(lbf/A <sub>pk</sub> )	19.3	(4.33)
<b>Velocity</b>				
Max. Velocity @ 48VDC	m/s	(in/s)	2.2	(89.9)
Max. Velocity @ 72VDC	m/s	(in/s)	3.3	(139.9)
<b>Position Detection</b>				
Repeatability	mm	(in)	±0.05	(±0.002)
Linearity	%		± 0.3	
<b>Electrical Data</b>				
Max. Current @ 48VDC	A <sub>pk</sub>		1.8	
Max. Current @ 72VDC	A <sub>pk</sub>		2.8	
Max. Cont. Current [Passive cooling / Fan / Fluid]	A <sub>pk</sub>		0.73 / 1.4 / -	
<b>Thermal Data</b>				
Max. Winding Temperature (Sensor)	°C		90	
Thermal Resistance [Passive cooling / Fan / Fluid]	°K/W		3.6 / 1 / -	
Thermal Time Constant [Passive cooling / Fan / Fluid]	s		720 / 200 / -	
<b>Mechanical Data</b>				
Slider Length	mm	(in)	190	(7.5)
Slider Mass	g	(lb)	145	(0.32)



Item	Description	Item-No.
<b>PS01-23x160-R</b>	Stator with IP67 Connector M17/9(m)	0150-1234
<b>PS01-23x160-R20</b>	Stator, 0.2 m cable, IP67 con. M17/9(m)	0150-1242
<b>PS01-23x160</b>	Stator, cable 1m, Connector D-Sub-9(m)	0150-1202
<b>PL01-12x190/150-LC</b>	Slider 'standard LC'	0150-2582
<b>PL02-12x190/150-LC</b>	Slider 'heavy duty LC'	0150-2592

**P01-23x160/20x160-LC**

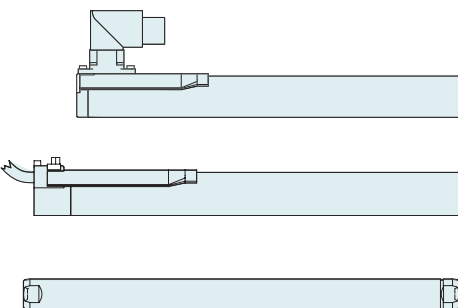
**Max. Stroke:** 160 mm  
**Peak Force:** 62 N



Dimensions in mm  
 \*Cable Type

Technical Data P01-23x160/20x160-LC

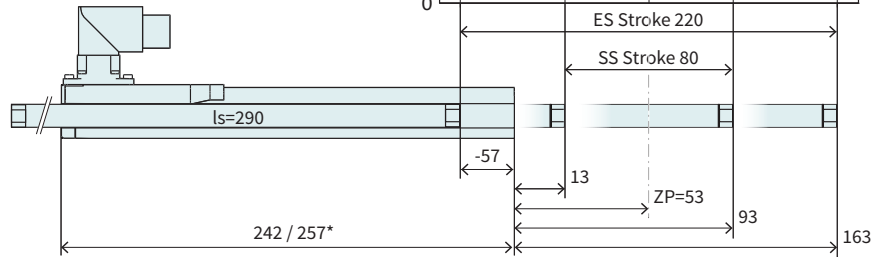
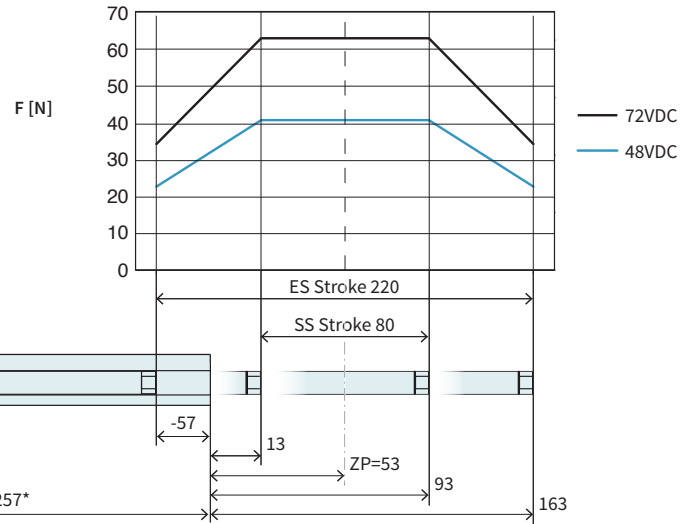
Stroke			
Standard Stroke (SS)	mm (in)	20	(0.78)
Extended Stroke (ES)	mm (in)	160	(6.29)
Force			
Max. Force @ 48VDC	N (lbf)	41.6	(9.35)
Max. Force @ 72VDC	N (lbf)	62.4	(14)
Max. Cont. Force [Passive cooling / Fan / Fluid]	N (lbf)	16 / 30 / -	(3.6 / 6.8 / -)
Max. Border Force relative	%	56	
Force Constant	N/A <sub>pk</sub> (lbf/A <sub>pk</sub> )	22	(4.95)
Velocity			
Max. Velocity @ 48VDC	m/s (in/s)	1.9	(78.9)
Max. Velocity @ 72VDC	m/s (in/s)	2.9	(119.9)
Position Detection			
Repeatability	mm (in)	±0.05	(±0.002)
Linearity	%	± 0.25	
Electrical Data			
Max. Current @ 48VDC	A <sub>pk</sub>	1.8	
Max. Current @ 72VDC	A <sub>pk</sub>	2.8	
Max. Cont. Current [Passive cooling / Fan / Fluid]	A <sub>pk</sub>	0.73 / 1.4 / -	
Thermal Data			
Max. Winding Temperature (Sensor)	°C	90	
Thermal Resistance [Passive cooling / Fan / Fluid]	°K/W	3.6 / 1 / -	
Thermal Time Constant [Passive cooling / Fan / Fluid]	s	720 / 200 / -	
Mechanical Data			
Slider Length	mm (in)	230	(9.1)
Slider Mass	g (lb)	180	(0.4)



Item	Description	Item-No.
<b>PS01-23x160-R</b>	Stator with IP67 Connector M17/9(m)	0150-1234
<b>PS01-23x160-R20</b>	Stator, 0.2 m cable, IP67 con. M17/9(m)	0150-1242
<b>PS01-23x160</b>	Stator, cable 1m, Connector D-Sub-9(m)	0150-1202
<b>PL01-12x230/190-LC</b>	Slider 'standard LC'	0150-2598
<b>PL02-12x230/190-LC</b>	Slider 'heavy duty LC'	0150-2599

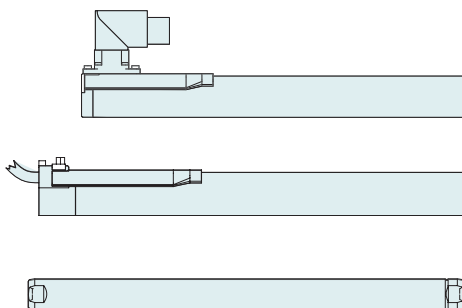
**P01-23x160/80x220-LC**

**Max. Stroke:** 220 mm  
**Peak Force:** 62 N



Dimensions in mm  
 \*Cable Type

Technical Data P01-23x160/80x220-LC			
<b>Stroke</b>			
Standard Stroke (SS)	mm (in)	80	(3.14)
Extended Stroke (ES)	mm (in)	220	(8.65)
<b>Force</b>			
Max. Force @ 48VDC	N (lbf)	41.6	(9.35)
Max. Force @ 72VDC	N (lbf)	62.4	(14)
Max. Cont. Force [Passive cooling / Fan / Fluid]	N (lbf)	16 / 30 / -	(3.6 / 6.8 / -)
Max. Border Force relative	%	56	
Force Constant	N/A <sub>pk</sub> (lbf/A <sub>pk</sub> )	22	(4.95)
<b>Velocity</b>			
Max. Velocity @ 48VDC	m/s (in/s)	1.9	(78.9)
Max. Velocity @ 72VDC	m/s (in/s)	2.9	(119.9)
<b>Position Detection</b>			
Repeatability	mm (in)	±0.05	(±0.002)
Linearity	%	± 0.2	
<b>Electrical Data</b>			
Max. Current @ 48VDC	A <sub>pk</sub>	1.8	
Max. Current @ 72VDC	A <sub>pk</sub>	2.8	
Max. Cont. Current [Passive cooling / Fan / Fluid]	A <sub>pk</sub>	0.73 / 1.4 / -	
<b>Thermal Data</b>			
Max. Winding Temperature (Sensor)	°C	90	
Thermal Resistance [Passive cooling / Fan / Fluid]	*K/W	3.6 / 1 / -	
Thermal Time Constant [Passive cooling / Fan / Fluid]	s	720 / 200 / -	
<b>Mechanical Data</b>			
Slider Length	mm (in)	290	(11)
Slider Mass	g (lb)	230	(0.51)

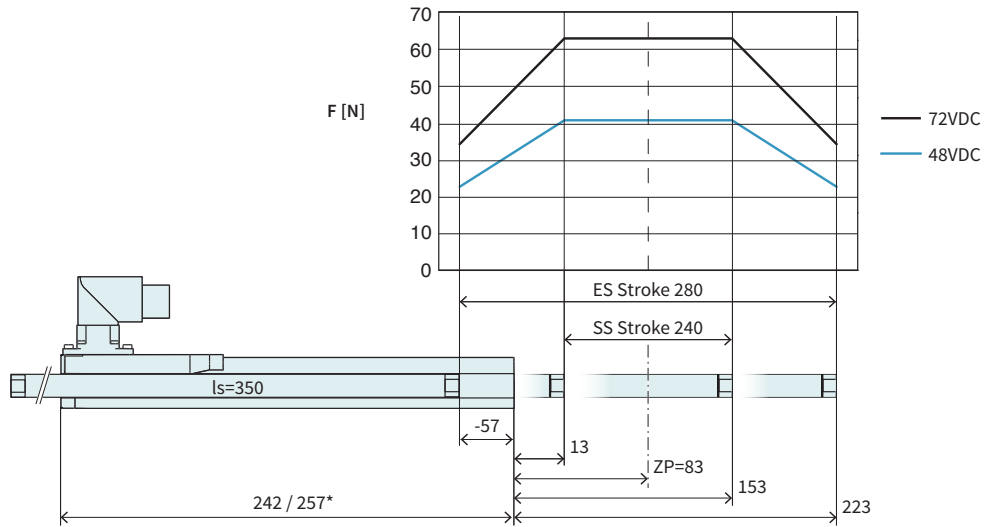


Item	Description	Item-No.
<b>PS01-23x160-R</b>	Stator with IP67 Connector M17/9(m)	0150-1234
<b>PS01-23x160-R20</b>	Stator, 0.2 m cable, IP67 con. M17/9(m)	0150-1242
<b>PS01-23x160</b>	Stator, cable 1m, Connector D-Sub-9(m)	0150-1202
<b>PL01-12x290/250-LC</b>	Slider 'standard LC'	0150-2583
<b>PL02-12x290/250-LC</b>	Slider 'heavy duty LC'	0150-2593

**P01-23x160/140x280-LC**

3

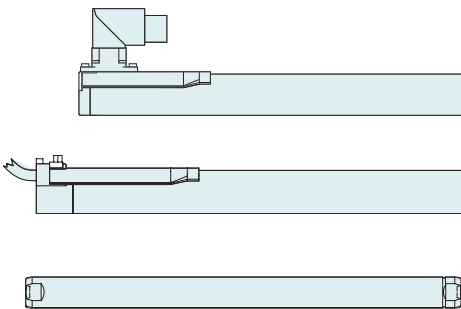
**Max. Stroke:** 280 mm  
**Peak Force:** 62 N



Dimensions in mm  
 \*Cable Type

Technical Data P01-23x160/140x280-LC

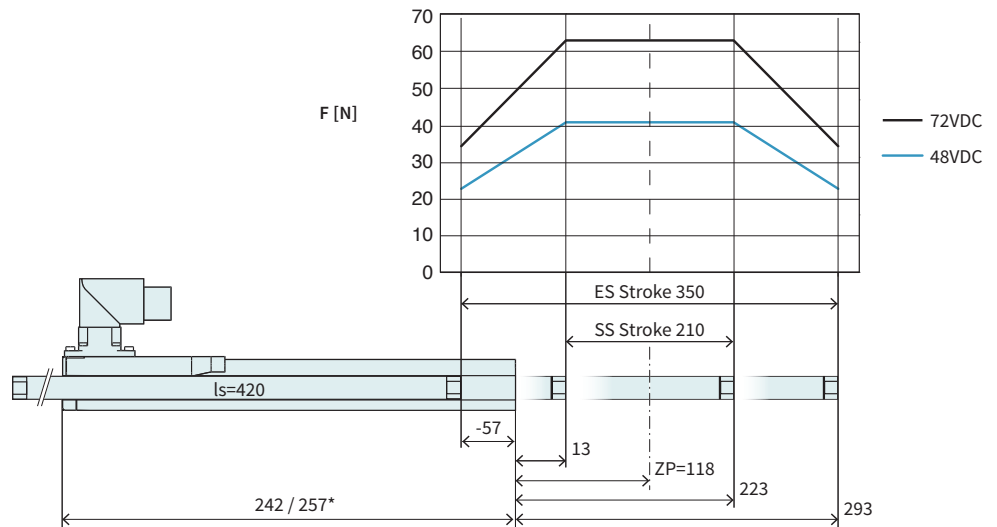
Stroke			
Standard Stroke (SS)	mm (in)	140	(5.5)
Extended Stroke (ES)	mm (in)	280	(10.99)
Force			
Max. Force @ 48VDC	N (lbf)	41.6	(9.35)
Max. Force @ 72VDC	N (lbf)	62.4	(14)
Max. Cont. Force [Passive cooling / Fan / Fluid]	N (lbf)	16 / 30 / -	(3.6 / 6.8 / -)
Max. Border Force relative	%	56	
Force Constant	N/A <sub>pk</sub> (lbf/A <sub>pk</sub> )	22	(4.95)
Velocity			
Max. Velocity @ 48VDC	m/s (in/s)	1.9	(78.9)
Max. Velocity @ 72VDC	m/s (in/s)	2.9	(119.9)
Position Detection			
Repeatability	mm (in)	±0.05	(±0.002)
Linearity	%	± 0.2	
Electrical Data			
Max. Current @ 48VDC	A <sub>pk</sub>	1.8	
Max. Current @ 72VDC	A <sub>pk</sub>	2.8	
Max. Cont. Current [Passive cooling / Fan / Fluid]	A <sub>pk</sub>	0.73 / 1.4 / -	
Thermal Data			
Max. Winding Temperature (Sensor)	°C	90	
Thermal Resistance [Passive cooling / Fan / Fluid]	°K/W	3.6 / 1 / -	
Thermal Time Constant [Passive cooling / Fan / Fluid]	s	720 / 200 / -	
Mechanical Data			
Slider Length	mm (in)	350	(14)
Slider Mass	g (lb)	280	(0.62)



Item	Description	Item-No.
<b>PS01-23x160-R</b>	Stator with IP67 Connector M17/9(m)	0150-1234
<b>PS01-23x160-R20</b>	Stator, 0.2 m cable, IP67 con. M17/9(m)	0150-1242
<b>PS01-23x160</b>	Stator, cable 1m, Connector D-Sub-9(m)	0150-1202
<b>PL01-12x350/310-LC</b>	Slider 'standard LC'	0150-2584
<b>PL02-12x350/310-LC</b>	Slider 'heavy duty LC'	0150-2594

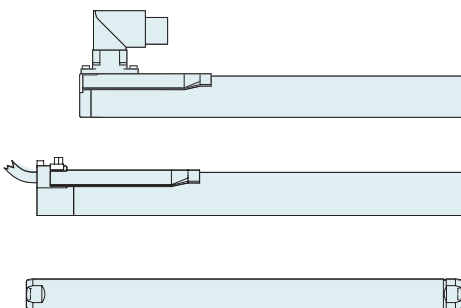
**P01-23x160/210x350-LC**

**Max. Stroke:** 350 mm  
**Peak Force:** 62 N



Dimensions in mm  
 \*Cable Type

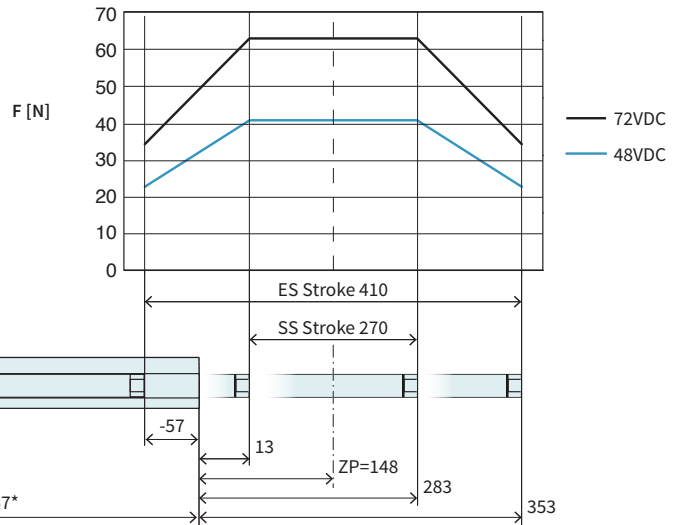
Technical Data P01-23x160/210x350-LC				
<b>Stroke</b>				
Standard Stroke (SS)	mm (in)		210	(8.26)
Extended Stroke (ES)	mm (in)		350	(13.8)
<b>Force</b>				
Max. Force @ 48VDC	N (lbf)		41.6	(9.35)
Max. Force @ 72VDC	N (lbf)		62.4	(14)
Max. Cont. Force [Passive cooling / Fan / Fluid]	N (lbf)		16 / 30 / -	(3.6 / 6.8 / -)
Max. Border Force relative	%		56	
Force Constant	N/A <sub>pk</sub> (lbf/A <sub>pk</sub> )		22	(4.95)
<b>Velocity</b>				
Max. Velocity @ 48VDC	m/s (in/s)		1.9	(78.9)
Max. Velocity @ 72VDC	m/s (in/s)		2.9	(119.9)
<b>Position Detection</b>				
Repeatability	mm (in)		±0.05	(±0.002)
Linearity	%		± 0.15	
<b>Electrical Data</b>				
Max. Current @ 48VDC	A <sub>pk</sub>		1.8	
Max. Current @ 72VDC	A <sub>pk</sub>		2.8	
Max. Cont. Current [Passive cooling / Fan / Fluid]	A <sub>pk</sub>		0.73 / 1.4 / -	
<b>Thermal Data</b>				
Max. Winding Temperature (Sensor)	°C		90	
Thermal Resistance [Passive cooling / Fan / Fluid]	°K/W		3.6 / 1 / -	
Thermal Time Constant [Passive cooling / Fan / Fluid]	s		720 / 200 / -	
<b>Mechanical Data</b>				
Slider Length	mm (in)		420	(17)
Slider Mass	g (lb)		340	(0.75)



Item	Description	Item-No.
<b>PS01-23x160-R</b>	Stator with IP67 Connector M17/9(m)	0150-1234
<b>PS01-23x160-R20</b>	Stator, 0.2 m cable, IP67 con. M17/9(m)	0150-1242
<b>PS01-23x160</b>	Stator, cable 1m, Connector D-Sub-9(m)	0150-1202
<b>PL01-12x420/380-LC</b>	Slider 'standard LC'	0150-2585
<b>PL02-12x420/380-LC</b>	Slider 'heavy duty LC'	0150-2595

**P01-23x160/270x410-LC**

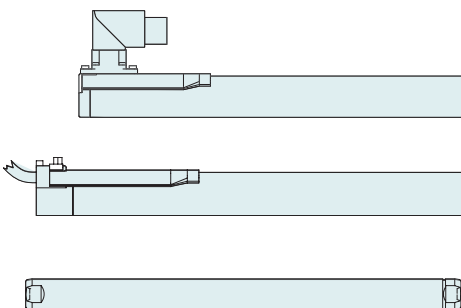
**Max. Stroke:** 410 mm  
**Peak Force:** 62 N



Dimensions in mm  
 \*Cable Type

Technical Data P01-23x160/270x410-LC

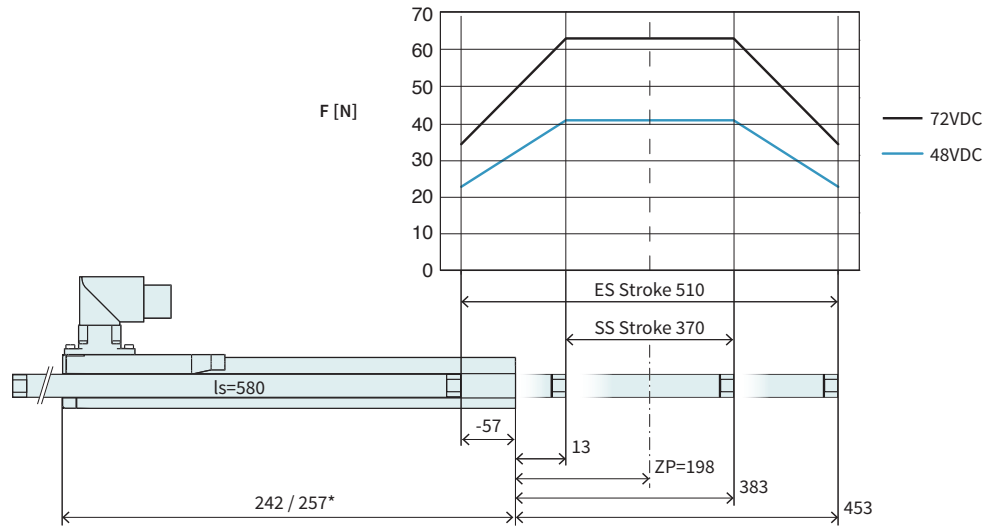
Stroke			
Standard Stroke (SS)	mm (in)	270	(10.59)
Extended Stroke (ES)	mm (in)	410	(16.1)
Force			
Max. Force @ 48VDC	N (lbf)	41.6	(9.35)
Max. Force @ 72VDC	N (lbf)	62.4	(14)
Max. Cont. Force [Passive cooling / Fan / Fluid]	N (lbf)	16 / 30 / -	(3.6 / 6.8 / -)
Max. Border Force relative	%	56	
Force Constant	N/A <sub>pk</sub> (lbf/A <sub>pk</sub> )	22	(4.95)
Velocity			
Max. Velocity @ 48VDC	m/s (in/s)	1.9	(78.9)
Max. Velocity @ 72VDC	m/s (in/s)	2.9	(119.9)
Position Detection			
Repeatability	mm (in)	±0.05	(±0.002)
Linearity	%	± 0.15	
Electrical Data			
Max. Current @ 48VDC	A <sub>pk</sub>	1.8	
Max. Current @ 72VDC	A <sub>pk</sub>	2.8	
Max. Cont. Current [Passive cooling / Fan / Fluid]	A <sub>pk</sub>	0.73 / 1.4 / -	
Thermal Data			
Max. Winding Temperature (Sensor)	°C	90	
Thermal Resistance [Passive cooling / Fan / Fluid]	°K/W	3.6 / 1 / -	
Thermal Time Constant [Passive cooling / Fan / Fluid]	s	720 / 200 / -	
Mechanical Data			
Slider Length	mm (in)	480	(19)
Slider Mass	g (lb)	390	(0.86)



Item	Description	Item-No.
<b>PS01-23x160-R</b>	Stator with IP67 Connector M17/9(m)	0150-1234
<b>PS01-23x160-R20</b>	Stator, 0.2 m cable, IP67 con. M17/9(m)	0150-1242
<b>PS01-23x160</b>	Stator, cable 1m, Connector D-Sub-9(m)	0150-1202
<b>PL01-12x480/440-LC</b>	Slider 'standard LC'	0150-2586
<b>PL02-12x480/440-LC</b>	Slider 'heavy duty LC'	0150-2597

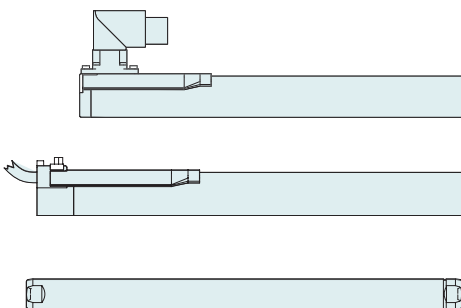
**P01-23x160/370x510-LC**

**Max. Stroke:** 510 mm  
**Peak Force:** 62 N



Dimensions in mm  
 \*Cable Type

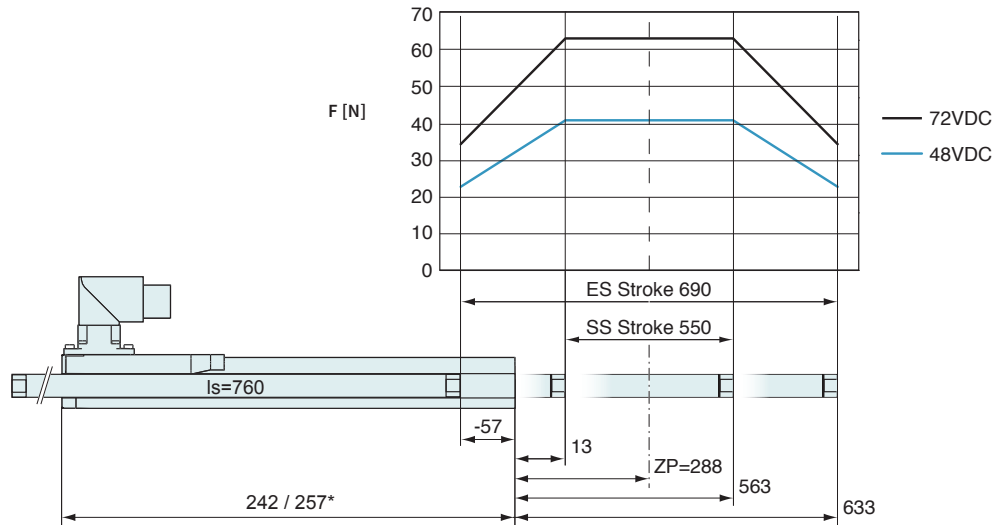
Technical Data P01-23x160/370x510-LC			
<b>Stroke</b>			
Standard Stroke (SS)	mm (in)		370 (14.59)
Extended Stroke (ES)	mm (in)		510 (20.1)
<b>Force</b>			
Max. Force @ 48VDC	N (lbf)		41.6 (9.35)
Max. Force @ 72VDC	N (lbf)		62.4 (14)
Max. Cont. Force [Passive cooling / Fan / Fluid]	N (lbf)		16 / 30 / - (3.6 / 6.8 / -)
Max. Border Force relative	%		56
Force Constant	N/A <sub>pk</sub> (lbf/A <sub>pk</sub> )		22 (4.95)
<b>Velocity</b>			
Max. Velocity @ 48VDC	m/s (in/s)		1.9 (78.9)
Max. Velocity @ 72VDC	m/s (in/s)		2.9 (119.9)
<b>Position Detection</b>			
Repeatability	mm (in)		±0.05 (±0.002)
Linearity	%		± 0.15
<b>Electrical Data</b>			
Max. Current @ 48VDC	A <sub>pk</sub>		1.8
Max. Current @ 72VDC	A <sub>pk</sub>		2.8
Max. Cont. Current [Passive cooling / Fan / Fluid]	A <sub>pk</sub>		0.73 / 1.4 / -
<b>Thermal Data</b>			
Max. Winding Temperature (Sensor)	°C		90
Thermal Resistance [Passive cooling / Fan / Fluid]	*K/W		3.6 / 1 / -
Thermal Time Constant [Passive cooling / Fan / Fluid]	s		720 / 200 / -
<b>Mechanical Data</b>			
Slider Length	mm (in)		580 (23)
Slider Mass	g (lb)		480 (1.06)



Item	Description	Item-No.
<b>PS01-23x160-R</b>	Stator with IP67 Connector M17/9(m)	0150-1234
<b>PS01-23x160-R20</b>	Stator, 0,2 m cable, IP67 con. M17/9(m)	0150-1242
<b>PS01-23x160</b>	Stator, cable 1m, Connector D-Sub-9(m)	0150-1202
<b>PL01-12x580/540-LC</b>	Slider 'standard LC'	0150-2587
<b>PL02-12x580/540-LC</b>	Slider 'heavy duty LC'	0150-2596

**P01-23x160/550x690-LC**

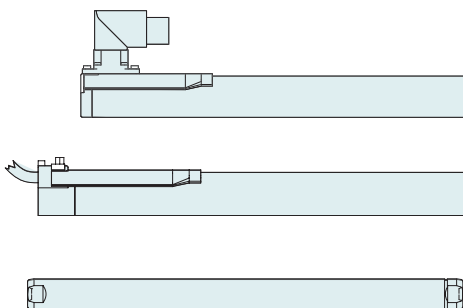
**Max. Stroke:** 690 mm  
**Peak Force:** 62 N



Dimensions in mm  
 \*Cable Type

Technical Data P01-23x160/550x690-LC

Stroke			
Standard Stroke (SS)	mm (in)		550 (21.69)
Extended Stroke (ES)	mm (in)		690 (27.19)
Force			
Max. Force @ 48VDC	N (lbf)		41.6 (9.35)
Max. Force @ 72VDC	N (lbf)		62.4 (14)
Max. Cont. Force [Passive cooling / Fan / Fluid]	N (lbf)		16 / 30 / - (3.6 / 6.8 / -)
Max. Border Force relative	%		56
Force Constant	N/A <sub>pk</sub> (lbf/A <sub>pk</sub> )		22 (4.95)
Velocity			
Max. Velocity @ 48VDC	m/s (in/s)		1.9 (78.9)
Max. Velocity @ 72VDC	m/s (in/s)		2.9 (119.9)
Position Detection			
Repeatability	mm (in)		±0.05 (±0.002)
Linearity	%		± 0.15
Electrical Data			
Max. Current @ 48VDC	A <sub>pk</sub>		1.8
Max. Current @ 72VDC	A <sub>pk</sub>		2.8
Max. Cont. Current [Passive cooling / Fan / Fluid]	A <sub>pk</sub>		0.73 / 1.4 / -
Thermal Data			
Max. Winding Temperature (Sensor)	°C		90
Thermal Resistance [Passive cooling / Fan / Fluid]	°K/W		3.6 / 1 / -
Thermal Time Constant [Passive cooling / Fan / Fluid]	s		720 / 200 / -
Mechanical Data			
Slider Length	mm (in)		760 (30)
Slider Mass	g (lb)		630 (1.39)

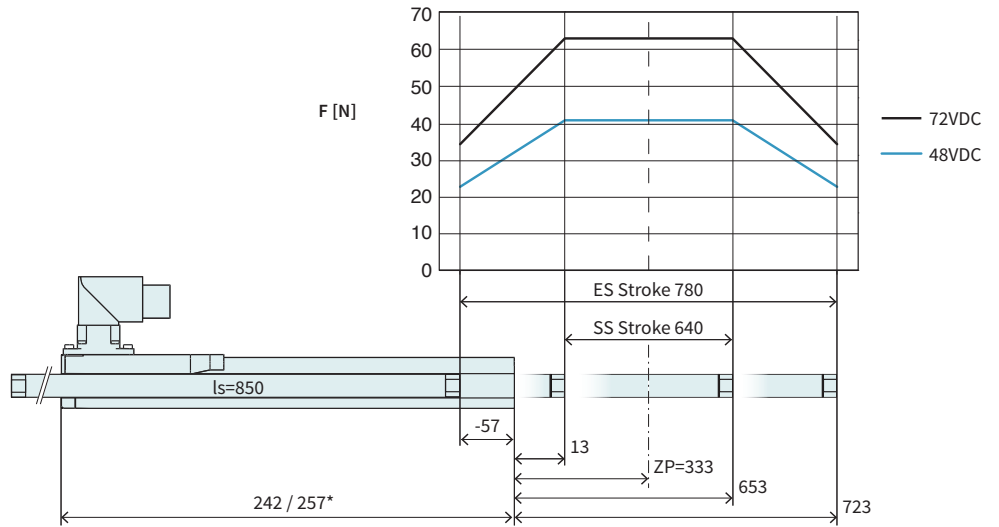


Item	Description	Item-No.
<b>PS01-23x160-R</b>	Stator with IP67 Connector M17/9(m)	0150-1234
<b>PS01-23x160-R20</b>	Stator, 0.2 m cable, IP67 con. M17/9(m)	0150-1242
<b>PS01-23x160</b>	Stator, cable 1m, Connector D-Sub-9(m)	0150-1202
<b>PL01-12x760/720-LC</b>	Slider 'standard LC'	0150-2589
<b>PL01-12x760/720-LC</b>	Slider 'heavy duty LC'	on request



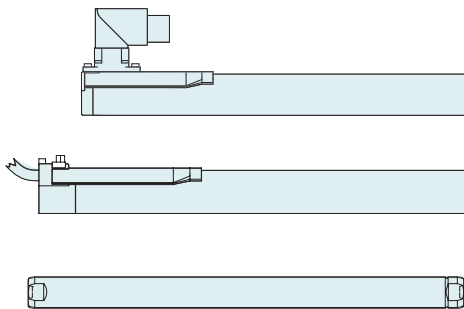
**P01-23x160/640x780-LC**

**Max. Stroke:** 780 mm  
**Peak Force:** 62 N



Dimensions in mm  
 \*Cable Type

Technical Data P01-23x160/640x780-LC			
<b>Stroke</b>			
Standard Stroke (SS)	mm (in)	640 (25.19)	
Extended Stroke (ES)	mm (in)	780 (30.69)	
<b>Force</b>			
Max. Force @ 48VDC	N (lbf)	41.6 (9.35)	
Max. Force @ 72VDC	N (lbf)	62.4 (14)	
Max. Cont. Force [Passive cooling / Fan / Fluid]	N (lbf)	16 / 30 / - (3.6 / 6.8 / -)	
Max. Border Force relative	%	56	
Force Constant	N/A <sub>pk</sub> (lbf/A <sub>pk</sub> )	22 (4.95)	
<b>Velocity</b>			
Max. Velocity @ 48VDC	m/s (in/s)	1.9 (78.9)	
Max. Velocity @ 72VDC	m/s (in/s)	2.9 (119.9)	
<b>Position Detection</b>			
Repeatability	mm (in)	±0.05 (±0.002)	
Linearity	%	±0.15	
<b>Electrical Data</b>			
Max. Current @ 48VDC	A <sub>pk</sub>	1.8	
Max. Current @ 72VDC	A <sub>pk</sub>	2.8	
Max. Cont. Current [Passive cooling / Fan / Fluid]	A <sub>pk</sub>	0.73 / 1.4 / -	
<b>Thermal Data</b>			
Max. Winding Temperature (Sensor)	°C	90	
Thermal Resistance [Passive cooling / Fan / Fluid]	*K/W	3.6 / 1 / -	
Thermal Time Constant [Passive cooling / Fan / Fluid]	s	720 / 200 / -	
<b>Mechanical Data</b>			
Slider Length	mm (in)	850 (33)	
Slider Mass	g (lb)	700 (1.54)	



Item	Description	Item-No.
<b>PS01-23x160-R</b>	Stator with IP67 Connector M17/9(m)	0150-1234
<b>PS01-23x160-R20</b>	Stator, 0,2 m cable, IP67 con. M17/9(m)	0150-1242
<b>PS01-23x160</b>	Stator, cable 1m, Connector D-Sub-9(m)	0150-1202
<b>PL01-12x850/810-LC</b>	Slider 'standard LC'	0150-2588
<b>PL02-12x850/810-LC</b>	Slider 'heavy duty LC'	on request

**Linear Guides H01**

3



**HM01-23x160/80 | Linear Module 23x160 with 80 mm Stroke**

→	H-Guide	H01-23x166/80	H-Guide for P01-23x160, Stroke max 80mm	0150-5017
		H01-23x166/80-GF	H-Guide for P01-23x160, Stroke max 80mm	0150-5077
→	Stator	PS01-23x160-R	Stator with IP67 connector M17/9(m)	0150-1234
		PS01-23x160-R20	Stator, 0.2m cable, IP67 con. M17/9(m)	0150-1242
		PS01-23x160	Stator, cable 1m, connector D-Sub-9(m)	0150-1202
→	Slider	PL01-12x290/250-LC	Slider 'standard LC'	0150-2583

**HM01-23x160/180 | Linear Module 23x160 with 180 mm Stroke**

→	H-Guide	H01-23x166/180	H-Guide for P01-23x160, Stroke max 180mm	0150-5018
		H01-23x166/180-GF	H-Guide for P01-23x160, Stroke max 180mm	0150-5078
→	Stator	PS01-23x160-R	Linearmotor Stator, Connector R - IP67	0150-1234
		PS01-23x160-R20	Linearmotor Stator, 0.2m Cable, Connector R - IP67	0150-1242
		PS01-23x160	Linearmotor Stator, 1.0m Cable, Connector D	0150-1202
→	Slider	PL01-12x420/380-LC	Slider 'standard LC'	0150-2585

**HM01-23x160/280 | Linear Module 23x160 with 280 mm Stroke**

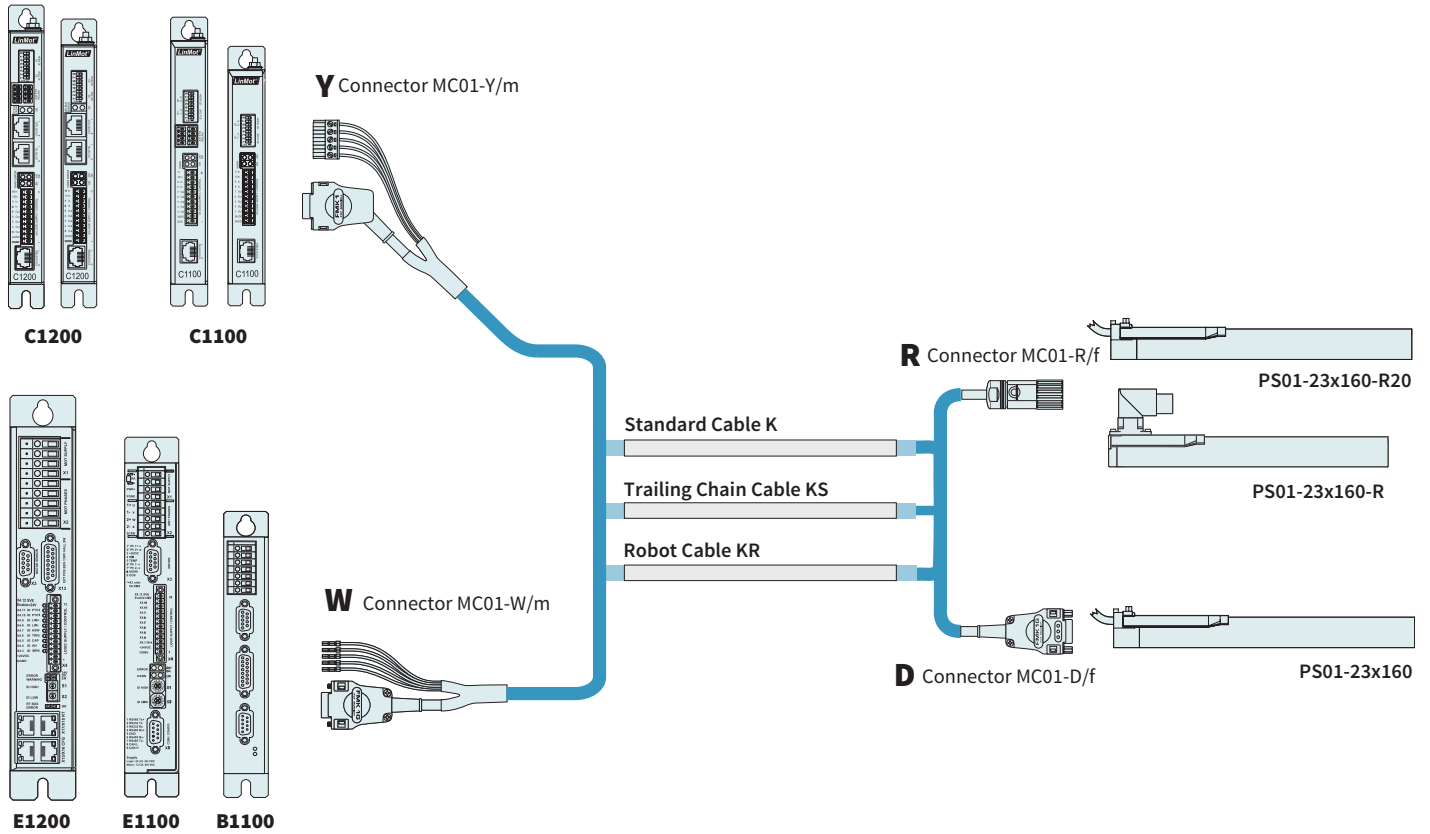
→	H-Guide	H01-23x166/280	H-Guide for P01-23x160, Stroke max 280 mm	0150-5019
		H01-23x166/280-GF	H-Guide for P01-23x160, Stroke max 280 mm	0150-5079
→	Stator	PS01-23x160-R	Linearmotor Stator, Connector R - IP67	0150-1234
		PS01-23x160-R20	Linearmotor Stator, 0.2m Cable, Connector R - IP67	0150-1242
		PS01-23x160	Linearmotor Stator, 1.0m Cable, Connector D	0150-1202
→	Slider	PL01-12x480/440-LC	Slider 'standard LC'	0150-2586

**Accessories**

→	Fan	HV01-23	Fan cooling for H01-23	0150-5050
→	MagSpring	MF01-20/H23	Flange MagSpring 20 / H-Guide 23	0250-2306
		MA01-20/H23	Flange MagSpring 20 / H-Guide 23	0250-0116
→	Centering sleeve	HC01-09/04	Centering sleeve D9x4mm	0150-3251

FIND MORE PRODUCT DETAILS IN THE CHAPTER "LINEAR GUIDES".

**Motor Cable**



**ORDERING INFORMATION**

STANDARD CABLE		
Item	Description	Item-No.
<b>K05-W/R-2</b>	Motor Cable W/R, 2 m	0150-2119
<b>K05-W/R-4</b>	Motor Cable W/R, 4 m	0150-2120
<b>K05-W/R-6</b>	Motor Cable W/R, 6 m	0150-2121
<b>K05-W/R-8</b>	Motor Cable W/R, 8 m	0150-2122
<b>K05-W/R-</b>	Motor Cable W/R, Custom length	0150-3262
<b>K05-W/D-0.4</b>	Motor Cable W/D, 0.4 m	0150-1947
<b>K05-Y/R-2</b>	Motor Cable Y/R, 2 m	0150-2421
<b>K05-Y/R-4</b>	Motor Cable Y/R, 4 m	0150-2422
<b>K05-Y/R-6</b>	Motor Cable Y/R, 6 m	0150-2423
<b>K05-Y/R-8</b>	Motor Cable Y/R, 8 m	0150-2424
<b>K05-Y-Fe/R-</b>	Motor Cable Y/R, Custom length	0150-3501
<b>K05-Y-Fe/D-</b>	Motor Cable Y-Fe/D, Custom length	0150-1947

## TRAILING CHAIN CABLE

Item	Description	Item-No.
<b>KS05-W/R-4</b>	Trailing Chain Cable W/R, 4 m	0150-2106
<b>KS05-W/R-6</b>	Trailing Chain Cable W/R, 6 m	0150-2131
<b>KS05-W/R-8</b>	Trailing Chain Cable W/R, 8 m	0150-2107
<b>KS05-W/R-</b>	Trailing Chain Cable W/R, Custom length	0150-3256
<b>KS05-Y/R-4</b>	Trailing Chain Cable Y/R, 4 m	0150-2433
<b>KS05-Y/R-6</b>	Trailing Chain Cable Y/R, 6 m	0150-2434
<b>KS05-Y/R-8</b>	Trailing Chain Cable Y/R, 8 m	0150-2435
<b>KS05-Y/R-</b>	Trailing Chain Cable Y/R, Custom length	0150-3507
<b>KS05-Y-Fe/D-</b>	Trailing Chain Cable Y-Fe/D, Custom length	0150-3556

## ROBOT CABLE

Item	Description	Item-No.
<b>KR05-W/R-</b>	Robot Cable KR05-W/R, Custom length	0150-3336
<b>KR05-Y-Fe/R-</b>	Robot Cable KR05-Y-Fe/R, Custom length	0150-3512

## CONNECTOR &amp; CABLE (INDIVIDUAL)

Item	Description	Item-No.
<b>MC01-W/m</b>	Motor Connector W/m	0150-3140
<b>MC01-Y-Fe/m</b>	Motor Connector Y-Fe/m	0150-3289
<b>MC01-R/f</b>	Motor Connector R/f	0150-3129
<b>MC01-D/f</b>	Motor Connector D/f	0150-3025
<b>K05-04/05</b>	Motor Cable per m	0150-1920
<b>KS05-04/05</b>	Trailing Chain Cable per m	0150-1938
<b>KR05-04/05</b>	Robot Cable per m	0150-1846

**MOTOR FLANGES**



Item	Description	Item-No.
<b>PF02-23x120</b>	Flange 23x120 mm	0150-2103
<b>PF02-23x170</b>	Flange 23x170 mm	0150-2117

FIND MORE PRODUCT DETAILS IN THE CHAPTER "ACCESSORIES".

**FANS**



Item	Description	Item-No.
<b>HV01-23</b>	Fan cooling for H01-23 and PF02-23	0150-5050

FIND MORE PRODUCT DETAILS IN THE CHAPTER "ACCESSORIES".

**SLIDER MOUNTING**



Item	Description	Item-No.
<b>PLF01-12</b>	Fixed Bearing Set for 12 mm sliders	0150-3085
<b>PLF01-12-Ni</b>	Fixed Bearing Set for 12 mm sliders nickel-plated	0150-3573
<b>PLL02-12</b>	Floating Bearing for PL01-12 Sliders	0150-3111

FIND MORE PRODUCT DETAILS IN THE CHAPTER "ACCESSORIES".

**WIPERS**



Item	Description	Item-No.
<b>PA01-23/12-F</b>	Wiper front side for PS01-23x...	0150-3125

FIND MORE PRODUCT DETAILS IN THE CHAPTER "ACCESSORIES".

**EXTERNAL POSITION SENSORS**



Item	Description	Item-No.
<b>MS01-1/D</b>	Linear Encoder 1µm, A/B (for incremental strip)	0150-1840
<b>MB01-1000</b>	Magnetic incremental strip for MS01-1/D, per cm	0150-1963
<b>KS025-D/D-Encoder</b>	Encoder Cable (Length in m)	0150-3166
<b>KS025-D/D15-Encoder</b>	Encoder Cable (Length in m)	0150-3168

FIND MORE PRODUCT DETAILS IN THE CHAPTER "ACCESSORIES".



Item	Description	Item-No.
<b>MS01-1/D-SSI</b>	Linear Encoder 1µm, A/B (for absolute strip)	0150-2095
<b>MB01-1000-ABS</b>	Magnetic absolute strip for MS01-1/D-SSI (per cm)	0150-2096
<b>EC01-ABS/ENC-12-S</b>	MS01-1/D-SSI Encoder connector straight	0150-3616
<b>KSS01-12-D15/ABS-ENC</b>	Special cable for MS01-1/D-SSI on C1100/C1200/C1400/E1200/E1400 Drives	0150-3652

FIND MORE PRODUCT DETAILS IN THE CHAPTER "ACCESSORIES".

# LINEAR MOTORS P01-23x160F



- ✓ Highly dynamic drives
- ✓ With a special F-winding for a higher maximum speed
- ✓ Wide stroke range
- ✓ Available with cable outlet or with rotatable connector
- ✓ Optional with air cooling
- ✓ Wide range of applications in handling modules as well as in plant and machine construction

## LINEAR MOTORS P01-23x160F

<b>Technical Data</b>	<b>135</b>
<b>Motor Specifications</b>	
P01-23x160F/40x100-LC	<b>138</b>
P01-23x160F/20x120-LC	<b>139</b>
P01-23x160F/20x160-LC	<b>140</b>
P01-23x160F/80x220-LC	<b>141</b>
P01-23x160F/140x280-LC	<b>142</b>
P01-23x160F/210x350-LC	<b>143</b>
P01-23x160F/270x410-LC	<b>144</b>
P01-23x160F/370x510-LC	<b>145</b>
P01-23x160F/550x690-LC	<b>146</b>
P01-23x160F/640x780-LC	<b>147</b>
<b>Linear Guides</b>	<b>148</b>
<b>Accessories</b>	<b>149</b>



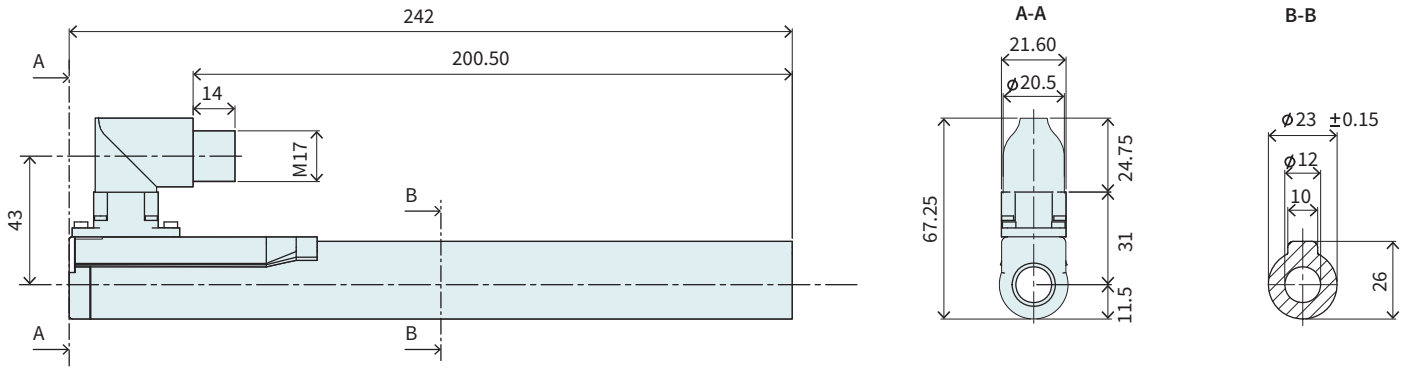


### MOTOR FAMILY P01-23x160F

#### Technical Data

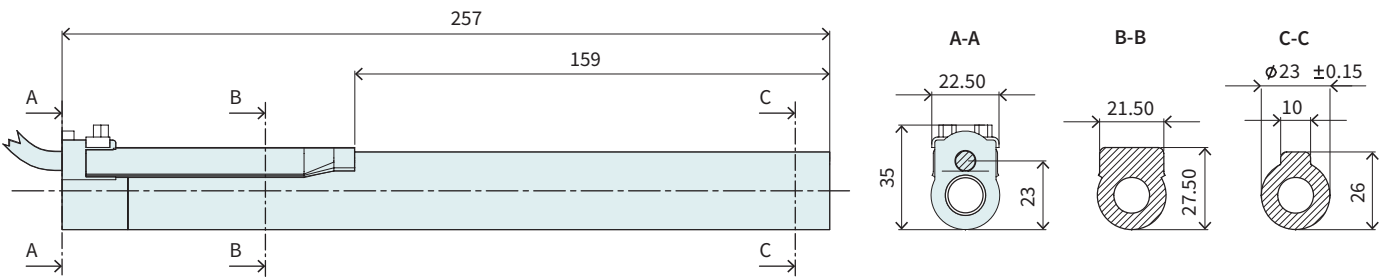
Technical Data				
<b>Stroke</b>				
Standard Stroke (SS)	mm	(in)	≤ 640	(≤ 25.19)
Extended Stroke (ES)	mm	(in)	≤ 780	(≤ 30.69)
<b>Force</b>				
Max. Force @ 48VDC	N	(lbf)	62.5	(14.1)
Max. Force @ 72VDC	N	(lbf)	86.4	(19.4)
Max. Cont. Force [Passive cooling / Fan / Fluid]	N	(lbf)	16 / 30 / -	(3.6 / 6.9 / -)
Max. Border Force relative			%	
			≤ 75	
Force Constant	N/A <sub>pk</sub>	(lbf/A <sub>pk</sub> )	14.4	(3.24)
<b>Velocity</b>				
Max. Velocity @ 48VDC	m/s	(in/s)	4	(159.9)
Max. Velocity @ 72VDC	m/s	(in/s)	6	(239.9)
<b>Position Detection</b>				
Position Resolution	mm	(in)	0.002	(0.0001)
Repeatability	mm	(in)	±0.05	(±0.002)
Position Resolution with ES	mm	(in)	0.001	(0.00004)
Repeatability with ES	mm	(in)	±0.01	(±0.0004)
Linearity with ES	mm	(in)	±0.01	(±0.0004)
<b>Electrical Data</b>				
Max. Current @ 48VDC	A <sub>pk</sub>		4.3	
Max. Current @ 72VDC	A <sub>pk</sub>		5.9	
Max. Cont. Current [Passive cooling / Fan / Fluid]	A <sub>pk</sub>		1.1 / 2.1 / -	
Terminal Resistance 25 °C / 120 °C	Ohm		9 / 12	
Terminal Inductivity	mH		1.2	
Magnetic Period	mm	(in)	20	(0.78)
<b>Thermal Data</b>				
Max. Winding Temperature (Sensor)	°C		90	
Thermal Resistance [Passive cooling / Fan / Fluid]	°K/W		3.5 / 1 / -	
Thermal Time Constant [Passive cooling / Fan / Fluid]	s		700 / 200 / -	
<b>Mechanical Data</b>				
Stator Diameter	mm	(in)	23	(0.91)
Stator Length [Connector type / Cable type]	mm	(in)	242 / 257	(9.5 / 10)
Stator Mass	g	(lb)	450	(1.0)
Slider Diameter	mm	(in)	12	(0.47)
Slider Length	mm	(in)	170 - 850	(6.7 - 33)
Slider Mass	g	(lb)	130 - 700	(0.29 - 1.54)
IP Code			IP 65	

**STATOR CONNECTOR TYPE**



Item	Description	Item-No.
PS01-23x160F-R	Stator with IP67 Connector M17/9(m)	0150-1235

**STATOR CABLE TYPE**

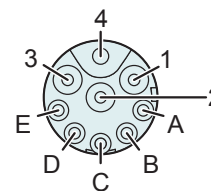


Item	Description	Item-No.
PS01-23x160F-R20	Stator, 0.2 m cable, IP67 con. M17/9(m)	0150-1243

**CONNECTOR**

Motor Connector Wiring	PS01-23x160F-R PS01-23x160F-R20	Wire color motor cable
	R-Connector	
Ph 1+	1	red
Ph 1-	2	pink
Ph 2+	3	blue
Ph 2-	4	grey
+5VDC	A	white
GND	B	inner shield
Sin	C	yellow
Cos	D	green
Temp.	E	black
Shield	Housing	outer Shield

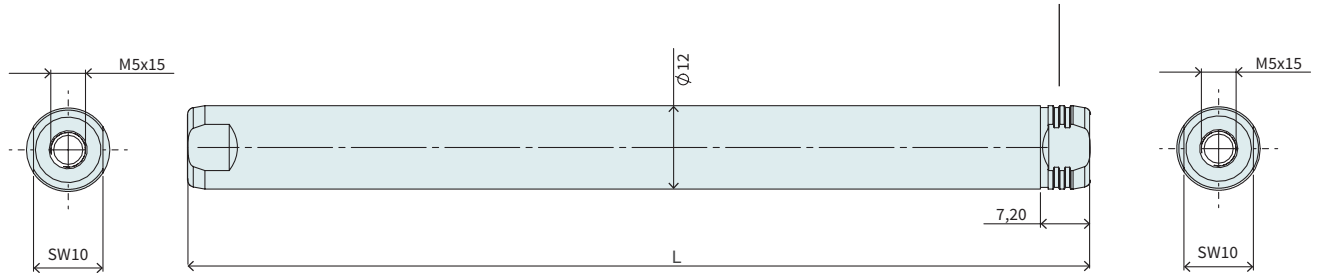
**R-Connector**



View: Motor Connector, plug side

**SLIDER**

Number of grooves determines the slider type (see chapter 2 / slider) and marks the front end.

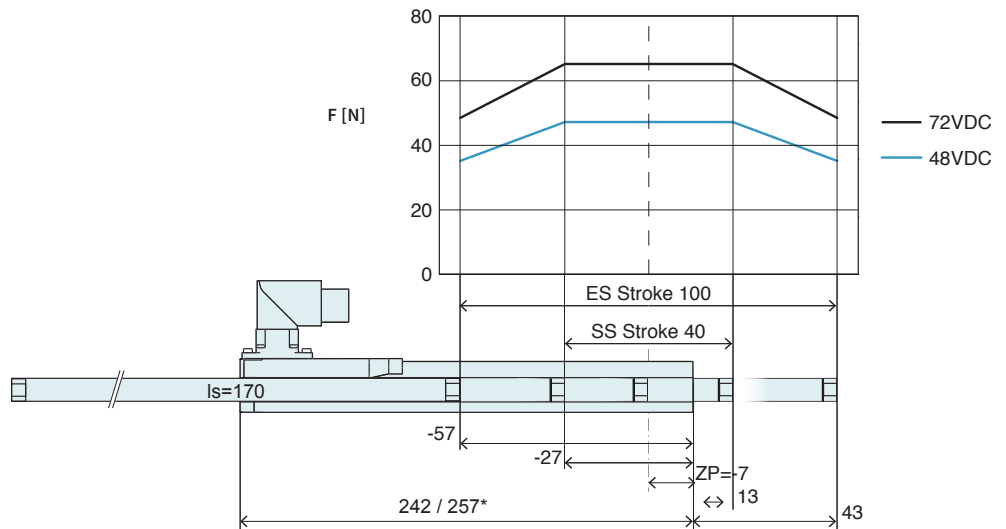


Slider Standard				
Item	Description	Max. Stroke [mm]	Standard Stroke [mm]	Item-No.
PL01-12x170/130-LC	Slider 'standard LC'	100	40	0150-2581
PL01-12x190/150-LC	Slider 'standard LC'	120	20	0150-2582
PL01-12x230/190-LC	Slider 'standard LC'	160	20	0150-2598
PL01-12x290/250-LC	Slider 'standard LC'	220	80	0150-2583
PL01-12x350/310-LC	Slider 'standard LC'	280	140	0150-2584
PL01-12x420/380-LC	Slider 'standard LC'	350	210	0150-2585
PL01-12x480/440-LC	Slider 'standard LC'	410	270	0150-2586
PL01-12x580/540-LC	Slider 'standard LC'	510	370	0150-2587
PL01-12x760/720-LC	Slider 'standard LC'	690	550	0150-2589
PL01-12x850/810-LC	Slider 'standard LC'	780	640	0150-2588

Slider Heavy Duty				
Item	Description	Max. Stroke [mm]	Standard Stroke [mm]	Item-No.
PL02-12x170/130-LC	Slider 'heavy duty LC'	100	40	0150-2591
PL02-12x190/150-LC	Slider 'heavy duty LC'	120	20	0150-2592
PL02-12x230/190-LC	Slider 'heavy duty LC'	160	20	0150-2599
PL02-12x290/250-LC	Slider 'heavy duty LC'	220	80	0150-2593
PL02-12x350/310-LC	Slider 'heavy duty LC'	280	140	0150-2594
PL02-12x420/380-LC	Slider 'heavy duty LC'	350	210	0150-2595
PL02-12x480/440-LC	Slider 'heavy duty LC'	410	270	0150-2597
PL02-12x580/540-LC	Slider 'heavy duty LC'	510	370	0150-2596
PL02-12x760/720-LC	Slider 'heavy duty LC'	690	550	on request
PL02-12x850/810-LC	Slider 'heavy duty LC'	780	640	on request

**P01-23x160F/40x100-LC**

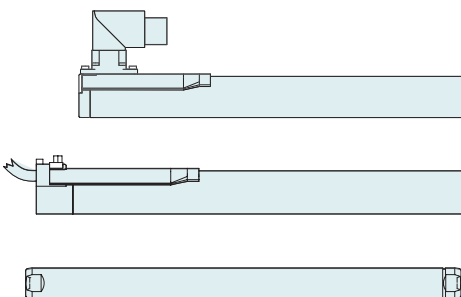
**Max. Stroke:** 100 mm  
**Peak Force:** 65 N



Dimensions in mm  
 \*Cable Type

Technical Data P01-23x160F/40x100-LC

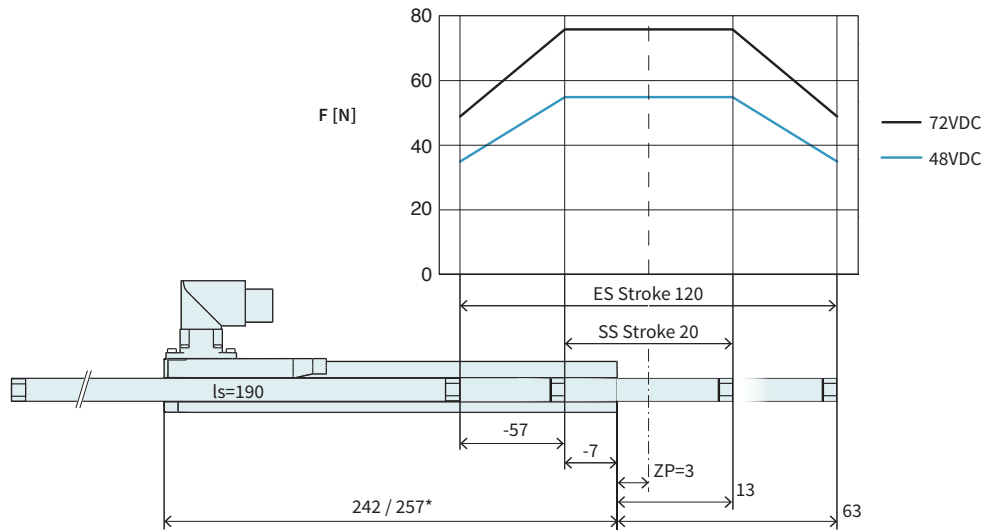
Technical Data P01-23x160F/40x100-LC			
<b>Stroke</b>			
Standard Stroke (SS)	mm (in)		40 (1.57)
Extended Stroke (ES)	mm (in)		100 (3.93)
<b>Force</b>			
Max. Force @ 48VDC	N (lbf)		46.9 (10.5)
Max. Force @ 72VDC	N (lbf)		64.8 (14.6)
Max. Cont. Force [Passive cooling / Fan / Fluid]	N (lbf)		12 / 23 / - (2.7 / 5.1 / -)
Max. Border Force relative	%		75
Force Constant	N/A <sub>pk</sub> (lbf/A <sub>pk</sub> )		10.8 (2.43)
<b>Velocity</b>			
Max. Velocity @ 48VDC	m/s (in/s)		4 (159.9)
Max. Velocity @ 72VDC	m/s (in/s)		6 (239.9)
<b>Position Detection</b>			
Repeatability	mm (in)		±0.05 (±0.002)
Linearity	%		± 0.35
<b>Electrical Data</b>			
Max. Current @ 48VDC	A <sub>pk</sub>		4.3
Max. Current @ 72VDC	A <sub>pk</sub>		5.9
Max. Cont. Current [Passive cooling / Fan / Fluid]	A <sub>pk</sub>		1.1 / 2.1 / -
<b>Thermal Data</b>			
Max. Winding Temperature (Sensor)	°C		90
Thermal Resistance [Passive cooling / Fan / Fluid]	°K/W		3.5 / 1 / -
Thermal Time Constant [Passive cooling / Fan / Fluid]	s		700 / 200 / -
<b>Mechanical Data</b>			
Slider Length	mm (in)		170 (6.7)
Slider Mass	g (lb)		130 (0.29)



Item	Description	Item-No.
<b>PS01-23x160F-R</b>	Stator with IP67 Connector M17/9(m)	0150-1235
<b>PS01-23x160F-R20</b>	Stator, 0.2 m cable, IP67 con. M17/9(m)	0150-1243
<b>PL01-12x170/130-LC</b>	Slider 'standard LC'	0150-2581
<b>PL02-12x170/130-LC</b>	Slider 'heavy duty LC'	0150-2591

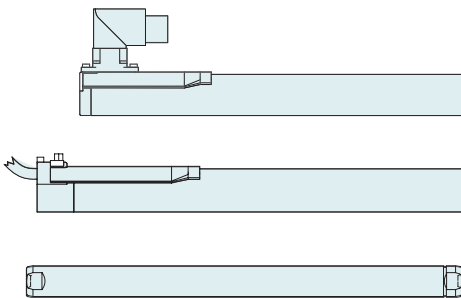
**P01-23x160F/20x120-LC**

**Max. Stroke:** 120 mm  
**Peak Force:** 76 N



Dimensions in mm  
 \*Cable Type

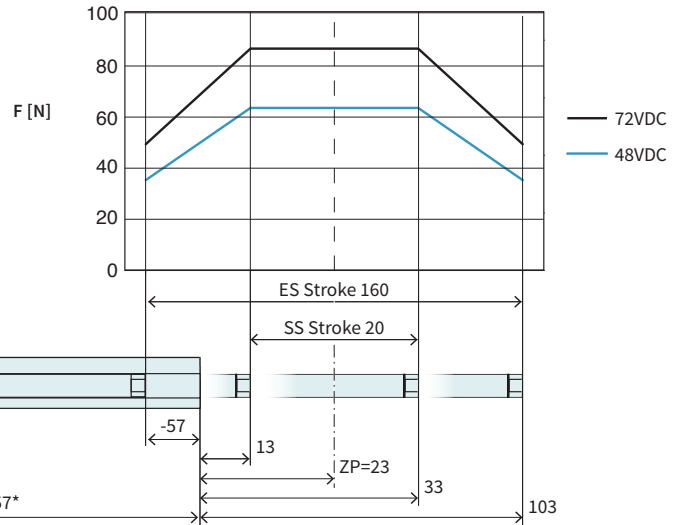
Technical Data P01-23x160F/20x120-LC				
<b>Stroke</b>				
Standard Stroke (SS)	mm (in)		20 (0.78)	
Extended Stroke (ES)	mm (in)		120 (4.71)	
<b>Force</b>				
Max. Force @ 48VDC	N (lbf)		54.7 (12.3)	
Max. Force @ 72VDC	N (lbf)		75.6 (17)	
Max. Cont. Force [Passive cooling / Fan / Fluid]	N (lbf)		14 / 27 / - (3.2 / 6 / -)	
Max. Border Force relative	%		64	
Force Constant	N/A <sub>pk</sub> (lbf/A <sub>pk</sub> )		12.6 (2.83)	
<b>Velocity</b>				
Max. Velocity @ 48VDC	m/s (in/s)		3.4 (139.9)	
Max. Velocity @ 72VDC	m/s (in/s)		5.2 (209.9)	
<b>Position Detection</b>				
Repeatability	mm (in)		±0.05 (±0.002)	
Linearity	%		± 0.3	
<b>Electrical Data</b>				
Max. Current @ 48VDC	A <sub>pk</sub>		4.3	
Max. Current @ 72VDC	A <sub>pk</sub>		5.9	
Max. Cont. Current [Passive cooling / Fan / Fluid]	A <sub>pk</sub>		1.1 / 2.1 / -	
<b>Thermal Data</b>				
Max. Winding Temperature (Sensor)	°C		90	
Thermal Resistance [Passive cooling / Fan / Fluid]	*K/W		3.5 / 1 / -	
Thermal Time Constant [Passive cooling / Fan / Fluid]	s		700 / 200 / -	
<b>Mechanical Data</b>				
Slider Length	mm (in)		190 (7.5)	
Slider Mass	g (lb)		145 (0.32)	



Item	Description	Item-No.
<b>PS01-23x160F-R</b>	Stator with IP67 Connector M17/9(m)	0150-1235
<b>PS01-23x160F-R20</b>	Stator, 0.2 m cable, IP67 con. M17/9(m)	0150-1243
<b>PL01-12x190/150-LC</b>	Slider 'standard LC'	0150-2582
<b>PL02-12x190/150-LC</b>	Slider 'heavy duty LC'	0150-2592

**P01-23x160F/20x160-LC**

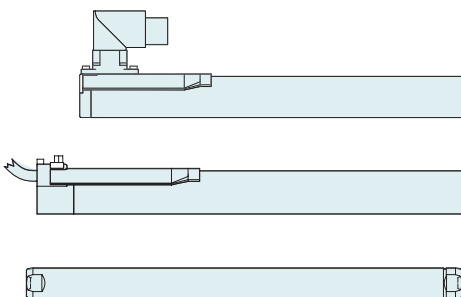
**Max. Stroke:** 160 mm  
**Peak Force:** 86 N



Dimensions in mm  
 \*Cable Type

Technical Data P01-23x160F/20x160-LC

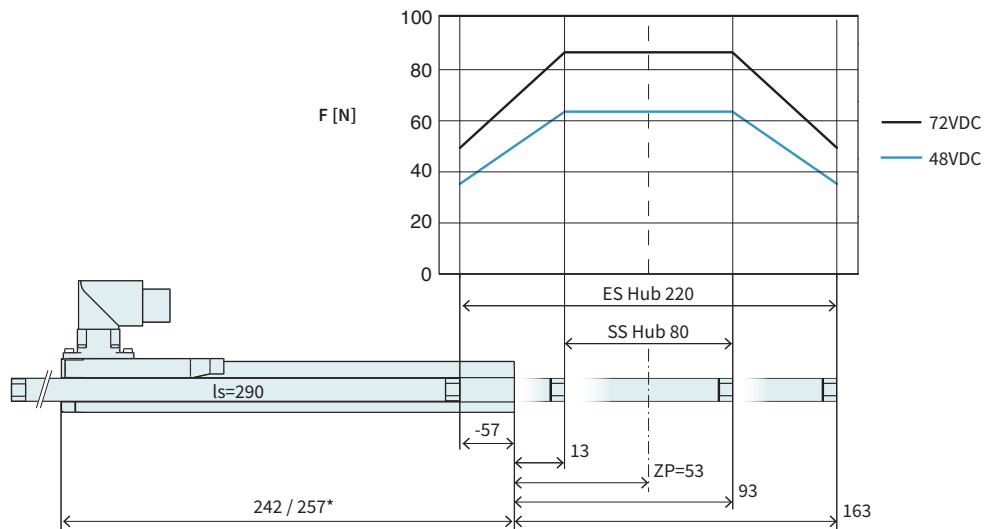
Technical Data P01-23x160F/20x160-LC			
<b>Stroke</b>			
Standard Stroke (SS)	mm (in)	20	(0.78)
Extended Stroke (ES)	mm (in)	160	(6.29)
<b>Force</b>			
Max. Force @ 48VDC	N (lbf)	62.5	(14.1)
Max. Force @ 72VDC	N (lbf)	86.4	(19.4)
Max. Cont. Force [Passive cooling / Fan / Fluid]	N (lbf)	16 / 30 / -	(3.6 / 6.9 / -)
Max. Border Force relative	%	56	
Force Constant	N/A <sub>pk</sub> (lbf/A <sub>pk</sub> )	14.4	(3.24)
<b>Velocity</b>			
Max. Velocity @ 48VDC	m/s (in/s)	3	(119.9)
Max. Velocity @ 72VDC	m/s (in/s)	4.5	(179.9)
<b>Position Detection</b>			
Repeatability	mm (in)	±0.05	(±0.002)
Linearity	%	± 0.25	
<b>Electrical Data</b>			
Max. Current @ 48VDC	A <sub>pk</sub>	4.3	
Max. Current @ 72VDC	A <sub>pk</sub>	5.9	
Max. Cont. Current [Passive cooling / Fan / Fluid]	A <sub>pk</sub>	1.1 / 2.1 / -	
<b>Thermal Data</b>			
Max. Winding Temperature (Sensor)	°C	90	
Thermal Resistance [Passive cooling / Fan / Fluid]	°K/W	3.5 / 1 / -	
Thermal Time Constant [Passive cooling / Fan / Fluid]	s	700 / 200 / -	
<b>Mechanical Data</b>			
Slider Length	mm (in)	230	(9.1)
Slider Mass	g (lb)	180	(0.4)



Item	Description	Item-No.
<b>PS01-23x160F-R</b>	Stator with IP67 Connector M17/9(m)	0150-1235
<b>PS01-23x160F-R20</b>	Stator, 0.2 m cable, IP67 con. M17/9(m)	0150-1243
<b>PL01-12x230/190-LC</b>	Slider 'standard LC'	0150-2598
<b>PL02-12x230/190-LC</b>	Slider 'heavy duty LC'	0150-2599

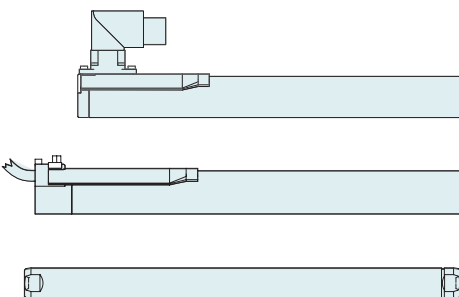
**P01-23x160F/80x220-LC**

**Max. Stroke:** 220 mm  
**Peak Force:** 86 N



Dimensions in mm  
 \*Cable Type

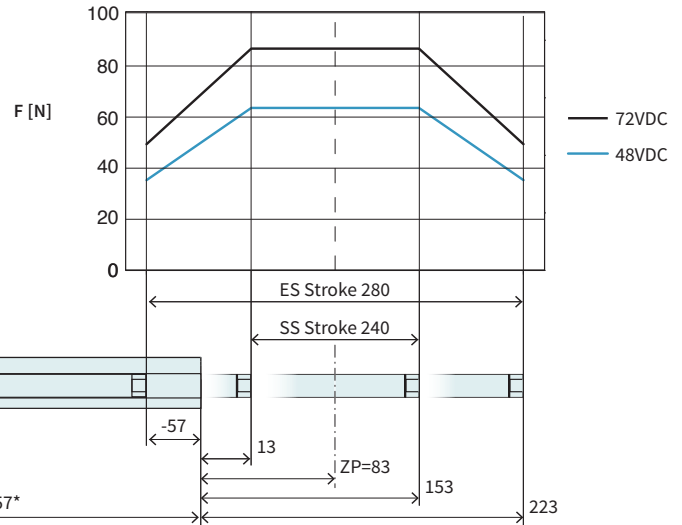
Technical Data P01-23x160F/80x220-LC			
<b>Stroke</b>			
Standard Stroke (SS)	mm (in)	80 (3.14)	
Extended Stroke (ES)	mm (in)	220 (8.65)	
<b>Force</b>			
Max. Force @ 48VDC	N (lbf)	62.5 (14.1)	
Max. Force @ 72VDC	N (lbf)	86.4 (19.4)	
Max. Cont. Force [Passive cooling / Fan / Fluid]	N (lbf)	16 / 30 / - (3.6 / 6.9 / -)	
Max. Border Force relative	%	56	
Force Constant	N/A <sub>pk</sub> (lbf/A <sub>pk</sub> )	14.4 (3.24)	
<b>Velocity</b>			
Max. Velocity @ 48VDC	m/s (in/s)	3 (119.9)	
Max. Velocity @ 72VDC	m/s (in/s)	4.5 (179.9)	
<b>Position Detection</b>			
Repeatability	mm (in)	±0.05 (±0.002)	
Linearity	%	± 0.2	
<b>Electrical Data</b>			
Max. Current @ 48VDC	A <sub>pk</sub>	4.3	
Max. Current @ 72VDC	A <sub>pk</sub>	5.9	
Max. Cont. Current [Passive cooling / Fan / Fluid]	A <sub>pk</sub>	1.1 / 2.1 / -	
<b>Thermal Data</b>			
Max. Winding Temperature (Sensor)	°C	90	
Thermal Resistance [Passive cooling / Fan / Fluid]	*K/W	3.5 / 1 / -	
Thermal Time Constant [Passive cooling / Fan / Fluid]	s	700 / 200 / -	
<b>Mechanical Data</b>			
Slider Length	mm (in)	290 (11)	
Slider Mass	g (lb)	230 (0.51)	



Item	Description	Item-No.
<b>PS01-23x160F-R</b>	Stator with IP67 Connector M17/9(m)	0150-1235
<b>PS01-23x160F-R20</b>	Stator, 0.2 m cable, IP67 con. M17/9(m)	0150-1243
<b>PL01-12x290/250-LC</b>	Slider 'standard LC'	0150-2583
<b>PL02-12x290/250-LC</b>	Slider 'heavy duty LC'	0150-2593

**P01-23x160F/140x280-LC**

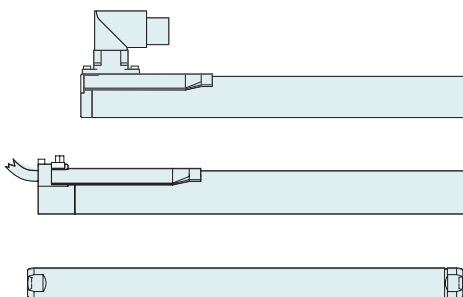
**Max. Stroke:** 280 mm  
**Peak Force:** 86 N



Dimensions in mm  
 \*Cable Type

Technical Data P01-23x160F/140x280-LC

Stroke			
Standard Stroke (SS)	mm (in)	140	(5.5)
Extended Stroke (ES)	mm (in)	280	(10.99)
Force			
Max. Force @ 48VDC	N (lbf)	62.5	(14.1)
Max. Force @ 72VDC	N (lbf)	86.4	(19.4)
Max. Cont. Force [Passive cooling / Fan / Fluid]	N (lbf)	16 / 30 / -	(3.6 / 6.9 / -)
Max. Border Force relative	%	56	
Force Constant	N/A <sub>pk</sub> (lbf/A <sub>pk</sub> )	14.4	(3.24)
Velocity			
Max. Velocity @ 48VDC	m/s (in/s)	3	(119.9)
Max. Velocity @ 72VDC	m/s (in/s)	4.5	(179.9)
Position Detection			
Repeatability	mm (in)	±0.05	(±0.002)
Linearity	%	± 0.2	
Electrical Data			
Max. Current @ 48VDC	A <sub>pk</sub>	4.3	
Max. Current @ 72VDC	A <sub>pk</sub>	5.9	
Max. Cont. Current [Passive cooling / Fan / Fluid]	A <sub>pk</sub>	1.1 / 2.1 / -	
Thermal Data			
Max. Winding Temperature (Sensor)	°C	90	
Thermal Resistance [Passive cooling / Fan / Fluid]	°K/W	3.5 / 1 / -	
Thermal Time Constant [Passive cooling / Fan / Fluid]	s	700 / 200 / -	
Mechanical Data			
Slider Length	mm (in)	350	(14)
Slider Mass	g (lb)	280	(0.62)

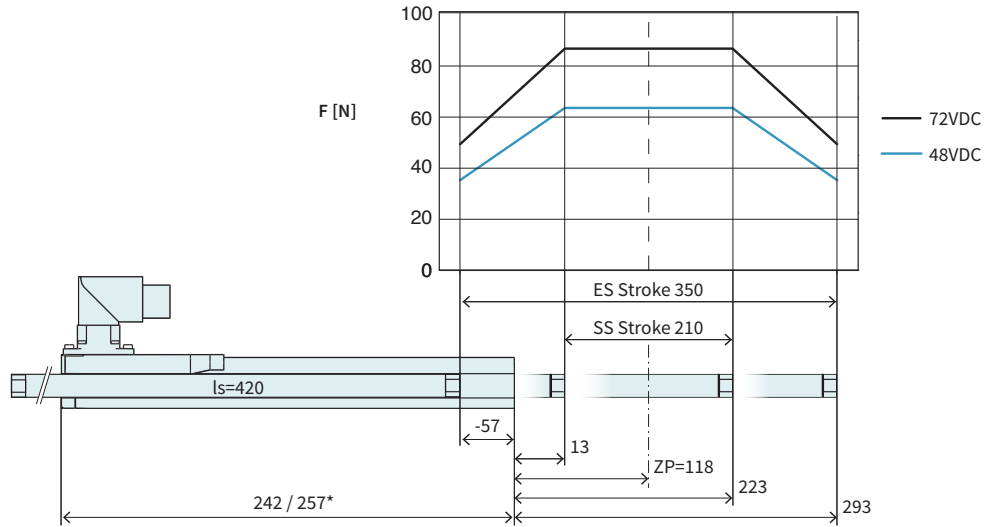


Item	Description	Item-No.
<b>PS01-23x160F-R</b>	Stator with IP67 Connector M17/9(m)	0150-1235
<b>PS01-23x160F-R20</b>	Stator, 0.2 m cable, IP67 con. M17/9(m)	0150-1243
<b>PL01-12x350/310-LC</b>	Slider 'standard LC'	0150-2584
<b>PL02-12x350/310-LC</b>	Slider 'heavy duty LC'	0150-2594



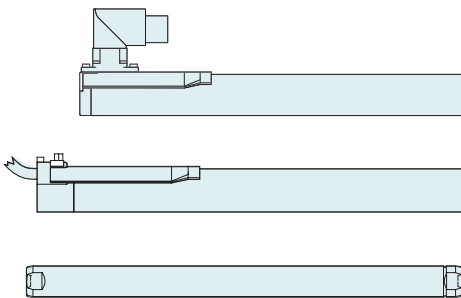
**P01-23x160F/210x350-LC**

**Max. Stroke:** 350 mm  
**Peak Force:** 86 N



Dimensions in mm  
 \*Cable Type

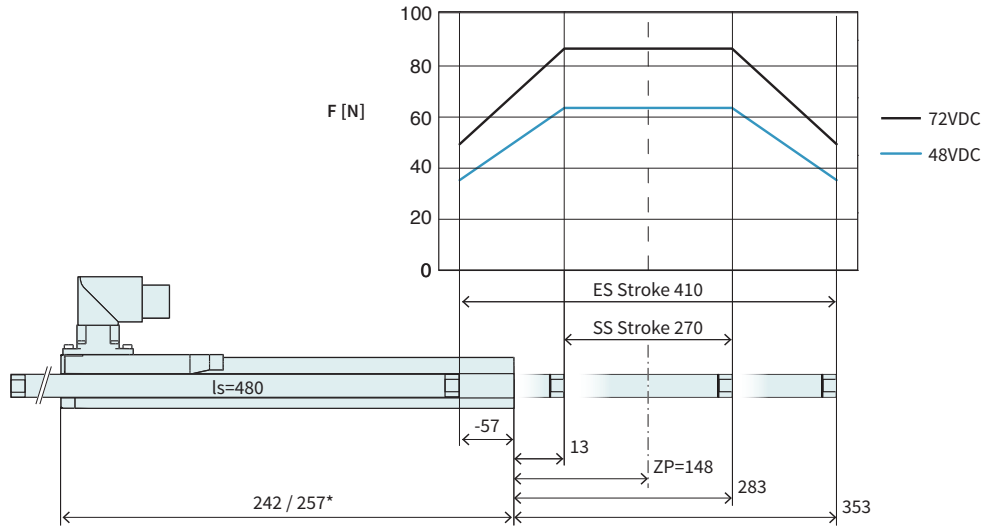
Technical Data P01-23x160F/210x350-LC				
<b>Stroke</b>				
Standard Stroke (SS)	mm (in)		210 (8.26)	
Extended Stroke (ES)	mm (in)		350 (13.8)	
<b>Force</b>				
Max. Force @ 48VDC	N (lbf)		62.5 (14.1)	
Max. Force @ 72VDC	N (lbf)		86.4 (19.4)	
Max. Cont. Force [Passive cooling / Fan / Fluid]	N (lbf)		16 / 30 / - (3.6 / 6.9 / -)	
Max. Border Force relative	%		56	
Force Constant	N/A <sub>pk</sub> (lbf/A <sub>pk</sub> )		14.4 (3.24)	
<b>Velocity</b>				
Max. Velocity @ 48VDC	m/s (in/s)		3 (119.9)	
Max. Velocity @ 72VDC	m/s (in/s)		4.5 (179.9)	
<b>Position Detection</b>				
Repeatability	mm (in)		±0.05 (±0.002)	
Linearity	%		± 0.15	
<b>Electrical Data</b>				
Max. Current @ 48VDC	A <sub>pk</sub>		4.3	
Max. Current @ 72VDC	A <sub>pk</sub>		5.9	
Max. Cont. Current [Passive cooling / Fan / Fluid]	A <sub>pk</sub>		1.1 / 2.1 / -	
<b>Thermal Data</b>				
Max. Winding Temperature (Sensor)	°C		90	
Thermal Resistance [Passive cooling / Fan / Fluid]	*K/W		3.5 / 1 / -	
Thermal Time Constant [Passive cooling / Fan / Fluid]	s		700 / 200 / -	
<b>Mechanical Data</b>				
Slider Length	mm (in)		420 (17)	
Slider Mass	g (lb)		340 (0.75)	



Item	Description	Item-No.
<b>PS01-23x160F-R</b>	Stator with IP67 Connector M17/9(m)	0150-1235
<b>PS01-23x160F-R20</b>	Stator, 0.2 m cable, IP67 con. M17/9(m)	0150-1243
<b>PL01-12x420/380-LC</b>	Slider 'standard LC'	0150-2585
<b>PL02-12x420/380-LC</b>	Slider 'heavy duty LC'	0150-2595

**P01-23x160F/270x410-LC**

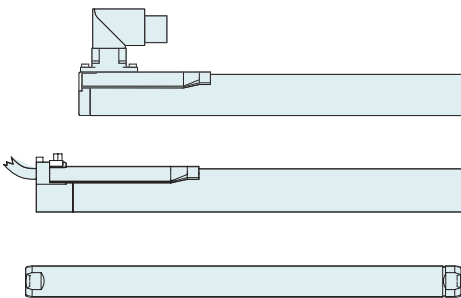
**Max. Stroke:** 410 mm  
**Peak Force:** 86 N



Dimensions in mm  
 \*Cable Type

Technical Data P01-23x160F/270x410-LC

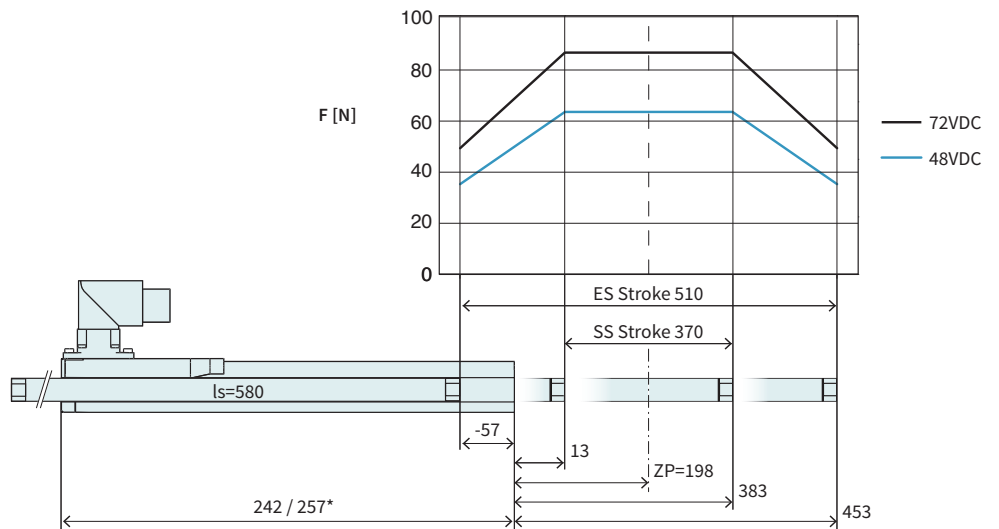
Stroke			
Standard Stroke (SS)	mm (in)	270 (10.59)	
Extended Stroke (ES)	mm (in)	410 (16.1)	
Force			
Max. Force @ 48VDC	N (lbf)	62.5 (14.1)	
Max. Force @ 72VDC	N (lbf)	86.4 (19.4)	
Max. Cont. Force [Passive cooling / Fan / Fluid]	N (lbf)	16 / 30 / - (3.6 / 6.9 / -)	
Max. Border Force relative	%	56	
Force Constant	N/A <sub>pk</sub> (lbf/A <sub>pk</sub> )	14.4 (3.24)	
Velocity			
Max. Velocity @ 48VDC	m/s (in/s)	3 (119.9)	
Max. Velocity @ 72VDC	m/s (in/s)	4.5 (179.9)	
Position Detection			
Repeatability	mm (in)	±0.05 (±0.002)	
Linearity	%	± 0.15	
Electrical Data			
Max. Current @ 48VDC	A <sub>pk</sub>	4.3	
Max. Current @ 72VDC	A <sub>pk</sub>	5.9	
Max. Cont. Current [Passive cooling / Fan / Fluid]	A <sub>pk</sub>	1.1 / 2.1 / -	
Thermal Data			
Max. Winding Temperature (Sensor)	°C	90	
Thermal Resistance [Passive cooling / Fan / Fluid]	°K/W	3.5 / 1 / -	
Thermal Time Constant [Passive cooling / Fan / Fluid]	s	700 / 200 / -	
Mechanical Data			
Slider Length	mm (in)	480 (19)	
Slider Mass	g (lb)	390 (0.78)	



Item	Description	Item-No.
<b>PS01-23x160F-R</b>	Stator with IP67 Connector M17/9(m)	0150-1235
<b>PS01-23x160F-R20</b>	Stator, 0.2 m cable, IP67 con. M17/9(m)	0150-1243
<b>PL01-12x480/440-LC</b>	Slider 'standard LC'	0150-2586
<b>PL02-12x480/440-LC</b>	Slider 'heavy duty LC'	0150-2597

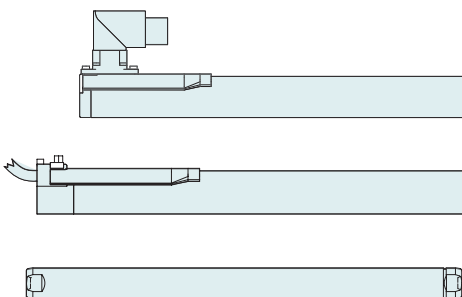
**P01-23x160F/370x510-LC**

**Max. Stroke:** 510 mm  
**Peak Force:** 86 N



Dimensions in mm  
 \*Cable Type

Technical Data P01-23x160F/370x510-LC			
<b>Stroke</b>			
Standard Stroke (SS)	mm (in)		370 (14.59)
Extended Stroke (ES)	mm (in)		510 (20.1)
<b>Force</b>			
Max. Force @ 48VDC	N (lbf)		62.5 (14.1)
Max. Force @ 72VDC	N (lbf)		86.4 (19.4)
Max. Cont. Force [Passive cooling / Fan / Fluid]	N (lbf)		16 / 30 / - (3.6 / 6.9 / -)
Max. Border Force relative	%		56
Force Constant	N/A <sub>pk</sub> (lbf/A <sub>pk</sub> )		14.4 (3.24)
<b>Velocity</b>			
Max. Velocity @ 48VDC	m/s (in/s)		3 (119.9)
Max. Velocity @ 72VDC	m/s (in/s)		4.5 (179.9)
<b>Position Detection</b>			
Repeatability	mm (in)		±0.05 (±0.002)
Linearity	%		± 0.15
<b>Electrical Data</b>			
Max. Current @ 48VDC	A <sub>pk</sub>		4.3
Max. Current @ 72VDC	A <sub>pk</sub>		5.9
Max. Cont. Current [Passive cooling / Fan / Fluid]	A <sub>pk</sub>		1.1 / 2.1 / -
<b>Thermal Data</b>			
Max. Winding Temperature (Sensor)	°C		90
Thermal Resistance [Passive cooling / Fan / Fluid]	°K/W		3.5 / 1 / -
Thermal Time Constant [Passive cooling / Fan / Fluid]	s		700 / 200 / -
<b>Mechanical Data</b>			
Slider Length	mm (in)		580 (23)
Slider Mass	g (lb)		480 (1.06)

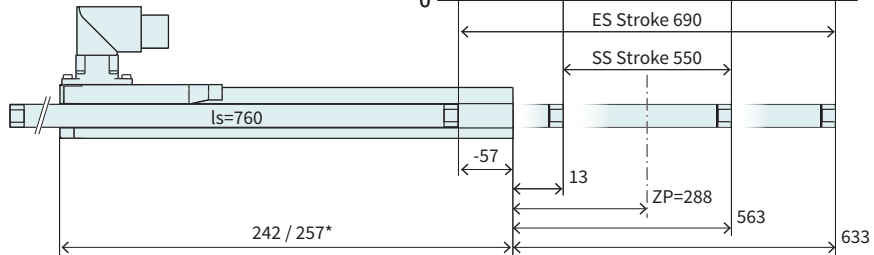
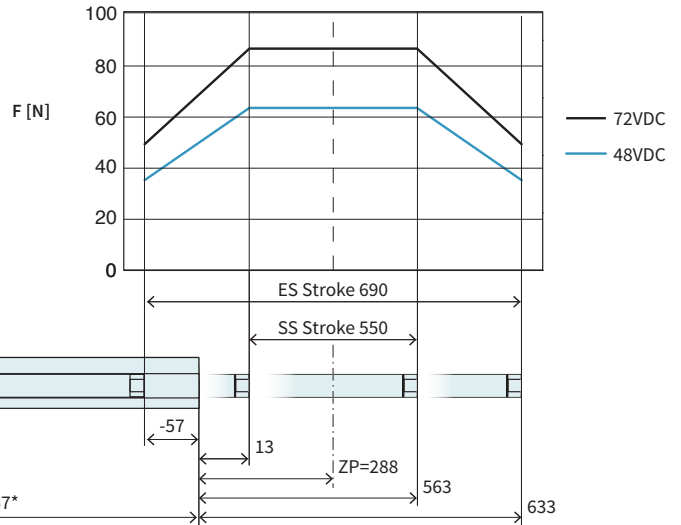


Item	Description	Item-No.
<b>PS01-23x160F-R</b>	Stator with IP67 Connector M17/9(m)	0150-1235
<b>PS01-23x160F-R20</b>	Stator, 0.2 m cable, IP67 con. M17/9(m)	0150-1243
<b>PL01-12x580/540-LC</b>	Slider 'standard LC'	0150-2587
<b>PL02-12x580/540-LC</b>	Slider 'heavy duty LC'	0150-2596

**P01-23x160F/550x690-LC**

3

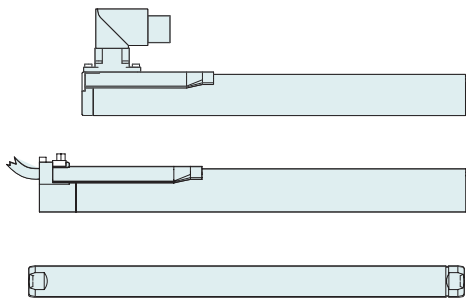
**Max. Stroke:** 690 mm  
**Peak Force:** 86 N



Dimensions in mm  
 \*Cable Type

Technical Data P01-23x160F/550x690-LC

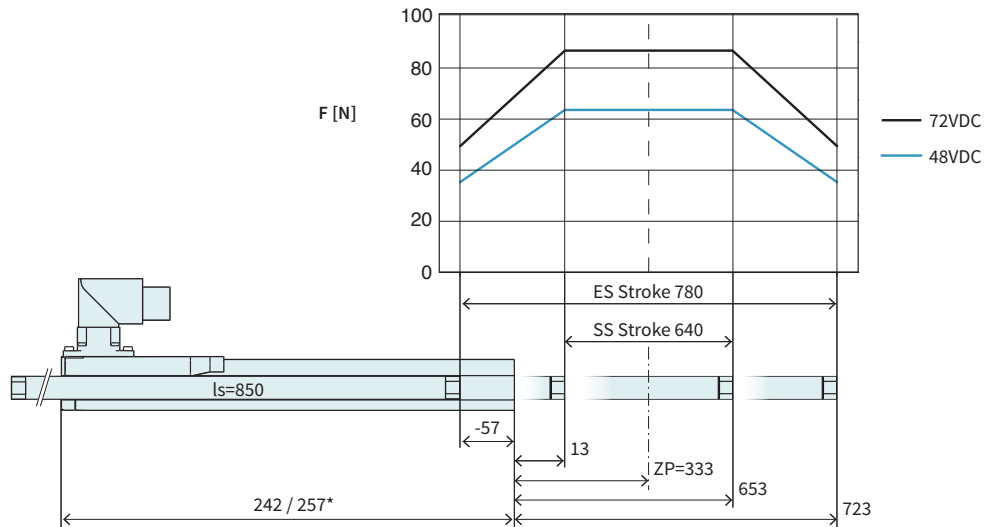
Technical Data P01-23x160F/550x690-LC			
<b>Stroke</b>			
Standard Stroke (SS)	mm (in)	550	(21.69)
Extended Stroke (ES)	mm (in)	690	(27.19)
<b>Force</b>			
Max. Force @ 48VDC	N (lbf)	62.5	(14.1)
Max. Force @ 72VDC	N (lbf)	86.4	(19.4)
Max. Cont. Force [Passive cooling / Fan / Fluid]	N (lbf)	16 / 30 / -	(3.6 / 6.9 / -)
Max. Border Force relative	%	56	
Force Constant	N/A <sub>pk</sub> (lbf/A <sub>pk</sub> )	14.4	(3.24)
<b>Velocity</b>			
Max. Velocity @ 48VDC	m/s (in/s)	3	(119.9)
Max. Velocity @ 72VDC	m/s (in/s)	4.5	(179.9)
<b>Position Detection</b>			
Repeatability	mm (in)	±0.05	(±0.002)
Linearity	%	± 0.15	
<b>Electrical Data</b>			
Max. Current @ 48VDC	A <sub>pk</sub>	4.3	
Max. Current @ 72VDC	A <sub>pk</sub>	5.9	
Max. Cont. Current [Passive cooling / Fan / Fluid]	A <sub>pk</sub>	1.1 / 2.1 / -	
<b>Thermal Data</b>			
Max. Winding Temperature (Sensor)	°C	90	
Thermal Resistance [Passive cooling / Fan / Fluid]	°K/W	3.5 / 1 / -	
Thermal Time Constant [Passive cooling / Fan / Fluid]	s	700 / 200 / -	
<b>Mechanical Data</b>			
Slider Length	mm (in)	760	(30)
Slider Mass	g (lb)	630	(1.39)



Item	Description	Item-No.
<b>PS01-23x160F-R</b>	Stator with IP67 Connector M17/9(m)	0150-1235
<b>PS01-23x160F-R20</b>	Stator, 0.2 m cable, IP67 con. M17/9(m)	0150-1243
<b>PL01-12x760/720-LC</b>	Slider 'standard LC'	0150-2589
<b>PL01-12x760/720-LC</b>	Slider 'heavy duty LC'	on request

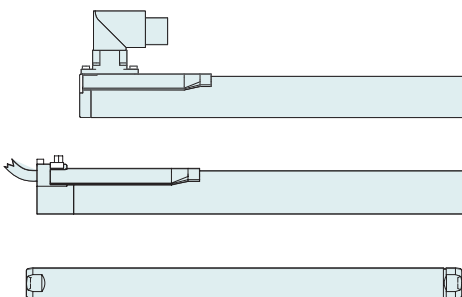
**P01-23x160F/640x780-LC**

**Max. Stroke:** 780 mm  
**Peak Force:** 86 N



Dimensions in mm  
 \*Cable Type

Technical Data P01-23x160F/640x780-LC				
<b>Stroke</b>				
Standard Stroke (SS)	mm (in)		640	(25.19)
Extended Stroke (ES)	mm (in)		780	(30.69)
<b>Force</b>				
Max. Force @ 48VDC	N (lbf)		62.5	(14.1)
Max. Force @ 72VDC	N (lbf)		86.4	(19.4)
Max. Cont. Force [Passive cooling / Fan / Fluid]	N (lbf)		16 / 30 / -	(3.6 / 6.9 / -)
Max. Border Force relative	%		56	
Force Constant	N/A <sub>pk</sub> (lbf/A <sub>pk</sub> )		14.4	(3.24)
<b>Velocity</b>				
Max. Velocity @ 48VDC	m/s (in/s)		3	(119.9)
Max. Velocity @ 72VDC	m/s (in/s)		4.5	(179.9)
<b>Position Detection</b>				
Repeatability	mm (in)		±0.05	(±0.002)
Linearity	%		±0.15	
<b>Electrical Data</b>				
Max. Current @ 48VDC	A <sub>pk</sub>		4.3	
Max. Current @ 72VDC	A <sub>pk</sub>		5.9	
Max. Cont. Current [Passive cooling / Fan / Fluid]	A <sub>pk</sub>		1.1 / 2.1 / -	
<b>Thermal Data</b>				
Max. Winding Temperature (Sensor)	°C		90	
Thermal Resistance [Passive cooling / Fan / Fluid]	*K/W		3.5 / 1 / -	
Thermal Time Constant [Passive cooling / Fan / Fluid]	s		700 / 200 / -	
<b>Mechanical Data</b>				
Slider Length	mm (in)		850	(33)
Slider Mass	g (lb)		700	(1.54)



Item	Description	Item-No.
<b>PS01-23x160F-R</b>	Stator with IP67 Connector M17/9(m)	0150-1235
<b>PS01-23x160F-R20</b>	Stator, 0.2 m cable, IP67 con. M17/9(m)	0150-1243
<b>PL01-12x850/810-LC</b>	Slider 'standard LC'	0150-2588
<b>PL02-12x850/810-LC</b>	Slider 'heavy duty LC'	on request

**Linear Guides H01**

3



**HM01-23x160/80 | Linear Module 23x160 with 80 mm Stroke**

→	H-Guide	H01-23x166/80	H-Guide for P01-23x160, Stroke max 80mm	0150-5017
		H01-23x166/80-GF	H-Guide for P01-23x160, Stroke max 80mm	0150-5077
→	Stator	PS01-23x160F-R	Linearmotor Stator, Connector R - IP67	0150-1235
		PS01-23x160F-R20	Linearmotor Stator, 0.2m Cable, Connector R - IP67	0150-1243
→	Slider	PL01-12x290/250-LC	Slider 'standard LC'	0150-2583

**HM01-23x160/180 | Linear Module 23x160 with 180 mm Stroke**

→	H-Guide	H01-23x166/180	H-Guide for P01-23x160, Stroke max 180mm	0150-5018
		H01-23x166/180-GF	H-Guide for P01-23x160, Stroke max 180mm	0150-5078
→	Stator	PS01-23x160F-R	Linearmotor Stator, Connector R - IP67	0150-1235
		PS01-23x160F-R20	Linearmotor Stator, 0.2m Cable, Connector R - IP67	0150-1243
→	Slider	PL01-12x420/380-LC	Slider 'standard LC'	0150-2585

**HM01-23x160/280 | Linear Module 23x160 with 280 mm Stroke**

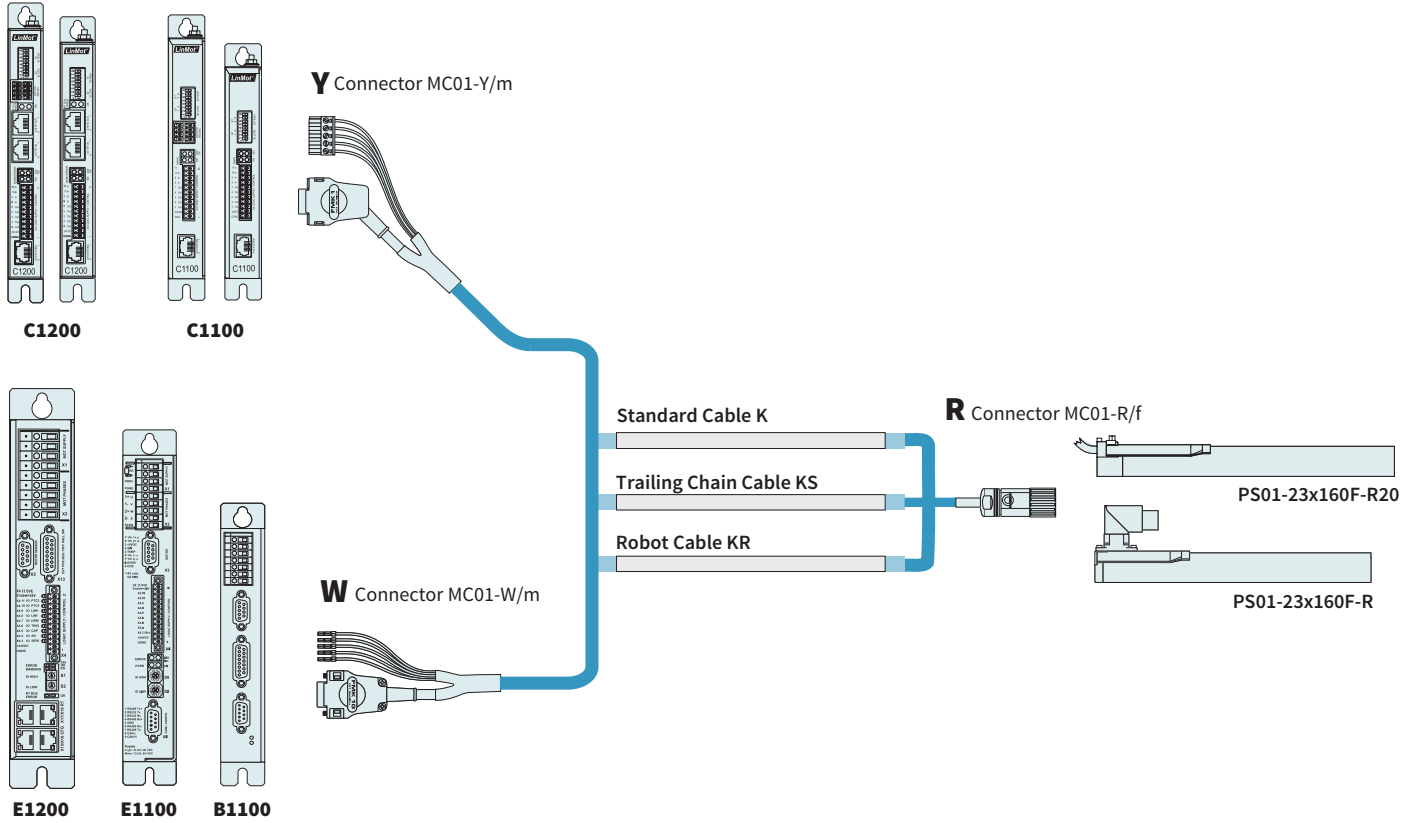
→	H-Guide	H01-23x166/280	H-Guide for P01-23x160, Stroke max 280mm	0150-5019
		H01-23x166/280-GF	H-Guide for P01-23x160, Stroke max 280mm	0150-5079
→	Stator	PS01-23x160F-R	Linearmotor Stator, Connector R - IP67	0150-1235
		PS01-23x160F-R20	Linearmotor Stator, 0.2m Cable, Connector R - IP67	0150-1243
→	Slider	PL01-12x480/440-LC	Slider 'standard LC'	0150-2586

**Accessories**

→	Fan	HV01-23	Fan cooling for H01-23	0150-5050
→	MagSpring	MF01-20/H23	Flange MagSpring 20 / H-Guide 23	0250-2306
		MA01-20/H23	Flange MagSpring 20 / H-Guide 23	0250-0116
→	Centering sleeve	HC01-09/04	Centering sleeve D9x4mm	0150-3251

FIND MORE PRODUCT DETAILS IN THE CHAPTER "LINEAR GUIDES".

**Motor Cable**



**ORDERING INFORMATION**

STANDARD CABLE		
Item	Description	Item-No.
<b>K05-W/R-2</b>	Motor Cable W/R, 2 m	0150-2119
<b>K05-W/R-4</b>	Motor Cable W/R, 4 m	0150-2120
<b>K05-W/R-6</b>	Motor Cable W/R, 6 m	0150-2121
<b>K05-W/R-8</b>	Motor Cable W/R, 8 m	0150-2122
<b>K05-W/R-</b>	Motor Cable W/R, Custom length	0150-3262
<b>K05-W/D-0.4</b>	Motor Cable W/D, 0.4 m	0150-1947
<b>K05-Y/R-2</b>	Motor Cable Y/R, 2 m	0150-2421
<b>K05-Y/R-4</b>	Motor Cable Y/R, 4 m	0150-2422
<b>K05-Y/R-6</b>	Motor Cable Y/R, 6 m	0150-2423
<b>K05-Y/R-8</b>	Motor Cable Y/R, 8 m	0150-2424
<b>K05-Y-Fe/R-</b>	Motor Cable Y/R, Custom length	0150-3501
<b>K05-Y-Fe/D-</b>	Motor Cable Y-Fe/D, Custom length	0150-1947

## TRAILING CHAIN CABLE

Item	Description	Item-No.
<b>KS05-W/R-4</b>	Trailing Chain Cable W/R, 4 m	0150-2106
<b>KS05-W/R-6</b>	Trailing Chain Cable W/R, 6 m	0150-2131
<b>KS05-W/R-8</b>	Trailing Chain Cable W/R, 8 m	0150-2107
<b>KS05-W/R-</b>	Trailing Chain Cable W/R, Custom length	0150-3256
<b>KS05-Y/R-4</b>	Trailing Chain Cable Y/R, 4 m	0150-2433
<b>KS05-Y/R-6</b>	Trailing Chain Cable Y/R, 6 m	0150-2434
<b>KS05-Y/R-8</b>	Trailing Chain Cable Y/R, 8 m	0150-2435
<b>KS05-Y/R-</b>	Trailing Chain Cable Y/R, Custom length	0150-3507
<b>KS05-Y-Fe/D-</b>	Trailing Chain Cable Y-Fe/D, Custom length	0150-3556

## ROBOT CABLE

Item	Description	Item-No.
<b>KR05-W/R-</b>	Robot Cable KR05-W/R, Custom length	0150-3336
<b>KR05-Y-Fe/R-</b>	Robot Cable KR05-Y-Fe/R, Custom length	0150-3512

## CONNECTOR &amp; CABLE (INDIVIDUAL)

Item	Description	Item-No.
<b>MC01-W/m</b>	Motor Connector W/m	0150-3140
<b>MC01-Y-Fe/m</b>	Motor Connector Y-Fe/m	0150-3289
<b>MC01-R/f</b>	Motor Connector R/f	0150-3129
<b>MC01-D/f</b>	Motor Connector D/f	0150-3025
<b>K05-04/05</b>	Motor Cable per m	0150-1920
<b>KS05-04/05</b>	Trailing Chain Cable per m	0150-1938
<b>KR05-04/05</b>	Robot Cable per m	0150-1846



**MOTOR FLANGES**



Item	Description	Item-No.
<b>PF02-23x120</b>	Flange 23x120 mm	0150-2103
<b>PF02-23x170</b>	Flange 23x170 mm	0150-2117

FIND MORE PRODUCT DETAILS IN THE CHAPTER "ACCESSORIES".

**FANS**



Item	Description	Item-No.
<b>HV01-23</b>	Fan cooling for H01-23 and PF02-23	0150-5050

FIND MORE PRODUCT DETAILS IN THE CHAPTER "ACCESSORIES".

**SLIDER MOUNTING**



Item	Description	Item-No.
<b>PLF01-12</b>	Fixed Bearing Set for 12 mm sliders	0150-3085
<b>PLF01-12-Ni</b>	Fixed Bearing Set for 12 mm sliders nickel-plated	0150-3573
<b>PLL02-12</b>	Floating Bearing for PL01-12 Sliders	0150-3111

FIND MORE PRODUCT DETAILS IN THE CHAPTER "ACCESSORIES".

**WIPERS**



Item	Description	Item-No.
PA01-23/12-F	Wiper front side for PS01-23x...	0150-3125

FIND MORE PRODUCT DETAILS IN THE CHAPTER "ACCESSORIES".

**EXTERNAL POSITION SENSORS**



Item	Description	Item-No.
MS01-1/D	Linear Encoder 1µm, A/B (for incremental strip)	0150-1840
MB01-1000	Magnetic incremental strip for MS01-1/D, per cm	0150-1963
KS025-D/D-Encoder	Encoder Cable (Length in m)	0150-3166
KS025-D/D15-Encoder	Encoder Cable (Length in m)	0150-3168

FIND MORE PRODUCT DETAILS IN THE CHAPTER "ACCESSORIES".



Item	Description	Item-No.
MS01-1/D-SSI	Linear Encoder 1µm, A/B (for absolute strip)	0150-2095
MB01-1000-ABS	Magnetic absolute strip for MS01-1/D-SSI (per cm)	0150-2096
EC01-ABS/ENC-12-S	Magnetic absolute strip for MS01-1/D-SSI (per cm)	0150-3616
KSS01-12-D15/ABS-ENC	Special cable for MS01-1/D-SSI on C1100/C1200/C1400/E1200/E1400 Drives	0150-3652

FIND MORE PRODUCT DETAILS IN THE CHAPTER "ACCESSORIES".

# LINEAR MOTORS P01-23x160H-HP



- ✓ Higher maximum peak force and acceleration
- ✓ Increased continuous force and acceleration
- ✓ Higher permissible operating temperatures with less self-heating
- ✓ Wide range of applications in handling modules as well as in plant and machine construction

## LINEAR MOTORS P01-23x160H-HP

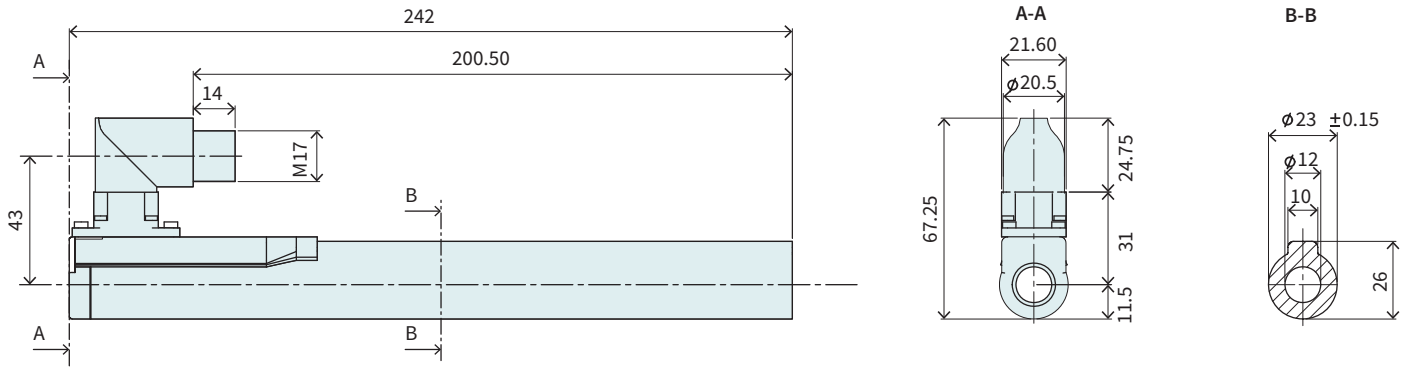
<b>Technical Data</b> .....	<b>155</b>
<b>Motor Specifications</b>	
P01-23x160H/20x160-HP .....	<b>158</b>
P01-23x160H/60x200-HP .....	<b>159</b>
P01-23x160H/80x220-HP .....	<b>160</b>
P01-23x160H/140x280-HP .....	<b>161</b>
P01-23x160H/210x350-HP .....	<b>162</b>
P01-23x160H/270x410-HP .....	<b>163</b>
P01-23x160H/370x510-HP .....	<b>164</b>
P01-23x160H/550x690-HP .....	<b>165</b>
P01-23x160H/640x780-HP .....	<b>166</b>
<b>Linear Guides</b> .....	<b>167</b>
<b>Accessories</b> .....	<b>168</b>



### MOTOR FAMILY P01-23x160H-HP

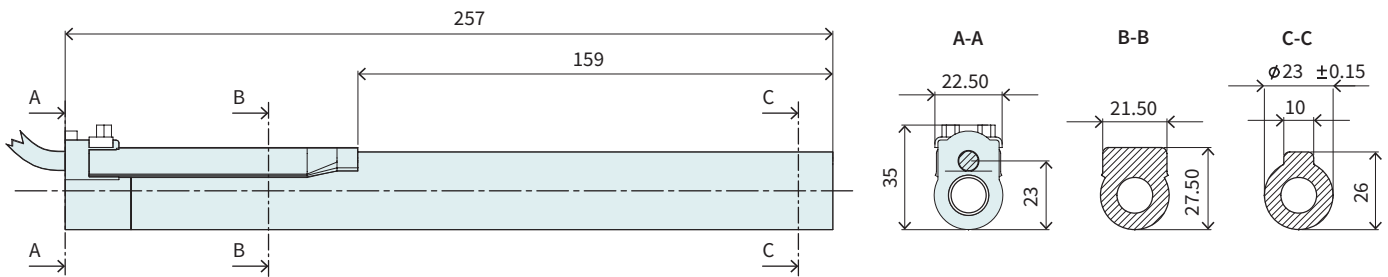
Technical Data				
<b>Stroke</b>				
Standard Stroke (SS)	mm	(in)	≤ 640	(≤ 25.19)
Extended Stroke (ES)	mm	(in)	≤ 780	(≤ 30.69)
<b>Force</b>				
Max. Force @ 48VDC	N	(lbf)	126	(28.3)
Max. Force @ 72VDC	N	(lbf)	138	(31)
Max. Cont. Force [Passive cooling/ Fan / Fluid]	N	(lbf)	30 / 46 / -	(6.7 / 10 / -)
Max. Border Force relative	%		≤ 56	
Force Constant	N/A <sub>pk</sub>	(lbf/A <sub>pk</sub> )	12.5	(2.82)
<b>Velocity</b>				
Max. Velocity @ 48VDC	m/s	(in/s)	3.4	(139.9)
Max. Velocity @ 72VDC	m/s	(in/s)	5.2	(209.9)
<b>Position Detection</b>				
Position Resolution	mm	(in)	0.002	(0.0001)
Repeatability	mm	(in)	±0.05	(±0.002)
Position Resolution with ES	mm	(in)	0.001	(0.00004)
Repeatability with ES	mm	(in)	±0.01	(±0.0004)
Linearity with ES	mm	(in)	±0.01	(±0.0004)
<b>Electrical Data</b>				
Max. Current @ 48VDC	A <sub>pk</sub>		10	
Max. Current @ 72VDC	A <sub>pk</sub>		10.9	
Max. Cont. Current [Passive cooling / Fan / Fluid]	A <sub>pk</sub>		2.4 / 3.6 / -	
Terminal Resistance 25 °C / 150 °C	Ohm		3.9 / 5.7	
Terminal Inductivity	mH		0.54	
Magnetic Period	mm	(in)	20	(0.78)
<b>Thermal Data</b>				
Max. Winding Temperature (Sensor)	°C		120	
Thermal Resistance [Passive cooling / Fan / Fluid]	°K/W		2.6 / 1.1 / -	
Thermal Time Constant [Passive cooling / Fan / Fluid]	s		510 / 220 / -	
<b>Mechanical Data</b>				
Stator Diameter	mm	(in)	23	(0.91)
Stator Length [Connector type / Cable type]	mm	(in)	242 / 257	(9.5 / 10)
Stator Mass	g	(lb)	450	(1.0)
Slider Diameter	mm	(in)	12	(0.47)
Slider Length	mm	(in)	230 - 850	(9.1 - 33)
Slider Mass	g	(lb)	180 - 700	(0.4 - 1.54)
IP Code				IP 65

**STATOR CONNECTOR TYPE**



Item	Description	Item-No.
PS01-23x160H-HP-R	Stator HP with IP67 Connector M17/9(m)	0150-1254

**STATOR CABLE TYPE**

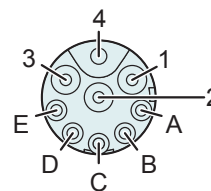


Item	Description	Item-No.
PS01-23x160H-HP-R20	Stator HP, 0.2m Cable, IP67 St. M17/9(m)	0150-1255

**CONNECTOR**

Motor Connector Wiring	PS01-23x160H-HP-R PS01-23x160H-HP-R20	Wire color motor cable
	R-Connector	
Ph 1+	1	red
Ph 1-	2	pink
Ph 2+	3	blue
Ph 2-	4	grey
+5VDC	A	white
GND	B	inner shield
Sin	C	yellow
Cos	D	green
Temp.	E	black
Shield	Housing	outer Shield

**R-Connector**

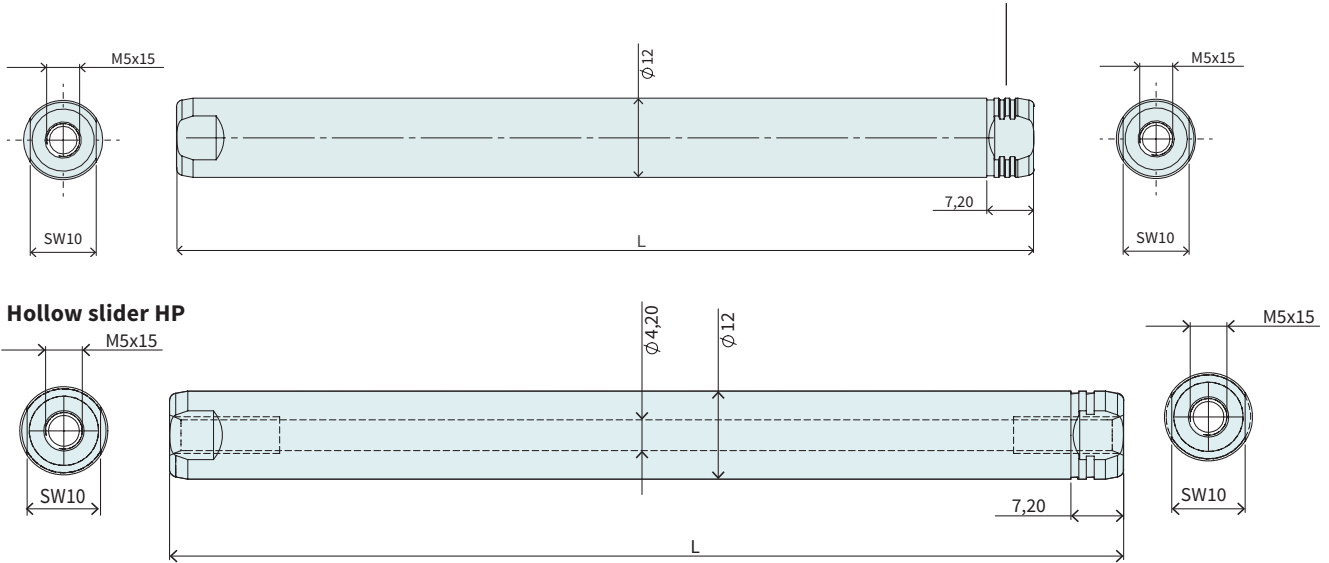


View: Motor Connector, plug side

**SLIDER**

**Slider HP / Heavy Duty HP**

Number of grooves determines the slider type (see chapter 2 / slider) and marks the front end.



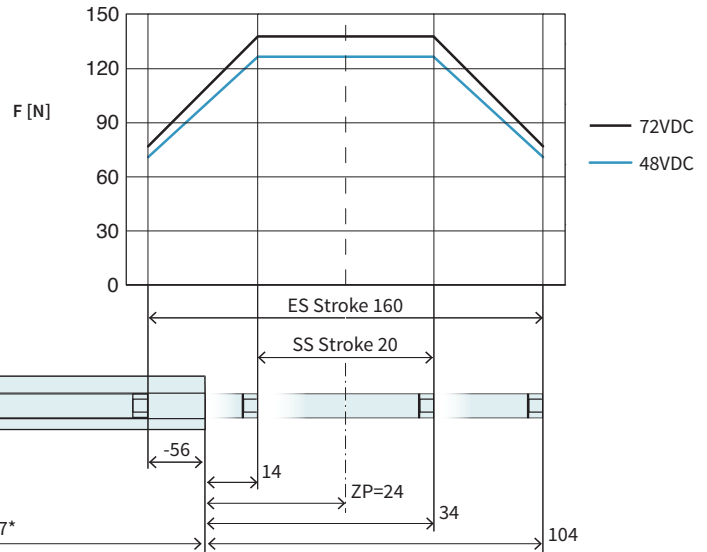
Slider High Performance				
Item	Description	Max. Stroke [mm]	Standard Stroke [mm]	Item-No.
PL01-12x230/190-HP	Slider 'High Performance'	160	20	0150-1519
PL01-12x270/230-HP	Slider 'High Performance'	200	60	0150-1520
PL01-12x290/250-HP	Slider 'High Performance'	220	80	0150-1521
PL01-12x350/310-HP	Slider 'High Performance'	280	140	0150-1522
PL01-12x420/380-HP	Slider 'High Performance'	350	210	0150-1523
PL01-12x480/440-HP	Slider 'High Performance'	410	270	0150-1524
PL01-12x580/540-HP	Slider 'High Performance'	510	370	0150-1525
PL01-12x760/720-HP	Slider 'High Performance'	690	550	0150-1526
PL01-12x850/810-HP	Slider 'High Performance'	780	640	0150-1527

Slider Heavy Duty High Performance				
Item	Description	Max. Stroke [mm]	Standard Stroke [mm]	Item-No.
PL02-12x230/190-HP	Slider 'heavy duty' 'High Performance'	160	20	0150-1552
PL02-12x270/230-HP	Slider 'heavy duty' 'High Performance'	200	60	0150-1533
PL02-12x290/250-HP	Slider 'heavy duty' 'High Performance'	220	80	0150-1495
PL02-12x350/310-HP	Slider 'heavy duty' 'High Performance'	280	140	0150-1555
PL02-12x420/380-HP	Slider 'heavy duty' 'High Performance'	350	210	0150-1554
PL02-12x480/440-HP	Slider 'heavy duty' 'High Performance'	410	270	0150-2519
PL02-12x580/540-HP	Slider 'heavy duty' 'High Performance'	510	370	0150-2520
PL02-12x760/720-HP	Slider 'heavy duty' 'High Performance'	690	550	0150-2521
PL02-12x850/810-HP	Slider 'heavy duty' 'High Performance'	780	640	0150-2516

Hollow slider High Performance				
Item	Description	Max. Stroke [mm]	Standard Stroke [mm]	Item-No.
PL01-12x230/190-HP-L	Slider 'High Performance L'	160	20	0150-2546
PL01-12x270/230-HP-L	Slider 'High Performance L'	200	60	0150-2557
PL01-12x290/250-HP-L	Slider 'High Performance L'	220	80	0150-3690
PL01-12x350/310-HP-L	Slider 'High Performance L'	280	140	0150-3691
PL01-12x420/380-HP-L	Slider 'High Performance L'	350	210	0150-3692
PL01-12x480/440-HP-L	Slider 'High Performance L'	410	270	0150-3693
PL01-12x580/540-HP-L	Slider 'High Performance L'	510	370	0150-3694
PL01-12x760/720-HP-L	Slider 'High Performance L'	690	550	0150-3695
PL01-12x850/810-HP-L	Slider 'High Performance L'	780	640	on request

**P01-23x160H/20x160-HP**

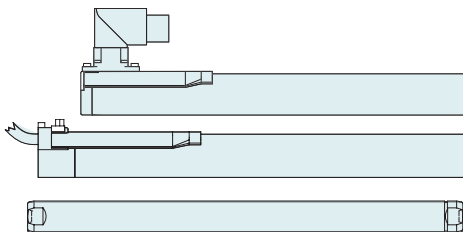
**Max. Stroke:** 160 mm  
**Peak Force:** 138 N



Dimensions in mm  
 \*Cable Type

Technical Data P01-23x160H/20x160-HP

Stroke			
Standard Stroke (SS)	mm (in)		20 (0.78)
Extended Stroke (ES)	mm (in)		160 (6.29)
Force			
Max. Force @ 48VDC	N (lbf)		126 (28.3)
Max. Force @ 72VDC	N (lbf)		138 (31)
Max. Cont. Force [Passive cooling / Fan / Fluid]	N (lbf)		30 / 46 / - (6.7 / 10 / -)
Max. Border Force relative	%		56
Force Constant	N/A <sub>pk</sub> (lbf/A <sub>pk</sub> )		12.5 (2.82)
Velocity			
Max. Velocity @ 48VDC	m/s (in/s)		3.4 (139.9)
Max. Velocity @ 72VDC	m/s (in/s)		5.2 (209.9)
Position Detection			
Repeatability	mm (in)		±0.05 (±0.002)
Linearity	%		± 0.25
Electrical Data			
Max. Current @ 48VDC	A <sub>pk</sub>		10
Max. Current @ 72VDC	A <sub>pk</sub>		10.9
Max. Cont. Current [Passive cooling / Fan / Fluid]	A <sub>pk</sub>		2.4 / 3.6 / -
Thermal Data			
Max. Winding Temperature (Sensor)	°C		120
Thermal Resistance [Passive cooling / Fan / Fluid]	°K/W		2.6 / 1.1 / -
Thermal Time Constant [Passive cooling / Fan / Fluid]	s		510 / 220 / -
Mechanical Data			
Slider Length	mm (in)		230 (9.1)
Slider Mass	g (lb)		180 (0.4)



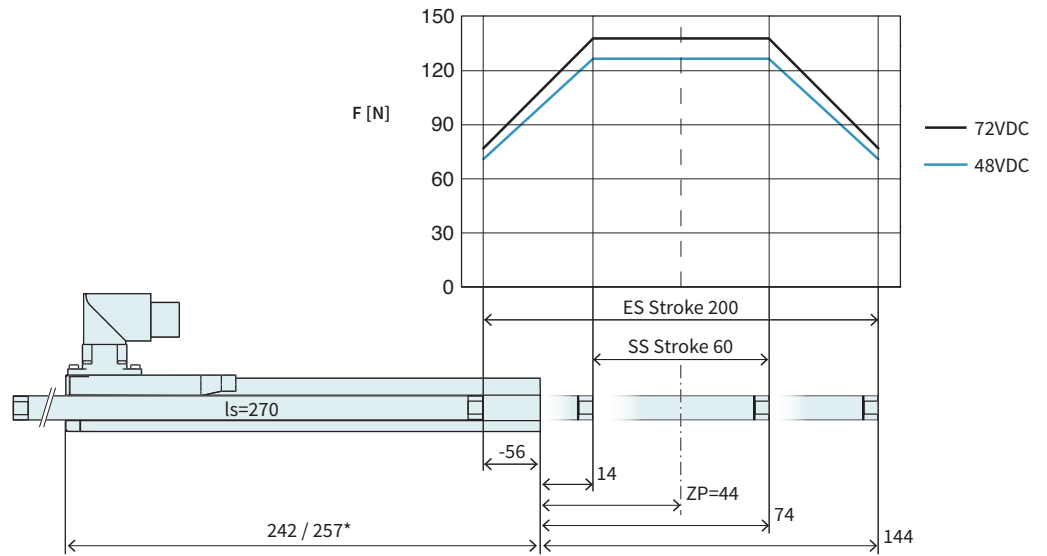
Item	Description	Item-No.
<b>PS01-23x160H-HP-R</b>	Stator HP with IP67 Connector M17/9(m)	0150-1254
<b>PS01-23x160H-HP-R20</b>	Stator HP, 0.2m Cable, IP67 St. M17/9(m)	0150-1255
<b>PL01-12x230/190-HP</b>	Slider 'High Performance'	0150-1519
<b>PL02-12x230/190-HP</b>	Slider 'heavy duty' 'High Performance'	0150-1552
<b>PL01-12x230/190-HP-L*</b>	Slider 'High Performance L'	0150-2546

\* With this slider, the motor specifications above change.



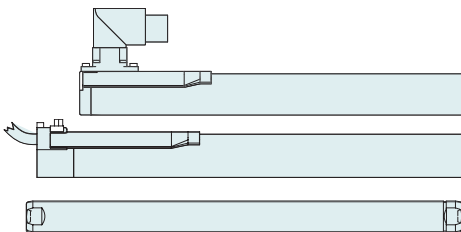
**P01-23x160H/60x200-HP**

**Max. Stroke:** 200 mm  
**Peak Force:** 138 N



Dimensions in mm  
 \*Cable Type

Technical Data P01-23x160H/60x200-HP				
<b>Stroke</b>				
Standard Stroke (SS)	mm (in)		60 (2.35)	
Extended Stroke (ES)	mm (in)		200 (7.86)	
<b>Force</b>				
Max. Force @ 48VDC	N (lbf)		126 (28.3)	
Max. Force @ 72VDC	N (lbf)		138 (31)	
Max. Cont. Force [Passive cooling / Fan / Fluid]	N (lbf)		30 / 46 / - (6.7 / 10 / -)	
Max. Border Force relative	%		56	
Force Constant	N/A <sub>pk</sub> (lbf/A <sub>pk</sub> )		12.5 (2.82)	
<b>Velocity</b>				
Max. Velocity @ 48VDC	m/s (in/s)		3.4 (139.9)	
Max. Velocity @ 72VDC	m/s (in/s)		5.2 (209.9)	
<b>Position Detection</b>				
Repeatability	mm (in)		±0.05 (±0.002)	
Linearity	%		± 0.2	
<b>Electrical Data</b>				
Max. Current @ 48VDC	A <sub>pk</sub>		10	
Max. Current @ 72VDC	A <sub>pk</sub>		10.9	
Max. Cont. Current [Passive cooling / Fan / Fluid]	A <sub>pk</sub>		2.4 / 3.6 / -	
<b>Thermal Data</b>				
Max. Winding Temperature (Sensor)	°C		120	
Thermal Resistance [Passive cooling / Fan / Fluid]	°K/W		2.6 / 1.1 / -	
Thermal Time Constant [Passive cooling / Fan / Fluid]	s		510 / 220 / -	
<b>Mechanical Data</b>				
Slider Length	mm (in)		270 (11)	
Slider Mass	g (lb)		215 (0.47)	

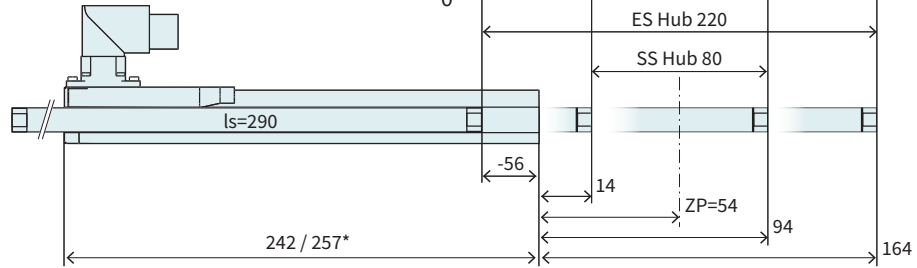
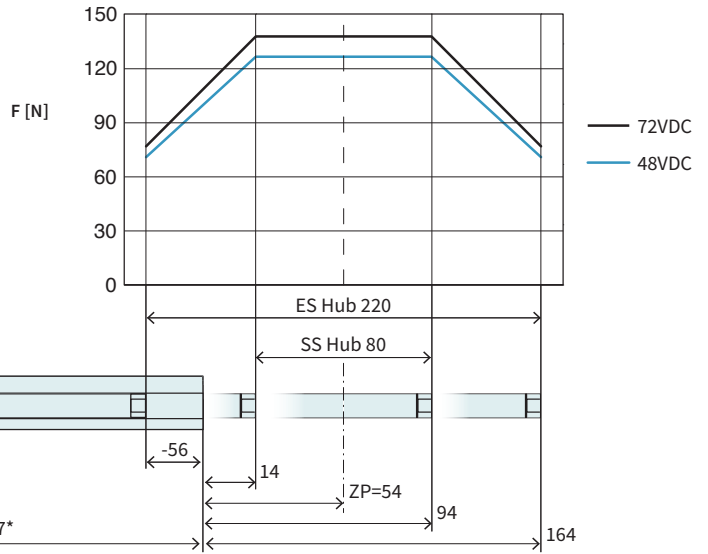


Item	Description	Item-No.
<b>PS01-23x160H-HP-R</b>	Stator HP with IP67 Connector M17/9(m)	0150-1254
<b>PS01-23x160H-HP-R20</b>	Stator HP, 0.2m Cable, IP67 St. M17/9(m)	0150-1255
<b>PL01-12x270/230-HP</b>	Slider 'High Performance'	0150-1520
<b>PL02-12x270/230-HP</b>	Slider 'heavy duty' 'High Performance'	0150-1533
<b>PL01-12x270/230-HP-L*</b>	Slider 'High Performance L'	0150-2557

\* With this slider, the motor specifications above change.

**P01-23x160H/80x220-HP**

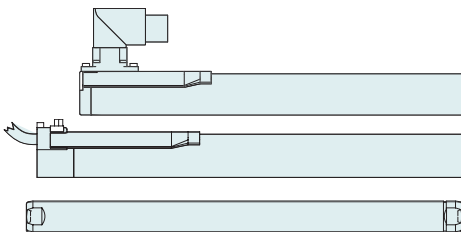
**Max. Stroke:** 220 mm  
**Peak Force:** 138 N



Dimensions in mm  
 \*Cable Type

Technical Data P01-23x160H/80x220-HP

Stroke			
Standard Stroke (SS)	mm (in)		80 (3.14)
Extended Stroke (ES)	mm (in)		220 (8.65)
Force			
Max. Force @ 48VDC	N (lbf)		126 (28.3)
Max. Force @ 72VDC	N (lbf)		138 (31)
Max. Cont. Force [Passive cooling/ Fan / Fluid]	N (lbf)		30 / 46 / - (6.7 / 10 / -)
Max. Border Force relative	%		56
Force Constant	N/A <sub>pk</sub> (lbf/A <sub>pk</sub> )		12.5 (2.82)
Velocity			
Max. Velocity @ 48VDC	m/s (in/s)		3.4 (139.9)
Max. Velocity @ 72VDC	m/s (in/s)		5.2 (209.9)
Position Detection			
Repeatability	mm (in)		±0.05 (±0.002)
Linearity	%		± 0.2
Electrical Data			
Max. Current @ 48VDC	A <sub>pk</sub>		10
Max. Current @ 72VDC	A <sub>pk</sub>		10.9
Max. Cont. Current [Passive cooling/ Fan / Fluid]	A <sub>pk</sub>		2.4 / 3.6 / -
Thermal Data			
Max. Winding Temperature (Sensor)	°C		120
Thermal Resistance [Passive cooling/ Fan / Fluid]	°K/W		2.6 / 1.1 / -
Thermal Time Constant [Passive cooling/ Fan / Fluid]	s		510 / 220 / -
Mechanical Data			
Slider Length	mm (in)		290 (11)
Slider Mass	g (lb)		230 (0.51)

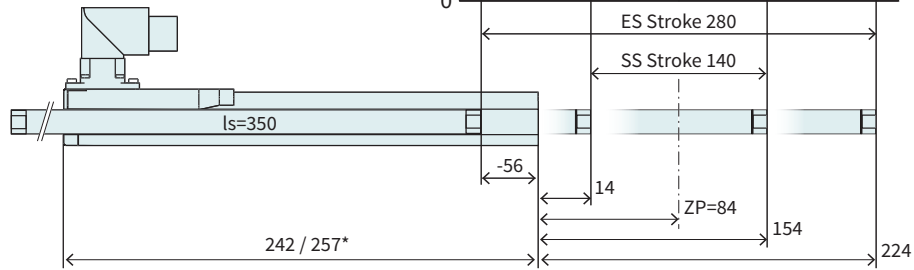
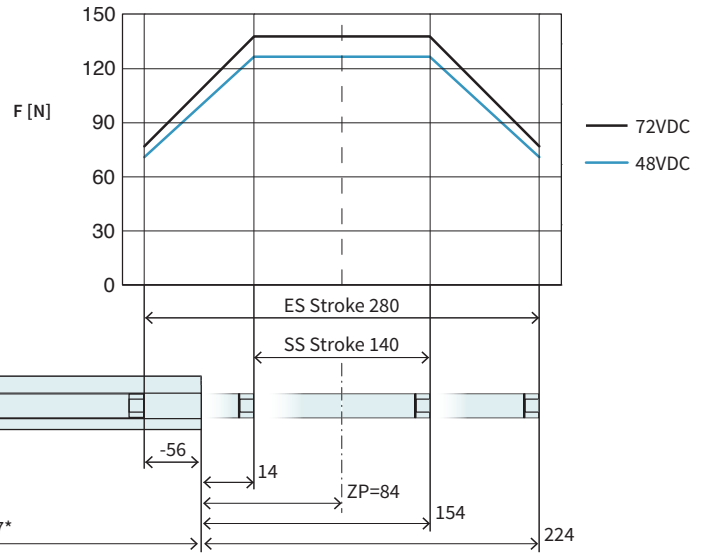


Item	Description	Item-No.
<b>PS01-23x160H-HP-R</b>	Stator HP with IP67 Connector M17/9(m)	0150-1254
<b>PS01-23x160H-HP-R20</b>	Stator HP, 0.2m Cable, IP67 St. M17/9(m)	0150-1255
<b>PL01-12x290/250-HP</b>	Slider 'High Performance'	0150-1521
<b>PL02-12x290/250-HP</b>	Slider 'heavy duty' 'High Performance'	0150-1495
<b>PL01-12x290/250-HP-L*</b>	Slider 'High Performance L'	0150-3690

\* With this slider, the motor specifications above change.

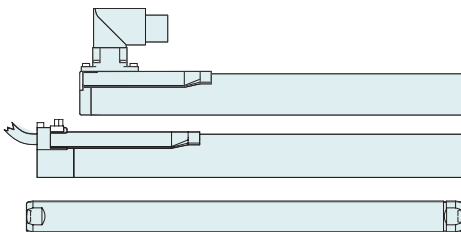
**P01-23x160H/140x280-HP**

**Max. Stroke:** 280 mm  
**Peak Force:** 138 N



Dimensions in mm  
 \*Cable Type

Technical Data P01-23x160H/140x280-HP			
<b>Stroke</b>			
Standard Stroke (SS)	mm (in)	140	(5.5)
Extended Stroke (ES)	mm (in)	280	(10.99)
<b>Force</b>			
Max. Force @ 48VDC	N (lbf)	126	(28.3)
Max. Force @ 72VDC	N (lbf)	138	(31)
Max. Cont. Force [Passive cooling / Fan / Fluid]	N (lbf)	30 / 46 / -	(6.7 / 10 / -)
Max. Border Force relative	%	56	
Force Constant	N/A <sub>pk</sub> (lbf/A <sub>pk</sub> )	12.5	(2.82)
<b>Velocity</b>			
Max. Velocity @ 48VDC	m/s (in/s)	3.4	(139.9)
Max. Velocity @ 72VDC	m/s (in/s)	5.2	(209.9)
<b>Position Detection</b>			
Repeatability	mm (in)	±0.05	(±0.002)
Linearity	%	± 0.2	
<b>Electrical Data</b>			
Max. Current @ 48VDC	A <sub>pk</sub>	10	
Max. Current @ 72VDC	A <sub>pk</sub>	10.9	
Max. Cont. Current [Passive cooling / Fan / Fluid]	A <sub>pk</sub>	2.4 / 3.6 / -	
<b>Thermal Data</b>			
Max. Winding Temperature (Sensor)	°C	120	
Thermal Resistance [Passive cooling / Fan / Fluid]	°K/W	2.6 / 1.1 / -	
Thermal Time Constant [Passive cooling / Fan / Fluid]	s	510 / 220 / -	
<b>Mechanical Data</b>			
Slider Length	mm (in)	350	(14)
Slider Mass	g (lb)	280	(0.62)

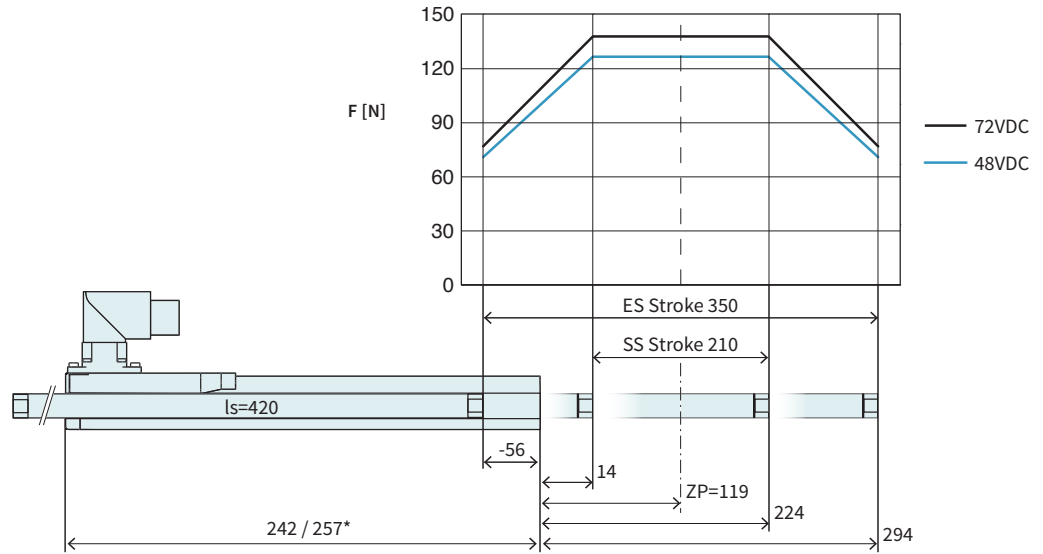


Item	Description	Item-No.
<b>PS01-23x160H-HP-R</b>	Stator HP with IP67 Connector M17/9(m)	0150-1254
<b>PS01-23x160H-HP-R20</b>	Stator HP, 0,2m Cable, IP67 St. M17/9(m)	0150-1255
<b>PL01-12x350/310-HP</b>	Slider 'High Performance'	0150-1522
<b>PL02-12x350/310-HP</b>	Slider 'heavy duty' 'High Performance'	0150-1555
<b>PL01-12x350/310-HP-L*</b>	Slider 'High Performance L'	0150-3691

\* With this slider, the motor specifications above change.

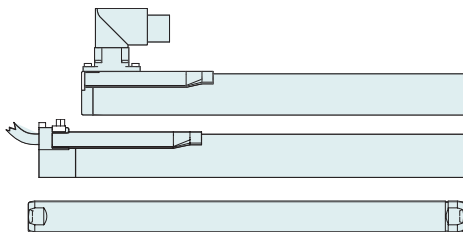
**P01-23x160H/210x350-HP**

**Max. Stroke:** 350 mm  
**Peak Force:** 138 N



Dimensions in mm  
 \*Cable Type

Technical Data P01-23x160H/210x350-HP				
<b>Stroke</b>				
Standard Stroke (SS)	mm (in)		210	(8.26)
Extended Stroke (ES)	mm (in)		350	(13.8)
<b>Force</b>				
Max. Force @ 48VDC	N (lbf)		126	(28.3)
Max. Force @ 72VDC	N (lbf)		138	(31)
Max. Cont. Force [Passive cooling / Fan / Fluid]	N (lbf)		30 / 46 / -	(6.7 / 10 / -)
Max. Border Force relative	%		56	
Force Constant	N/A <sub>pk</sub> (lbf/A <sub>pk</sub> )		12.5	(2.82)
<b>Velocity</b>				
Max. Velocity @ 48VDC	m/s (in/s)		3.4	(139.9)
Max. Velocity @ 72VDC	m/s (in/s)		5.2	(209.9)
<b>Position Detection</b>				
Repeatability	mm (in)		±0.05	(±0.002)
Linearity	%		± 0.15	
<b>Electrical Data</b>				
Max. Current @ 48VDC	A <sub>pk</sub>		10	
Max. Current @ 72VDC	A <sub>pk</sub>		10.9	
Max. Cont. Current [Passive cooling / Fan / Fluid]	A <sub>pk</sub>		2.4 / 3.6 / -	
<b>Thermal Data</b>				
Max. Winding Temperature (Sensor)	°C		120	
Thermal Resistance [Passive cooling / Fan / Fluid]	°K/W		2.6 / 1.1 / -	
Thermal Time Constant [Passive cooling / Fan / Fluid]	s		510 / 220 / -	
<b>Mechanical Data</b>				
Slider Length	mm (in)		420	(17)
Slider Mass	g (lb)		340	(0.75)

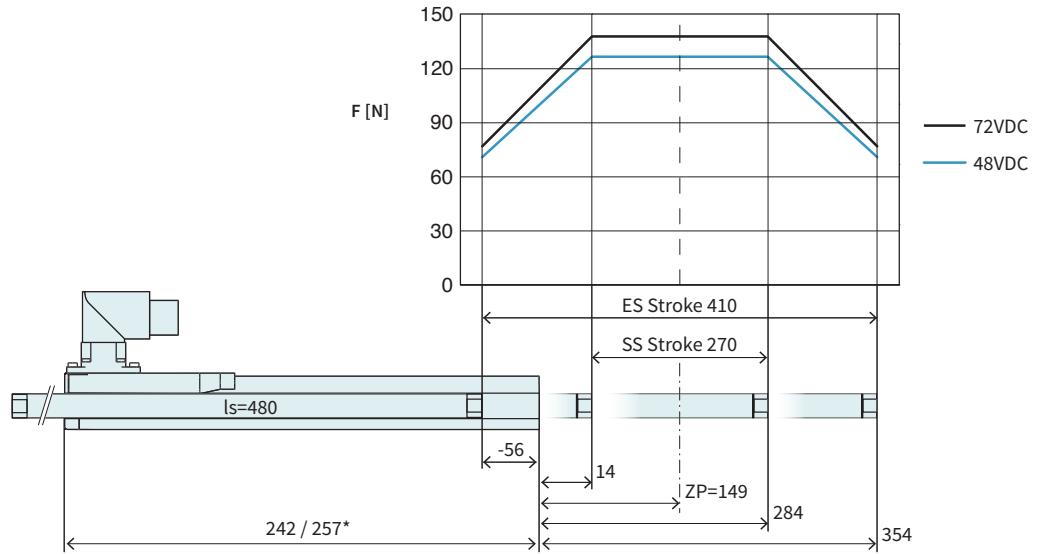


Item	Description	Item-No.
<b>PS01-23x160H-HP-R</b>	Stator HP with IP67 Connector M17/9(m)	0150-1254
<b>PS01-23x160H-HP-R20</b>	Stator HP, 0.2m Cable, IP67 St. M17/9(m)	0150-1255
<b>PL01-12x420/380-HP</b>	Slider 'High Performance'	0150-1523
<b>PL02-12x420/380-HP</b>	Slider 'heavy duty' 'High Performance'	0150-1554
<b>PL01-12x420/380-HP-L*</b>	Slider 'High Performance L'	0150-3692

\* With this slider, the motor specifications above change.

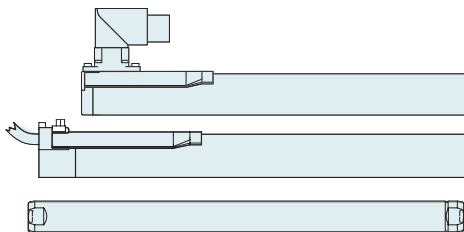
**P01-23x160H/270x410-HP**

**Max. Stroke:** 410 mm  
**Peak Force:** 138 N



Dimensions in mm  
 \*Cable Type

Technical Data P01-23x160H/270x410-HP			
<b>Stroke</b>			
Standard Stroke (SS)	mm (in)	270	(10.59)
Extended Stroke (ES)	mm (in)	410	(16.1)
<b>Force</b>			
Max. Force @ 48VDC	N (lbf)	126	(28.3)
Max. Force @ 72VDC	N (lbf)	138	(31)
Max. Cont. Force [Passive cooling / Fan / Fluid]	N (lbf)	30 / 46 / -	(6.7 / 10 / -)
Max. Border Force relative	%	56	
Force Constant	N/A <sub>pk</sub> (lbf/A <sub>pk</sub> )	12.5	(2.82)
<b>Velocity</b>			
Max. Velocity @ 48VDC	m/s (in/s)	3.4	(139.9)
Max. Velocity @ 72VDC	m/s (in/s)	5.2	(209.9)
<b>Position Detection</b>			
Repeatability	mm (in)	±0.05	(±0.002)
Linearity	%	±0.15	
<b>Electrical Data</b>			
Max. Current @ 48VDC	A <sub>pk</sub>	10	
Max. Current @ 72VDC	A <sub>pk</sub>	10.9	
Max. Cont. Current [Passive cooling / Fan / Fluid]	A <sub>pk</sub>	2.4 / 3.6 / -	
<b>Thermal Data</b>			
Max. Winding Temperature (Sensor)	°C	120	
Thermal Resistance [Passive cooling / Fan / Fluid]	°K/W	2.6 / 1.1 / -	
Thermal Time Constant [Passive cooling / Fan / Fluid]	s	510 / 220 / -	
<b>Mechanical Data</b>			
Slider Length	mm (in)	480	(19)
Slider Mass	g (lb)	390	(0.86)

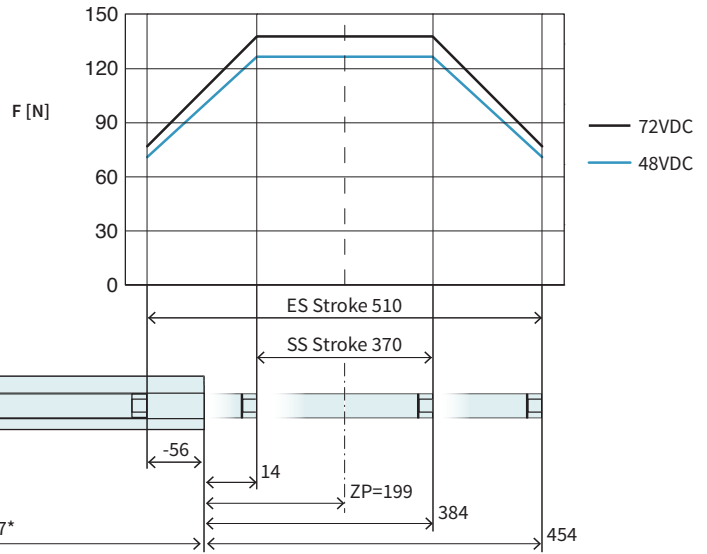


Item	Description	Item-No.
<b>PS01-23x160H-HP-R</b>	Stator HP with IP67 Connector M17/9(m)	0150-1254
<b>PS01-23x160H-HP-R20</b>	Stator HP, 0.2m Cable, IP67 St. M17/9(m)	0150-1255
<b>PL01-12x480/440-HP</b>	Slider 'High Performance'	0150-1524
<b>PL02-12x480/440-HP</b>	Slider 'heavy duty' 'High Performance'	0150-2519
<b>PL01-12x480/440-HP-L*</b>	Slider 'High Performance L'	0150-3693

\* With this slider, the motor specifications above change.

**P01-23x160H/370x510-HP**

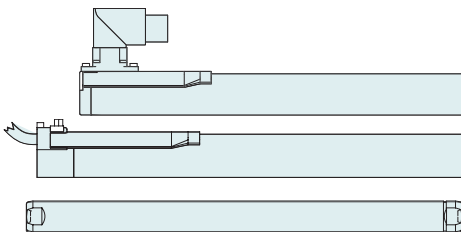
**Max. Stroke:** 510 mm  
**Peak Force:** 138 N



Dimensions in mm  
 \*Cable Type

Technical Data P01-23x160H/370x510-HP

Stroke			
Standard Stroke (SS)	mm (in)		370 (14.59)
Extended Stroke (ES)	mm (in)		510 (20.1)
Force			
Max. Force @ 48VDC	N (lbf)		126 (28.3)
Max. Force @ 72VDC	N (lbf)		138 (31)
Max. Cont. Force [Passive cooling / Fan / Fluid]	N (lbf)		30 / 46 / - (6.7 / 10 / -)
Max. Border Force relative	%		56
Force Constant	N/A <sub>pk</sub> (lbf/A <sub>pk</sub> )		12.5 (2.82)
Velocity			
Max. Velocity @ 48VDC	m/s (in/s)		3.4 (139.9)
Max. Velocity @ 72VDC	m/s (in/s)		5.2 (209.9)
Position Detection			
Repeatability	mm (in)		±0.05 (±0.002)
Linearity	%		± 0.15
Electrical Data			
Max. Current @ 48VDC	A <sub>pk</sub>		10
Max. Current @ 72VDC	A <sub>pk</sub>		10.9
Max. Cont. Current [Passive cooling / Fan / Fluid]	A <sub>pk</sub>		2.4 / 3.6 / -
Thermal Data			
Max. Winding Temperature (Sensor)	°C		120
Thermal Resistance [Passive cooling / Fan / Fluid]	°K/W		2.6 / 1.1 / -
Thermal Time Constant [Passive cooling / Fan / Fluid]	s		510 / 220 / -
Mechanical Data			
Slider Length	mm (in)		580 (23)
Slider Mass	g (lb)		480 (1.06)

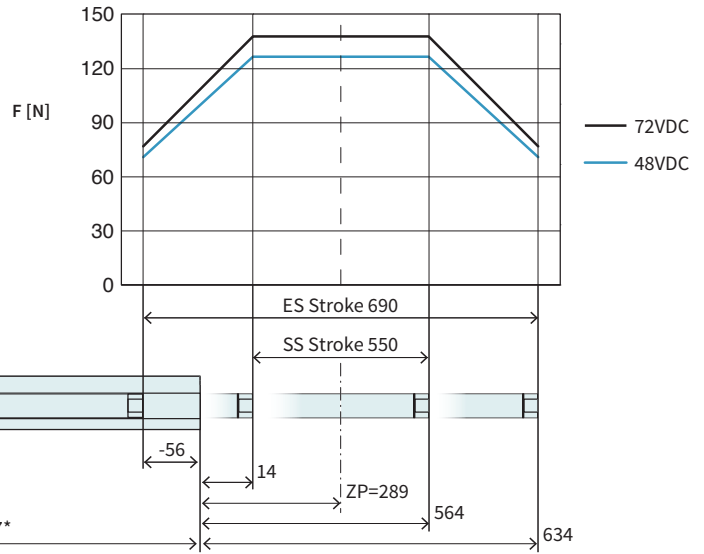


Item	Description	Item-No.
<b>PS01-23x160H-HP-R</b>	Stator HP with IP67 Connector M17/9(m)	0150-1254
<b>PS01-23x160H-HP-R20</b>	Stator HP, 0.2m Cable, IP67 St. M17/9(m)	0150-1255
<b>PL01-12x580/540-HP</b>	Slider 'High Performance'	0150-1525
<b>PL02-12x580/540-HP</b>	Slider 'heavy duty' 'High Performance'	0150-2520
<b>PL01-12x580/540-HP-L*</b>	Slider 'High Performance L'	0150-3694

\* With this slider, the motor specifications above change.

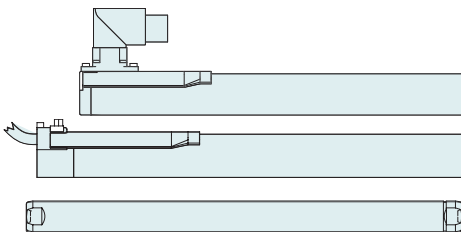
**P01-23x160H/550x690-HP**

**Max. Stroke:** 690 mm  
**Peak Force:** 138 N



Dimensions in mm  
 \*Cable Type

Technical Data P01-23x160H/550x690-HP			
<b>Stroke</b>			
Standard Stroke (SS)	mm (in)	550	(21.69)
Extended Stroke (ES)	mm (in)	690	(27.19)
<b>Force</b>			
Max. Force @ 48VDC	N (lbf)	126	(28.3)
Max. Force @ 72VDC	N (lbf)	138	(31)
Max. Cont. Force [Passive cooling / Fan / Fluid]	N (lbf)	30 / 46 / -	(6.7 / 10 / -)
Max. Border Force relative	%	56	
Force Constant	N/A <sub>pk</sub> (lbf/A <sub>pk</sub> )	12.5	(2.82)
<b>Velocity</b>			
Max. Velocity @ 48VDC	m/s (in/s)	3.4	(139.9)
Max. Velocity @ 72VDC	m/s (in/s)	5.2	(209.9)
<b>Position Detection</b>			
Repeatability	mm (in)	±0.05	(±0.002)
Linearity	%	± 0.15	
<b>Electrical Data</b>			
Max. Current @ 48VDC	A <sub>pk</sub>	10	
Max. Current @ 72VDC	A <sub>pk</sub>	10.9	
Max. Cont. Current [Passive cooling / Fan / Fluid]	A <sub>pk</sub>	2.4 / 3.6 / -	
<b>Thermal Data</b>			
Max. Winding Temperature (Sensor)	°C	120	
Thermal Resistance [Passive cooling / Fan / Fluid]	°K/W	2.6 / 1.1 / -	
Thermal Time Constant [Passive cooling / Fan / Fluid]	s	510 / 220 / -	
<b>Mechanical Data</b>			
Slider Length	mm (in)	760	(30)
Slider Mass	g (lb)	630	(1.39)

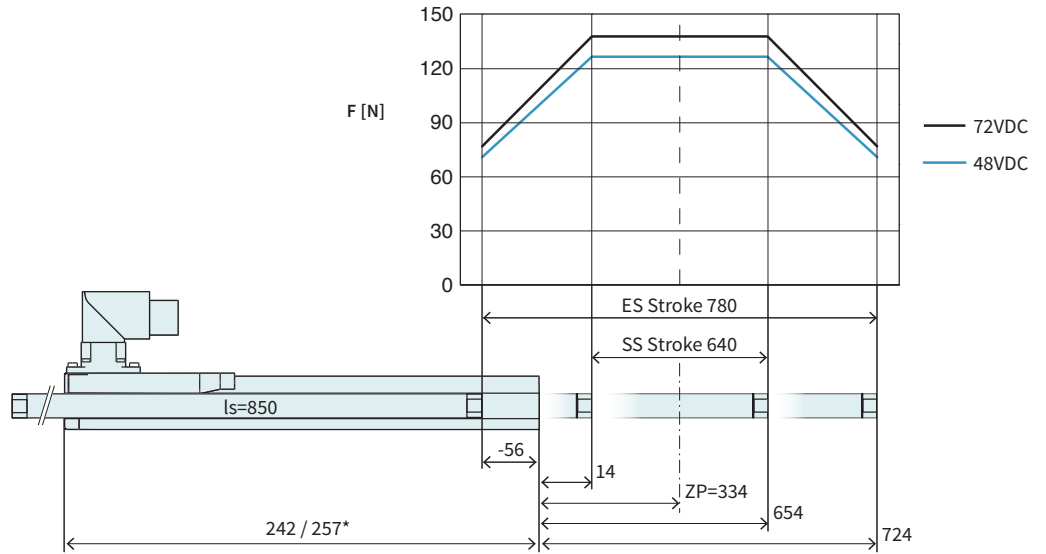


Item	Description	Item-No.
<b>PS01-23x160H-HP-R</b>	Stator HP with IP67 Connector M17/9(m)	0150-1254
<b>PS01-23x160H-HP-R20</b>	Stator HP, 0.2m Cable, IP67 St. M17/9(m)	0150-1255
<b>PL01-12x760/720-HP</b>	Slider 'High Performance'	0150-1526
<b>PL02-12x760/720-HP</b>	Slider 'heavy duty' 'High Performance'	0150-2521
<b>PL01-12x760/720-HP-L*</b>	Slider 'High Performance L'	0150-3695

\* With this slider, the motor specifications above change.

**P01-23x160H/640x780-HP**

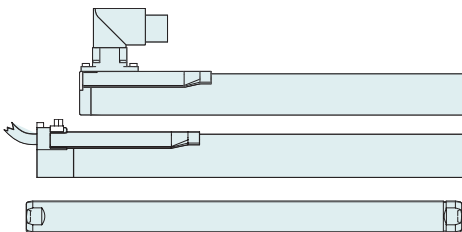
**Max. Stroke:** 780 mm  
**Peak Force:** 138 N



Dimensions in mm  
 \*Cable Type

Technical Data P01-23x160H/640x780-HP

Stroke			
Standard Stroke (SS)	mm	(in)	640 (25.19)
Extended Stroke (ES)	mm	(in)	780 (30.69)
Force			
Max. Force @ 48VDC	N	(lbf)	126 (28.3)
Max. Force @ 72VDC	N	(lbf)	138 (31)
Max. Cont. Force [Passive cooling / Fan / Fluid]	N	(lbf)	30 / 46 / - (6.7 / 10 / -)
Max. Border Force relative			% 56
Force Constant	N/A <sub>pk</sub>	(lbf/A <sub>pk</sub> )	12.5 (2.82)
Velocity			
Max. Velocity @ 48VDC	m/s	(in/s)	3.4 (139.9)
Max. Velocity @ 72VDC	m/s	(in/s)	5.2 (209.9)
Position Detection			
Repeatability	mm	(in)	±0.05 (±0.002)
Linearity			% ± 0.15
Electrical Data			
Max. Current @ 48VDC	A <sub>pk</sub>	10	
Max. Current @ 72VDC	A <sub>pk</sub>	10.9	
Max. Cont. Current [Passive cooling / Fan / Fluid]	A <sub>pk</sub>	2.4 / 3.6 / -	
Thermal Data			
Max. Winding Temperature (Sensor)	°C	120	
Thermal Resistance [Passive cooling / Fan / Fluid]	°K/W	2.6 / 1.1 / -	
Thermal Time Constant [Passive cooling / Fan / Fluid]	s	510 / 220 / -	
Mechanical Data			
Slider Length	mm	(in)	850 (33)
Slider Mass	g	(lb)	700 (1.54)



Item	Description	Item-No.
<b>PS01-23x160H-HP-R</b>	Stator HP with IP67 Connector M17/9(m)	0150-1254
<b>PS01-23x160H-HP-R20</b>	Stator HP, 0.2m Cable, IP67 St. M17/9(m)	0150-1255
<b>PL01-12x850/810-HP</b>	Slider 'High Performance'	0150-1527
<b>PL02-12x850/810-HP</b>	Slider 'heavy duty' 'High Performance'	0150-2516
<b>PL01-12x850/810-HP-L*</b>	Slider 'High Performance L'	on request

\* With this slider, the motor specifications above change.



**Linear Guides H01**



**HM01-23x160/80 | Linear Module 23x160 with 80 mm Stroke**

→	H-Guide	H01-23x166/80	H-Guide for P01-23x160, Stroke max 80mm	0150-5017
		H01-23x166/80-GF	H-Guide for P01-23x160, Stroke max 80mm	0150-5077
→	Stator	PS01-23x160H-HP-R	Stator HP with IP67 Connector M17/9(m)	0150-1254
		PS01-23x160H-HP-R20	Stator HP, 0.2m Cable, IP67 St. M17/9(m)	0150-1255
→	Slider	PL01-12x290/250-HP	Slider 'High Performance'	0150-1521

**HM01-23x160/180 | Linear Module 23x160 with 180 mm Stroke**

→	H-Guide	H01-23x166/180	H-Guide for P01-23x160, Stroke max 180mm	0150-5018
		H01-23x166/180-GF	H-Guide for P01-23x160, Stroke max 180mm	0150-5078
→	Stator	PS01-23x160H-HP-R	Stator HP with IP67 Connector M17/9(m)	0150-1254
		PS01-23x160H-HP-R20	Stator HP, 0.2m Cable, IP67 St. M17/9(m)	0150-1255
→	Slider	PL01-12x420/380-HP	Slider 'High Performance'	0150-1523

**HM01-23x160/280 | Linear Module 23x160 with 280 mm Stroke**

→	H-Guide	H01-23x166/280	H-Guide for P01-23x160, Stroke max 280mm	0150-5019
		H01-23x166/280-GF	H-Guide for P01-23x160, Stroke max 280mm	0150-5079
→	Stator	PS01-23x160H-HP-R	Stator HP with IP67 Connector M17/9(m)	0150-1254
		PS01-23x160H-HP-R20	Stator HP, 0.2m Cable, IP67 St. M17/9(m)	0150-1255
→	Slider	PL01-12x480/440-HP	Slider 'High Performance'	0150-1524

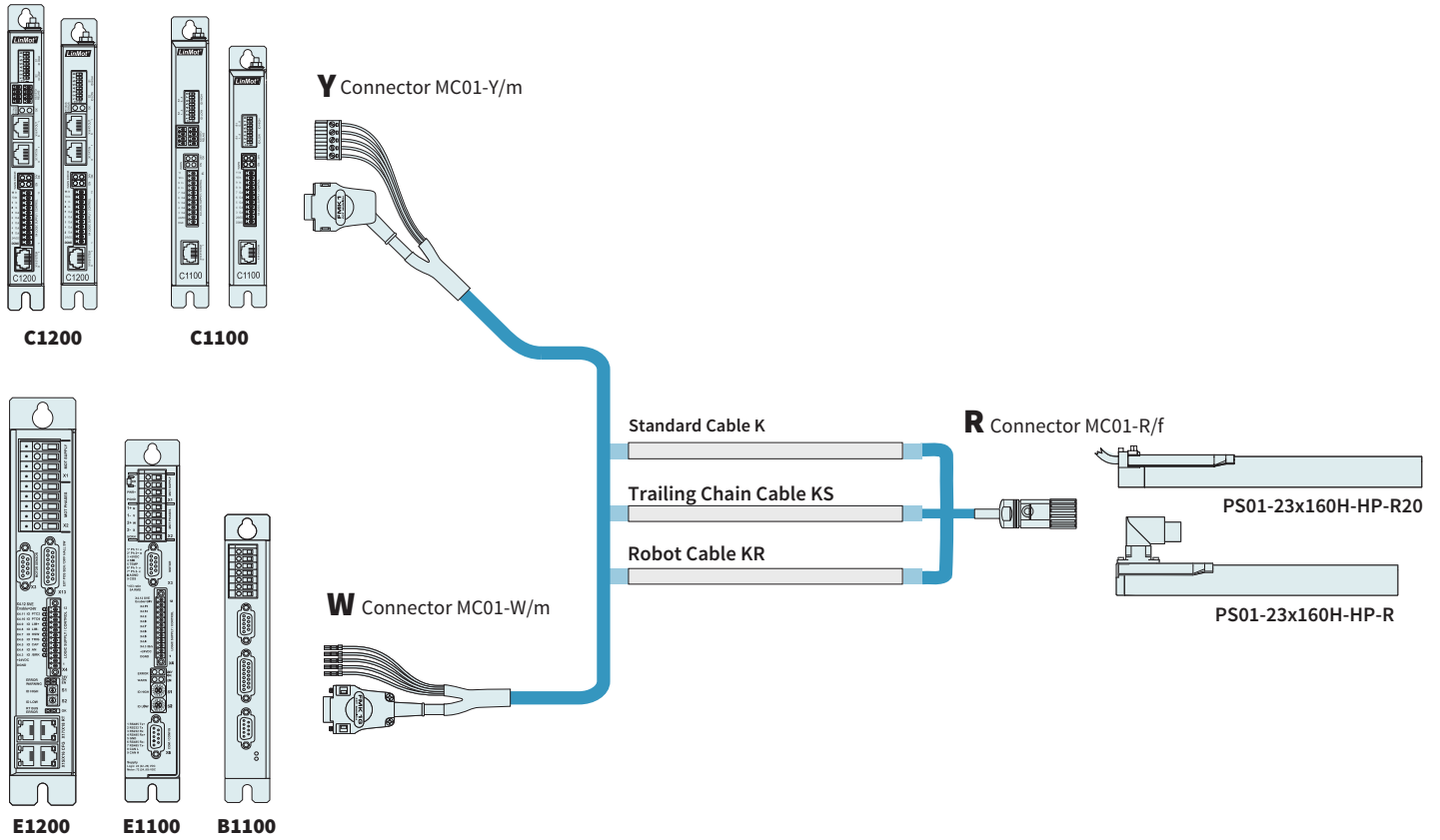
**Accessories**

→	Fan	HV01-23	Fan cooling for H01-23	0150-5050
→	MagSpring	MF01-20/H23	Flange MagSpring 20 / H-Guide 23	0250-2306
		MA01-20/H23	Adapter MagSpring 20 / H-Guide 23	0250-0116
→	Centering sleeve	HC01-09/04	Centering sleeve D9x4mm	0150-3251

FIND MORE PRODUCT DETAILS IN THE CHAPTER "LINEAR GUIDES".

**Motor Cable**

3



**ORDERING INFORMATION**

STANDARD CABLE

Item	Description	Item-No.
<b>K05-W/R-2</b>	Motor Cable W/R, 2 m	0150-2119
<b>K05-W/R-4</b>	Motor Cable W/R, 4 m	0150-2120
<b>K05-W/R-6</b>	Motor Cable W/R, 6 m	0150-2121
<b>K05-W/R-8</b>	Motor Cable W/R, 8 m	0150-2122
<b>K05-W/R-</b>	Motor Cable W/R, Custom length	0150-3262
<b>K05-Y/R-2</b>	Motor Cable Y/R, 2 m	0150-2421
<b>K05-Y/R-4</b>	Motor Cable Y/R, 4 m	0150-2422
<b>K05-Y/R-6</b>	Motor Cable Y/R, 6 m	0150-2423
<b>K05-Y/R-8</b>	Motor Cable Y/R, 8 m	0150-2424
<b>K05-Y-Fe/R-</b>	Motor Cable Y/R, Custom length	0150-3501

TRAILING CHAIN CABLE		
Item	Description	Item-No.
<b>KS05-W/R-4</b>	Trailing Chain Cable W/R, 4 m	0150-2106
<b>KS05-W/R-6</b>	Trailing Chain Cable W/R, 6 m	0150-2131
<b>KS05-W/R-8</b>	Trailing Chain Cable W/R, 8 m	0150-2107
<b>KS05-W/R-</b>	Trailing Chain Cable W/R, Custom length	0150-3256
<b>KS05-Y/R-4</b>	Trailing Chain Cable Y/R, 4 m	0150-2433
<b>KS05-Y/R-6</b>	Trailing Chain Cable Y/R, 6 m	0150-2434
<b>KS05-Y/R-8</b>	Trailing Chain Cable Y/R, 8 m	0150-2435
<b>KS05-Y/R-</b>	Trailing Chain Cable Y/R, Custom length	0150-3507

ROBOT CABLE		
Item	Description	Item-No.
<b>KR05-W/R-</b>	Robot Cable KR05-W/R, Custom length	0150-3336
<b>KR05-Y-Fe/R-</b>	Robot Cable KR05-Y-Fe/R, Custom length	0150-3512

CONNECTOR & CABLE (INDIVIDUAL)		
Item	Description	Item-No.
<b>MC01-W/m</b>	Motor Connector W/m	0150-3140
<b>MC01-Y-Fe/m</b>	Motor Connector Y-Fe/m	0150-3289
<b>MC01-R/f</b>	Motor Connector R/f	0150-3129
<b>MC01-D/f</b>	Motor Connector D/f	0150-3025
<b>K05-04/05</b>	Motor Cable per m	0150-1920
<b>KS05-04/05</b>	Trailing Chain Cable per m	0150-1938
<b>KR05-04/05</b>	Robot Cable per m	0150-1846

**MOTOR FLANGES**



Item	Description	Item-No.
<b>PF02-23x120</b>	Flange 23x120 mm	0150-2103
<b>PF02-23x170</b>	Flange 23x170 mm	0150-2117

FIND MORE PRODUCT DETAILS IN THE CHAPTER "ACCESSORIES".

**FANS**



Item	Description	Item-No.
<b>HV01-23</b>	Fan cooling for H01-23 and PF02-23	0150-5050

FIND MORE PRODUCT DETAILS IN THE CHAPTER "ACCESSORIES".

**SLIDER MOUNTING**



Item	Description	Item-No.
<b>PLF01-12</b>	Fixed End Washer Set for 12 mm sliders	0150-3085
<b>PLF01-12-Ni</b>	Fixed End Washer Set for 12 mm sliders nickel-plated	0150-3573
<b>PLL02-12</b>	Floating support for PL01-12 Sliders	0150-3111

FIND MORE PRODUCT DETAILS IN THE CHAPTER "ACCESSORIES".

**WIPERS**



Item	Description	Item-No.
<b>PA01-23/12-F</b>	Wiper front side for PS01-23x...	0150-3125

FIND MORE PRODUCT DETAILS IN THE CHAPTER "ACCESSORIES".

**EXTERNAL POSITION SENSORS**



Item	Description	Item-No.
<b>MS01-1/D</b>	Linear Encoder 1µm, A/B (for incremental strip)	0150-1840
<b>MB01-1000</b>	Magnetic incremental strip for MS01-1/D, per cm	0150-1963
<b>KS025-D/D-Encoder</b>	Encoder Cable (Length in m)	0150-3166
<b>KS025-D/D15-Encoder</b>	Encoder Cable (Length in m)	0150-3168

FIND MORE PRODUCT DETAILS IN THE CHAPTER "ACCESSORIES".



Item	Description	Item-No.
<b>MS01-1/D-SSI</b>	Linear Encoder 1µm, A/B (for absolute strip)	0150-2095
<b>MB01-1000-ABS</b>	Magnetic absolute strip for MS01-1/D-SSI (per cm)	0150-2096
<b>EC01-ABS/ENC-12-S</b>	MS01-1/D-SSI Encoder connector straight	0150-3616
<b>KSS01-12-D15/ABS-ENC</b>	Special cable for MS01-1/D-SSI on C1100/C1200/C1400/E1200/E1400 Drives	0150-3652

FIND MORE PRODUCT DETAILS IN THE CHAPTER "ACCESSORIES".

A series of horizontal dotted lines spanning the width of the page, intended for handwritten notes.

# LINEAR MOTORS P01-37Sx60-HP



- ✓ Short design
- ✓ Integrated mounting flange
- ✓ Integrated mounting flange
- ✓ Free positionable cable outlet
- ✓ For use where space is limited and in multi-axis applications

**LINEAR MOTORS P01-37Sx60-HP**

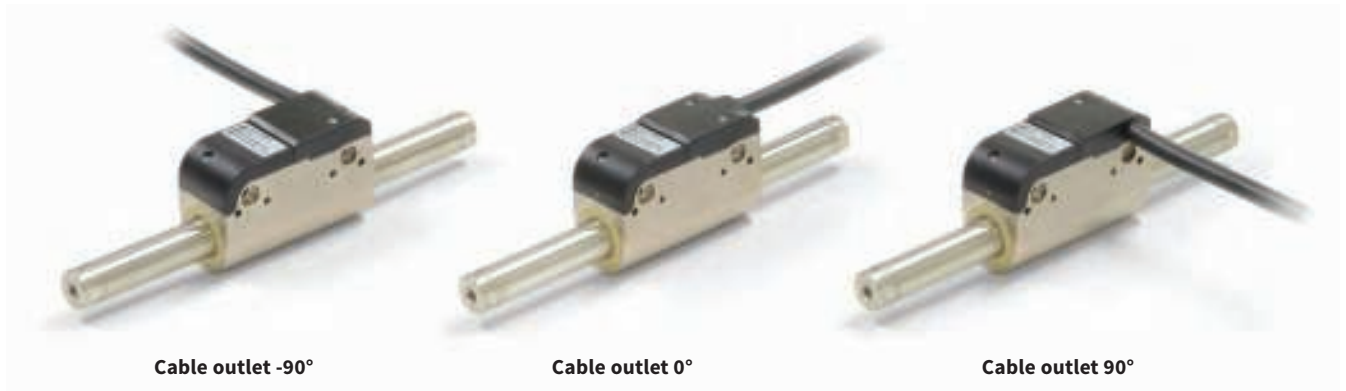
<b>Technical Data</b>	<b>175</b>
-----------------------	------------

**Motor Specifications**

P01-37Sx60/20x40-HP	<b>179</b>
P01-37Sx60/60x80-HP	<b>180</b>
P01-37Sx60/100x120-HP	<b>181</b>
P01-37Sx60/160x180-HP	<b>182</b>
P01-37Sx60/220x240-HP	<b>183</b>
P01-37Sx60/260x280-HP	<b>184</b>
P01-37Sx60/360x380-HP	<b>185</b>
P01-37Sx60/460x480-HP	<b>186</b>
P01-37Sx60/560x580-HP	<b>187</b>
P01-37Sx60/660x680-HP	<b>188</b>
P01-37Sx60/760x780-HP	<b>189</b>
P01-37Sx60/860x880-HP	<b>190</b>
P01-37Sx60/1060x1080-HP	<b>191</b>
P01-37Sx60/1260x1280-HP	<b>192</b>
P01-37Sx60/1460x1480-HP	<b>193</b>

<b>Accessories</b>	<b>194</b>
--------------------	------------

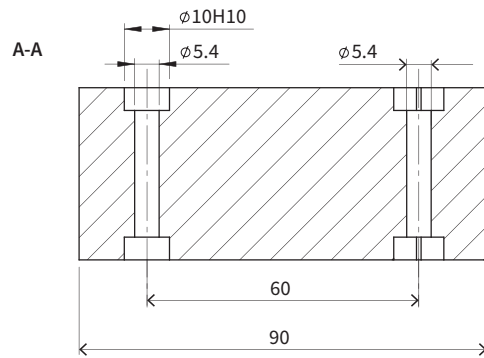
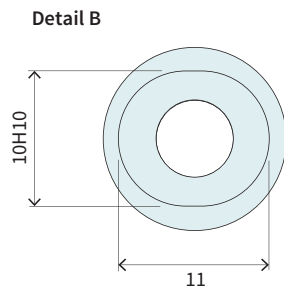
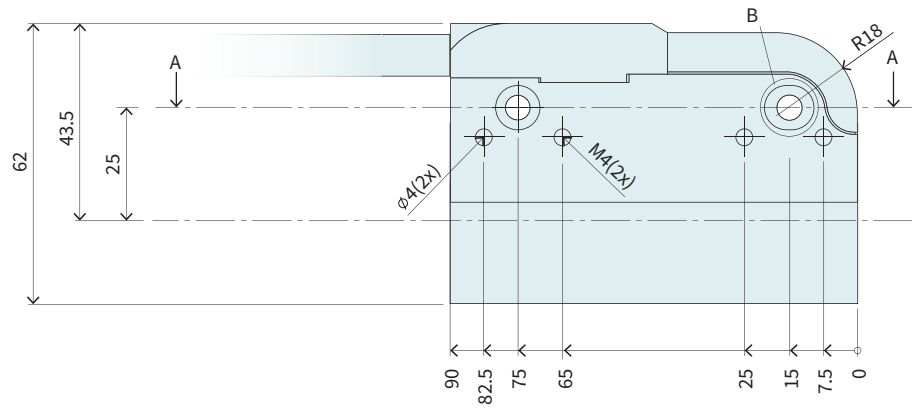
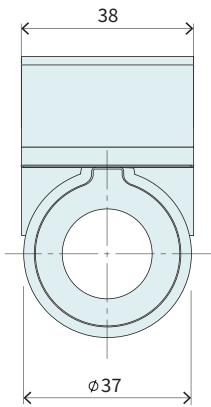




### MOTOR FAMILY P01-37Sx60-HP

Technical Data				
<b>Stroke</b>				
Standard Stroke (SS)	mm	(in)	≤ 1460	(≤ 57.5)
Extended Stroke (ES)	mm	(in)	≤ 1480	(≤ 58.3)
<b>Force</b>				
Max. Force @ 48VDC	N	(lbf)	128	(28.7)
Max. Force @ 72VDC	N	(lbf)	128	(28.7)
Max. Cont. Force [Passive cooling / Fan / Fluid]	N	(lbf)	16 / 33 / -	(3.7 / 7.3 / -)
Max. Border Force relative	%		≤ 83	
Force Constant	N/A <sub>pk</sub>	(lbf/A <sub>pk</sub> )	13.4	(3.02)
<b>Velocity</b>				
Max. Velocity @ 48VDC	m/s	(in/s)	3.2	(129.9)
Max. Velocity @ 72VDC	m/s	(in/s)	4.9	(189.9)
<b>Position Detection</b>				
Position Resolution	mm	(in)	0.005	(0.0002)
Repeatability	mm	(in)	±0.05	(±0.002)
Position Resolution with ES	mm	(in)	0.001	(0.00004)
Repeatability with ES	mm	(in)	±0.01	(±0.0004)
Linearity with ES	mm	(in)	±0.01	(±0.0004)
<b>Electrical Data</b>				
Max. Current @ 48VDC	A <sub>pk</sub>		9.4	
Max. Current @ 72VDC	A <sub>pk</sub>		9.4	
Max. Cont. Current [Passive cooling / Fan / Fluid]	A <sub>pk</sub>		1.2 / 2.4 / -	
Terminal Resistance 25 °C / 120 °C	Ohm		3.2 / 4.7	
Terminal Inductivity	mH		1.6	
Magnetic Period	mm	(in)	40	(1.57)
<b>Thermal Data</b>				
Max. Winding Temperature (Sensor)	°C		120	
Thermal Resistance [Passive cooling / Fan / Fluid]	°K/W		12 / 3 / -	
Thermal Time Constant [Passive cooling / Fan / Fluid]	s		2400 / 600 / -	
<b>Mechanical Data</b>				
Stator Diameter	mm	(in)	37	(1.5)
Stator Length [Connector type / Cable type]	mm	(in)	90	(3.5)
Stator Mass	g	(lb)	520	(1.14)
Slider Diameter	mm	(in)	20	(0.79)
Slider Length	mm	(in)	160 - 1600	(6.3 - 63)
Slider Mass	g	(lb)	310 - 3620	(0.68 - 7.96)
IP Code			IP 50	

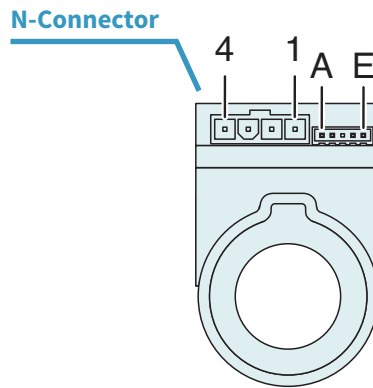
**STATOR**



Item	Description	Item-No.
PS01-37Sx60-HP-N	Stator HP, Cable -90°, 0°, +90°	0150-1295

**CONNECTOR**

Motor Connector Wiring	N-Connector	Wire color motor cable
Phase 1+	Pin 4	red
Phase 1-	Pin 3	pink
Phase 2+	Pin 2	blue
Phase 2-	Pin 1	grey
+5V	Pin A	white
GND	Pin B	Inner Shield
Sensor Sin	Pin C	yellow
Sensor Cos	Pin D	green
Temp Sensor	Pin E	black
Housing		Outer Shield

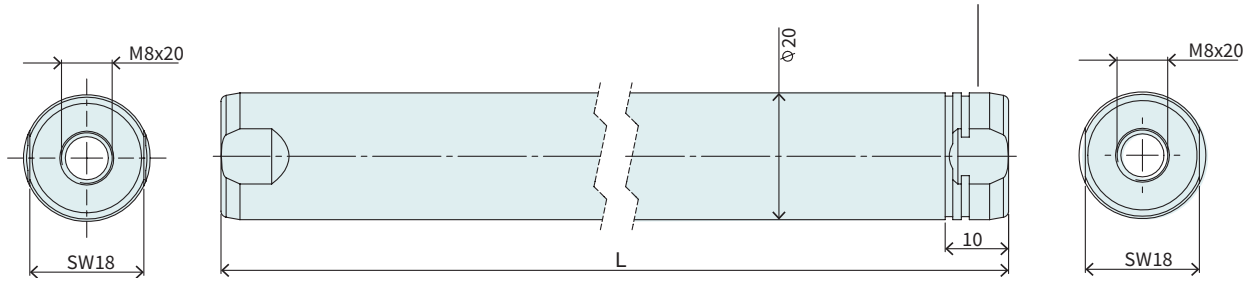


View: Motor Connector, plug side

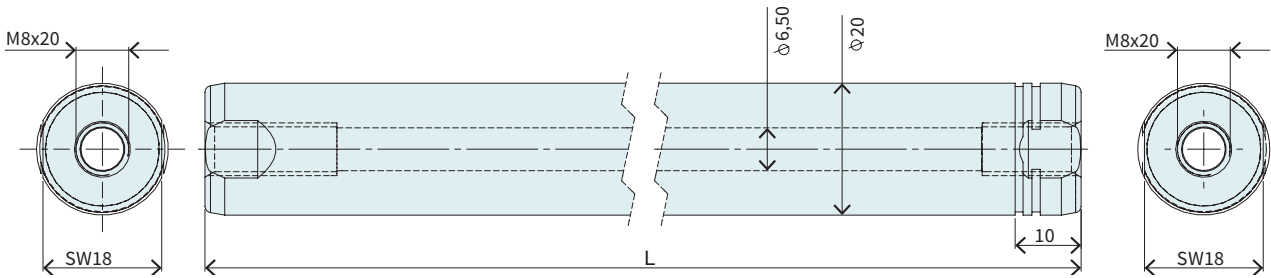
**SLIDER**

**Slider HP / Heavy Duty HP**

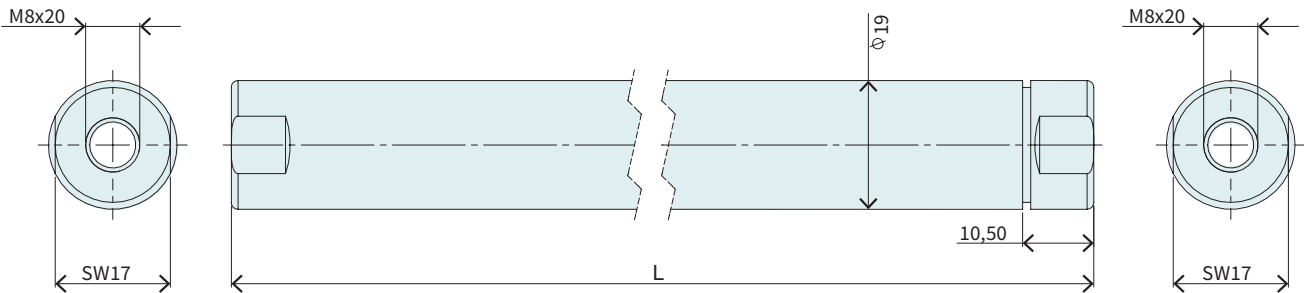
Number of grooves determines the slider type (see chapter 2 / slider) and marks the front end.



**Hollow slider HP**



**High-Clearance Slider**



Slider High Performance				
Item	Description	Max. Stroke [mm]	Standard Stroke [mm]	Item-No.
PL01-20x160/100-HP	Slider 'High Performance'	40	20	0150-2513
PL01-20x200/140-HP	Slider 'High Performance'	80	60	0150-2512
PL01-20x240/180-HP	Slider 'High Performance'	120	100	0150-1505
PL01-20x300/240-HP	Slider 'High Performance'	180	160	0150-1506
PL01-20x360/300-HP	Slider 'High Performance'	240	220	0150-1507
PL01-20x400/340-HP	Slider 'High Performance'	280	260	0150-1508
PL01-20x500/440-HP	Slider 'High Performance'	380	360	0150-1509
PL01-20x600/540-HP	Slider 'High Performance'	480	460	0150-1510
PL01-20x700/640-HP	Slider 'High Performance'	580	560	0150-1511
PL01-20x800/740-HP	Slider 'High Performance'	680	660	0150-1512
PL01-20x900/840-HP	Slider 'High Performance'	780	760	0150-1513
PL01-20x1000/940-HP	Slider 'High Performance'	880	860	0150-1514
PL01-20x1200/1140-HP	Slider 'High Performance'	1080	1060	0150-1515
PL01-20x1400/1340-HP	Slider 'High Performance'	1280	1260	0150-1516
PL01-20x1600/1540-HP	Slider 'High Performance'	1480	1460	0150-1517

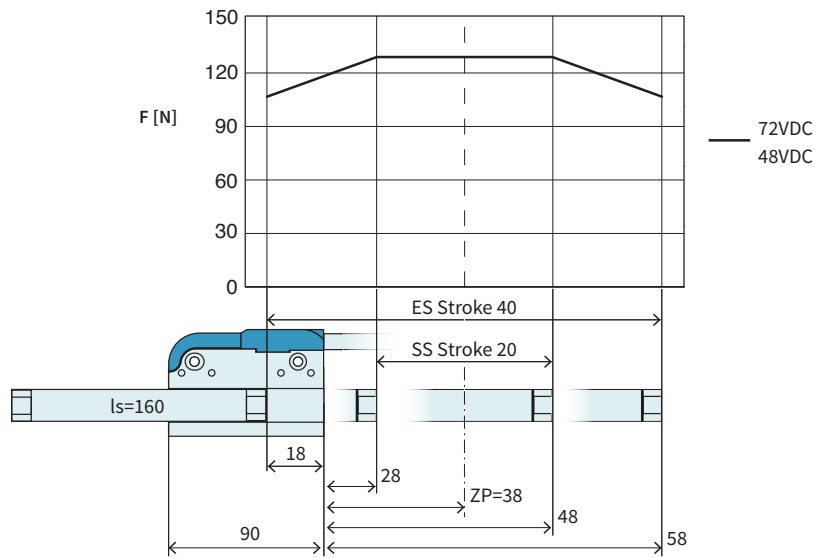
Slider Heavy Duty High Performance				
Item	Description	Max. Stroke [mm]	Standard Stroke [mm]	Item-No.
PL02-20x160/100-HP	Slider 'heavy duty' 'High Performance	40	20	on request
PL02-20x200/140-HP	Slider 'heavy duty' 'High Performance	80	60	on request
PL02-20x240/180-HP	Slider 'heavy duty' 'High Performance	120	100	0150-2162
PL02-20x300/240-HP	Slider 'heavy duty' 'High Performance	180	160	0150-2163
PL02-20x360/300-HP	Slider 'heavy duty' 'High Performance	240	220	0150-2164
PL02-20x400/340-HP	Slider 'heavy duty' 'High Performance	280	260	0150-2165
PL02-20x500/440-HP	Slider 'heavy duty' 'High Performance	380	360	0150-2166
PL02-20x600/540-HP	Slider 'heavy duty' 'High Performance	480	460	0150-2167
PL02-20x700/640-HP	Slider 'heavy duty' 'High Performance	580	560	0150-2168
PL02-20x800/740-HP	Slider 'heavy duty' 'High Performance	680	660	0150-2169
PL02-20x900/840-HP	Slider 'heavy duty' 'High Performance	780	760	0150-2170

Hollow slider High Performance				
Item	Description	Max. Stroke [mm]	Standard Stroke [mm]	Item-No.
PL01-20x160/100-HP-L	Slider 'High Performance L'	40	20	on request
PL01-20x200/140-HP-L	Slider 'High Performance L'	80	60	on request
PL01-20x240/180-HP-L	Slider 'High Performance L'	120	100	0150-2540
PL01-20x300/240-HP-L	Slider 'High Performance L'	180	160	0150-3696
PL01-20x360/300-HP-L	Slider 'High Performance L'	240	220	0150-1537
PL01-20x400/340-HP-L	Slider 'High Performance L'	280	260	0150-3697
PL01-20x500/440-HP-L	Slider 'High Performance L'	380	360	0150-3698
PL01-20x600/540-HP-L	Slider 'High Performance L'	480	460	0150-3699
PL01-20x700/640-HP-L	Slider 'High Performance L'	580	560	0150-3700
PL01-20x800/740-HP-L	Slider 'High Performance L'	680	660	0150-3701
PL01-20x900/840-HP-L	Slider 'High Performance L'	780	760	0150-3702
PL01-20x1000/940-HP-L	Slider 'High Performance L'	880	860	0150-3703
PL01-20x1200/1140-HP-L	Slider 'High Performance L'	1080	1060	0150-2510
PL01-20x1400/1340-HP-L	Slider 'High Performance L'	1280	1260	on request
PL01-20x1600/1540-HP-L	Slider 'High Performance L'	1480	1460	on request

High-Clearance Slider				
Item	Description	Max. Stroke [mm]	Standard Stroke [mm]	Item-No.
PL01-19x160/100	Slider 'high clearance'	40	20	on request
PL01-19x200/140	Slider 'high clearance'	80	60	on request
PL01-19x240/160	Slider 'high clearance'	100	80	0150-1448
PL01-19x300/220	Slider 'high clearance'	160	140	0150-1449
PL01-19x395/320	Slider 'high clearance'	360	340	0150-1452
PL01-19x500/420	Slider 'high clearance'	460	440	0150-1455
PL01-19x600/520	Slider 'high clearance'	560	540	0150-1456

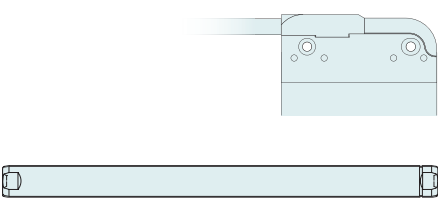
**P01-37Sx60/20x40-HP**

**Max. Stroke:** 40 mm  
**Peak Force:** 128 N



Dimensions in mm

Technical Data P01-37Sx60/20x40-HP			
<b>Stroke</b>			
Standard Stroke (SS)	mm (in)	20	(0.78)
Extended Stroke (ES)	mm (in)	40	(1.57)
<b>Force</b>			
Max. Force @ 48VDC	N (lbf)	128	(28.7)
Max. Force @ 72VDC	N (lbf)	128	(28.7)
Max. Cont. Force [Passive cooling / Fan / Fluid]	N (lbf)	16 / 33 / -	(3.7 / 7.3 / -)
Max. Border Force relative	%	83	
Force Constant	N/A <sub>pk</sub> (lbf/A <sub>pk</sub> )	13.4	(3.02)
<b>Velocity</b>			
Max. Velocity @ 48VDC	m/s (in/s)	3.2	(129.9)
Max. Velocity @ 72VDC	m/s (in/s)	4.9	(189.9)
<b>Position Detection</b>			
Repeatability	mm (in)	±0.05	(±0.002)
Linearity	%	± 1.35	
<b>Electrical Data</b>			
Max. Current @ 48VDC	A <sub>pk</sub>	9.4	
Max. Current @ 72VDC	A <sub>pk</sub>	9.4	
Max. Cont. Current [Passive cooling / Fan / Fluid]	A <sub>pk</sub>	1.2 / 2.4 / -	
<b>Thermal Data</b>			
Max. Winding Temperature (Sensor)	°C	120	
Thermal Resistance [Passive cooling / Fan / Fluid]	°K/W	12 / 3 / -	
Thermal Time Constant [Passive cooling / Fan / Fluid]	s	2400 / 600 / -	
<b>Mechanical Data</b>			
Slider Length	mm (in)	160	(6.3)
Slider Mass	g (lb)	310	(0.68)

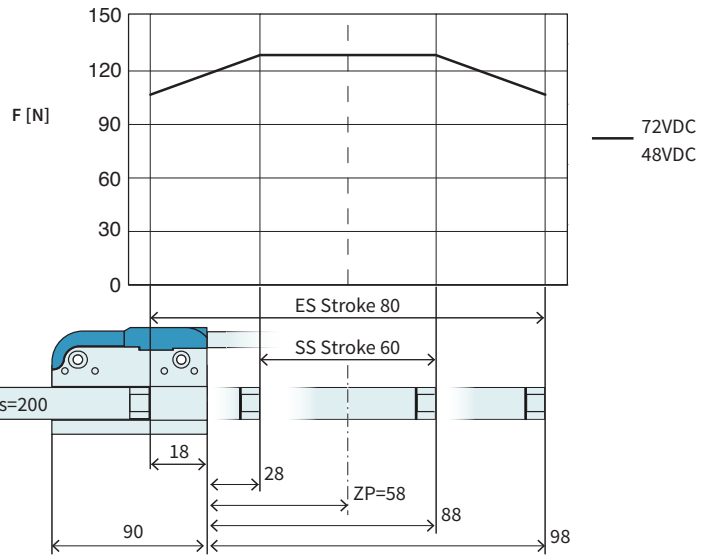


Item	Description	Item-No.
<b>PS01-37Sx60-HP-N</b>	Stator HP, Cable -90°, 0°, +90°	0150-1295
<b>PL01-20x160/100-HP</b>	Slider 'High Performance'	0150-2513
<b>PL02-20x160/100-HP</b>	Slider 'heavy duty' 'High Performance'	on request
<b>PL01-20x160/100-HP-L*</b>	Slider 'High Performance L'	on request
<b>PL01-19x160/100*</b>	Slider 'high clearance'	on request

\* With this slider, the motor specifications above change.

**P01-37Sx60/60x80-HP**

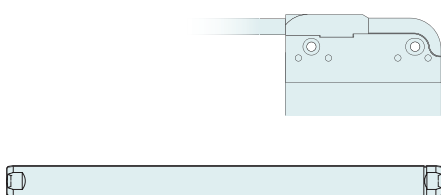
**Max. Stroke:** 80 mm  
**Peak Force:** 128 N



Dimensions in mm

Technical Data P01-37Sx60/60x80-HP

Stroke			
Standard Stroke (SS)	mm (in)		60 (2.35)
Extended Stroke (ES)	mm (in)		80 (3.14)
Force			
Max. Force @ 48VDC	N (lbf)		128 (28.7)
Max. Force @ 72VDC	N (lbf)		128 (28.7)
Max. Cont. Force [Passive cooling / Fan / Fluid]	N (lbf)		16 / 33 / - (3.7 / 7.3 / -)
Max. Border Force relative	%		83
Force Constant	N/A <sub>pk</sub> (lbf/A <sub>pk</sub> )		13.4 (3.02)
Velocity			
Max. Velocity @ 48VDC	m/s (in/s)		3.2 (129.9)
Max. Velocity @ 72VDC	m/s (in/s)		4.9 (189.9)
Position Detection			
Repeatability	mm (in)		±0.05 (±0.002)
Linearity	%		± 0.7
Electrical Data			
Max. Current @ 48VDC	A <sub>pk</sub>		9.4
Max. Current @ 72VDC	A <sub>pk</sub>		9.4
Max. Cont. Current [Passive cooling / Fan / Fluid]	A <sub>pk</sub>		1.2 / 2.4 / -
Thermal Data			
Max. Winding Temperature (Sensor)	°C		120
Thermal Resistance [Passive cooling / Fan / Fluid]	°K/W		12 / 3 / -
Thermal Time Constant [Passive cooling / Fan / Fluid]	s		2400 / 600 / -
Mechanical Data			
Slider Length	mm (in)		200 (7.9)
Slider Mass	g (lb)		400 (0.88)



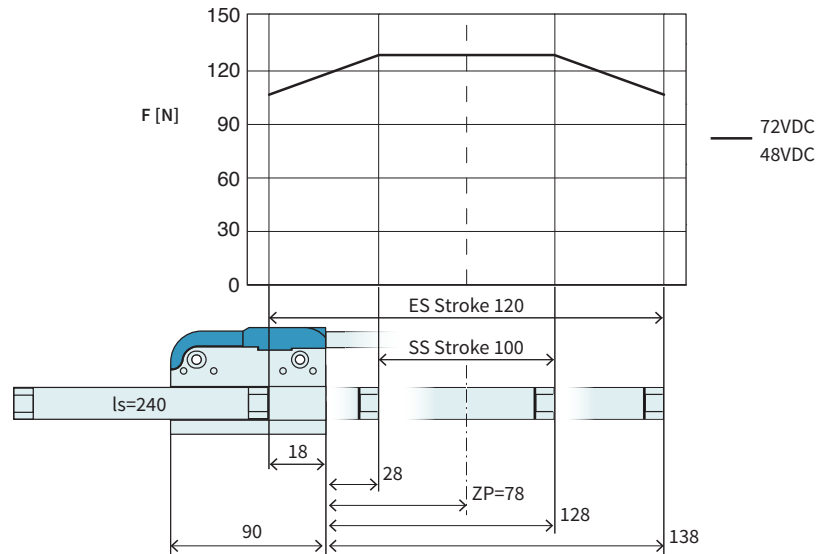
Item	Description	Item-No.
<b>PS01-37Sx60-HP-N</b>	Stator HP, Cable -90°, 0°, +90°	0150-1295
<b>PL01-20x200/140-HP</b>	Slider 'High Performance'	0150-2512
<b>PL02-20x200/140-HP</b>	Slider 'heavy duty' 'High Performance'	on request
<b>PL01-20x200/140-HP-L*</b>	Slider 'High Performance L'	on request
<b>PL01-19x200/140*</b>	Slider 'high clearance'	on request

\* With this slider, the motor specifications above change.

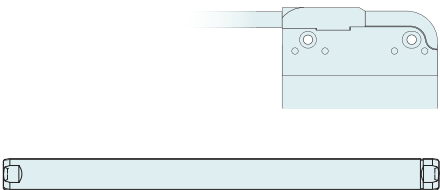
**P01-37Sx60/100x120-HP**

**Max. Stroke:** 120 mm  
**Peak Force:** 128 N

Dimensions in mm



Technical Data P01-37Sx60/100x120-HP				
<b>Stroke</b>				
Standard Stroke (SS)	mm (in)		100 (3.93)	
Extended Stroke (ES)	mm (in)		120 (4.71)	
<b>Force</b>				
Max. Force @ 48VDC	N (lbf)		128 (28.7)	
Max. Force @ 72VDC	N (lbf)		128 (28.7)	
Max. Cont. Force [Passive cooling / Fan / Fluid]	N (lbf)		16 / 33 / - (3.7 / 7.3 / -)	
Max. Border Force relative	%		83	
Force Constant	N/A <sub>pk</sub> (lbf/A <sub>pk</sub> )		13.4 (3.02)	
<b>Velocity</b>				
Max. Velocity @ 48VDC	m/s (in/s)		3.2 (129.9)	
Max. Velocity @ 72VDC	m/s (in/s)		4.9 (189.9)	
<b>Position Detection</b>				
Repeatability	mm (in)		±0.05 (±0.002)	
Linearity	%		± 0.5	
<b>Electrical Data</b>				
Max. Current @ 48VDC	A <sub>pk</sub>		9.4	
Max. Current @ 72VDC	A <sub>pk</sub>		9.4	
Max. Cont. Current [Passive cooling / Fan / Fluid]	A <sub>pk</sub>		1.2 / 2.4 / -	
<b>Thermal Data</b>				
Max. Winding Temperature (Sensor)	°C		120	
Thermal Resistance [Passive cooling / Fan / Fluid]	°K/W		12 / 3 / -	
Thermal Time Constant [Passive cooling / Fan / Fluid]	s		2400 / 600 / -	
<b>Mechanical Data</b>				
Slider Length	mm (in)		240 (9.4)	
Slider Mass	g (lb)		490 (1.08)	

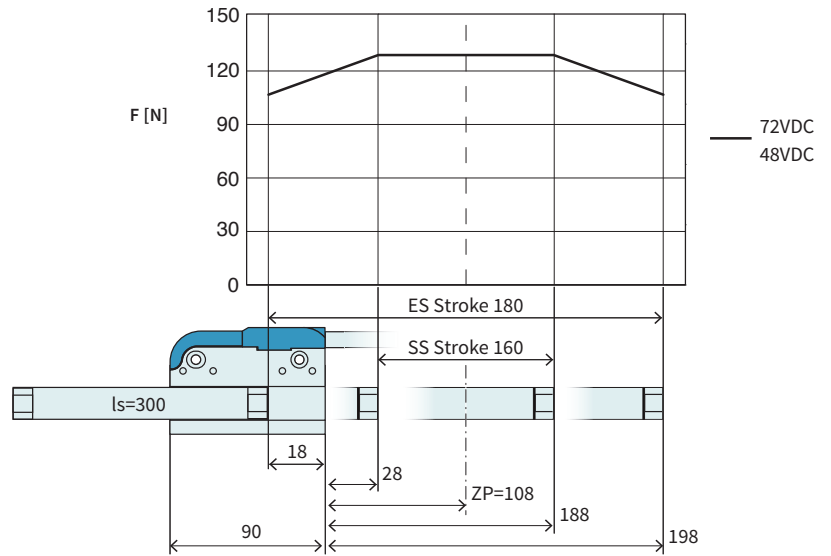


Item	Description	Item-No.
<b>PS01-37Sx60-HP-N</b>	Stator HP, Cable -90°, 0°, +90°	0150-1295
<b>PL01-20x240/180-HP</b>	Slider 'High Performance'	0150-1505
<b>PL02-20x240/180-HP</b>	Slider 'heavy duty' 'High Performance'	0150-2162
<b>PL01-20x240/180-HP-L*</b>	Slider 'High Performance L'	0150-2540
<b>PL01-19x240/160*</b>	Slider 'high clearance'	0150-1448

\* With this slider, the motor specifications above change.

**P01-37Sx60/160x180-HP**

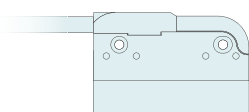
**Max. Stroke:** 180 mm  
**Peak Force:** 128 N



Dimensions in mm

Technical Data P01-37Sx60/160x180-HP

Stroke			
Standard Stroke (SS)	mm (in)	160	(6.29)
Extended Stroke (ES)	mm (in)	180	(7.08)
Force			
Max. Force @ 48VDC	N (lbf)	128	(28.7)
Max. Force @ 72VDC	N (lbf)	128	(28.7)
Max. Cont. Force [Passive cooling / Fan / Fluid]	N (lbf)	16 / 33 / -	(3.7 / 7.3 / -)
Max. Border Force relative	%	83	
Force Constant	N/A <sub>pk</sub> (lbf/A <sub>pk</sub> )	13.4	(3.02)
Velocity			
Max. Velocity @ 48VDC	m/s (in/s)	3.2	(129.9)
Max. Velocity @ 72VDC	m/s (in/s)	4.9	(189.9)
Position Detection			
Repeatability	mm (in)	±0.05	(±0.002)
Linearity	%	± 0.4	
Electrical Data			
Max. Current @ 48VDC	A <sub>pk</sub>	9.4	
Max. Current @ 72VDC	A <sub>pk</sub>	9.4	
Max. Cont. Current [Passive cooling / Fan / Fluid]	A <sub>pk</sub>	1.2 / 2.4 / -	
Thermal Data			
Max. Winding Temperature (Sensor)	°C	120	
Thermal Resistance [Passive cooling / Fan / Fluid]	°K/W	12 / 3 / -	
Thermal Time Constant [Passive cooling / Fan / Fluid]	s	2400 / 600 / -	
Mechanical Data			
Slider Length	mm (in)	300	(12)
Slider Mass	g (lb)	630	(1.1)



Item	Description	Item-No.
<b>PS01-37Sx60-HP-N</b>	Stator HP, Cable -90°, 0°, +90°	0150-1295
<b>PL01-20x300/240-HP</b>	Slider 'High Performance'	0150-1506
<b>PL02-20x300/240-HP</b>	Slider 'heavy duty' 'High Performance'	0150-2163
<b>PL01-20x300/240-HP-L</b>	Slider 'High Performance L'	0150-3696
<b>PL01-19x300/220*</b>	Slider 'high clearance'	0150-1449

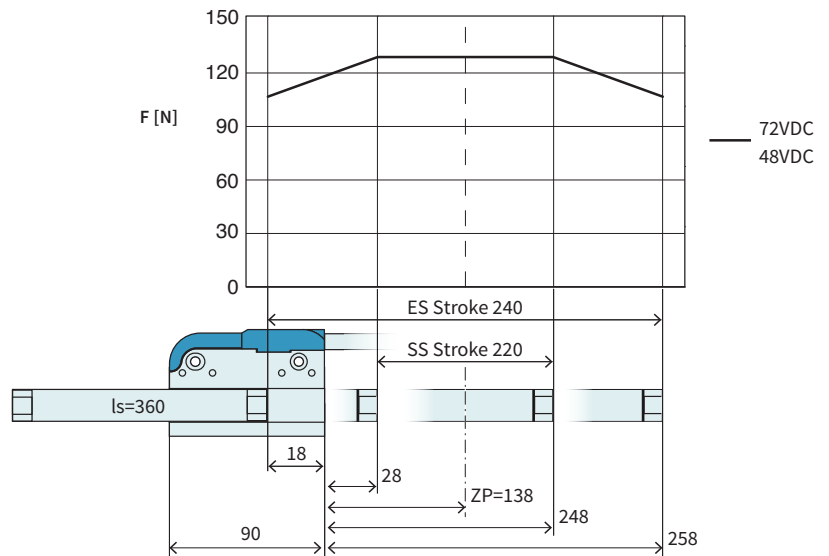
\* With this slider, the motor specifications above change.



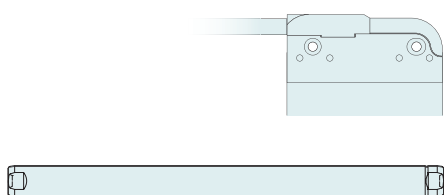
**P01-37Sx60/220x240-HP**

**Max. Stroke:** 240 mm  
**Peak Force:** 128 N

Dimensions in mm



Technical Data P01-37Sx60/220x240-HP				
<b>Stroke</b>				
Standard Stroke (SS)	mm	(in)	220	(8.65)
Extended Stroke (ES)	mm	(in)	240	(9.44)
<b>Force</b>				
Max. Force @ 48VDC	N	(lbf)	128	(28.7)
Max. Force @ 72VDC	N	(lbf)	128	(28.7)
Max. Cont. Force [Passive cooling / Fan / Fluid]	N	(lbf)	16 / 33 / -	(3.7 / 7.3 / -)
Max. Border Force relative	%		83	
Force Constant	N/A <sub>pk</sub>	(lbf/A <sub>pk</sub> )	13.4	(3.02)
<b>Velocity</b>				
Max. Velocity @ 48VDC	m/s	(in/s)	3.2	(129.9)
Max. Velocity @ 72VDC	m/s	(in/s)	4.9	(189.9)
<b>Position Detection</b>				
Repeatability	mm	(in)	±0.05	(±0.002)
Linearity	%		± 0.3	
<b>Electrical Data</b>				
Max. Current @ 48VDC	A <sub>pk</sub>		9.4	
Max. Current @ 72VDC	A <sub>pk</sub>		9.4	
Max. Cont. Current [Passive cooling / Fan / Fluid]	A <sub>pk</sub>		1.2 / 2.4 / -	
<b>Thermal Data</b>				
Max. Winding Temperature (Sensor)	°C		120	
Thermal Resistance [Passive cooling / Fan / Fluid]	°K/W		12 / 3 / -	
Thermal Time Constant [Passive cooling / Fan / Fluid]	s		2400 / 600 / -	
<b>Mechanical Data</b>				
Slider Length	mm	(in)	360	(14)
Slider Mass	g	(lb)	760	(1.67)

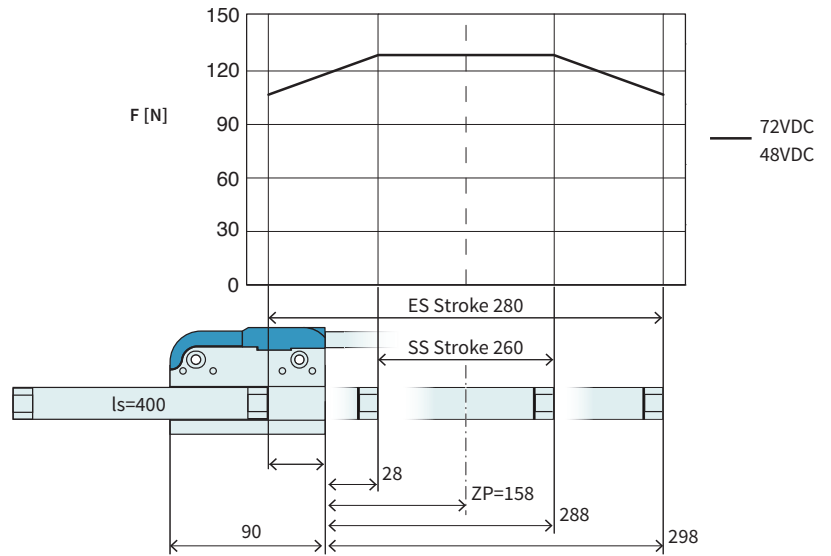


Item	Description	Item-No.
<b>PS01-37Sx60-HP-N</b>	Stator HP, Cable -90°, 0°, +90°	0150-1295
<b>PL01-20x360/300-HP</b>	Slider 'High Performance'	0150-1507
<b>PL02-20x360/300-HP</b>	Slider 'heavy duty' 'High Performance'	0150-2164
<b>PL01-20x360/300-HP-L*</b>	Slider 'High Performance L'	0150-1537

\* With this slider, the motor specifications above change.

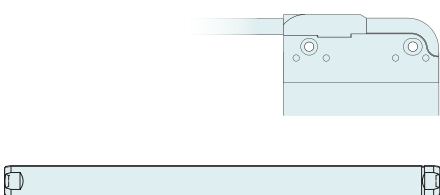
**P01-37Sx60/260x280-HP**

**Max. Stroke:** 280 mm  
**Peak Force:** 128 N



Dimensions in mm

Technical Data P01-37Sx60/260x280-HP			
<b>Stroke</b>			
Standard Stroke (SS)	mm (in)	260	(10.19)
Extended Stroke (ES)	mm (in)	280	(10.99)
<b>Force</b>			
Max. Force @ 48VDC	N (lbf)	128	(28.7)
Max. Force @ 72VDC	N (lbf)	128	(28.7)
Max. Cont. Force [Passive cooling/ Fan / Fluid]	N (lbf)	16 / 33 / -	(3.7 / 7.3 / -)
Max. Border Force relative	%	83	
Force Constant	N/A <sub>pk</sub> (lbf/A <sub>pk</sub> )	13.4	(3.02)
<b>Velocity</b>			
Max. Velocity @ 48VDC	m/s (in/s)	3.2	(129.9)
Max. Velocity @ 72VDC	m/s (in/s)	4.9	(189.9)
<b>Position Detection</b>			
Repeatability	mm (in)	±0.05	(±0.002)
Linearity	%	± 0.3	
<b>Electrical Data</b>			
Max. Current @ 48VDC	A <sub>pk</sub>	9.4	
Max. Current @ 72VDC	A <sub>pk</sub>	9.4	
Max. Cont. Current [Passive cooling / Fan / Fluid]	A <sub>pk</sub>	1.2 / 2.4 / -	
<b>Thermal Data</b>			
Max. Winding Temperature (Sensor)	°C	120	
Thermal Resistance [Passive cooling / Fan / Fluid]	°K/W	12 / 3 / -	
Thermal Time Constant [Passive cooling / Fan / Fluid]	s	2400 / 600 / -	
<b>Mechanical Data</b>			
Slider Length	mm (in)	400	(16)
Slider Mass	g (lb)	860	(1.89)



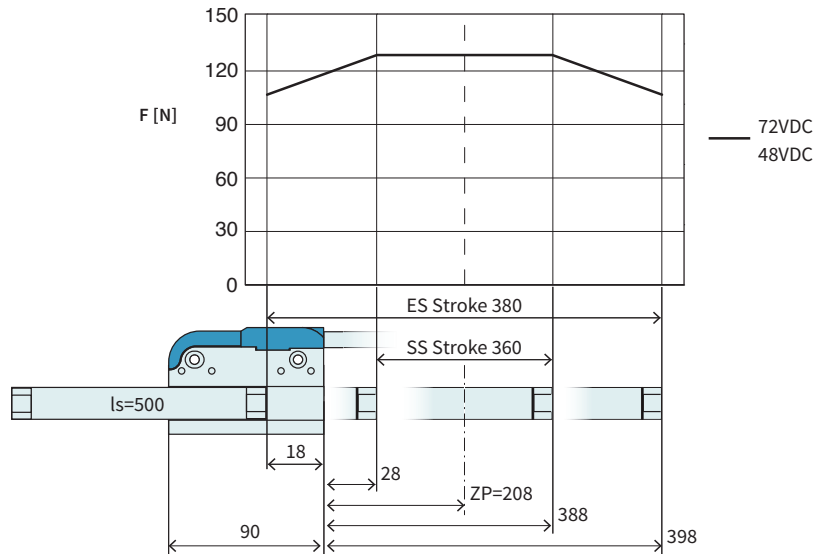
Item	Description	Item-No.
<b>PS01-37Sx60-HP-N</b>	Stator HP, Cable -90°, 0°, +90°	0150-1295
<b>PL01-20x400/340-HP</b>	Slider 'High Performance'	0150-1508
<b>PL02-20x400/340-HP</b>	Slider 'heavy duty' 'High Performance'	0150-2165
<b>PL01-20x400/340-HP-L*</b>	Slider 'High Performance L'	0150-3697
<b>PL01-19x395/320*</b>	Slider 'high clearance'	0150-1452

\* With this slider, the motor specifications above change.

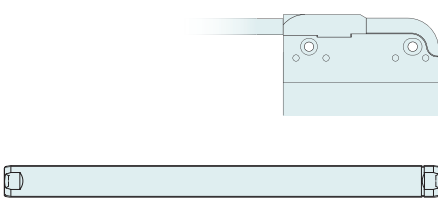
**P01-37Sx60/360x380-HP**

**Max. Stroke:** 380 mm  
**Peak Force:** 128 N

Dimensions in mm



Technical Data P01-37Sx60/360x380-HP				
<b>Stroke</b>				
Standard Stroke (SS)	mm (in)		360 (14.19)	
Extended Stroke (ES)	mm (in)		380 (14.99)	
<b>Force</b>				
Max. Force @ 48VDC	N (lbf)		128 (28.7)	
Max. Force @ 72VDC	N (lbf)		128 (28.7)	
Max. Cont. Force [Passive cooling / Fan / Fluid]	N (lbf)		16 / 33 / - (3.7 / 7.3 / -)	
Max. Border Force relative	%		83	
Force Constant	N/A <sub>pk</sub> (lbf/A <sub>pk</sub> )		13.4 (3.02)	
<b>Velocity</b>				
Max. Velocity @ 48VDC	m/s (in/s)		3.2 (129.9)	
Max. Velocity @ 72VDC	m/s (in/s)		4.9 (189.9)	
<b>Position Detection</b>				
Repeatability	mm (in)		±0.05 (±0.002)	
Linearity	%		± 0.25	
<b>Electrical Data</b>				
Max. Current @ 48VDC	A <sub>pk</sub>		9.4	
Max. Current @ 72VDC	A <sub>pk</sub>		9.4	
Max. Cont. Current [Passive cooling / Fan / Fluid]	A <sub>pk</sub>		1.2 / 2.4 / -	
<b>Thermal Data</b>				
Max. Winding Temperature (Sensor)	°C		120	
Thermal Resistance [Passive cooling / Fan / Fluid]	°K/W		12 / 3 / -	
Thermal Time Constant [Passive cooling / Fan / Fluid]	s		2400 / 600 / -	
<b>Mechanical Data</b>				
Slider Length	mm (in)		500 (20)	
Slider Mass	g (lb)		1090 (2.4)	

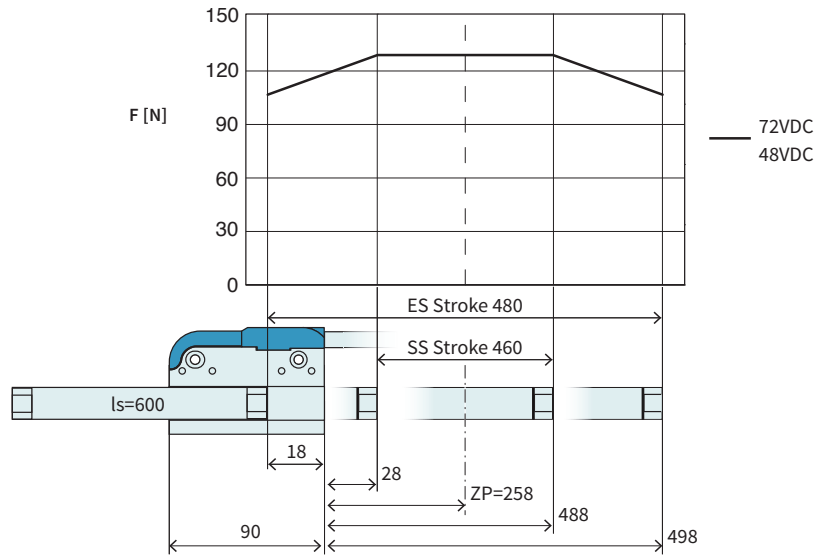


Item	Description	Item-No.
<b>PS01-37Sx60-HP-N</b>	Stator HP, Cable -90°, 0°, +90°	0150-1295
<b>PL01-20x500/440-HP</b>	Slider 'High Performance'	0150-1509
<b>PL02-20x500/440-HP</b>	Slider 'heavy duty' 'High Performance'	0150-2166
<b>PL01-20x500/440-HP-L*</b>	Slider 'High Performance L'	0150-3698
<b>PL01-19x500/420*</b>	Slider 'high clearance'	0150-1455

\* With this slider, the motor specifications above change.

**P01-37Sx60/460x480-HP**

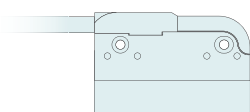
**Max. Stroke:** 480 mm  
**Peak Force:** 128 N



Dimensions in mm

Technical Data P01-37Sx60/460x480-HP

Stroke			
Standard Stroke (SS)	mm (in)	460 (18.1)	
Extended Stroke (ES)	mm (in)	480 (18.89)	
Force			
Max. Force @ 48VDC	N (lbf)	128 (28.7)	
Max. Force @ 72VDC	N (lbf)	128 (28.7)	
Max. Cont. Force [Passive cooling / Fan / Fluid]	N (lbf)	16 / 33 / -	(3.7 / 7.3 / -)
Max. Border Force relative	%	83	
Force Constant	N/A <sub>pk</sub> (lbf/A <sub>pk</sub> )	13.4	(3.02)
Velocity			
Max. Velocity @ 48VDC	m/s (in/s)	3.2 (129.9)	
Max. Velocity @ 72VDC	m/s (in/s)	4.9 (189.9)	
Position Detection			
Repeatability	mm (in)	±0.05 (±0.002)	
Linearity	%	± 0.2	
Electrical Data			
Max. Current @ 48VDC	A <sub>pk</sub>	9.4	
Max. Current @ 72VDC	A <sub>pk</sub>	9.4	
Max. Cont. Current [Passive cooling / Fan / Fluid]	A <sub>pk</sub>	1.2 / 2.4 / -	
Thermal Data			
Max. Winding Temperature (Sensor)	°C	120	
Thermal Resistance [Passive cooling / Fan / Fluid]	°K/W	12 / 3 / -	
Thermal Time Constant [Passive cooling / Fan / Fluid]	s	2400 / 600 / -	
Mechanical Data			
Slider Length	mm (in)	600 (24)	
Slider Mass	g (lb)	1330 (2.93)	

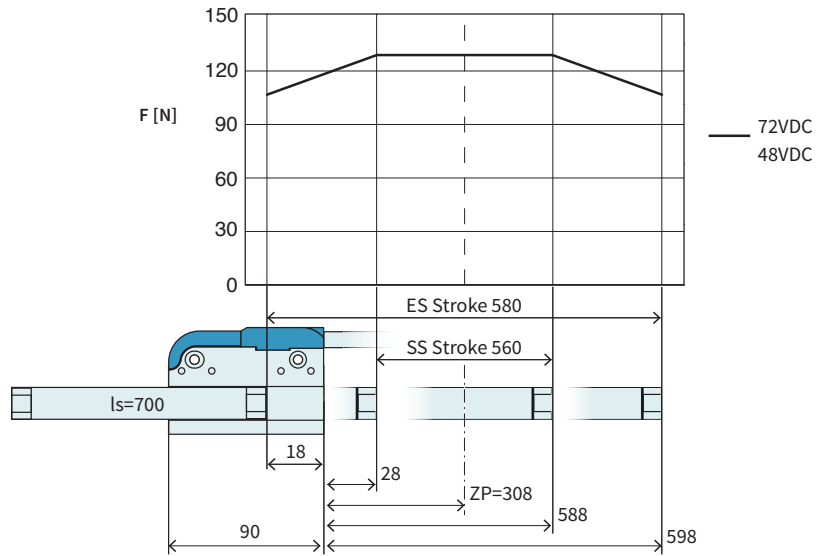


Item	Description	Item-No.
<b>PS01-37Sx60-HP-N</b>	Stator HP, Cable -90°, 0°, +90°	0150-1295
<b>PL01-20x600/540-HP</b>	Slider 'High Performance'	0150-1510
<b>PL02-20x600/540-HP</b>	Slider 'heavy duty' 'High Performance'	0150-2167
<b>PL01-20x600/540-HP-L*</b>	Slider 'High Performance L'	0150-3699
<b>PL01-19x600/520*</b>	Slider 'high clearance'	0150-1456

\* With this slider, the motor specifications above change.

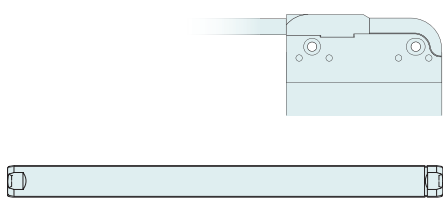
**P01-37Sx60/560x580-HP**

**Max. Stroke:** 580 mm  
**Peak Force:** 128 N



Dimensions in mm

Technical Data P01-37Sx60/560x580-HP				
<b>Stroke</b>				
Standard Stroke (SS)	mm (in)		560 (21.99)	
Extended Stroke (ES)	mm (in)		580 (22.8)	
<b>Force</b>				
Max. Force @ 48VDC	N (lbf)		128 (28.7)	
Max. Force @ 72VDC	N (lbf)		128 (28.7)	
Max. Cont. Force [Passive cooling / Fan / Fluid]	N (lbf)		16 / 33 / - (3.7 / 7.3 / -)	
Max. Border Force relative	%		83	
Force Constant	N/A <sub>pk</sub> (lbf/A <sub>pk</sub> )		13.4 (3.02)	
<b>Velocity</b>				
Max. Velocity @ 48VDC	m/s (in/s)		3.2 (129.9)	
Max. Velocity @ 72VDC	m/s (in/s)		4.9 (189.9)	
<b>Position Detection</b>				
Repeatability	mm (in)		±0.05 (±0.002)	
Linearity	%		± 0.2	
<b>Electrical Data</b>				
Max. Current @ 48VDC	A <sub>pk</sub>		9.4	
Max. Current @ 72VDC	A <sub>pk</sub>		9.4	
Max. Cont. Current [Passive cooling / Fan / Fluid]	A <sub>pk</sub>		1.2 / 2.4 / -	
<b>Thermal Data</b>				
Max. Winding Temperature (Sensor)	°C		120	
Thermal Resistance [Passive cooling / Fan / Fluid]	°K/W		12 / 3 / -	
Thermal Time Constant [Passive cooling / Fan / Fluid]	s		2400 / 600 / -	
<b>Mechanical Data</b>				
Slider Length	mm (in)		700 (28)	
Slider Mass	g (lb)		1560 (3.43)	

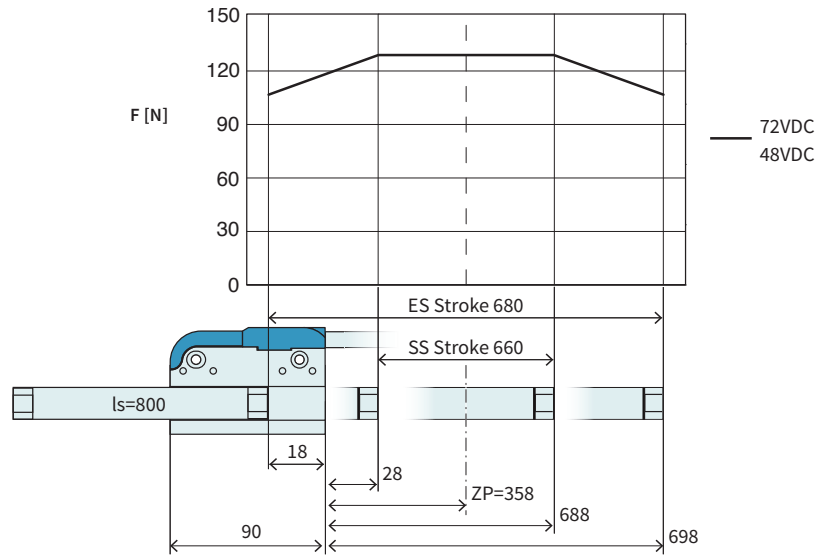


Item	Description	Item-No.
<b>PS01-37Sx60-HP-N</b>	Stator HP, Cable -90°, 0°, +90°	0150-1295
<b>PL01-20x700/640-HP</b>	Slider 'High Performance'	0150-1511
<b>PL02-20x700/640-HP</b>	Slider 'heavy duty' 'High Performance'	0150-2168
<b>PL01-20x700/640-HP-L*</b>	Slider 'High Performance L'	0150-3700
<b>PL01-19x700/620*</b>	Slider 'high clearance'	0150-1457

\* With this slider, the motor specifications above change.

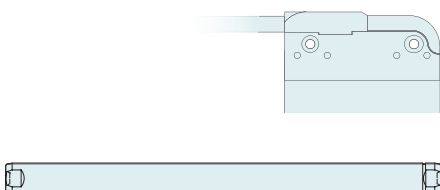
**P01-37Sx60/660x680-HP**

**Max. Stroke:** 680 mm  
**Peak Force:** 128 N



Dimensions in mm

Technical Data P01-37Sx60/660x680-HP			
<b>Stroke</b>			
Standard Stroke (SS)	mm (in)		660 (25.99)
Extended Stroke (ES)	mm (in)		680 (26.8)
<b>Force</b>			
Max. Force @ 48VDC	N (lbf)		128 (28.7)
Max. Force @ 72VDC	N (lbf)		128 (28.7)
Max. Cont. Force [Passive cooling/ Fan / Fluid]	N (lbf)		16 / 33 / - (3.7 / 7.3 / -)
Max. Border Force relative	%		83
Force Constant	N/A <sub>pk</sub> (lbf/A <sub>pk</sub> )		13.4 (3.02)
<b>Velocity</b>			
Max. Velocity @ 48VDC	m/s (in/s)		3.2 (129.9)
Max. Velocity @ 72VDC	m/s (in/s)		4.9 (189.9)
<b>Position Detection</b>			
Repeatability	mm (in)		±0.05 (±0.002)
Linearity	%		± 0.15
<b>Electrical Data</b>			
Max. Current @ 48VDC	A <sub>pk</sub>		9.4
Max. Current @ 72VDC	A <sub>pk</sub>		9.4
Max. Cont. Current [Passive cooling / Fan / Fluid]	A <sub>pk</sub>		1.2 / 2.4 / -
<b>Thermal Data</b>			
Max. Winding Temperature (Sensor)	°C		120
Thermal Resistance [Passive cooling / Fan / Fluid]	°K/W		12 / 3 / -
Thermal Time Constant [Passive cooling / Fan / Fluid]	s		2400 / 600 / -
<b>Mechanical Data</b>			
Slider Length	mm (in)		800 (31)
Slider Mass	g (lb)		1790 (3.94)

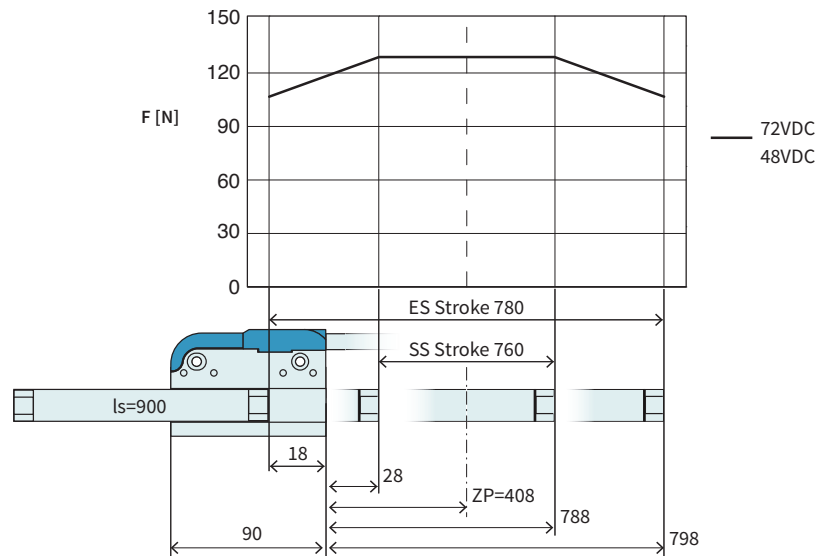


Item	Description	Item-No.
<b>PS01-37Sx60-HP-N</b>	Stator HP, Cable -90°, 0°, +90°	0150-1295
<b>PL01-20x800/740-HP</b>	Slider 'High Performance'	0150-1512
<b>PL02-20x800/740-HP</b>	Slider 'heavy duty' 'High Performance'	0150-2169
<b>PL01-20x800/740-HP-L*</b>	Slider 'High Performance L'	0150-3701

\* With this slider, the motor specifications above change.

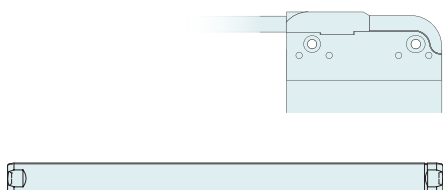
**P01-37Sx60/760x780-HP**

**Max. Stroke:** 780 mm  
**Peak Force:** 128 N



Dimensions in mm

Technical Data P01-37Sx60/760x780-HP			
<b>Stroke</b>			
Standard Stroke (SS)	mm (in)	760	(29.89)
Extended Stroke (ES)	mm (in)	780	(30.69)
<b>Force</b>			
Max. Force @ 48VDC	N (lbf)	128	(28.7)
Max. Force @ 72VDC	N (lbf)	128	(28.7)
Max. Cont. Force [Passive cooling / Fan / Fluid]	N (lbf)	16 / 33 / -	(3.7 / 7.3 / -)
Max. Border Force relative	%	83	
Force Constant	N/A <sub>pk</sub> (lbf/A <sub>pk</sub> )	13.4	(3.02)
<b>Velocity</b>			
Max. Velocity @ 48VDC	m/s (in/s)	3.2	(129.9)
Max. Velocity @ 72VDC	m/s (in/s)	4.9	(189.9)
<b>Position Detection</b>			
Repeatability	mm (in)	±0.05	(±0.002)
Linearity	%	± 0.15	
<b>Electrical Data</b>			
Max. Current @ 48VDC	A <sub>pk</sub>	9.4	
Max. Current @ 72VDC	A <sub>pk</sub>	9.4	
Max. Cont. Current [Passive cooling / Fan / Fluid]	A <sub>pk</sub>	1.2 / 2.4 / -	
<b>Thermal Data</b>			
Max. Winding Temperature (Sensor)	°C	120	
Thermal Resistance [Passive cooling / Fan / Fluid]	°K/W	12 / 3 / -	
Thermal Time Constant [Passive cooling / Fan / Fluid]	s	2400 / 600 / -	
<b>Mechanical Data</b>			
Slider Length	mm (in)	900	(35)
Slider Mass	g (lb)	2020	(4.44)



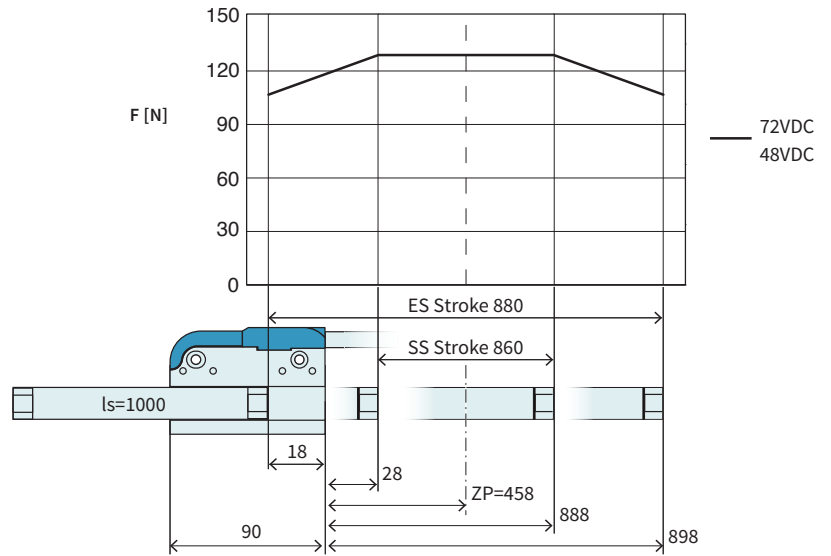
Item	Description	Item-No.
<b>PS01-37Sx60-HP-N</b>	Stator HP, Cable -90°, 0°, +90°	0150-1295
<b>PL01-20x900/840-HP</b>	Slider 'High Performance'	0150-1513
<b>PL02-20x900/840-HP</b>	Slider 'heavy duty' 'High Performance'	0150-2170
<b>PL01-20x900/840-HP-L*</b>	Slider 'High Performance' L'	0150-3702

\* With this slider, the motor specifications above change.

**P01-37Sx60/860x880-HP**

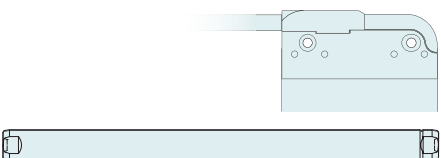
3

**Max. Stroke:** 880 mm  
**Peak Force:** 128 N



Dimensions in mm

Technical Data P01-37Sx60/860x880-HP			
<b>Stroke</b>			
Standard Stroke (SS)	mm (in)		860 (33.89)
Extended Stroke (ES)	mm (in)		880 (34.6)
<b>Force</b>			
Max. Force @ 48VDC	N (lbf)		128 (28.7)
Max. Force @ 72VDC	N (lbf)		128 (28.7)
Max. Cont. Force [Passive cooling / Fan / Fluid]	N (lbf)		16 / 33 / - (3.7 / 7.3 / -)
Max. Border Force relative	%		83
Force Constant	N/A <sub>pk</sub> (lbf/A <sub>pk</sub> )		13.4 (3.02)
<b>Velocity</b>			
Max. Velocity @ 48VDC	m/s (in/s)		3.2 (129.9)
Max. Velocity @ 72VDC	m/s (in/s)		4.9 (189.9)
<b>Position Detection</b>			
Repeatability	mm (in)		±0.05 (±0.002)
Linearity	%		± 0.15
<b>Electrical Data</b>			
Max. Current @ 48VDC	A <sub>pk</sub>		9.4
Max. Current @ 72VDC	A <sub>pk</sub>		9.4
Max. Cont. Current [Passive cooling / Fan / Fluid]	A <sub>pk</sub>		1.2 / 2.4 / -
<b>Thermal Data</b>			
Max. Winding Temperature (Sensor)	°C		120
Thermal Resistance [Passive cooling / Fan / Fluid]	*K/W		12 / 3 / -
Thermal Time Constant [Passive cooling / Fan / Fluid]	s		2400 / 600 / -
<b>Mechanical Data</b>			
Slider Length	mm (in)		1000 (39)
Slider Mass	g (lb)		2230 (4.91)



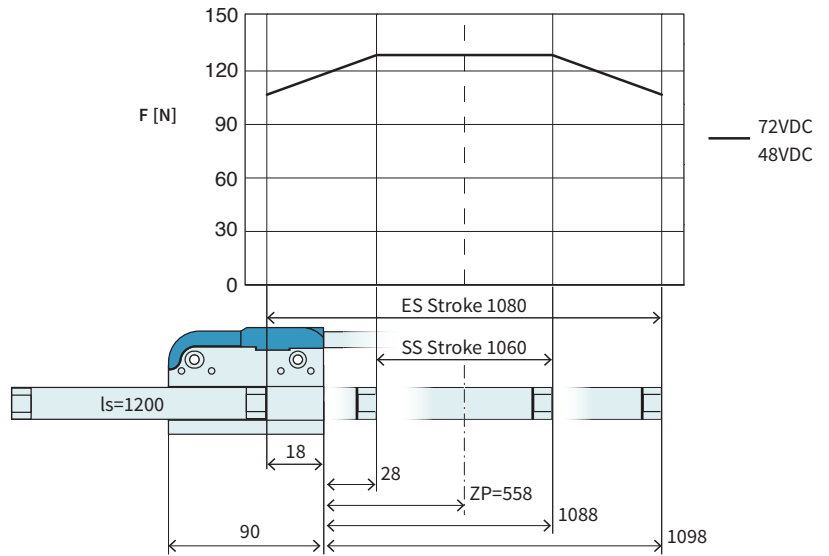
Item	Description	Item-No.
<b>PS01-37Sx60-HP-N</b>	Stator HP, Cable -90°, 0°, +90°	0150-1295
<b>PL01-20x1000/940-HP</b>	Slider 'High Performance'	0150-1514
<b>PL01-20x1000/940-HP-L*</b>	Slider 'High Performance L'	0150-3703

\* With this slider, the motor specifications above change.



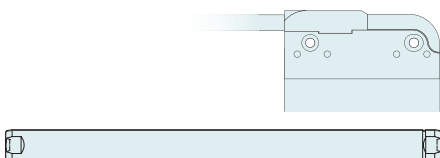
**P01-37Sx60/1060x1080-HP**

**Max. Stroke:** 1080 mm  
**Peak Force:** 128 N



Dimensions in mm

Technical Data P01-37Sx60/1060x1080-HP				
<b>Stroke</b>				
Standard Stroke (SS)	mm	(in)	1060	(41.7)
Extended Stroke (ES)	mm	(in)	1080	(42.49)
<b>Force</b>				
Max. Force @ 48VDC	N	(lbf)	128	(28.7)
Max. Force @ 72VDC	N	(lbf)	128	(28.7)
Max. Cont. Force [Passive cooling / Fan / Fluid]	N	(lbf)	16 / 33 / -	(3.7 / 7.3 / -)
Max. Border Force relative	%		83	
Force Constant	N/A <sub>pk</sub>	(lbf/A <sub>pk</sub> )	13.4	(3.02)
<b>Velocity</b>				
Max. Velocity @ 48VDC	m/s	(in/s)	3.2	(129.9)
Max. Velocity @ 72VDC	m/s	(in/s)	4.9	(189.9)
<b>Position Detection</b>				
Repeatability	mm	(in)	±0.05	(±0.002)
Linearity	%		±0.15	
<b>Electrical Data</b>				
Max. Current @ 48VDC	A <sub>pk</sub>		9.4	
Max. Current @ 72VDC	A <sub>pk</sub>		9.4	
Max. Cont. Current [Passive cooling / Fan / Fluid]	A <sub>pk</sub>		1.2 / 2.4 / -	
<b>Thermal Data</b>				
Max. Winding Temperature (Sensor)	°C		120	
Thermal Resistance [Passive cooling / Fan / Fluid]	°K/W		12 / 3 / -	
Thermal Time Constant [Passive cooling / Fan / Fluid]	s		2400 / 600 / -	
<b>Mechanical Data</b>				
Slider Length	mm	(in)	1200	(47)
Slider Mass	g	(lb)	2690	(5.92)

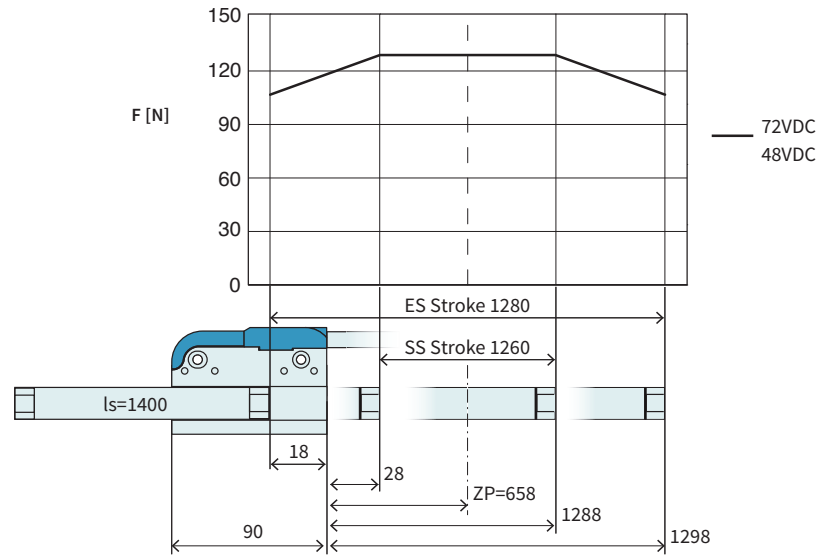


Item	Description	Item-No.
<b>PS01-37Sx60-HP-N</b>	Stator HP, Cable -90°, 0°, +90°	0150-1295
<b>PL01-20x1200/1140-HP</b>	Slider 'High Performance'	0150-1515
<b>PL01-20x1200/1140-HP-L*</b>	Slider 'High Performance L'	0150-2510

\* With this slider, the motor specifications above change.

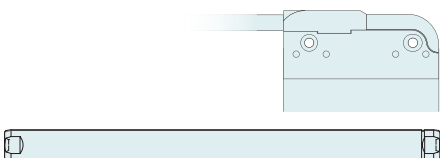
**P01-37Sx60/1260x1280-HP**

**Max. Stroke:** 1280 mm  
**Peak Force:** 128 N



Dimensions in mm

Technical Data P01-37Sx60/1260x1280-HP			
<b>Stroke</b>			
Standard Stroke (SS)	mm (in)	1260	(49.6)
Extended Stroke (ES)	mm (in)	1280	(50.39)
<b>Force</b>			
Max. Force @ 48VDC	N (lbf)	128	(28.7)
Max. Force @ 72VDC	N (lbf)	128	(28.7)
Max. Cont. Force [Passive cooling/ Fan / Fluid]	N (lbf)	16 / 33 / -	(3.7 / 7.3 / -)
Max. Border Force relative	%	83	
Force Constant	N/A <sub>pk</sub> (lbf/A <sub>pk</sub> )	13.4	(3.02)
<b>Velocity</b>			
Max. Velocity @ 48VDC	m/s (in/s)	3.2	(129.9)
Max. Velocity @ 72VDC	m/s (in/s)	4.9	(189.9)
<b>Position Detection</b>			
Repeatability	mm (in)	±0.05	(±0.002)
Linearity	%	± 0.15	
<b>Electrical Data</b>			
Max. Current @ 48VDC	A <sub>pk</sub>	9.4	
Max. Current @ 72VDC	A <sub>pk</sub>	9.4	
Max. Cont. Current [Passive cooling / Fan / Fluid]	A <sub>pk</sub>	1.2 / 2.4 / -	
<b>Thermal Data</b>			
Max. Winding Temperature (Sensor)	°C	120	
Thermal Resistance [Passive cooling / Fan / Fluid]	°K/W	12 / 3 / -	
Thermal Time Constant [Passive cooling / Fan / Fluid]	s	2400 / 600 / -	
<b>Mechanical Data</b>			
Slider Length	mm (in)	1400	(55)
Slider Mass	g (lb)	3160	(6.95)

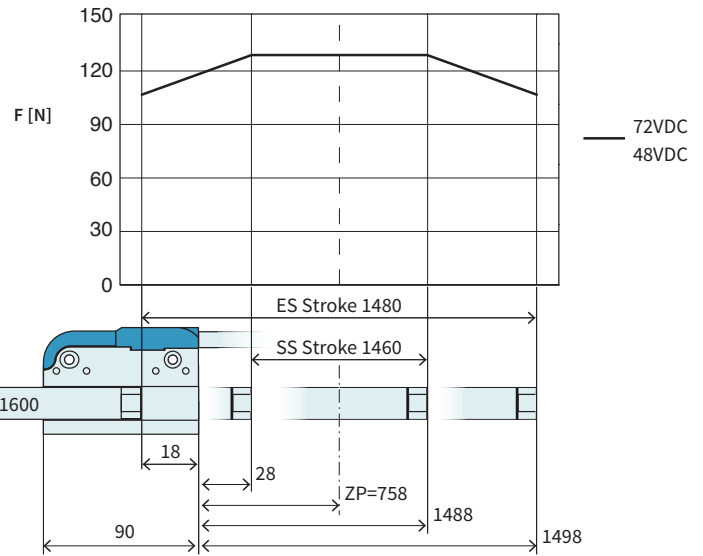


Item	Description	Item-No.
<b>PS01-37Sx60-HP-N</b>	Stator HP, Cable -90°, 0°, +90°	0150-1295
<b>PL01-20x1400/1340-HP</b>	Slider 'High Performance'	0150-1516
<b>PL01-20x1400/1340-HP-L*</b>	Slider 'High Performance L'	on request

\* With this slider, the motor specifications above change.

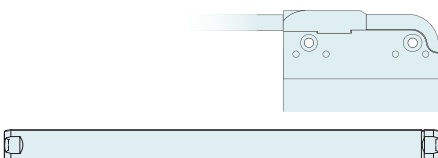
**P01-37Sx60/1460x1480-HP**

**Max. Stroke:** 1480 mm  
**Peak Force:** 128 N



Dimensions in mm

Technical Data P01-37Sx60/1460x1480-HP				
<b>Stroke</b>				
Standard Stroke (SS)	mm (in)		1460	(57.49)
Extended Stroke (ES)	mm (in)		1480	(58.29)
<b>Force</b>				
Max. Force @ 48VDC	N (lbf)		128	(28.7)
Max. Force @ 72VDC	N (lbf)		128	(28.7)
Max. Cont. Force [Passive cooling / Fan / Fluid]	N (lbf)		16 / 33 / -	(3.7 / 7.3 / -)
Max. Border Force relative	%		83	
Force Constant	N/A <sub>pk</sub> (lbf/A <sub>pk</sub> )		13.4	(3.02)
<b>Velocity</b>				
Max. Velocity @ 48VDC	m/s (in/s)		3.2	(129.9)
Max. Velocity @ 72VDC	m/s (in/s)		4.9	(189.9)
<b>Position Detection</b>				
Repeatability	mm (in)		±0.05	(±0.002)
Linearity	%		±0.15	
<b>Electrical Data</b>				
Max. Current @ 48VDC	A <sub>pk</sub>		9.4	
Max. Current @ 72VDC	A <sub>pk</sub>		9.4	
Max. Cont. Current [Passive cooling / Fan / Fluid]	A <sub>pk</sub>		1.2 / 2.4 / -	
<b>Thermal Data</b>				
Max. Winding Temperature (Sensor)	°C		120	
Thermal Resistance [Passive cooling / Fan / Fluid]	*K/W		12 / 3 / -	
Thermal Time Constant [Passive cooling / Fan / Fluid]	s		2400 / 600 / -	
<b>Mechanical Data</b>				
Slider Length	mm (in)		1600	(63)
Slider Mass	g (lb)		3620	(7.96)

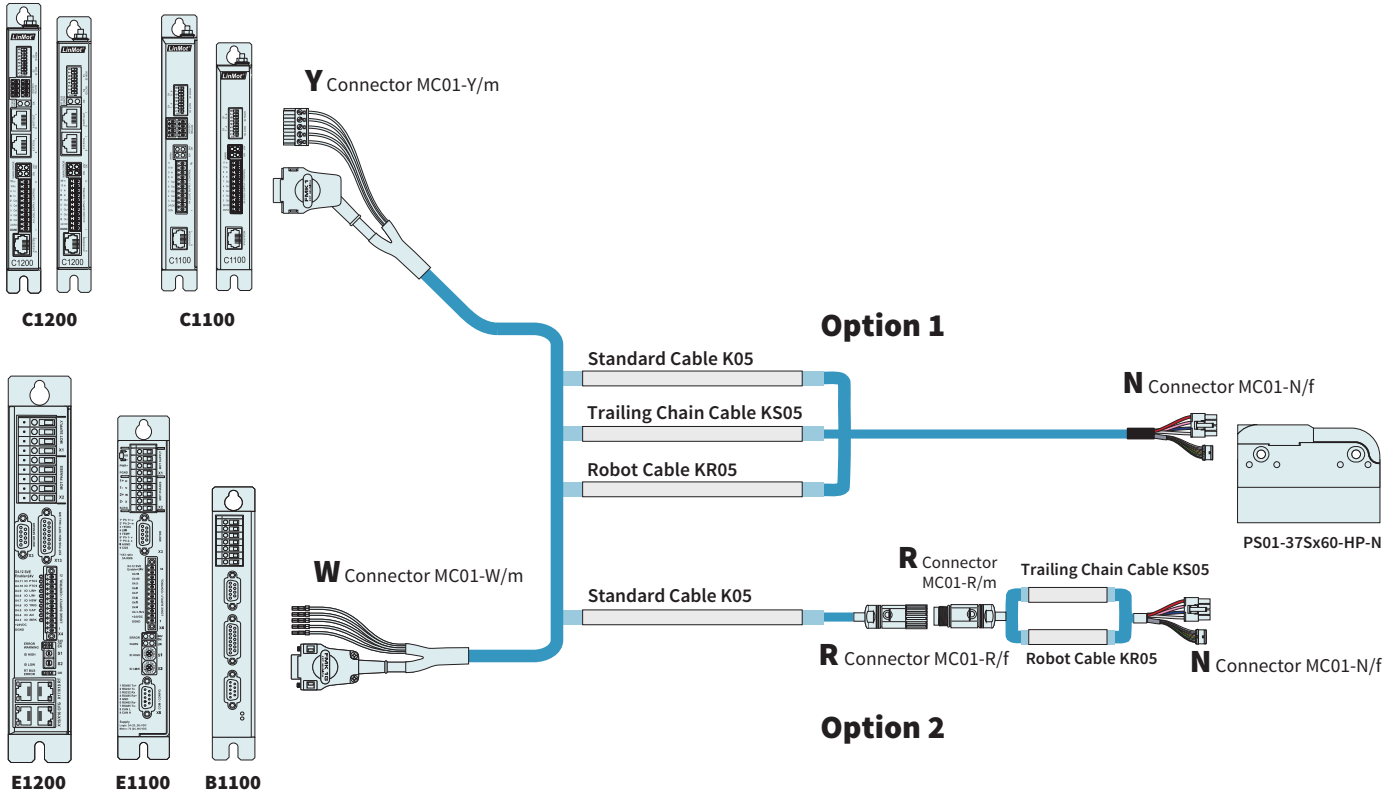


Item	Description	Item-No.
<b>PS01-37Sx60-HP-N</b>	Stator HP, Cable -90°, 0°, +90°	0150-1295
<b>PL01-20x1600/1540-HP</b>	Slider 'High Performance'	0150-1517
<b>PL01-20x1600/1540-HP-L*</b>	Slider 'High Performance L'	on request

\* With this slider, the motor specifications above change.

**Motor Cable**

3



**ORDERING INFORMATION**

OPTION 1		
Item	Description	Item-No.
<b>K05-W/N-</b>	Motor Cable W/N, Custom length	0150-3756
<b>K05-Y-Fe/N-</b>	Motor Cable Y/N, Custom length	0150-3503
<b>KS05-W/N-2</b>	Trailing Chain Cable W/N, 2 m	0150-2296
<b>KS05-W/N-4</b>	Trailing Chain Cable W/N, 4 m	0150-2297
<b>KS05-W/N-6</b>	Trailing Chain Cable W/N, 6 m	0150-2298
<b>KS05-W/N-8</b>	Trailing Chain Cable W/N, 8 m	0150-2299
<b>KS05-W/N-</b>	Trailing Chain Cable W/N, Custom length	0150-3412
<b>KS05-Y/N-2</b>	Trailing Chain Cable Y/N, 2 m	0150-2442
<b>KS05-Y/N-4</b>	Trailing Chain Cable Y/N, 4 m	0150-2443
<b>KS05-Y/N-6</b>	Trailing Chain Cable Y/N, 6 m	0150-2444
<b>KS05-Y/N-8</b>	Trailing Chain Cable Y/N, 8 m	0150-2445
<b>KS05-Y-Fe/N-</b>	Trailing Chain Cable Y/N, Custom length	0150-3509
<b>KR05-W/N-</b>	Robot Cable W/N, Custom length	0150-3406
<b>KR05-Y-Fe/N-</b>	Robot Cable Y/N, Custom length	0150-3514

OPTION 2		
Item	Description	Item-No.
<b>K05-W/R-2</b>	Motor Cable W/R, 2 m	0150-2119
<b>K05-W/R-4</b>	Motor Cable W/R, 4 m	0150-2120
<b>K05-W/R-6</b>	Motor Cable W/R, 6 m	0150-2121
<b>K05-W/R-8</b>	Motor Cable W/R, 8 m	0150-2122
<b>K05-W/R-</b>	Motor Cable W/R, Custom length	0150-3262
<b>K05-Y/R-2</b>	Motor Cable Y/R, 2 m	0150-2421
<b>K05-Y/R-4</b>	Motor Cable Y/R, 4 m	0150-2422
<b>K05-Y/R-6</b>	Motor Cable Y/R, 6 m	0150-2423
<b>K05-Y/R-8</b>	Motor Cable Y/R, 8 m	0150-2424
<b>K05-Y-Fe/R-</b>	Motor Cable Y/R, Custom length	0150-3501
<b>KS05-R/N-</b>	Trailing Chain Cable R/N, Custom length	0150-3486
<b>KR05-R/N-</b>	Robot Cable R/N, Custom length	0150-3757

CONNECTOR & CABLE (INDIVIDUAL)		
Item	Description	Item-No.
<b>MC01-W/m</b>	Motor Connector W/m	0150-3140
<b>MC01-Y-Fe/m</b>	Motor Connector Y-Fe/m	0150-3289
<b>MC01-R/f</b>	Motor Connector R/f	0150-3129
<b>MC01-N/f</b>	Motor Connector N/f	0150-3407
<b>K05-04/05</b>	Motor Cable per m	0150-1920
<b>KS05-04/05</b>	Trailing Chain Cable per m	0150-1938
<b>KR05-04/05</b>	Robot Cable per m	0150-1846

**SLIDER MOUNTING**

3



Item	Description	Item-No.
<b>PLF01-20</b>	Fixed Bearing Set for 19/20 mm sliders	0150-3083
<b>PLF01-20-SS</b>	Fixed Bearing Set for 19/20 mm sliders, stainless steel	0150-3296
<b>PLL01-19</b>	Floating Bearing for 19 mm sliders	0150-3335
<b>PLL01-20</b>	Floating Bearing for 20 mm sliders	0150-3084
<b>PLM01-20-MK</b>	Mounting Kit for 20 mm sliders	0150-3079

FIND MORE PRODUCT DETAILS IN THE CHAPTER "ACCESSORIES".

**EXTERNAL POSITION SENSORS**



Item	Description	Item-No.
<b>MS01-1/D</b>	Linear Encoder 1µm, A/B (for incremental strip)	0150-1840
<b>MB01-1000</b>	Magnetic incremental strip for MS01-1/D, per cm	0150-1963
<b>KS025-D/D-Encoder</b>	Encoder Cable (Length in m)	0150-3166
<b>KS025-D/D15-Encoder</b>	Encoder Cable (Length in m)	0150-3168

FIND MORE PRODUCT DETAILS IN THE CHAPTER "ACCESSORIES".



Item	Description	Item-No.
<b>MS01-1/D-SSI</b>	Linear Encoder 1µm, A/B (for absolute strip)	0150-2095
<b>MB01-1000-ABS</b>	Magnetic absolute strip for MS01-1/D-SSI (per cm)	0150-2096
<b>EC01-ABS/ENC-12-S</b>	MS01-1/D-SSI Encoder connector straight	0150-3616
<b>KSS01-12-D15/ABS-ENC</b>	Special cable for MS01-1/D-SSI on C1100/C1200/C1400/E1200/E1400 Drives	0150-3652

FIND MORE PRODUCT DETAILS IN THE CHAPTER "ACCESSORIES".

# LINEAR MOTORS P01-37x120



- ✓ Highly dynamic drives
- ✓ Wide stroke range
- ✓ Available with cable outlet or with rotatable connector
- ✓ Optional with air cooling
- ✓ Wide range of applications in handling modules as well as in plant and machine construction

## LINEAR MOTORS P01-37x120

<b>Technical Data</b>	<b>199</b>
<b>Motor Specifications</b>	
P01-37x120/40x120-LC	<b>202</b>
P01-37x120/100x180-LC	<b>203</b>
P01-37x120/200x280-LC	<b>204</b>
P01-37x120/300x380-LC	<b>205</b>
P01-37x120/400x480-LC	<b>206</b>
P01-37x120/500x580-LC	<b>207</b>
P01-37x120/600x680-LC	<b>208</b>
P01-37x120/700x780-LC	<b>209</b>
P01-37x120/800x880-LC	<b>210</b>
P01-37x120/1000x1080-LC	<b>211</b>
P01-37x120/1200x1280-LC	<b>212</b>
P01-37x120/1400x1480-LC	<b>213</b>
<b>Linear Guides</b>	<b>214</b>
<b>Accessories</b>	<b>216</b>

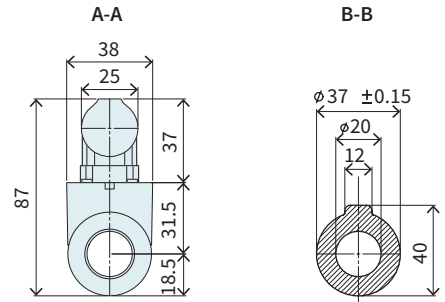
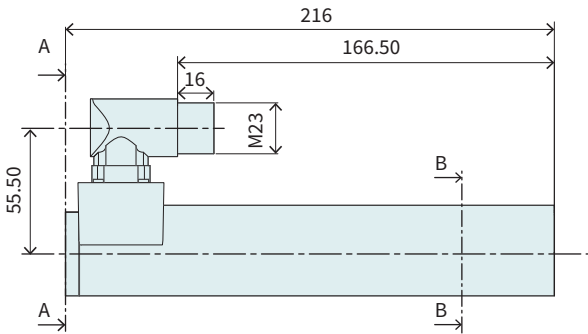




### MOTOR FAMILY P01-37x120

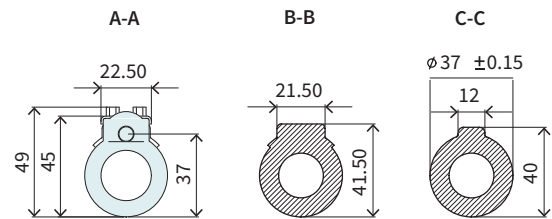
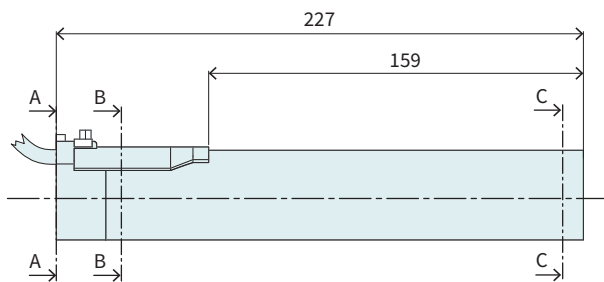
Technical Data				
<b>Stroke</b>				
Standard Stroke (SS)	mm	(in)	≤ 1400	(≤ 55.1)
Extended Stroke (ES)	mm	(in)	≤ 1480	(≤ 58.3)
<b>Force</b>				
Max. Force @ 48VDC	N	(lbf)	128	(28.7)
Max. Force @ 72VDC	N	(lbf)	163	(36.7)
Max. Cont. Force [Passive cooling / Fan / Fluid]	N	(lbf)	28 / 52 / -	(6.4 / 12 / -)
Max. Border Force relative			%	
			≤ 67	
Force Constant	N/A <sub>pk</sub>	(lbf/A <sub>pk</sub> )	20.4	(4.59)
<b>Velocity</b>				
Max. Velocity @ 48VDC	m/s	(in/s)	2.2	(84.9)
Max. Velocity @ 72VDC	m/s	(in/s)	3.2	(129.9)
<b>Position Detection</b>				
Position Resolution	mm	(in)	0.005	(0.0002)
Repeatability	mm	(in)	±0.05	(±0.002)
Position Resolution with ES	mm	(in)	0.001	(0.00004)
Repeatability with ES	mm	(in)	±0.01	(±0.0004)
Linearity with ES	mm	(in)	±0.01	(±0.0004)
<b>Electrical Data</b>				
Max. Current @ 48VDC	A <sub>pk</sub>		6.2	
Max. Current @ 72VDC	A <sub>pk</sub>		7.9	
Max. Cont. Current [Passive cooling / Fan / Fluid]	A <sub>pk</sub>		1.4 / 2.5 / -	
Terminal Resistance 25 °C / 120 °C	Ohm		6.2 / 8.5	
Terminal Inductivity	mH		3.1	
Magnetic Period	mm	(in)	40	(1.57)
<b>Thermal Data</b>				
Max. Winding Temperature (Sensor)	°C		90	
Thermal Resistance [Passive cooling / Fan / Fluid]	°K/W		3.3 / 0.98 / -	
Thermal Time Constant [Passive cooling / Fan / Fluid]	s		1300 / 390 / -	
<b>Mechanical Data</b>				
Stator Diameter	mm	(in)	37	(1.5)
Stator Length [Connector type / Cable type]	mm	(in)	216 / 227	(8.5 / 8.9)
Stator Mass	g	(lb)	740	(1.6)
Slider Diameter	mm	(in)	20	(0.79)
Slider Length	mm	(in)	240 - 1600	(9.4 - 63)
Slider Mass	g	(lb)	490 - 3620	(1.1 - 7.96)
IP Code			IP 65	

**STATOR CONNECTOR TYPE**



Item	Description	Item-No.
<b>PS01-37x120-C</b>	Stator with IP67 Connector M23/9(m)	0150-1223

**STATOR CABLE TYPE**

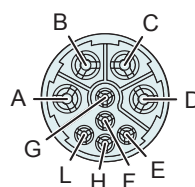


Item	Description	Item-No.
<b>PS01-37x120</b>	Stator, 1.5 m Cable, Connector P/10(m)	0150-1204
<b>PS01-37x120-C20</b>	Stator, 0.2 m Cable, IP67 St. M23/9(m)	0150-1237

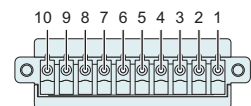
**CONNECTOR**

Motor Connector Wiring	PS01-37x120-C PS01-37x120-C20	PS01-37x120	Wire color motor cable
	C-Connector	P-Connector	
Ph 1+	A	1	red
Ph 1-	B	2	pink
Ph 2+	C	3	blue
Ph 2-	D	4	grey
+5VDC	E	5	white
GND	F	6	inner shield
Sin	G	7	yellow
Cos	H	8	green
Temp.	L	9	black
Shield	Housing	10	outer Shield

**C-Connector**



**P-Connector**

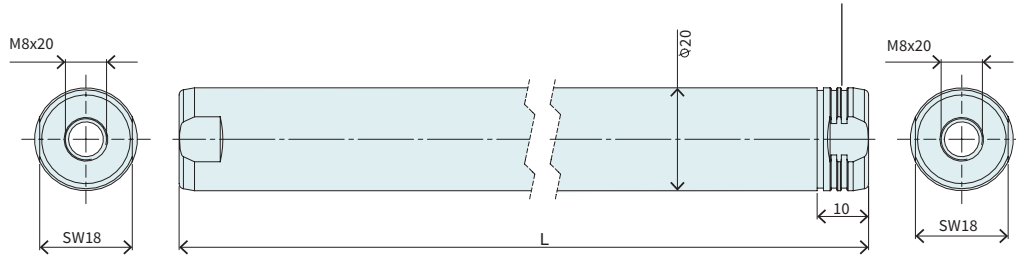


View: Motor Connector, plug side

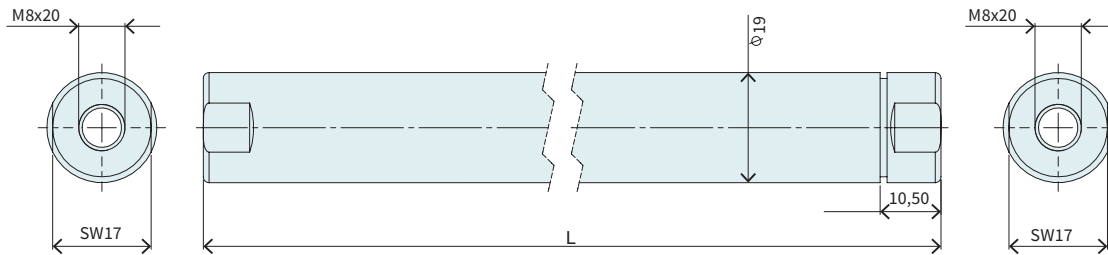
**SLIDER**

**Slider Standard / Heavy Duty**

Number of grooves determines the slider type (see chapter 2 / slider) and marks the front end.



**High-Clearance Slider**



Slider Standard				
Item	Description	Max. Stroke [mm]	Standard Stroke [mm]	Item-No.
PL01-20x240/180-LC	Slider 'standard LC'	120	40	0150-2560
PL01-20x300/240-LC	Slider 'standard LC'	180	100	0150-2561
PL01-20x400/340-LC	Slider 'standard LC'	280	200	0150-2562
PL01-20x500/440-LC	Slider 'standard LC'	380	300	0150-2563
PL01-20x600/540-LC	Slider 'standard LC'	480	400	0150-2564
PL01-20x700/640-LC	Slider 'standard LC'	580	500	0150-2565
PL01-20x800/740-LC	Slider 'standard LC'	680	600	0150-2566
PL01-20x900/840-LC	Slider 'standard LC'	780	700	0150-2567
PL01-20x1000/940-LC	Slider 'standard LC'	880	800	0150-2568
PL01-20x1200/1140-LC	Slider 'standard LC'	1080	1000	0150-2569
PL01-20x1400/1340-LC	Slider 'standard LC'	1280	1200	0150-2570
PL01-20x1600/1540-LC	Slider 'standard LC'	1480	1400	0150-2571

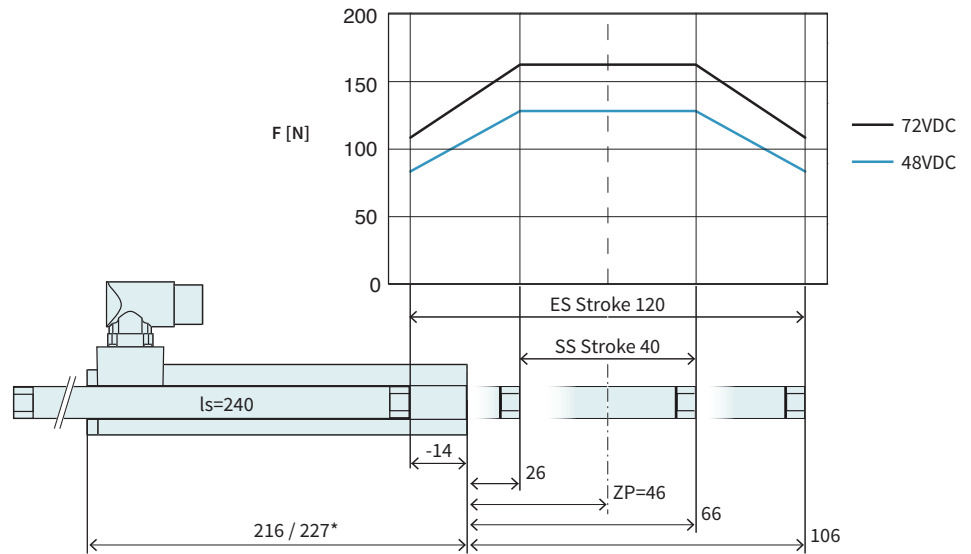
Slider Heavy Duty				
Item	Description	Max. Stroke [mm]	Standard Stroke [mm]	Item-No.
PL02-20x240/180-LC	Slider 'heavy duty LC'	120	40	0150-2572
PL02-20x300/240-LC	Slider 'heavy duty LC'	180	100	0150-2573
PL02-20x400/340-LC	Slider 'heavy duty LC'	280	200	0150-2574
PL02-20x500/440-LC	Slider 'heavy duty LC'	380	300	0150-2575
PL02-20x600/540-LC	Slider 'heavy duty LC'	480	400	0150-2576
PL02-20x700/640-LC	Slider 'heavy duty LC'	580	500	0150-2577
PL02-20x800/740-LC	Slider 'heavy duty LC'	680	600	0150-2578
PL02-20x900/840-LC	Slider 'heavy duty LC'	780	700	0150-2579

High-Clearance Slider				
Item	Description	Max. Stroke [mm]	Standard Stroke [mm]	Item-No.
PL01-19x240/160	Slider 'high clearance'	100	80	0150-1488
PL01-19x300/220	Slider 'high clearance'	160	140	0150-1489
PL01-19x395/320	Slider 'high clearance'	260	240	0150-1452
PL01-19x500/420	Slider 'high clearance'	360	340	0150-1455
PL01-19x600/520	Slider 'high clearance'	460	440	0150-1456
PL01-19x700/620	Slider 'high clearance'	560	540	0150-1457

**P01-37x120/40x120-LC**

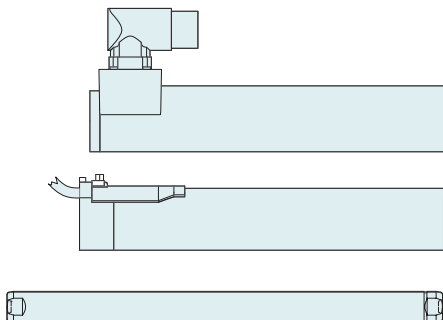
3

**Max. Stroke:** 120 mm  
**Peak Force:** 163 N



Dimensions in mm  
 \* Cable Type

Technical Data P01-37x120/40x120-LC			
<b>Stroke</b>			
Standard Stroke (SS)	mm (in)		40 (1.57)
Extended Stroke (ES)	mm (in)		120 (4.71)
<b>Force</b>			
Max. Force @ 48VDC	N (lbf)		128 (28.7)
Max. Force @ 72VDC	N (lbf)		163 (36.7)
Max. Cont. Force [Passive cooling / Fan / Fluid]	N (lbf)		28 / 52 / - (6.4 / 12 / -)
Max. Border Force relative	%		67
Force Constant	N/A <sub>pk</sub> (lbf/A <sub>pk</sub> )		20.4 (4.59)
<b>Velocity</b>			
Max. Velocity @ 48VDC	m/s (in/s)		2.2 (84.9)
Max. Velocity @ 72VDC	m/s (in/s)		3.2 (129.9)
<b>Position Detection</b>			
Repeatability	mm (in)		±0.05 (±0.002)
Linearity	%		± 0.5
<b>Electrical Data</b>			
Max. Current @ 48VDC	A <sub>pk</sub>		6.2
Max. Current @ 72VDC	A <sub>pk</sub>		7.9
Max. Cont. Current [Passive cooling / Fan / Fluid]	A <sub>pk</sub>		1.4 / 2.5 / -
<b>Thermal Data</b>			
Max. Winding Temperature (Sensor)	°C		90
Thermal Resistance [Passive cooling / Fan / Fluid]	°K/W		3.3 / 0.98 / -
Thermal Time Constant [Passive cooling / Fan / Fluid]	s		1300 / 390 / -
<b>Mechanical Data</b>			
Slider Length	mm (in)		240 (9.4)
Slider Mass	g (lb)		490 (1.08)

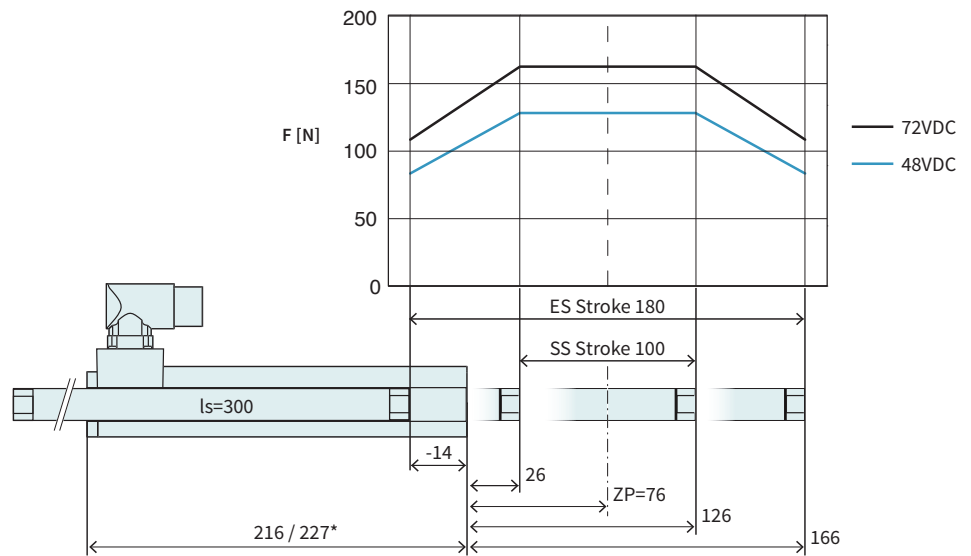


Item	Description	Item-No.
<b>PS01-37x120-C</b>	Stator with IP67 Connector M23/9(m)	0150-1223
<b>PS01-37x120</b>	Stator, 1.5m Cable, Connector P/10(m)	0150-1204
<b>PS01-37x120-C20</b>	Stator, 0.2m Cable, IP67 St. M23/9(m)	0150-1237
<b>PL01-20x240/180-LC</b>	Slider 'standard LC'	0150-2560
<b>PL02-20x240/180-LC</b>	Slider 'heavy duty LC'	0150-2572
<b>PL01-19x240/160*</b>	Slider 'high clearance'	0150-1448

\* With this slider, the motor specifications above change.

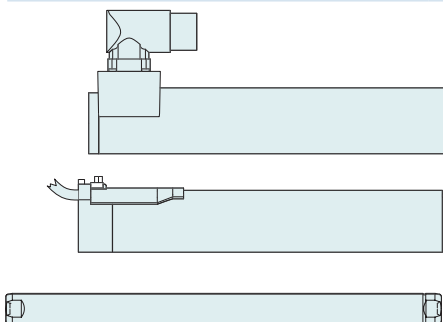
**P01-37x120/100x180-LC**

**Max. Stroke:** 180 mm  
**Peak Force:** 163 N



Dimensions in mm  
 \* Cable Type

Technical Data P01-37x120/100x180-LC				
<b>Stroke</b>				
Standard Stroke (SS)	mm (in)		100 (3.93)	
Extended Stroke (ES)	mm (in)		180 (7.08)	
<b>Force</b>				
Max. Force @ 48VDC	N (lbf)		128 (28.7)	
Max. Force @ 72VDC	N (lbf)		163 (36.7)	
Max. Cont. Force [Passive cooling / Fan / Fluid]	N (lbf)		28 / 52 / - (6.4 / 12 / -)	
Max. Border Force relative	%		67	
Force Constant	N/A <sub>pk</sub> (lbf/A <sub>pk</sub> )		20.4 (4.59)	
<b>Velocity</b>				
Max. Velocity @ 48VDC	m/s (in/s)		2.2 (84.9)	
Max. Velocity @ 72VDC	m/s (in/s)		3.2 (129.9)	
<b>Position Detection</b>				
Repeatability	mm (in)		±0.05 (±0.002)	
Linearity	%		± 0.4	
<b>Electrical Data</b>				
Max. Current @ 48VDC	A <sub>pk</sub>		6.2	
Max. Current @ 72VDC	A <sub>pk</sub>		7.9	
Max. Cont. Current [Passive cooling / Fan / Fluid]	A <sub>pk</sub>		1.4 / 2.5 / -	
<b>Thermal Data</b>				
Max. Winding Temperature (Sensor)	°C		90	
Thermal Resistance [Passive cooling / Fan / Fluid]	°K/W		3.3 / 0.98 / -	
Thermal Time Constant [Passive cooling / Fan / Fluid]	s		1300 / 390 / -	
<b>Mechanical Data</b>				
Slider Length	mm (in)		300 (12)	
Slider Mass	g (lb)		630 (1.39)	

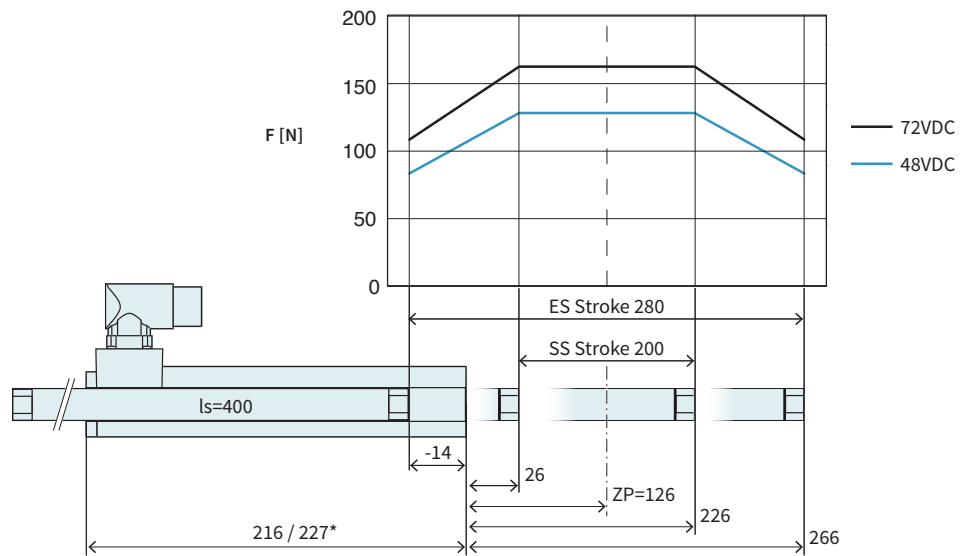


Item	Description	Item-No.
<b>PS01-37x120-C</b>	Stator with IP67 Connector M23/9(m)	0150-1223
<b>PS01-37x120</b>	Stator, 1.5m Cable, Connector P/10(m)	0150-1204
<b>PS01-37x120-C20</b>	Stator, 0.2m Cable, IP67 St. M23/9(m)	0150-1237
<b>PL01-20x300/240-LC</b>	Slider 'standard LC'	0150-2561
<b>PL02-20x300/240-LC</b>	Slider 'heavy duty LC'	0150-2573
<b>PL01-19x300/220*</b>	Slider 'high clearance'	0150-1449

\* With this slider, the motor specifications above change.

**P01-37x120/200x280-LC**

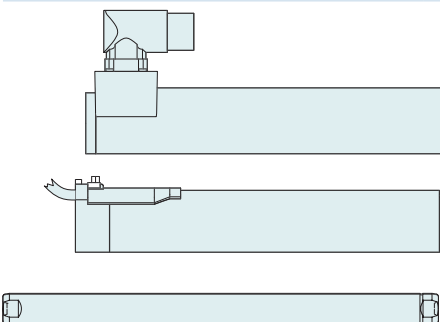
**Max. Stroke:** 280 mm  
**Peak Force:** 163 N



Dimensions in mm  
 \* Cable Type

Technical Data P01-37x120/200x280-LC

Technical Data P01-37x120/200x280-LC			
<b>Stroke</b>			
Standard Stroke (SS)	mm (in)	200 (7.86)	
Extended Stroke (ES)	mm (in)	280 (10.99)	
<b>Force</b>			
Max. Force @ 48VDC	N (lbf)	128 (28.7)	
Max. Force @ 72VDC	N (lbf)	163 (36.7)	
Max. Cont. Force [Passive cooling / Fan / Fluid]	N (lbf)	28 / 52 / - (6.4 / 12 / -)	
Max. Border Force relative	%	67	
Force Constant	N/A <sub>pk</sub> (lbf/A <sub>pk</sub> )	20.4 (4.59)	
<b>Velocity</b>			
Max. Velocity @ 48VDC	m/s (in/s)	2.2 (84.9)	
Max. Velocity @ 72VDC	m/s (in/s)	3.2 (129.9)	
<b>Position Detection</b>			
Repeatability	mm (in)	±0.05 (±0.002)	
Linearity	%	± 0.3	
<b>Electrical Data</b>			
Max. Current @ 48VDC	A <sub>pk</sub>	6.2	
Max. Current @ 72VDC	A <sub>pk</sub>	7.9	
Max. Cont. Current [Passive cooling / Fan / Fluid]	A <sub>pk</sub>	1.4 / 2.5 / -	
<b>Thermal Data</b>			
Max. Winding Temperature (Sensor)	°C	90	
Thermal Resistance [Passive cooling / Fan / Fluid]	°K/W	3.3 / 0.98 / -	
Thermal Time Constant [Passive cooling / Fan / Fluid]	s	1300 / 390 / -	
<b>Mechanical Data</b>			
Slider Length	mm (in)	400 (16)	
Slider Mass	g (lb)	860 (1.89)	

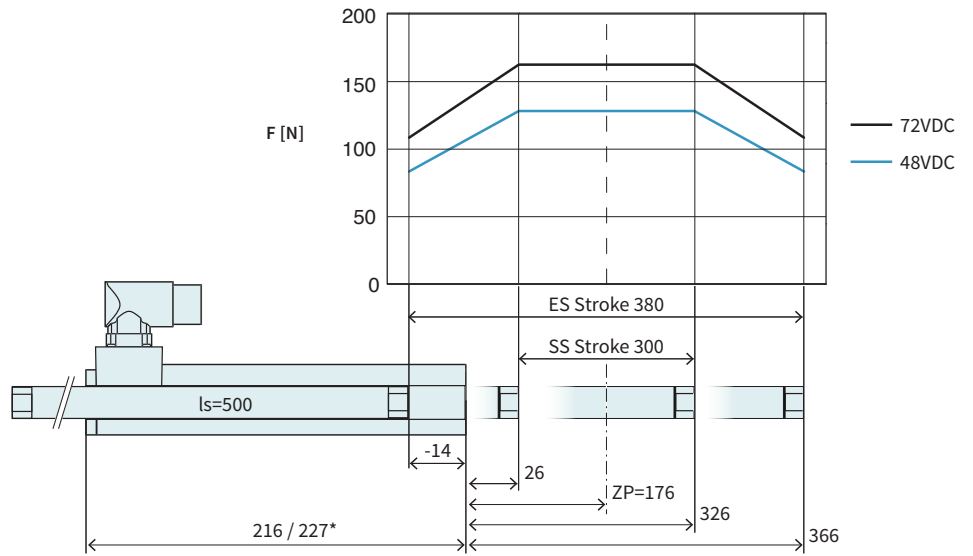


Item	Description	Item-No.
<b>PS01-37x120-C</b>	Stator with IP67 Connector M23/9(m)	0150-1223
<b>PS01-37x120</b>	Stator, 1.5m Cable, Connector P/10(m)	0150-1204
<b>PS01-37x120-C20</b>	Stator, 0.2m Cable, IP67 St. M23/9(m)	0150-1237
<b>PL01-20x400/340-LC</b>	Slider 'standard LC'	0150-2562
<b>PL02-20x400/340-LC</b>	Slider 'heavy duty LC'	0150-2574
<b>PL01-19x395/320*</b>	Slider 'high clearance'	0150-1452

\* With this slider, the motor specifications above change.

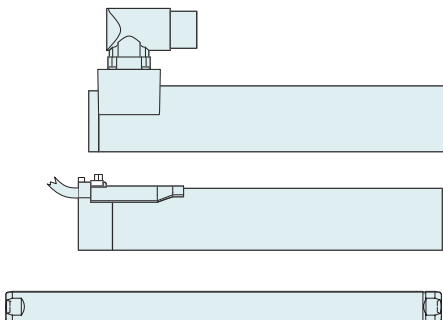
**P01-37x120/300x380-LC**

**Max. Stroke:** 380 mm  
**Peak Force:** 163 N



Dimensions in mm  
 \* Cable Type

Technical Data P01-37x120/300x380-LC			
<b>Stroke</b>			
Standard Stroke (SS)	mm (in)	300 (11.8)	
Extended Stroke (ES)	mm (in)	380 (14.99)	
<b>Force</b>			
Max. Force @ 48VDC	N (lbf)	128 (28.7)	
Max. Force @ 72VDC	N (lbf)	163 (36.7)	
Max. Cont. Force [Passive cooling / Fan / Fluid]	N (lbf)	28 / 52 / - (6.4 / 12 / -)	
Max. Border Force relative	%	67	
Force Constant	N/A <sub>pk</sub> (lbf/A <sub>pk</sub> )	20.4 (4.59)	
<b>Velocity</b>			
Max. Velocity @ 48VDC	m/s (in/s)	2.2 (84.9)	
Max. Velocity @ 72VDC	m/s (in/s)	3.2 (129.9)	
<b>Position Detection</b>			
Repeatability	mm (in)	±0.05 (±0.002)	
Linearity	%	± 0.25	
<b>Electrical Data</b>			
Max. Current @ 48VDC	A <sub>pk</sub>	6.2	
Max. Current @ 72VDC	A <sub>pk</sub>	7.9	
Max. Cont. Current [Passive cooling / Fan / Fluid]	A <sub>pk</sub>	1.4 / 2.5 / -	
<b>Thermal Data</b>			
Max. Winding Temperature (Sensor)	°C	90	
Thermal Resistance [Passive cooling / Fan / Fluid]	°K/W	3.3 / 0.98 / -	
Thermal Time Constant [Passive cooling / Fan / Fluid]	s	1300 / 390 / -	
<b>Mechanical Data</b>			
Slider Length	mm (in)	500 (20)	
Slider Mass	g (lb)	1090 (2.4)	

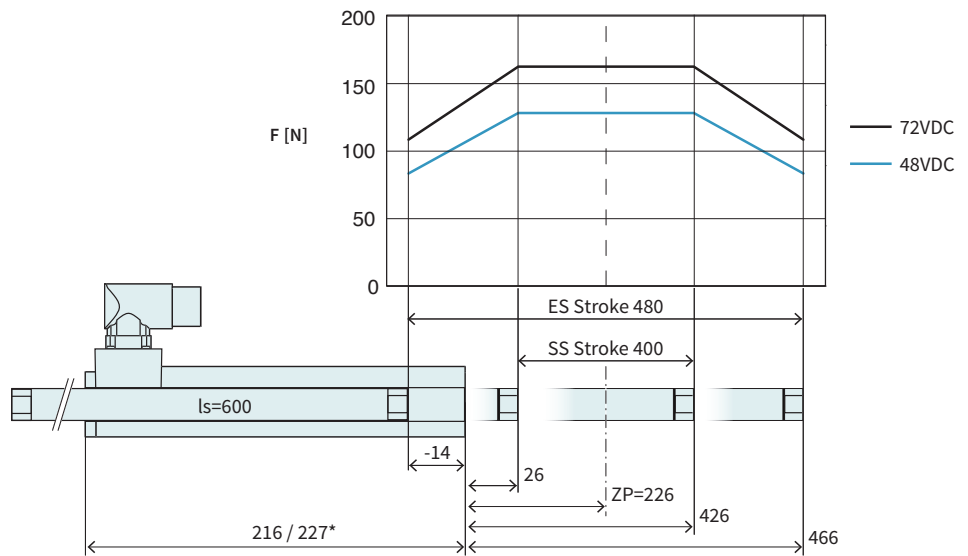


Item	Description	Item-No.
<b>PS01-37x120-C</b>	Stator with IP67 Connector M23/9(m)	0150-1223
<b>PS01-37x120</b>	Stator, 1.5m Cable, Connector P/10(m)	0150-1204
<b>PS01-37x120-C20</b>	Stator, 0.2m Cable, IP67 St. M23/9(m)	0150-1237
<b>PL01-20x500/440-LC</b>	Slider 'standard LC'	0150-2563
<b>PL02-20x500/440-LC</b>	Slider 'heavy duty LC'	0150-2575
<b>PL01-19x500/420*</b>	Slider 'high clearance'	0150-1455

\* With this slider, the motor specifications above change.

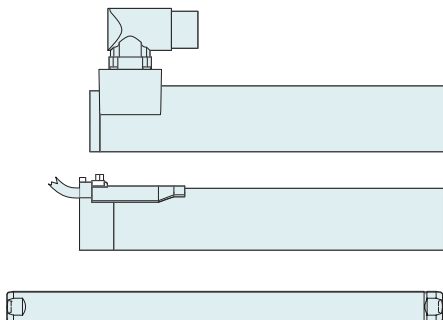
**P01-37x120/400x480-LC**

**Max. Stroke:** 480 mm  
**Peak Force:** 163 N



Dimensions in mm  
 \* Cable Type

Technical Data P01-37x120/400x480-LC			
<b>Stroke</b>			
Standard Stroke (SS)	mm (in)	400 (15.69)	
Extended Stroke (ES)	mm (in)	480 (18.89)	
<b>Force</b>			
Max. Force @ 48VDC	N (lbf)	128 (28.7)	
Max. Force @ 72VDC	N (lbf)	163 (36.7)	
Max. Cont. Force [Passive cooling / Fan / Fluid]	N (lbf)	28 / 52 / - (6.4 / 12 / -)	
Max. Border Force relative	%	67	
Force Constant	N/A <sub>pk</sub> (lbf/A <sub>pk</sub> )	20.4 (4.59)	
<b>Velocity</b>			
Max. Velocity @ 48VDC	m/s (in/s)	2.2 (84.9)	
Max. Velocity @ 72VDC	m/s (in/s)	3.2 (129.9)	
<b>Position Detection</b>			
Repeatability	mm (in)	±0.05 (±0.002)	
Linearity	%	± 0.2	
<b>Electrical Data</b>			
Max. Current @ 48VDC	A <sub>pk</sub>	6.2	
Max. Current @ 72VDC	A <sub>pk</sub>	7.9	
Max. Cont. Current [Passive cooling / Fan / Fluid]	A <sub>pk</sub>	1.4 / 2.5 / -	
<b>Thermal Data</b>			
Max. Winding Temperature (Sensor)	°C	90	
Thermal Resistance [Passive cooling / Fan / Fluid]	°K/W	3.3 / 0.98 / -	
Thermal Time Constant [Passive cooling / Fan / Fluid]	s	1300 / 390 / -	
<b>Mechanical Data</b>			
Slider Length	mm (in)	600 (24)	
Slider Mass	g (lb)	1330 (2.93)	



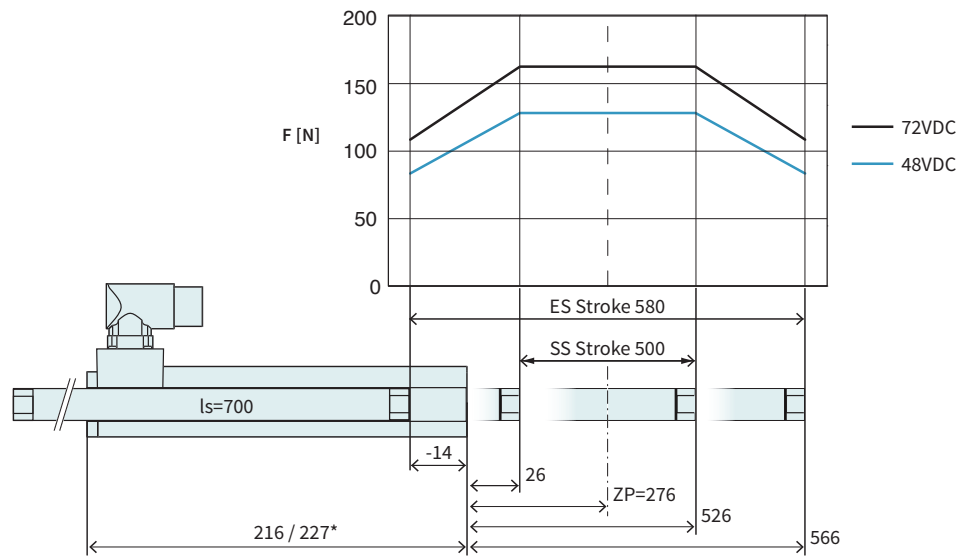
Item	Description	Item-No.
<b>PS01-37x120-C</b>	Stator with IP67 Connector M23/9(m)	0150-1223
<b>PS01-37x120</b>	Stator, 1.5m Cable, Connector P/10(m)	0150-1204
<b>PS01-37x120-C20</b>	Stator, 0.2m Cable, IP67 St. M23/9(m)	0150-1237
<b>PL01-20x600/540-LC</b>	Slider 'standard LC'	0150-2564
<b>PL02-20x600/540-LC</b>	Slider 'heavy duty LC'	0150-2576
<b>PL01-19x600/520*</b>	Slider 'high clearance'	0150-1456

\* With this slider, the motor specifications above change.



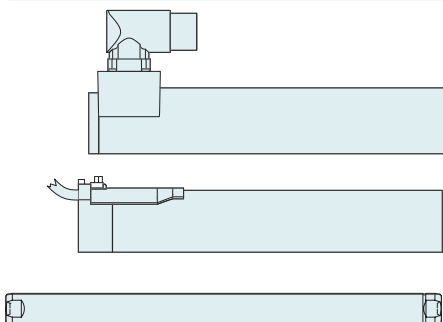
**P01-37x120/500x580-LC**

**Max. Stroke:** 580 mm  
**Peak Force:** 163 N



Dimensions in mm  
 \* Cable Type

Technical Data P01-37x120/500x580-LC			
<b>Stroke</b>			
Standard Stroke (SS)	mm (in)	500 (19.69)	
Extended Stroke (ES)	mm (in)	580 (22.8)	
<b>Force</b>			
Max. Force @ 48VDC	N (lbf)	128 (28.7)	
Max. Force @ 72VDC	N (lbf)	163 (36.7)	
Max. Cont. Force [Passive cooling / Fan / Fluid]	N (lbf)	28 / 52 / - (6.4 / 12 / -)	
Max. Border Force relative	%	67	
Force Constant	N/A <sub>pk</sub> (lbf/A <sub>pk</sub> )	20.4 (4.59)	
<b>Velocity</b>			
Max. Velocity @ 48VDC	m/s (in/s)	2.2 (84.9)	
Max. Velocity @ 72VDC	m/s (in/s)	3.2 (129.9)	
<b>Position Detection</b>			
Repeatability	mm (in)	±0.05 (±0.002)	
Linearity	%	± 0.2	
<b>Electrical Data</b>			
Max. Current @ 48VDC	A <sub>pk</sub>	6.2	
Max. Current @ 72VDC	A <sub>pk</sub>	7.9	
Max. Cont. Current [Passive cooling / Fan / Fluid]	A <sub>pk</sub>	1.4 / 2.5 / -	
<b>Thermal Data</b>			
Max. Winding Temperature (Sensor)	°C	90	
Thermal Resistance [Passive cooling / Fan / Fluid]	°K/W	3.3 / 0.98 / -	
Thermal Time Constant [Passive cooling / Fan / Fluid]	s	1300 / 390 / -	
<b>Mechanical Data</b>			
Slider Length	mm (in)	700 (28)	
Slider Mass	g (lb)	1560 (3.43)	

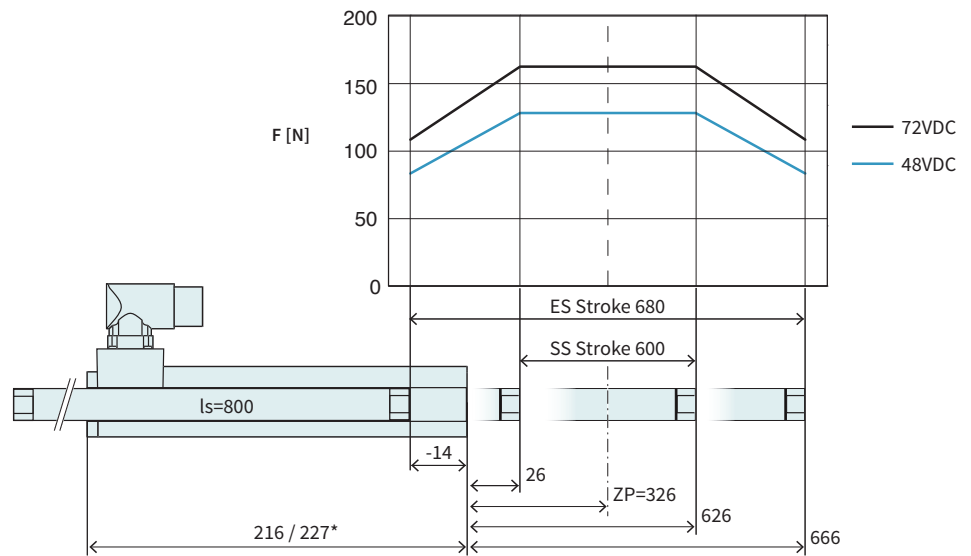


Item	Description	Item-No.
<b>PS01-37x120-C</b>	Stator with IP67 Connector M23/9(m)	0150-1223
<b>PS01-37x120</b>	Stator, 1.5m Cable, Connector P/10(m)	0150-1204
<b>PS01-37x120-C20</b>	Stator, 0.2m Cable, IP67 St. M23/9(m)	0150-1237
<b>PL01-20x700/640-LC</b>	Slider 'standard LC'	0150-2565
<b>PL02-20x700/640-LC</b>	Slider 'heavy duty LC'	0150-2577
<b>PL01-19x700/620*</b>	Slider 'high clearance'	0150-1457

\* With this slider, the motor specifications above change.

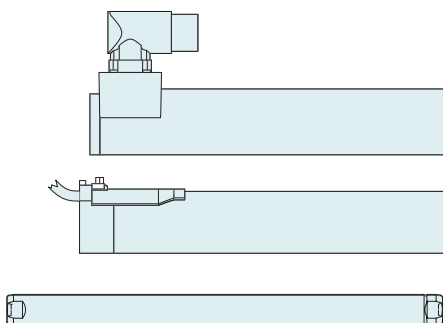
**P01-37x120/600x680-LC**

**Max. Stroke:** 680 mm  
**Peak Force:** 163 N



Dimensions in mm  
 \* Cable Type

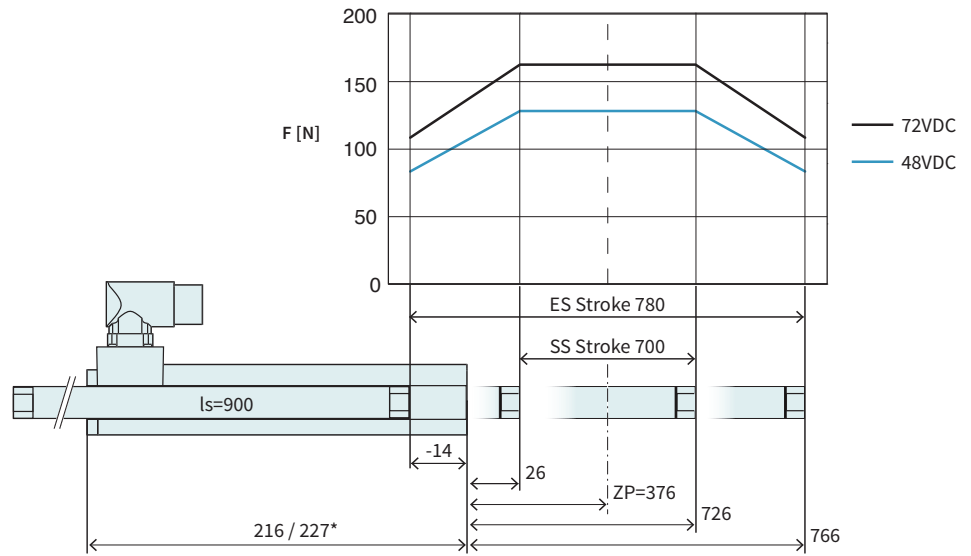
Technical Data P01-37x120/600x680-LC			
<b>Stroke</b>			
Standard Stroke (SS)	mm (in)		600 (23.6)
Extended Stroke (ES)	mm (in)		680 (26.8)
<b>Force</b>			
Max. Force @ 48VDC	N (lbf)		128 (28.7)
Max. Force @ 72VDC	N (lbf)		163 (36.7)
Max. Cont. Force [Passive cooling/ Fan / Fluid]	N (lbf)		28 / 52 / - (6.4 / 12 / -)
Max. Border Force relative	%		67
Force Constant	N/A <sub>pk</sub> (lbf/A <sub>pk</sub> )		20.4 (4.59)
<b>Velocity</b>			
Max. Velocity @ 48VDC	m/s (in/s)		2.2 (84.9)
Max. Velocity @ 72VDC	m/s (in/s)		3.2 (129.9)
<b>Position Detection</b>			
Repeatability	mm (in)		±0.05 (±0.002)
Linearity	%		± 0.15
<b>Electrical Data</b>			
Max. Current @ 48VDC	A <sub>pk</sub>		6.2
Max. Current @ 72VDC	A <sub>pk</sub>		7.9
Max. Cont. Current [Passive cooling / Fan / Fluid]	A <sub>pk</sub>		1.4 / 2.5 / -
<b>Thermal Data</b>			
Max. Winding Temperature (Sensor)	°C		90
Thermal Resistance [Passive cooling / Fan / Fluid]	°K/W		3.3 / 0.98 / -
Thermal Time Constant [Passive cooling / Fan / Fluid]	s		1300 / 390 / -
<b>Mechanical Data</b>			
Slider Length	mm (in)		800 (31)
Slider Mass	g (lb)		1790 (3.94)



Item	Description	Item-No.
<b>PS01-37x120-C</b>	Stator with IP67 Connector M23/9(m)	0150-1223
<b>PS01-37x120</b>	Stator, 1.5m Cable, Connector P/10(m)	0150-1204
<b>PS01-37x120-C20</b>	Stator, 0.2m Cable, IP67 St. M23/9(m)	0150-1237
<b>PL01-20x800/740-LC</b>	Slider 'standard LC'	0150-2566
<b>PL02-20x800/740-LC</b>	Slider 'heavy duty LC'	0150-2578

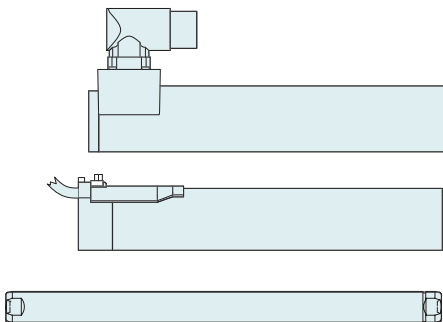
**P01-37x120/700x780-LC**

**Max. Stroke:** 780 mm  
**Peak Force:** 163 N



Dimensions in mm  
 \* Cable Type

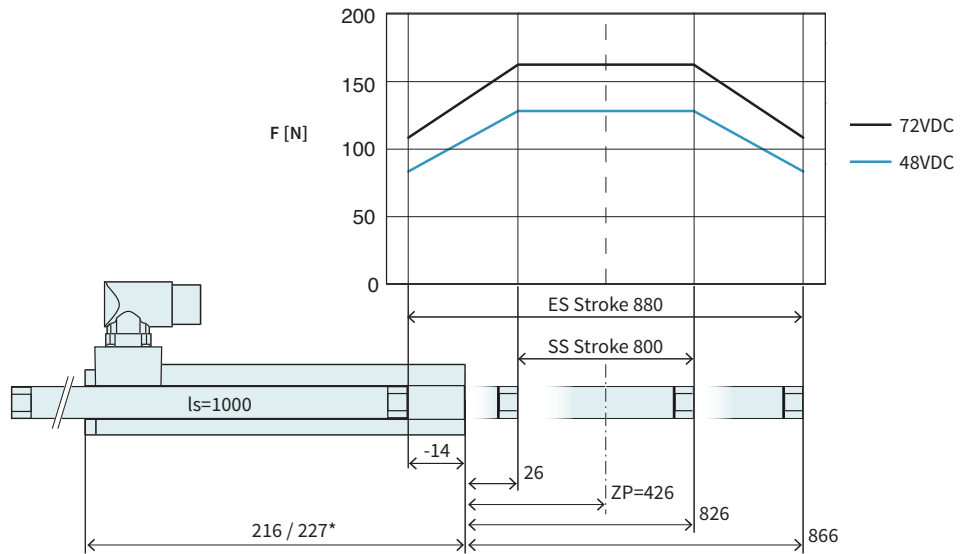
Technical Data P01-37x120/700x780-LC			
<b>Stroke</b>			
Standard Stroke (SS)	mm (in)	700 (27.6)	
Extended Stroke (ES)	mm (in)	780 (30.69)	
<b>Force</b>			
Max. Force @ 48VDC	N (lbf)	128 (28.7)	
Max. Force @ 72VDC	N (lbf)	163 (36.7)	
Max. Cont. Force [Passive cooling / Fan / Fluid]	N (lbf)	28 / 52 / - (6.4 / 12 / -)	
Max. Border Force relative	%	67	
Force Constant	N/A <sub>pk</sub> (lbf/A <sub>pk</sub> )	20.4 (4.59)	
<b>Velocity</b>			
Max. Velocity @ 48VDC	m/s (in/s)	2.2 (84.9)	
Max. Velocity @ 72VDC	m/s (in/s)	3.2 (129.9)	
<b>Position Detection</b>			
Repeatability	mm (in)	±0.05 (±0.002)	
Linearity	%	± 0.15	
<b>Electrical Data</b>			
Max. Current @ 48VDC	A <sub>pk</sub>	6.2	
Max. Current @ 72VDC	A <sub>pk</sub>	7.9	
Max. Cont. Current [Passive cooling / Fan / Fluid]	A <sub>pk</sub>	1.4 / 2.5 / -	
<b>Thermal Data</b>			
Max. Winding Temperature (Sensor)	°C	90	
Thermal Resistance [Passive cooling / Fan / Fluid]	°K/W	3.3 / 0.98 / -	
Thermal Time Constant [Passive cooling / Fan / Fluid]	s	1300 / 390 / -	
<b>Mechanical Data</b>			
Slider Length	mm (in)	900 (35)	
Slider Mass	g (lb)	2020 (4.44)	



Item	Description	Item-No.
<b>PS01-37x120-C</b>	Stator with IP67 Connector M23/9(m)	0150-1223
<b>PS01-37x120</b>	Stator, 1.5m Cable, Connector P/10(m)	0150-1204
<b>PS01-37x120-C20</b>	Stator, 0.2m Cable, IP67 St. M23/9(m)	0150-1237
<b>PL01-20x900/840-LC</b>	Slider 'standard LC'	0150-2567
<b>PL02-20x900/840-LC</b>	Slider 'heavy duty LC'	0150-2579

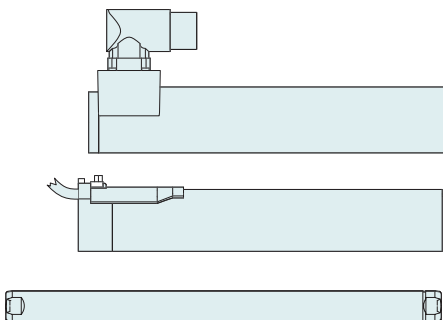
**P01-37x120/800x880-LC**

**Max. Stroke:** 880 mm  
**Peak Force:** 163 N



Dimensions in mm  
 \* Cable Type

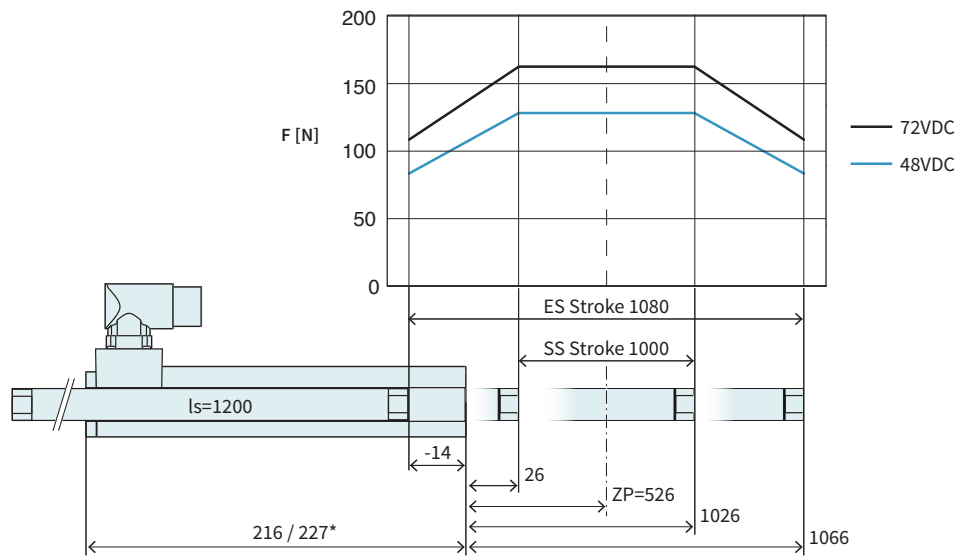
Technical Data P01-37x120/800x880-LC			
<b>Stroke</b>			
Standard Stroke (SS)	mm (in)	800	(31.49)
Extended Stroke (ES)	mm (in)	880	(34.6)
<b>Force</b>			
Max. Force @ 48VDC	N (lbf)	128	(28.7)
Max. Force @ 72VDC	N (lbf)	163	(36.7)
Max. Cont. Force [Passive cooling / Fan / Fluid]	N (lbf)	28 / 52 / -	(6.4 / 12 / -)
Max. Border Force relative	%	67	
Force Constant	N/A <sub>pk</sub> (lbf/A <sub>pk</sub> )	20.4	(4.59)
<b>Velocity</b>			
Max. Velocity @ 48VDC	m/s (in/s)	2.2	(84.9)
Max. Velocity @ 72VDC	m/s (in/s)	3.2	(129.9)
<b>Position Detection</b>			
Repeatability	mm (in)	±0.05	(±0.002)
Linearity	%	± 0.15	
<b>Electrical Data</b>			
Max. Current @ 48VDC	A <sub>pk</sub>	6.2	
Max. Current @ 72VDC	A <sub>pk</sub>	7.9	
Max. Cont. Current [Passive cooling / Fan / Fluid]	A <sub>pk</sub>	1.4 / 2.5 / -	
<b>Thermal Data</b>			
Max. Winding Temperature (Sensor)	°C	90	
Thermal Resistance [Passive cooling / Fan / Fluid]	°K/W	3.3 / 0.98 / -	
Thermal Time Constant [Passive cooling / Fan / Fluid]	s	1300 / 390 / -	
<b>Mechanical Data</b>			
Slider Length	mm (in)	1000	(39)
Slider Mass	g (lb)	2230	(4.91)



Item	Description	Item-No.
<b>PS01-37x120-C</b>	Stator with IP67 Connector M23/9(m)	0150-1223
<b>PS01-37x120</b>	Stator, 1.5m Cable, Connector P/10(m)	0150-1204
<b>PS01-37x120-C20</b>	Stator, 0.2m Cable, IP67 St. M23/9(m)	0150-1237
<b>PL01-20x1000/940-LC</b>	Slider 'standard LC'	0150-2568

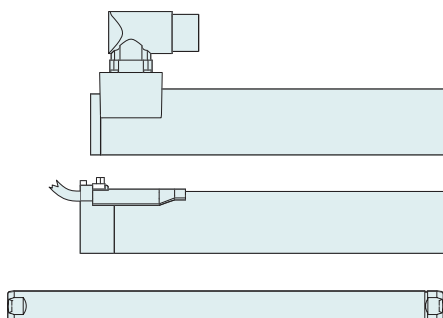
**P01-37x120/1000x1080-LC**

**Max. Stroke:** 1080 mm  
**Peak Force:** 163 N



Dimensions in mm  
 \* Cable Type

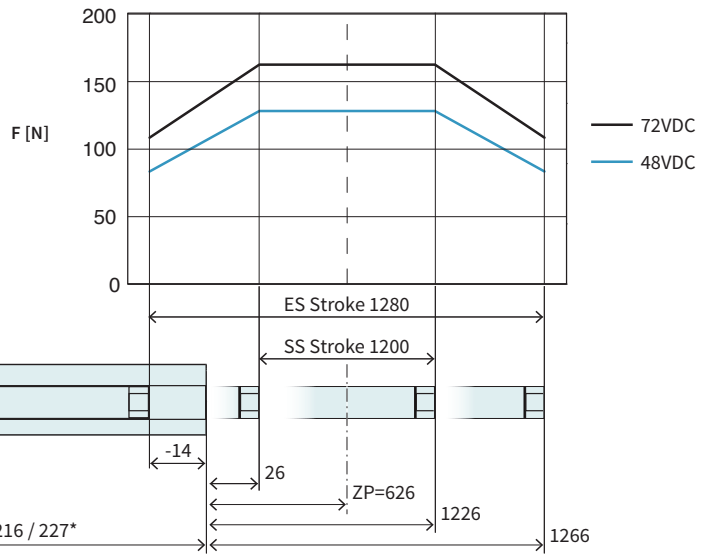
Technical Data P01-37x120/1000x1080-LC			
<b>Stroke</b>			
Standard Stroke (SS)	mm (in)	1000	(39.39)
Extended Stroke (ES)	mm (in)	1080	(42.49)
<b>Force</b>			
Max. Force @ 48VDC	N (lbf)	128	(28.7)
Max. Force @ 72VDC	N (lbf)	163	(36.7)
Max. Cont. Force [Passive cooling / Fan / Fluid]	N (lbf)	28 / 52 / -	(6.4 / 12 / -)
Max. Border Force relative	%	67	
Force Constant	N/A <sub>pk</sub> (lbf/A <sub>pk</sub> )	20.4	(4.59)
<b>Velocity</b>			
Max. Velocity @ 48VDC	m/s (in/s)	2.2	(84.9)
Max. Velocity @ 72VDC	m/s (in/s)	3.2	(129.9)
<b>Position Detection</b>			
Repeatability	mm (in)	±0.05	(±0.002)
Linearity	%	± 0.15	
<b>Electrical Data</b>			
Max. Current @ 48VDC	A <sub>pk</sub>	6.2	
Max. Current @ 72VDC	A <sub>pk</sub>	7.9	
Max. Cont. Current [Passive cooling / Fan / Fluid]	A <sub>pk</sub>	1.4 / 2.5 / -	
<b>Thermal Data</b>			
Max. Winding Temperature (Sensor)	°C	90	
Thermal Resistance [Passive cooling / Fan / Fluid]	°K/W	3.3 / 0.98 / -	
Thermal Time Constant [Passive cooling / Fan / Fluid]	s	1300 / 390 / -	
<b>Mechanical Data</b>			
Slider Length	mm (in)	1200	(47)
Slider Mass	g (lb)	2690	(5.92)



Item	Description	Item-No.
<b>PS01-37x120-C</b>	Stator with IP67 Connector M23/9(m)	0150-1223
<b>PS01-37x120</b>	Stator, 1.5m Cable, Connector P/10(m)	0150-1204
<b>PS01-37x120-C20</b>	Stator, 0.2m Cable, IP67 St. M23/9(m)	0150-1237
<b>PL01-20x1200/1140-LC</b>	Slider 'standard LC'	0150-2569

**P01-37x120/1200x1280-LC**

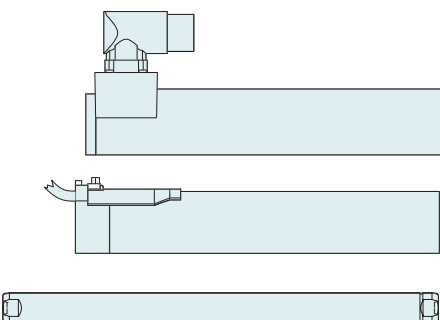
**Max. Stroke:** 1280 mm  
**Peak Force:** 163 N



Dimensions in mm  
 \* Cable Type

Technical Data P01-37x120/1200x1280-LC

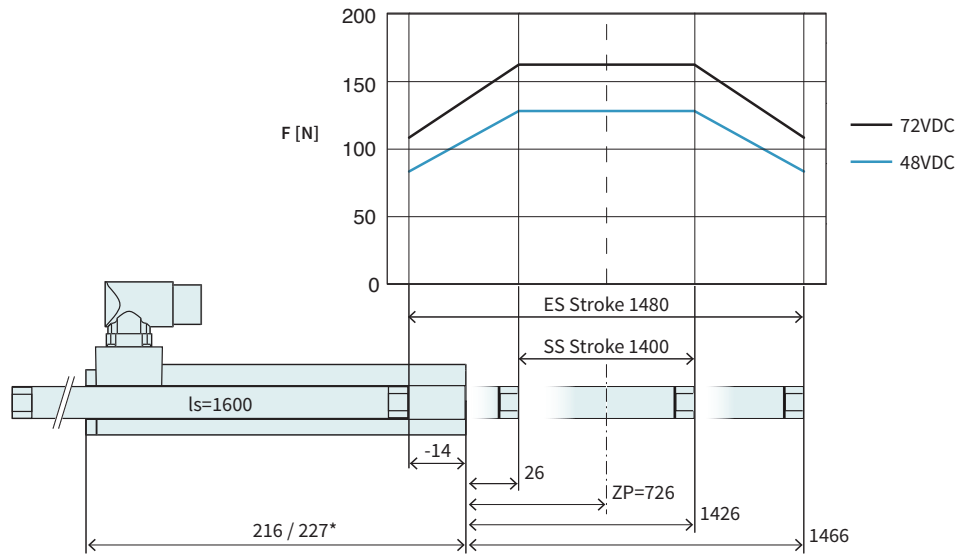
Technical Data P01-37x120/1200x1280-LC			
<b>Stroke</b>			
Standard Stroke (SS)	mm (in)		1200 (47.2)
Extended Stroke (ES)	mm (in)		1280 (50.39)
<b>Force</b>			
Max. Force @ 48VDC	N (lbf)		128 (28.7)
Max. Force @ 72VDC	N (lbf)		163 (36.7)
Max. Cont. Force [Passive cooling / Fan / Fluid]	N (lbf)		28 / 52 / - (6.4 / 12 / -)
Max. Border Force relative	%		67
Force Constant	N/A <sub>pk</sub> (lbf/A <sub>pk</sub> )		20.4 (4.59)
<b>Velocity</b>			
Max. Velocity @ 48VDC	m/s (in/s)		2.2 (84.9)
Max. Velocity @ 72VDC	m/s (in/s)		3.2 (129.9)
<b>Position Detection</b>			
Repeatability	mm (in)		±0.05 (±0.002)
Linearity	%		± 0.15
<b>Electrical Data</b>			
Max. Current @ 48VDC	A <sub>pk</sub>		6.2
Max. Current @ 72VDC	A <sub>pk</sub>		7.9
Max. Cont. Current [Passive cooling / Fan / Fluid]	A <sub>pk</sub>		1.4 / 2.5 / -
<b>Thermal Data</b>			
Max. Winding Temperature (Sensor)	°C		90
Thermal Resistance [Passive cooling / Fan / Fluid]	°K/W		3.3 / 0.98 / -
Thermal Time Constant [Passive cooling / Fan / Fluid]	s		1300 / 390 / -
<b>Mechanical Data</b>			
Slider Length	mm (in)		1400 (55)
Slider Mass	g (lb)		3160 (6.95)



Item	Description	Item-No.
<b>PS01-37x120-C</b>	Stator with IP67 Connector M23/9(m)	0150-1223
<b>PS01-37x120</b>	Stator, 1.5m Cable, Connector P/10(m)	0150-1204
<b>PS01-37x120-C20</b>	Stator, 0.2m Cable, IP67 St. M23/9(m)	0150-1237
<b>PL01-20x1400/1340-LC</b>	Slider 'standard LC'	0150-2570

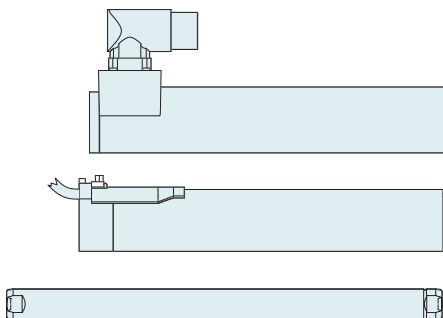
**P01-37x120/1400x1480-LC**

**Max. Stroke:** 1480 mm  
**Peak Force:** 163 N



Dimensions in mm  
 \* Cable Type

Technical Data P01-37x120/1400x1480-LC				
<b>Stroke</b>				
Standard Stroke (SS)	mm	(in)	1400	(55.1)
Extended Stroke (ES)	mm	(in)	1480	(58.29)
<b>Force</b>				
Max. Force @ 48VDC	N	(lbf)	128	(28.7)
Max. Force @ 72VDC	N	(lbf)	163	(36.7)
Max. Cont. Force [Passive cooling / Fan / Fluid]	N	(lbf)	28 / 52 / -	(6.4 / 12 / -)
Max. Border Force relative			67	
Force Constant	N/A <sub>pk</sub>	(lbf/A <sub>pk</sub> )	20.4	(4.59)
<b>Velocity</b>				
Max. Velocity @ 48VDC	m/s	(in/s)	2.2	(84.9)
Max. Velocity @ 72VDC	m/s	(in/s)	3.2	(129.9)
<b>Position Detection</b>				
Repeatability	mm	(in)	±0.05	(±0.002)
Linearity			± 0.15	
<b>Electrical Data</b>				
Max. Current @ 48VDC	A <sub>pk</sub>		6.2	
Max. Current @ 72VDC	A <sub>pk</sub>		7.9	
Max. Cont. Current [Passive cooling / Fan / Fluid]	A <sub>pk</sub>		1.4 / 2.5 / -	
<b>Thermal Data</b>				
Max. Winding Temperature (Sensor)	°C		90	
Thermal Resistance [Passive cooling / Fan / Fluid]	°K/W		3.3 / 0.98 / -	
Thermal Time Constant [Passive cooling / Fan / Fluid]	s		1300 / 390 / -	
<b>Mechanical Data</b>				
Slider Length	mm	(in)	1600	(63)
Slider Mass	g	(lb)	3620	(8.0)



Item	Description	Item-No.
<b>PS01-37x120-C</b>	Stator with IP67 Connector M23/9(m)	0150-1223
<b>PS01-37x120</b>	Stator, 1.5m Cable, Connector P/10(m)	0150-1204
<b>PS01-37x120-C20</b>	Stator, 0.2m Cable, IP67 St. M23/9(m)	0150-1237
<b>PL01-20x1600/1540-LC</b>	Slider 'standard LC'	0150-2571

**Linear Guides H01**



**HM01-37x120/80 | Linear Module 37x120 with 80 mm Stroke**

→	H-Guide	H01-37x166/80	H-Guide for P01-37x120, Stroke max 80mm	0150-5020
		H01-37x166/80-GF	H-Guide for P01-37x120, Stroke max 80mm	0150-5080
→	Stator	PS01-37x120-C	Stator with IP67 Connector M23/9(m)	0150-1223
		PS01-37x120-C20	Stator, 0.2m Cable, IP67 St. M23/9(m)	0150-1237
		PS01-37x120	Stator, 1.5m Cable, Connector P/10(m)	0150-1204
→	Slider	PL01-20x300/240-LC	Slider 'standard LC'	0150-2561

**HM01-37x120/180 | Linear Module 37x120 with 180 mm Stroke**

→	H-Guide	H01-37x166/180	H-Guide for P01-37x120, Stroke max. 180 mm	0150-5021
		H01-37x166/180-GF	H-Guide for P01-37x120, Stroke max. 180 mm	0150-5081
→	Stator	PS01-37x120-C	Stator with IP67 Connector M23/9(m)	0150-1223
		PS01-37x120-C20	Stator, 0.2m Cable, IP67 St. M23/9(m)	0150-1237
		PS01-37x120	Stator, 1.5m Cable, Connector P/10(m)	0150-1204
→	Slider	PL01-20x400/340-LC	Slider 'standard LC'	0150-2562

**HM01-37x120/280 | Linear Module 37x120 with 280 mm Stroke**

→	H-Guide	H01-37x166/280	H-Guide for P01-37x120, Stroke max. 280 mm	0150-5022
		H01-37x166/280-GF	H-Guide for P01-37x120, Stroke max. 280 mm	0150-5082
→	Stator	PS01-37x120-C	Stator with IP67 Connector M23/9(m)	0150-1223
		PS01-37x120-C20	Stator, 0.2m Cable, IP67 St. M23/9(m)	0150-1237
		PS01-37x120	Stator, 1.5m Cable, Connector P/10(m)	0150-1204
→	Slider	PL01-20x500/440-LC	Slider 'standard LC'	0150-2563

**Accessories**

→	Brake	HB01-37	Pneumatic brake for H01-37 guides	0150-5052
→	Fan	HV01-37/48	Fan cooling for H01-37/48 & PF02-37/48	0150-5051
→	MagSpring	MF01-37/H37	Flange MagSpring 37 / H-Guide 23/37/48	0250-2307
		MA01-37/H37	Adapter MagSpring 37&20 / H-Guide 37	0250-0117
→	Centering sleeve	HC01-09/04	Centering sleeve D9x4 mm	0150-3251
→	Wipers	HA01-27/20-F	Wiper for H01-37 guides, front side	0150-5108

FIND MORE PRODUCT DETAILS IN THE CHAPTER "LINEAR GUIDES".



**Bridge Guide B01**



**BM01-37x120/160 Bridge Module 37x120 with 160 mm Stroke <sup>1)</sup>**

→	B-Guide	B01-37x166/160	B-Guide for P01-37x120, Stroke max 160 mm	0150-5138
		B01-37x166/160-GF	B-Guide for P01-37x120, Stroke max 160 mm	0150-5141
→	Stator	PS01-37x120-C	Stator with IP67 connector M23/9(m)	0150-1223
		PS01-37x120-C20	Linearmotor Stator, 0.2m Cable, Connector C - IP67	0150-1237
		PS01-37x120	Linearmotor Stator, 1.5m Cable, Connector P	0150-1204
→	Slider	PL01-19x395/320	High Clearance Slider for B01-37x166/160	0150-1452

**BM01-37x120/260 Bridge Module 37x120 with 260 mm Stroke <sup>1)</sup>**

→	B-Guide	B01-37x166/260	B-Guide for P01-37x120, Stroke max 260 mm	0150-5139
		B01-37x166/260-GF	B-Guide for P01-37x120, Stroke max 260 mm	0150-5142
→	Stator	PS01-37x120-C	Stator with IP67 connector M23/9(m)	0150-1223
		PS01-37x120-C20	Linearmotor Stator, 0.2m Cable, Connector C - IP67	0150-1237
		PS01-37x120	Linearmotor Stator, 1.5m Cable, Connector P	0150-1204
→	Slider	PL01-19x500/420	High Clearance Slider for B01-37x166/260	0150-1455

**BM01-37x120/360 Bridge Module 37x120 with 360 mm Stroke <sup>1)</sup>**

→	B-Guide	B01-37x166/360	B-Guide for P01-37x120, Stroke max 360 mm	0150-5140
		B01-37x166/360-GF	B-Guide for P01-37x120, Stroke max 360 mm	0150-5143
→	Stator	PS01-37x120-C	Stator with IP67 connector M23/9(m)	0150-1223
		PS01-37x120-C20	Linearmotor Stator, 0.2m Cable, Connector C - IP67	0150-1237
		PS01-37x120	Linearmotor Stator, 1.5m Cable, Connector P	0150-1204
→	Slider	PL01-19x600/520	High Clearance Slider for B01-37x166/260	0150-1456

**Accessories**

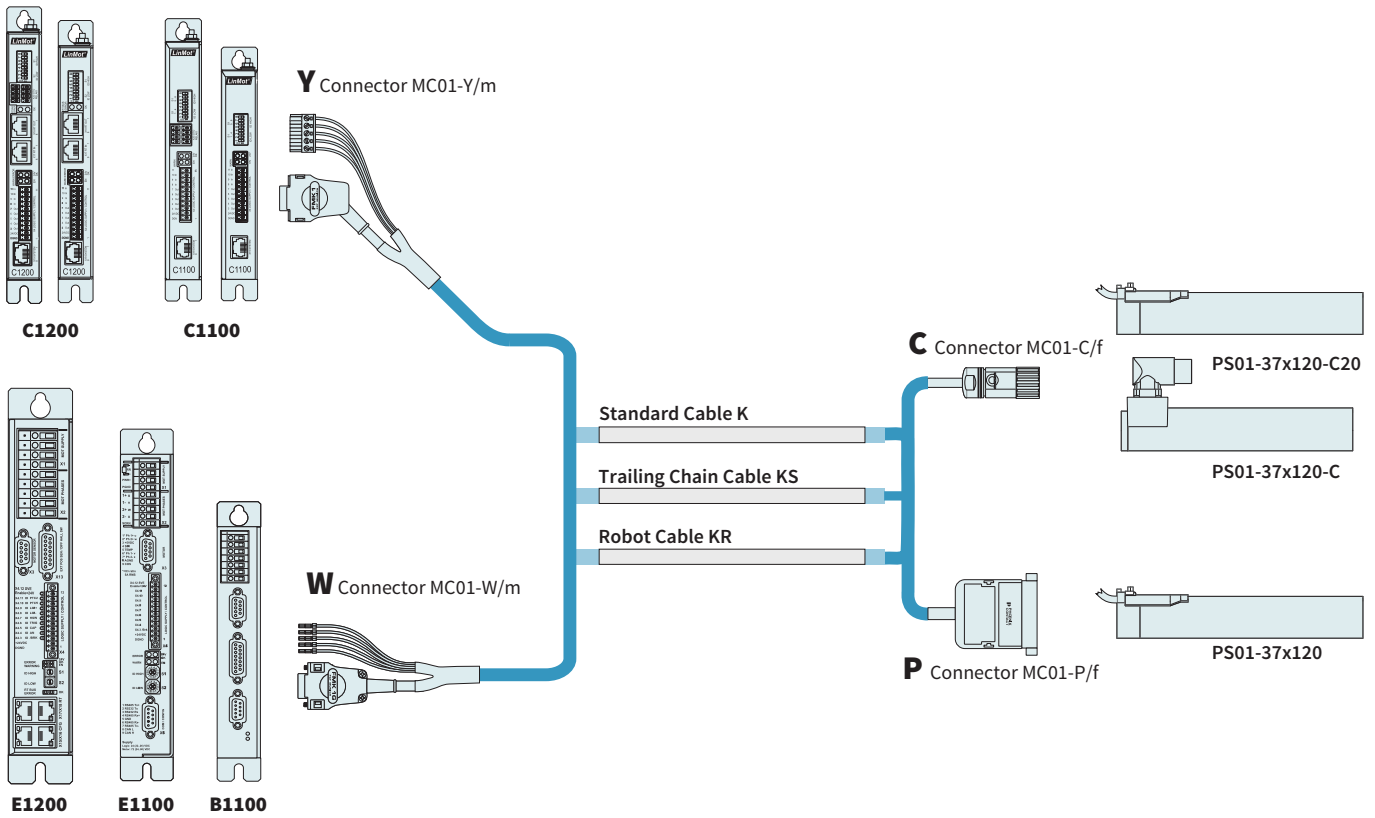
→	Brake	HB01-37	Pneumatic Brake for H01-37/600N (4-6Bar)	0150-5052
→	Fan	HV01-37/48	Fan cooling for H01-37/48 & PF02-37/48	0150-5051
→	MagSpring	MF01-37/H37	Flange MagSpring 37 / H-Guide 23/37/48	0250-2307
		MA01-37/H37	Adapter MagSpring 37&20 / H-Guide 37	0250-0117
→	Centering sleeve	HC01-09/04	Centering sleeve D9x4 mm	0150-3251
→	Wipers	HA01-37/19-F	Wiper for H01-37 guides, front side	0150-5177

<sup>1)</sup> The stroke is reduced by 18 mm when using cable models.

FIND MORE PRODUCT DETAILS IN THE CHAPTER "LINEAR GUIDES".

**Motor Cable**

3



**ORDERING INFORMATION**

STANDARD CABLE

Item	Description	Item-No.
<b>K05-W/C-2</b>	Motor Cable W/C, 2 m	0150-2123
<b>K05-W/C-4</b>	Motor Cable W/C, 4 m	0150-2124
<b>K05-W/C-6</b>	Motor Cable W/C, 6 m	0150-2125
<b>K05-W/C-8</b>	Motor Cable W/C, 8 m	0150-2126
<b>K05-W/C-</b>	Motor Cable W/C, Custom length	0150-3263
<b>K05-W/P</b>	Motor Cable W/P, Custom length	0150-3113
<b>K05-Y/C-2</b>	Motor Cable Y/R, 2 m	0150-2425
<b>K05-Y/C-4</b>	Motor Cable Y/R, 4 m	0150-2426
<b>K05-Y/C-6</b>	Motor Cable Y/R, 6 m	0150-2427
<b>K05-Y/C-8</b>	Motor Cable Y/R, 8 m	0150-2428
<b>K05-Y-Fe/C-</b>	Motor Cable Y-Fe/R, Custom length	0150-3502

## TRAILING CHAIN CABLE

Item	Description	Item-No.
<b>KS05-W/C-4</b>	Trailing Chain Cable W/C, 4 m	0150-2127
<b>KS05-W/C-6</b>	Trailing Chain Cable W/C, 6 m	0150-2128
<b>KS05-W/C-8</b>	Trailing Chain Cable W/C, 8 m	0150-2129
<b>KS05-W/C-</b>	Trailing Chain Cable W/C, Custom length	0150-3204
<b>KS05-W/P-</b>	Trailing Chain Cable W/P, Custom length	0150-3114
<b>KS05-Y/C-4</b>	Trailing Chain Cable Y/C, 4 m	0150-2436
<b>KS05-Y/C-6</b>	Trailing Chain Cable Y/C, 6 m	0150-2437
<b>KS05-Y/C-8</b>	Trailing Chain Cable Y/C, 8 m	0150-2438
<b>KS05-Y-Fe/C-</b>	Trailing Chain Cable Y-Fe/C, Custom length	0150-3508

## ROBOT CABLE

Item	Description	Item-No.
<b>KR05-W/C-</b>	Robot Cable KR05-W/C, Custom length	0150-3644
<b>KR05-Y-Fe/C-</b>	Robot Cable KR05-Y-Fe/C, Custom length	0150-3513

## CONNECTOR &amp; CABLE (INDIVIDUAL)

Item	Description	Item-No.
<b>MC01-W/m</b>	Motor Connector W/m	0150-3140
<b>MC01-Y-Fe/m</b>	Motor Connector Y-Fe/m	0150-3289
<b>MC01-C/f</b>	Motor Connector C/f	0150-3080
<b>MC01-P/f</b>	Motor Connector P/f	0150-3021
<b>K05-04/05</b>	Motor Cable per m	0150-1920
<b>KS05-04/05</b>	Trailing Chain Cable per m	0150-1938
<b>KR05-04/05</b>	Robot Cable per m	0150-1846

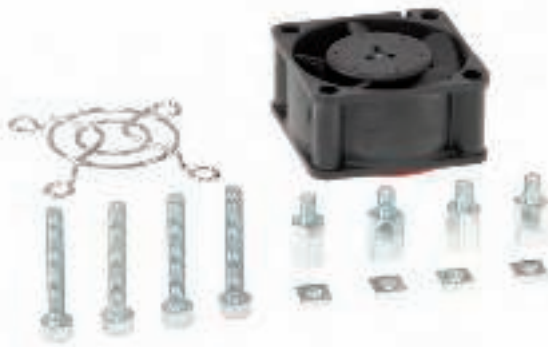
**MOTOR FLANGES**



Item	Description	Item-No.
<b>PF02-37x100</b>	Flange 37x100 mm	0150-1998
<b>PF02-37x140</b>	Flange 37x140 mm	0150-2105

FIND MORE PRODUCT DETAILS IN THE CHAPTER "ACCESSORIES".

**FANS**



Item	Description	Item-No.
<b>HV01-37/48</b>	Fan cooling for H01-37/48 & PF02-37/48	0150-5051

FIND MORE PRODUCT DETAILS IN THE CHAPTER "ACCESSORIES".

**SLIDER MOUNTING**



Item	Description	Item-No.
<b>PLF01-20</b>	Fixed Bearing Set for 19mm and 20mm Slider	0150-3083
<b>PLF01-20-SS</b>	Fixed Bearing Set for 19mm and 20mm Slider, Stainless steel	0150-3296
<b>PLL01-19</b>	Floating Bearing for PL01-19 Slider	0150-3335
<b>PLL01-20</b>	Floating Bearing for PL01-20 Slider	0150-3084
<b>PLM01-20-MK</b>	Mounting Kit for PL01-20 Slider	0150-3079

FIND MORE PRODUCT DETAILS IN THE CHAPTER "ACCESSORIES".

**WIPERS**



Item	Description	Item-No.
<b>PA01-37/19-F</b>	Wiper front side for PS01-37x...	0150-3225
<b>PA01-37/19-R</b>	Wiper back side for PS01-37x...-C	0150-3226
<b>PA01-37/19-R cable</b>	Wiper back side for PS01-37-Cable Type	0150-3227
<b>PA01-37/20-F</b>	Wiper front side for PS01-37x...	0150-3126
<b>PA01-37/20-R</b>	Wiper front side for PS01-37x...	0150-3201
<b>PA01-37/20-R cable</b>	Wiper back side for PS01-37-Cable Type	0150-3221

FIND MORE PRODUCT DETAILS IN THE CHAPTER "ACCESSORIES".

**EXTERNAL POSITION SENSORS**



Item	Description	Item-No.
<b>MS01-1/D</b>	Linear Encoder 1µm, A/B (for incremental strip)	0150-1840
<b>MB01-1000</b>	Magnetic incremental strip for MS01-1/D, per cm	0150-1963
<b>KS025-D/D-Encoder</b>	Encoder Cable (Length in m)	0150-3166
<b>KS025-D/D15-Encoder</b>	Encoder Cable (Length in m)	0150-3168

FIND MORE PRODUCT DETAILS IN THE CHAPTER "ACCESSORIES".



Item	Description	Item-No.
<b>MS01-1/D-SSI</b>	Linear Encoder 1µm, A/B (for absolute strip)	0150-2095
<b>MB01-1000-ABS</b>	Magnetic absolute strip for MS01-1/D-SSI (per cm)	0150-2096
<b>EC01-ABS/ENC-12-S</b>	MS01-1/D-SSI Encoder connector straight	0150-3616
<b>KSS01-12-D15/ABS-ENC</b>	Special cable for MS01-1/D-SSI on C1100/C1200/C1400/E1200/E1400 Drives	0150-3652

FIND MORE PRODUCT DETAILS IN THE CHAPTER "ACCESSORIES".

Area with horizontal dotted lines for notes.

# LINEAR MOTORS P01-37x120F-HP



- ✓ Higher maximum peak force and acceleration
- ✓ Increased continuous force and acceleration
- ✓ Higher permissible operating temperatures with less self-heating
- ✓ Wide range of applications in handling modules as well as in plant and machine construction

**LINEAR MOTORS P01-37x120F-HP****Technical Data** ..... **223****Motor Specifications**P01-37x120F/40x120-HP ..... **227**P01-37x120F/100x180-HP ..... **228**P01-37x120F/160x240-HP ..... **229**P01-37x120F/200x280-HP ..... **230**P01-37x120F/300x380-HP ..... **231**P01-37x120F/400x480-HP ..... **232**P01-37x120F/500x580-HP ..... **233**P01-37x120F/600x680-HP ..... **234**P01-37x120F/700x780-HP ..... **235**P01-37x120F/800x880-HP ..... **236**P01-37x120F/1000x1080-HP ..... **237**P01-37x120F/1200x1280-HP ..... **238**P01-37x120F/1400x1480-HP ..... **239****Linear Guides** ..... **240****Accessories** ..... **242**

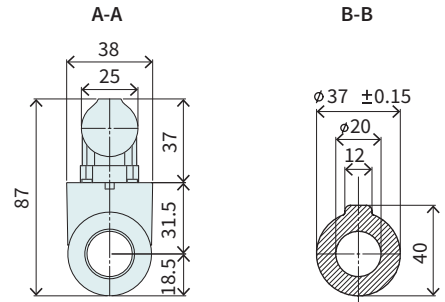
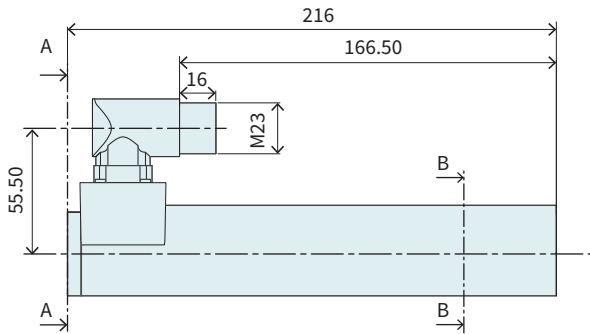




### MOTOR FAMILY P01-37x120F-HP

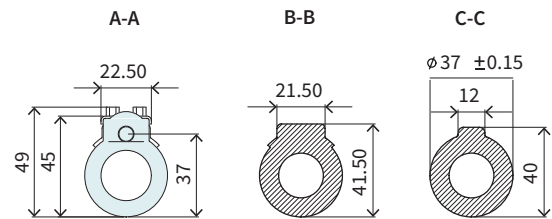
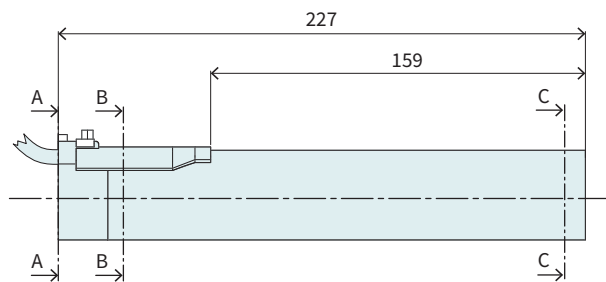
Technical Data				
<b>Stroke</b>				
Standard Stroke (SS)	mm	(in)	≤ 1400	(≤ 55.1)
Extended Stroke (ES)	mm	(in)	≤ 1480	(≤ 58.3)
<b>Force</b>				
Max. Force @ 48VDC	N	(lbf)	255	(57.3)
Max. Force @ 72VDC	N	(lbf)	255	(57.3)
Max. Cont. Force [Passive cooling / Fan / Fluid]	N	(lbf)	48 / 87 / -	(11 / 20 / -)
Max. Border Force relative	%		≤ 67	
Force Constant	N/A <sub>pk</sub>	(lbf/A <sub>pk</sub> )	17	(3.82)
<b>Velocity</b>				
Max. Velocity @ 48VDC	m/s	(in/s)	2.5	(99.9)
Max. Velocity @ 72VDC	m/s	(in/s)	3.8	(149.9)
<b>Position Detection</b>				
Position Resolution	mm	(in)	0.005	(0.0002)
Repeatability	mm	(in)	±0.05	(±0.002)
Position Resolution with ES	mm	(in)	0.001	(0.00004)
Repeatability with ES	mm	(in)	±0.01	(±0.0004)
Linearity with ES	mm	(in)	±0.01	(±0.0004)
<b>Electrical Data</b>				
Max. Current @ 48VDC	A <sub>pk</sub>		14.9	
Max. Current @ 72VDC	A <sub>pk</sub>		14.9	
Max. Cont. Current [Passive cooling / Fan / Fluid]	A <sub>pk</sub>		2.8 / 5.1 / -	
Terminal Resistance 25 °C / 120 °C	Ohm		2.4 / 3.5	
Terminal Inductivity	mH		1.6	
Magnetic Period	mm	(in)	40	(1.57)
<b>Thermal Data</b>				
Max. Winding Temperature (Sensor)	°C		120	
Thermal Resistance [Passive cooling / Fan / Fluid]	°K/W		2.9 / 0.88 / -	
Thermal Time Constant [Passive cooling / Fan / Fluid]	s		1200 / 350 / -	
<b>Mechanical Data</b>				
Stator Diameter	mm	(in)	37	(1.5)
Stator Length [Connector type / Cable type]	mm	(in)	216 / 227	(8.5 / 8.9)
Stator Mass	g	(lb)	740	(1.63)
Slider Diameter	mm	(in)	20	(0.79)
Slider Length	mm	(in)	240 - 1600	(9.4 - 63)
Slider Mass	g	(lb)	490 - 3620	(1.08 - 7.96)
IP Code			IP 65	

**STATOR CONNECTOR TYPE**



Item	Description	Item-No.
PS01-37x120F-HP-C	Stator HP with IP67 Connector M23/9(m)	0150-1251

**STATOR CABLE TYPE**

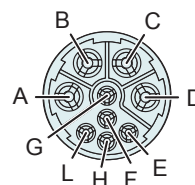


Item	Description	Item-No.
PS01-37x120F-HP-C20	Stator HP, 0,2 m Cable, IP67 St. M23/9(m)	0150-1252

**CONNECTOR**

Motor Connector Wiring	PS01-37x120F-HP-C PS01-37x120F-HP-C20	Wire color motor cable
	C-Connector	
Ph 1+	A	red
Ph 1-	B	pink
Ph 2+	C	blue
Ph 2-	D	grey
+5VDC	E	white
GND	F	inner shield
Sin	G	yellow
Cos	H	green
Temp.	L	black
Shield	Housing	outer Shield

**C-Connector**

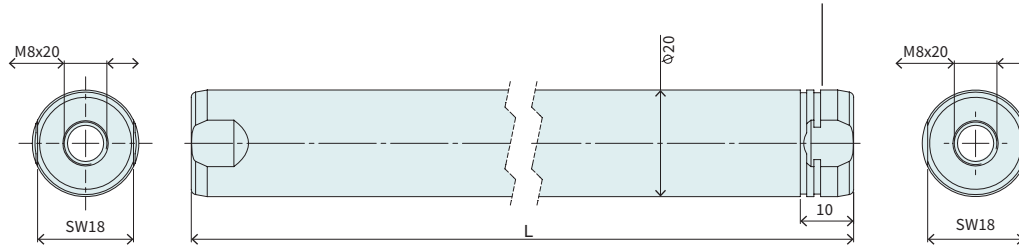


View: Motor Connector, plug side

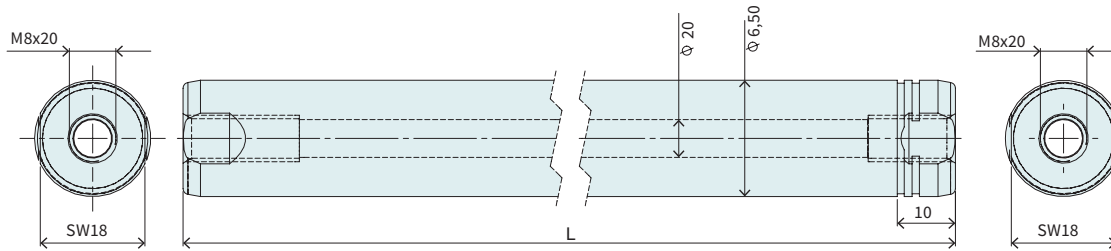
**SLIDER**

**Slider HP/ Heavy Duty HP**

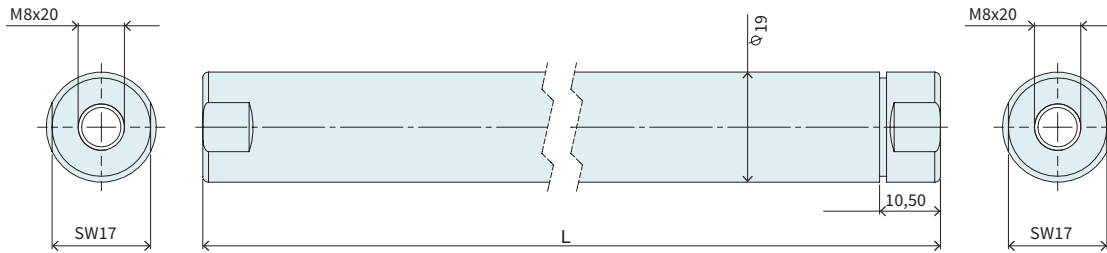
Number of grooves determines the slider type (see chapter 2 / slider) and marks the front end.



**Hollow slider**



**High-Clearance Slider**



Slider HP				
Item	Description	Max. Stroke [mm]	Standard Stroke [mm]	Item-No.
PL01-20x240/180-HP	Slider 'High Performance'	120	40	0150-1505
PL01-20x300/240-HP	Slider 'High Performance'	180	100	0150-1506
PL01-20x360/300-HP	Slider 'High Performance'	240	160	0150-1507
PL01-20x400/340-HP	Slider 'High Performance'	280	200	0150-1508
PL01-20x500/440-HP	Slider 'High Performance'	380	300	0150-1509
PL01-20x600/540-HP	Slider 'High Performance'	480	400	0150-1510
PL01-20x700/640-HP	Slider 'High Performance'	580	500	0150-1511
PL01-20x800/740-HP	Slider 'High Performance'	680	600	0150-1512
PL01-20x900/840-HP	Slider 'High Performance'	780	700	0150-1513
PL01-20x1000/940-HP	Slider 'High Performance'	880	800	0150-1514
PL01-20x1200/1140-HP	Slider 'High Performance'	1080	1000	0150-1515
PL01-20x1400/1340-HP	Slider 'High Performance'	1280	1200	0150-1516
PL01-20x1600/1540-HP	Slider 'High Performance'	1480	1400	0150-1517

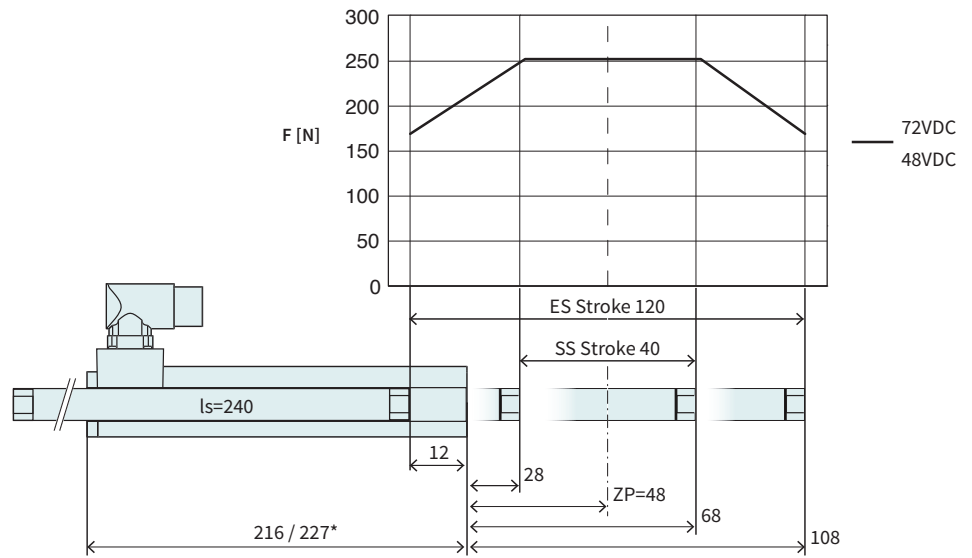
Slider Heavy Duty HP				
Item	Description	Max. Stroke [mm]	Standard Stroke [mm]	Item-No.
PL02-20x240/180-HP	Slider 'heavy duty' 'High Performance'	120	40	0150-2162
PL02-20x300/240-HP	Slider 'heavy duty' 'High Performance'	180	100	0150-2163
PL02-20x360/300-HP	Slider 'heavy duty' 'High Performance'	240	160	0150-2164
PL02-20x400/340-HP	Slider 'heavy duty' 'High Performance'	280	200	0150-2165
PL02-20x500/440-HP	Slider 'heavy duty' 'High Performance'	380	300	0150-2166
PL02-20x600/540-HP	Slider 'heavy duty' 'High Performance'	480	400	0150-2167
PL02-20x700/640-HP	Slider 'heavy duty' 'High Performance'	580	500	0150-2168
PL02-20x800/740-HP	Slider 'heavy duty' 'High Performance'	680	600	0150-2169
PL02-20x900/840-HP	Slider 'heavy duty' 'High Performance'	780	700	0150-2170

Hollow slider				
Item	Description	Max. Stroke [mm]	Standard Stroke [mm]	Item-No.
PL01-20x240/180-HP-L	Slider 'High Performance L'	120	100	0150-2540
PL01-20x300/240-HP-L	Slider 'High Performance L'	180	160	0150-3696
PL01-20x360/300-HP-L	Slider 'High Performance L'	240	220	0150-1537
PL01-20x400/340-HP-L	Slider 'High Performance L'	280	260	0150-3697
PL01-20x500/440-HP-L	Slider 'High Performance L'	380	360	0150-3698
PL01-20x600/540-HP-L	Slider 'High Performance L'	480	460	0150-3699
PL01-20x700/640-HP-L	Slider 'High Performance L'	580	560	0150-3700
PL01-20x800/740-HP-L	Slider 'High Performance L'	680	660	0150-3701
PL01-20x900/840-HP-L	Slider 'High Performance L'	780	760	0150-3702
PL01-20x1000/940-HP-L	Slider 'High Performance L'	880	860	0150-2510
PL01-20x1200/1140-HP-L	Slider 'High Performance L'	1080	1060	on request
PL01-20x1400/1340-HP-L	Slider 'High Performance L'	1280	1260	on request
PL01-20x1600/1540-HP-L	Slider 'High Performance L'	1480	1460	on request

High-Clearance Slider				
Item	Description	Max. Stroke [mm]	Standard Stroke [mm]	Item-No.
PL01-19x240/160	Slider 'high clearance'	100	80	0150-1448
PL01-19x300/220	Slider 'high clearance'	160	140	0150-1449
PL01-19x395/320	Slider 'high clearance'	260	240	0150-1452
PL01-19x500/420	Slider 'high clearance'	360	340	0150-1455
PL01-19x600/520	Slider 'high clearance'	460	440	0150-1456
PL01-19x700/620	Slider 'high clearance'	560	540	0150-1457

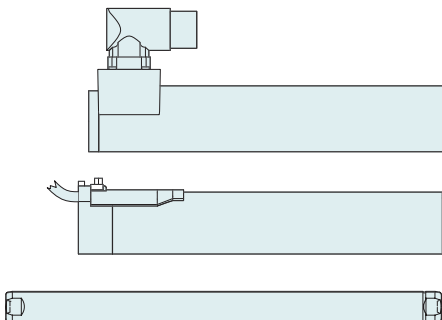
**P01-37x120F/40x120-HP**

**Max. Stroke:** 120 mm  
**Peak Force:** 255 N



Dimensions in mm  
 \*Cable Type

Technical Data P01-37x120F/40x120-HP			
<b>Stroke</b>			
Standard Stroke (SS)	mm (in)	40 (1.57)	
Extended Stroke (ES)	mm (in)	120 (4.71)	
<b>Force</b>			
Max. Force @ 48VDC	N (lbf)	255 (57.3)	
Max. Force @ 72VDC	N (lbf)	255 (57.3)	
Max. Cont. Force [Passive cooling / Fan / Fluid]	N (lbf)	48 / 87 / -	(11 / 20 / -)
Max. Border Force relative	%	67	
Force Constant	N/A <sub>pk</sub> (lbf/A <sub>pk</sub> )	17	(3.82)
<b>Velocity</b>			
Max. Velocity @ 48VDC	m/s (in/s)	2.5 (99.9)	
Max. Velocity @ 72VDC	m/s (in/s)	3.8 (149.9)	
<b>Position Detection</b>			
Repeatability	mm (in)	±0.05 (±0.002)	
Linearity	%	± 0.5	
<b>Electrical Data</b>			
Max. Current @ 48VDC	A <sub>pk</sub>	14.9	
Max. Current @ 72VDC	A <sub>pk</sub>	14.9	
Max. Cont. Current [Passive cooling / Fan / Fluid]	A <sub>pk</sub>	2.8 / 5.1 / -	
<b>Thermal Data</b>			
Max. Winding Temperature (Sensor)	°C	120	
Thermal Resistance [Passive cooling / Fan / Fluid]	°K/W	2.9 / 0.88 / -	
Thermal Time Constant [Passive cooling / Fan / Fluid]	s	1200 / 350 / -	
<b>Mechanical Data</b>			
Slider Length	mm (in)	240 (9.4)	
Slider Mass	g (lb)	490 (1.08)	

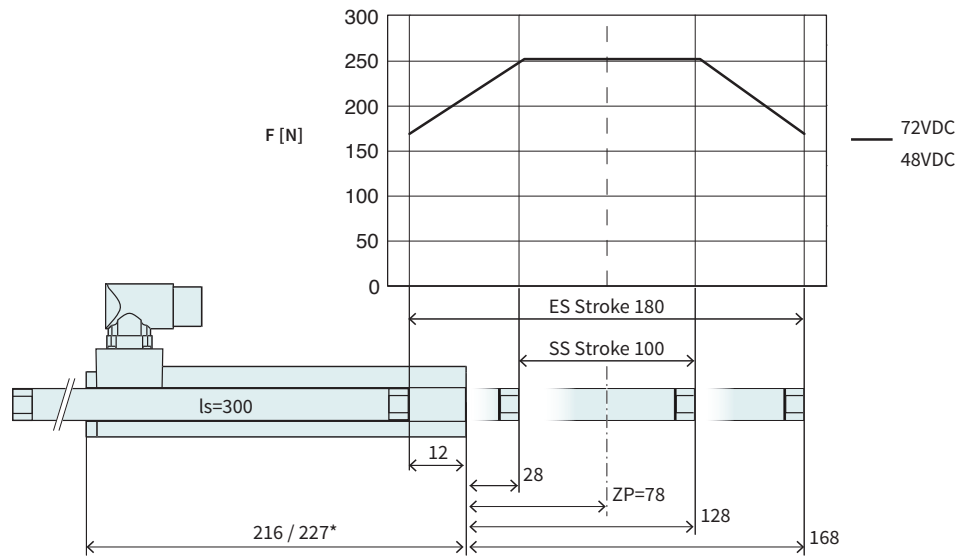


Item	Description	Item-No.
<b>PS01-37x120F-HP-C</b>	Stator HP with IP67 Connector M23/9(m)	0150-1251
<b>PS01-37x120F-HP-C20</b>	Stator HP, 0.2 m Cable, IP67 St. M23/9(m)	0150-1252
<b>PL01-20x240/180-HP</b>	Slider 'High Performance'	0150-1505
<b>PL02-20x240/180-HP</b>	Slider 'heavy duty' 'High Performance'	0150-2162
<b>PL01-20x240/180-HP-L*</b>	Slider 'High Performance L'	0150-2540
<b>PL01-19x240/160*</b>	Slider 'high clearance'	0150-1448

\* With this slider, the motor specifications above change.

**P01-37x120F/100x180-HP**

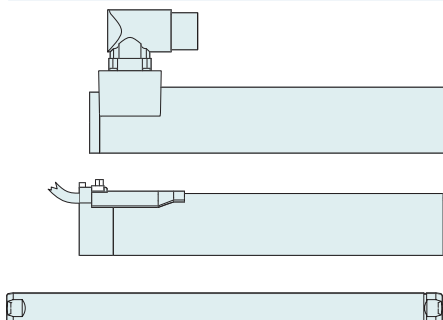
**Max. Stroke:** 180 mm  
**Peak Force:** 255 N



Dimensions in mm  
 \*Cable Type

Technical Data P01-37x120F/100x180-HP

Technical Data P01-37x120F/100x180-HP			
<b>Stroke</b>			
Standard Stroke (SS)	mm (in)		100 (3.93)
Extended Stroke (ES)	mm (in)		180 (7.08)
<b>Force</b>			
Max. Force @ 48VDC	N (lbf)		255 (57.3)
Max. Force @ 72VDC	N (lbf)		255 (57.3)
Max. Cont. Force [Passive cooling / Fan / Fluid]	N (lbf)		48 / 87 / - (11 / 20 / -)
Max. Border Force relative	%		67
Force Constant	N/A <sub>pk</sub> (lbf/A <sub>pk</sub> )		17 (3.82)
<b>Velocity</b>			
Max. Velocity @ 48VDC	m/s (in/s)		2.5 (99.9)
Max. Velocity @ 72VDC	m/s (in/s)		3.8 (149.9)
<b>Position Detection</b>			
Repeatability	mm (in)		±0.05 (±0.002)
Linearity	%		± 0.4
<b>Electrical Data</b>			
Max. Current @ 48VDC	A <sub>pk</sub>		14.9
Max. Current @ 72VDC	A <sub>pk</sub>		14.9
Max. Cont. Current [Passive cooling / Fan / Fluid]	A <sub>pk</sub>		2.8 / 5.1 / -
<b>Thermal Data</b>			
Max. Winding Temperature (Sensor)	°C		120
Thermal Resistance [Passive cooling / Fan / Fluid]	°K/W		2.9 / 0.88 / -
Thermal Time Constant [Passive cooling / Fan / Fluid]	s		1200 / 350 / -
<b>Mechanical Data</b>			
Slider Length	mm (in)		300 (12)
Slider Mass	g (lb)		630 (1.4)

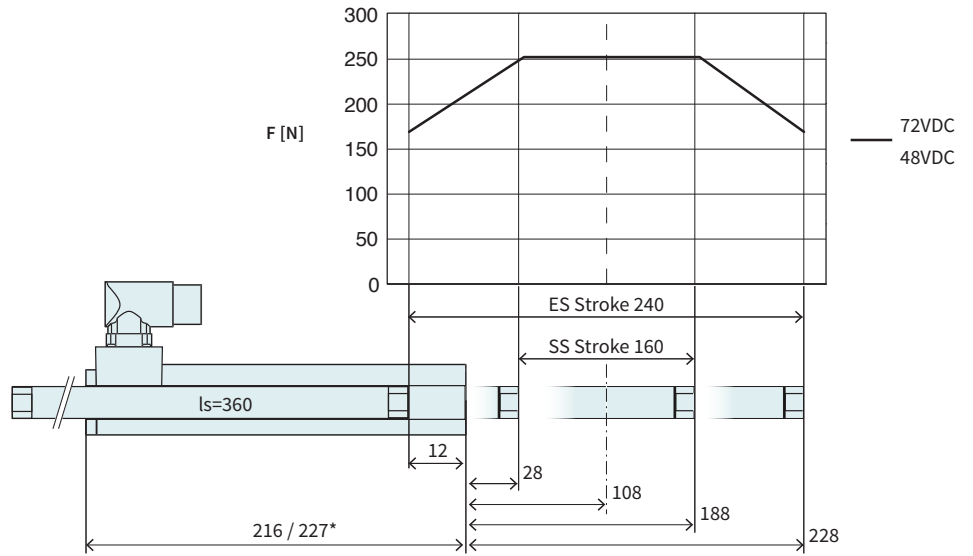


Item	Description	Item-No.
<b>PS01-37x120F-HP-C</b>	Stator HP with IP67 Connector M23/9(m)	0150-1251
<b>PS01-37x120F-HP-C20</b>	Stator HP, 0.2 m Cable, IP67 St. M23/9(m)	0150-1252
<b>PL01-20x300/240-HP</b>	Slider 'High Performance'	0150-1506
<b>PL02-20x300/240-HP</b>	Slider 'heavy duty' 'High Performance'	0150-2163
<b>PL01-20x300/240-HP-L*</b>	Slider 'High Performance L'	0150-3696
<b>PL01-19x300/220*</b>	Slider 'high clearance'	0150-1449

\* With this slider, the motor specifications above change.

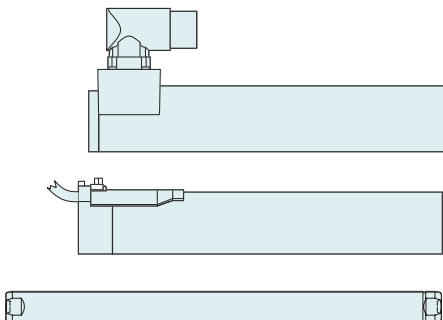
**P01-37x120F/160x240-HP**

**Max. Stroke:** 240 mm  
**Peak Force:** 255 N



Dimensions in mm  
 \*Cable Type

Technical Data P01-37x120F/160x240-HP				
<b>Stroke</b>				
Standard Stroke (SS)	mm	(in)	160	(6.29)
Extended Stroke (ES)	mm	(in)	240	(9.44)
<b>Force</b>				
Max. Force @ 48VDC	N	(lbf)	255	(57.3)
Max. Force @ 72VDC	N	(lbf)	255	(57.3)
Max. Cont. Force [Passive cooling / Fan / Fluid]	N	(lbf)	48 / 87 / -	(11 / 20 / -)
Max. Border Force relative	%		67	
Force Constant	N/A <sub>pk</sub>	(lbf/A <sub>pk</sub> )	17	(3.82)
<b>Velocity</b>				
Max. Velocity @ 48VDC	m/s	(in/s)	2.5	(99.9)
Max. Velocity @ 72VDC	m/s	(in/s)	3.8	(149.9)
<b>Position Detection</b>				
Repeatability	mm	(in)	±0.05	(±0.002)
Linearity	%		± 0.3	
<b>Electrical Data</b>				
Max. Current @ 48VDC	A <sub>pk</sub>		14.9	
Max. Current @ 72VDC	A <sub>pk</sub>		14.9	
Max. Cont. Current [Passive cooling / Fan / Fluid]	A <sub>pk</sub>		2.8 / 5.1 / -	
<b>Thermal Data</b>				
Max. Winding Temperature (Sensor)	°C		120	
Thermal Resistance [Passive cooling / Fan / Fluid]	°K/W		2.9 / 0.88 / -	
Thermal Time Constant [Passive cooling / Fan / Fluid]	s		1200 / 350 / -	
<b>Mechanical Data</b>				
Slider Length	mm	(in)	360	(14)
Slider Mass	g	(lb)	760	(1.67)

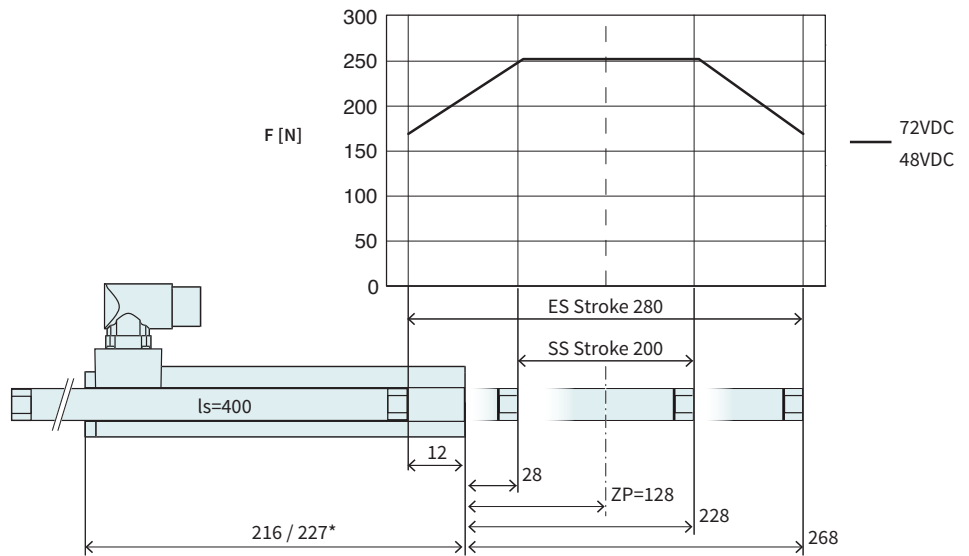


Item	Description	Item-No.
<b>PS01-37x120F-HP-C</b>	Stator HP with IP67 Connector M23/9(m)	0150-1251
<b>PS01-37x120F-HP-C20</b>	Stator HP, 0.2 m Cable, IP67 St. M23/9(m)	0150-1252
<b>PL01-20x360/300-HP</b>	Slider 'High Performance'	0150-1507
<b>PL02-20x360/300-HP</b>	Slider 'heavy duty' 'High Performance'	0150-2164
<b>PL01-20x360/300-HP-L*</b>	Slider 'High Performance L'	0150-1537

\* With this slider, the motor specifications above change.

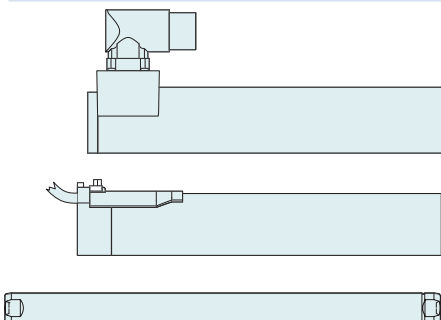
**P01-37x120F/200x280-HP**

**Max. Stroke:** 280 mm  
**Peak Force:** 255 N



Dimensions in mm  
 \*Cable Type

Technical Data P01-37x120F/200x280-HP			
<b>Stroke</b>			
Standard Stroke (SS)	mm (in)		200 (7.86)
Extended Stroke (ES)	mm (in)		280 (10.99)
<b>Force</b>			
Max. Force @ 48VDC	N (lbf)		255 (57.3)
Max. Force @ 72VDC	N (lbf)		255 (57.3)
Max. Cont. Force [Passive cooling / Fan / Fluid]	N (lbf)		48 / 87 / - (11 / 20 / -)
Max. Border Force relative	%		67
Force Constant	N/A <sub>pk</sub> (lbf/A <sub>pk</sub> )		17 (3.82)
<b>Velocity</b>			
Max. Velocity @ 48VDC	m/s (in/s)		2.5 (99.9)
Max. Velocity @ 72VDC	m/s (in/s)		3.8 (149.9)
<b>Position Detection</b>			
Repeatability	mm (in)		±0.05 (±0.002)
Linearity	%		± 0.3
<b>Electrical Data</b>			
Max. Current @ 48VDC	A <sub>pk</sub>		14.9
Max. Current @ 72VDC	A <sub>pk</sub>		14.9
Max. Cont. Current [Passive cooling / Fan / Fluid]	A <sub>pk</sub>		2.8 / 5.1 / -
<b>Thermal Data</b>			
Max. Winding Temperature (Sensor)	°C		120
Thermal Resistance [Passive cooling / Fan / Fluid]	°K/W		2.9 / 0.88 / -
Thermal Time Constant [Passive cooling / Fan / Fluid]	s		1200 / 350 / -
<b>Mechanical Data</b>			
Slider Length	mm (in)		400 (16)
Slider Mass	g (lb)		860 (1.89)



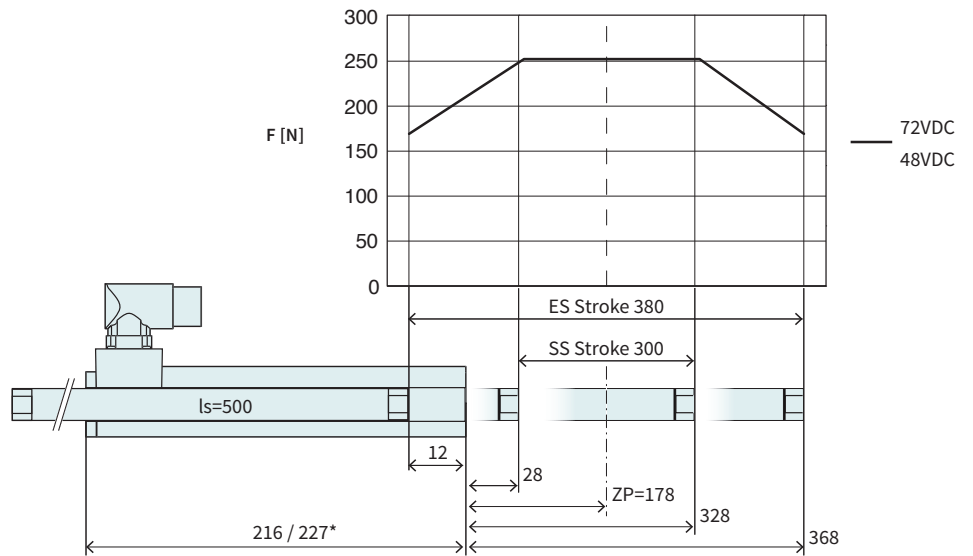
Item	Description	Item-No.
<b>PS01-37x120F-HP-C</b>	Stator HP with IP67 Connector M23/9(m)	0150-1251
<b>PS01-37x120F-HP-C20</b>	Stator HP, 0.2 m Cable, IP67 St. M23/9(m)	0150-1252
<b>PL01-20x400/340-HP</b>	Slider 'High Performance'	0150-1508
<b>PL02-20x400/340-HP</b>	Slider 'heavy duty' 'High Performance'	0150-2165
<b>PL01-20x400/340-HP-L*</b>	Slider 'High Performance L'	0150-3697
<b>PL01-19x395/320*</b>	Slider 'high clearance'	0150-1452

\* With this slider, the motor specifications above change.



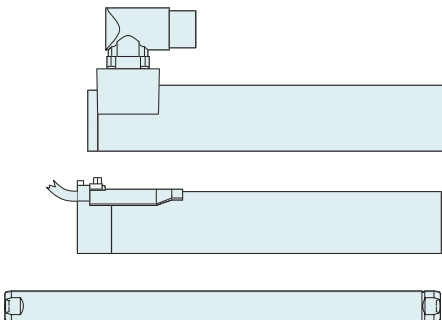
**P01-37x120F/300x380-HP**

**Max. Stroke:** 380 mm  
**Peak Force:** 255 N



Dimensions in mm  
 \*Cable Type

Technical Data P01-37x120F/300x380-HP			
<b>Stroke</b>			
Standard Stroke (SS)	mm (in)	300	(11.8)
Extended Stroke (ES)	mm (in)	380	(14.99)
<b>Force</b>			
Max. Force @ 48VDC	N (lbf)	255	(57.3)
Max. Force @ 72VDC	N (lbf)	255	(57.3)
Max. Cont. Force [Passive cooling / Fan / Fluid]	N (lbf)	48 / 87 / -	(11 / 20 / -)
Max. Border Force relative	%	67	
Force Constant	N/A <sub>pk</sub> (lbf/A <sub>pk</sub> )	17	(3.82)
<b>Velocity</b>			
Max. Velocity @ 48VDC	m/s (in/s)	2.5	(99.9)
Max. Velocity @ 72VDC	m/s (in/s)	3.8	(149.9)
<b>Position Detection</b>			
Repeatability	mm (in)	±0.05	(±0.002)
Linearity	%	± 0.25	
<b>Electrical Data</b>			
Max. Current @ 48VDC	A <sub>pk</sub>	14.9	
Max. Current @ 72VDC	A <sub>pk</sub>	14.9	
Max. Cont. Current [Passive cooling / Fan / Fluid]	A <sub>pk</sub>	2.8 / 5.1 / -	
<b>Thermal Data</b>			
Max. Winding Temperature (Sensor)	°C	120	
Thermal Resistance [Passive cooling / Fan / Fluid]	°K/W	2.9 / 0.88 / -	
Thermal Time Constant [Passive cooling / Fan / Fluid]	s	1200 / 350 / -	
<b>Mechanical Data</b>			
Slider Length	mm (in)	500	(20)
Slider Mass	g (lb)	1090	(2.4)

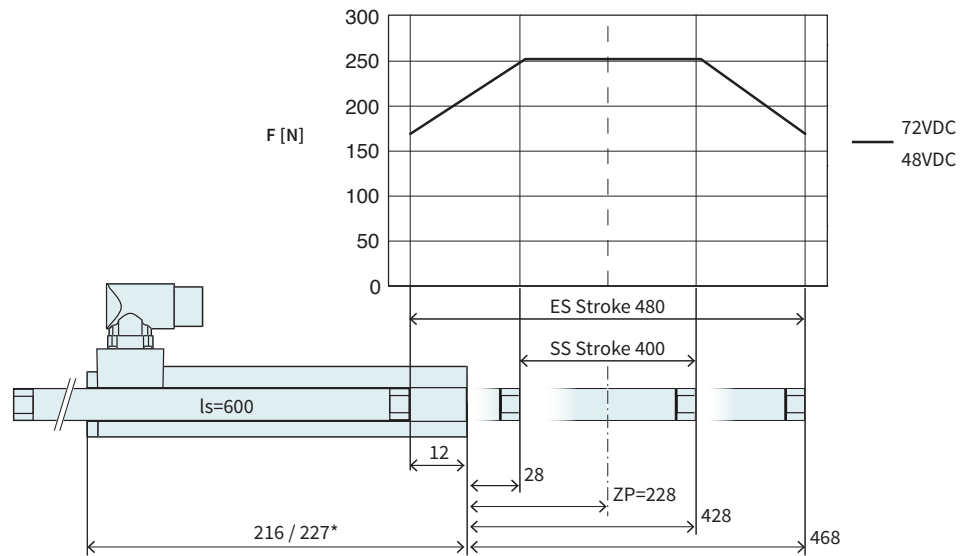


Item	Description	Item-No.
<b>PS01-37x120F-HP-C</b>	Stator HP with IP67 Connector M23/9(m)	0150-1251
<b>PS01-37x120F-HP-C20</b>	Stator HP, 0.2 m Cable, IP67 St. M23/9(m)	0150-1252
<b>PL01-20x500/440-HP</b>	Slider 'High Performance'	0150-1509
<b>PL02-20x500/440-HP</b>	Slider 'heavy duty' 'High Performance'	0150-2166
<b>PL01-20x500/440-HP-L*</b>	Slider 'High Performance L'	0150-3698
<b>PL01-19x500/420*</b>	Slider 'high clearance'	0150-1455

\* With this slider, the motor specifications above change.

**P01-37x120F/400x480-HP**

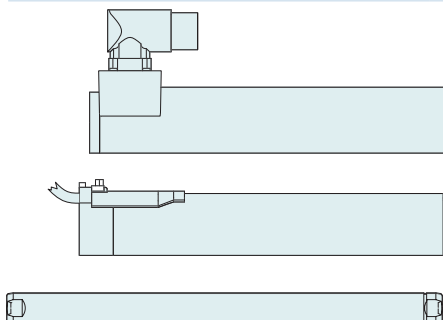
**Max. Stroke:** 480 mm  
**Peak Force:** 255 N



Dimensions in mm  
 \*Cable Type

Technical Data P01-37x120F/400x480-HP

Technical Data P01-37x120F/400x480-HP			
<b>Stroke</b>			
Standard Stroke (SS)	mm (in)		400 (15.69)
Extended Stroke (ES)	mm (in)		480 (18.89)
<b>Force</b>			
Max. Force @ 48VDC	N (lbf)		255 (57.3)
Max. Force @ 72VDC	N (lbf)		255 (57.3)
Max. Cont. Force [Passive cooling / Fan / Fluid]	N (lbf)		48 / 87 / - (11 / 20 / -)
Max. Border Force relative	%		67
Force Constant	N/A <sub>pk</sub> (lbf/A <sub>pk</sub> )		17 (3.82)
<b>Velocity</b>			
Max. Velocity @ 48VDC	m/s (in/s)		2.5 (99.9)
Max. Velocity @ 72VDC	m/s (in/s)		3.8 (149.9)
<b>Position Detection</b>			
Repeatability	mm (in)		±0.05 (±0.002)
Linearity	%		± 0.2
<b>Electrical Data</b>			
Max. Current @ 48VDC	A <sub>pk</sub>		14.9
Max. Current @ 72VDC	A <sub>pk</sub>		14.9
Max. Cont. Current [Passive cooling / Fan / Fluid]	A <sub>pk</sub>		2.8 / 5.1 / -
<b>Thermal Data</b>			
Max. Winding Temperature (Sensor)	°C		120
Thermal Resistance [Passive cooling / Fan / Fluid]	°K/W		2.9 / 0.88 / -
Thermal Time Constant [Passive cooling / Fan / Fluid]	s		1200 / 350 / -
<b>Mechanical Data</b>			
Slider Length	mm (in)		600 (24)
Slider Mass	g (lb)		1330 (2.93)

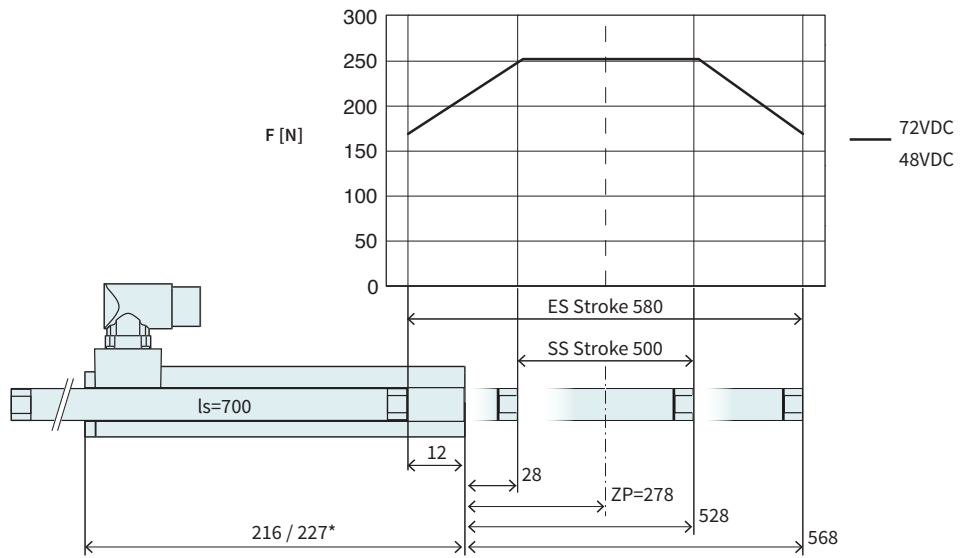


Item	Description	Item-No.
<b>PS01-37x120F-HP-C</b>	Stator HP with IP67 Connector M23/9(m)	0150-1251
<b>PS01-37x120F-HP-C20</b>	Stator HP, 0.2 m Cable, IP67 St. M23/9(m)	0150-1252
<b>PL01-20x600/540-HP</b>	Slider 'High Performance'	0150-1510
<b>PL02-20x600/540-HP</b>	Slider 'heavy duty' 'High Performance'	0150-2167
<b>PL01-20x600/540-HP-L*</b>	Slider 'High Performance L'	0150-3699
<b>PL01-19x600/520*</b>	Slider 'high clearance'	0150-1456

\* With this slider, the motor specifications above change.

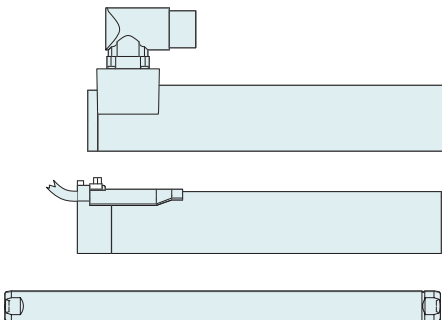
**P01-37x120F/500x580-HP**

**Max. Stroke:** 580 mm  
**Peak Force:** 255 N



Dimensions in mm  
 \*Cable Type

Technical Data P01-37x120F/500x580-HP			
<b>Stroke</b>			
Standard Stroke (SS)	mm (in)	500 (19.69)	
Extended Stroke (ES)	mm (in)	580 (22.8)	
<b>Force</b>			
Max. Force @ 48VDC	N (lbf)	255 (57.3)	
Max. Force @ 72VDC	N (lbf)	255 (57.3)	
Max. Cont. Force [Passive cooling / Fan / Fluid]	N (lbf)	48 / 87 / -	(11 / 20 / -)
Max. Border Force relative	%	67	
Force Constant	N/A <sub>pk</sub> (lbf/A <sub>pk</sub> )	17	(3.82)
<b>Velocity</b>			
Max. Velocity @ 48VDC	m/s (in/s)	2.5 (99.9)	
Max. Velocity @ 72VDC	m/s (in/s)	3.8 (149.9)	
<b>Position Detection</b>			
Repeatability	mm (in)	±0.05 (±0.002)	
Linearity	%	± 0.2	
<b>Electrical Data</b>			
Max. Current @ 48VDC	A <sub>pk</sub>	14.9	
Max. Current @ 72VDC	A <sub>pk</sub>	14.9	
Max. Cont. Current [Passive cooling / Fan / Fluid]	A <sub>pk</sub>	2.8 / 5.1 / -	
<b>Thermal Data</b>			
Max. Winding Temperature (Sensor)	°C	120	
Thermal Resistance [Passive cooling / Fan / Fluid]	°K/W	2.9 / 0.88 / -	
Thermal Time Constant [Passive cooling / Fan / Fluid]	s	1200 / 350 / -	
<b>Mechanical Data</b>			
Slider Length	mm (in)	700 (28)	
Slider Mass	g (lb)	1560 (3.43)	

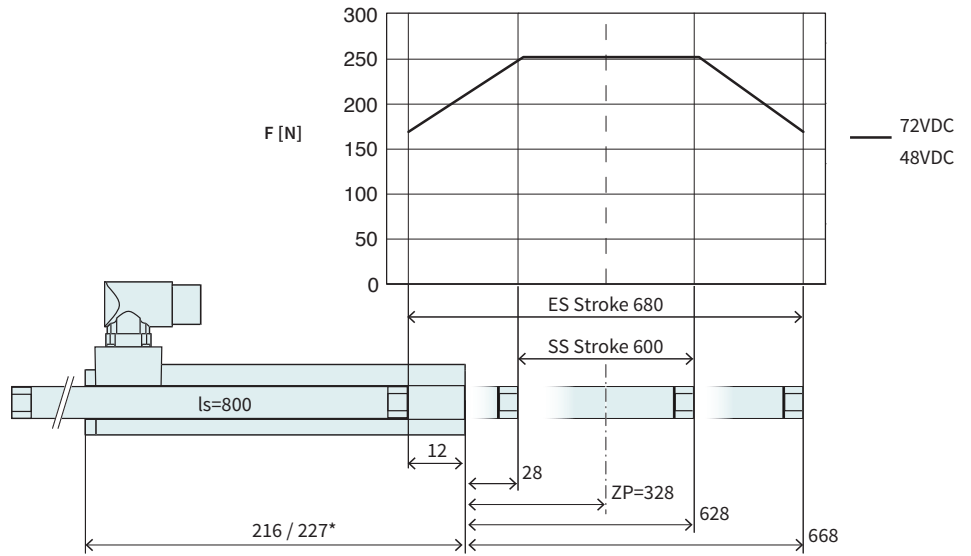


Item	Description	Item-No.
<b>PS01-37x120F-HP-C</b>	Stator HP with IP67 Connector M23/9(m)	0150-1251
<b>PS01-37x120F-HP-C20</b>	Stator HP, 0.2 m Cable, IP67 St. M23/9(m)	0150-1252
<b>PL01-20x700/640-HP</b>	Slider 'High Performance'	0150-1511
<b>PL02-20x700/640-HP</b>	Slider 'heavy duty' 'High Performance'	0150-2168
<b>PL01-20x700/640-HP-L*</b>	Slider 'High Performance L'	0150-3700
<b>PL01-19x700/620*</b>	Slider 'high clearance'	0150-1457

\* With this slider, the motor specifications above change.

**P01-37x120F/600x680-HP**

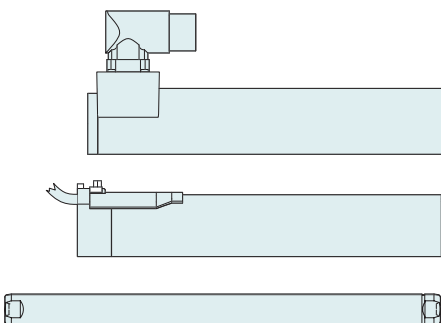
**Max. Stroke:** 680 mm  
**Peak Force:** 255 N



Dimensions in mm  
 \*Cable Type

Technical Data P01-37x120F/600x680-HP

Technical Data P01-37x120F/600x680-HP			
<b>Stroke</b>			
Standard Stroke (SS)	mm (in)		600 (23.6)
Extended Stroke (ES)	mm (in)		680 (26.8)
<b>Force</b>			
Max. Force @ 48VDC	N (lbf)		255 (57.3)
Max. Force @ 72VDC	N (lbf)		255 (57.3)
Max. Cont. Force [Passive cooling / Fan / Fluid]	N (lbf)		48 / 87 / - (11 / 20 / -)
Max. Border Force relative	%		67
Force Constant	N/A <sub>pk</sub> (lbf/A <sub>pk</sub> )		17 (3.82)
<b>Velocity</b>			
Max. Velocity @ 48VDC	m/s (in/s)		2.5 (99.9)
Max. Velocity @ 72VDC	m/s (in/s)		3.8 (149.9)
<b>Position Detection</b>			
Repeatability	mm (in)		±0.05 (±0.002)
Linearity	%		± 0.15
<b>Electrical Data</b>			
Max. Current @ 48VDC	A <sub>pk</sub>		14.9
Max. Current @ 72VDC	A <sub>pk</sub>		14.9
Max. Cont. Current [Passive cooling / Fan / Fluid]	A <sub>pk</sub>		2.8 / 5.1 / -
<b>Thermal Data</b>			
Max. Winding Temperature (Sensor)	°C		120
Thermal Resistance [Passive cooling / Fan / Fluid]	°K/W		2.9 / 0.88 / -
Thermal Time Constant [Passive cooling / Fan / Fluid]	s		1200 / 350 / -
<b>Mechanical Data</b>			
Slider Length	mm (in)		800 (31)
Slider Mass	g (lb)		1790 (3.94)

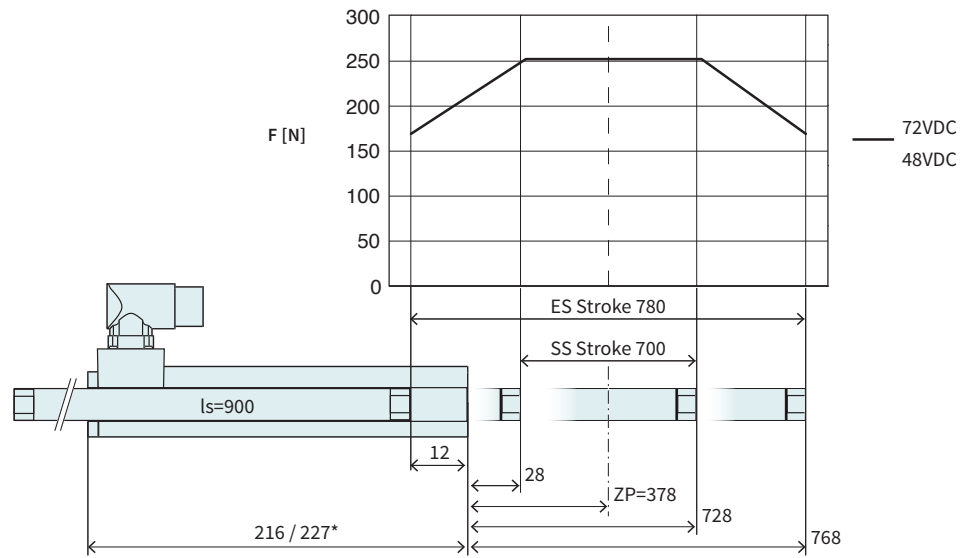


Item	Description	Item-No.
<b>PS01-37x120F-HP-C</b>	Stator HP with IP67 Connector M23/9(m)	0150-1251
<b>PS01-37x120F-HP-C20</b>	Stator HP, 0.2 m Cable, IP67 St. M23/9(m)	0150-1252
<b>PL01-20x800/740-HP</b>	Slider 'High Performance'	0150-1512
<b>PL02-20x800/740-HP</b>	Slider 'heavy duty' 'High Performance'	0150-2169
<b>PL01-20x800/740-HP-L*</b>	Slider 'High Performance L'	0150-3701

\* With this slider, the motor specifications above change.

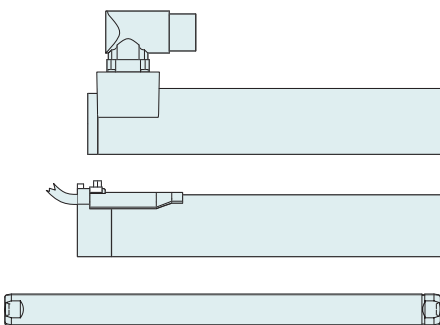
**P01-37x120F/700x780-HP**

**Max. Stroke:** 780 mm  
**Peak Force:** 255 N



Dimensions in mm  
 \*Cable Type

Technical Data P01-37x120F/700x780-HP			
<b>Stroke</b>			
Standard Stroke (SS)	mm (in)	700 (27.6)	
Extended Stroke (ES)	mm (in)	780 (30.69)	
<b>Force</b>			
Max. Force @ 48VDC	N (lbf)	255 (57.3)	
Max. Force @ 72VDC	N (lbf)	255 (57.3)	
Max. Cont. Force [Passive cooling / Fan / Fluid]	N (lbf)	48 / 87 / -	(11 / 20 / -)
Max. Border Force relative	%	67	
Force Constant	N/A <sub>pk</sub> (lbf/A <sub>pk</sub> )	17	(3.82)
<b>Velocity</b>			
Max. Velocity @ 48VDC	m/s (in/s)	2.5 (99.9)	
Max. Velocity @ 72VDC	m/s (in/s)	3.8 (149.9)	
<b>Position Detection</b>			
Repeatability	mm (in)	±0.05	(±0.002)
Linearity	%	± 0.15	
<b>Electrical Data</b>			
Max. Current @ 48VDC	A <sub>pk</sub>	14.9	
Max. Current @ 72VDC	A <sub>pk</sub>	14.9	
Max. Cont. Current [Passive cooling / Fan / Fluid]	A <sub>pk</sub>	2.8 / 5.1 / -	
<b>Thermal Data</b>			
Max. Winding Temperature (Sensor)	°C	120	
Thermal Resistance [Passive cooling / Fan / Fluid]	°K/W	2.9 / 0.88 / -	
Thermal Time Constant [Passive cooling / Fan / Fluid]	s	1200 / 350 / -	
<b>Mechanical Data</b>			
Slider Length	mm (in)	900 (35)	
Slider Mass	g (lb)	2020 (4.44)	

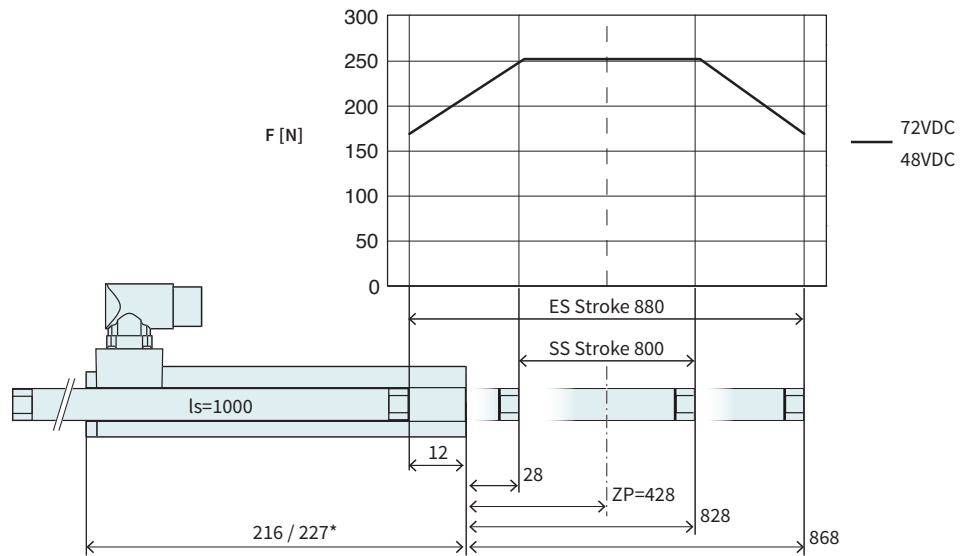


Item	Description	Item-No.
<b>PS01-37x120F-HP-C</b>	Stator HP with IP67 Connector M23/9(m)	0150-1251
<b>PS01-37x120F-HP-C20</b>	Stator HP, 0.2 m Cable, IP67 St. M23/9(m)	0150-1252
<b>PL01-20x900/840-HP</b>	Slider 'High Performance'	0150-1513
<b>PL02-20x900/840-HP</b>	Slider 'heavy duty' 'High Performance'	0150-2170
<b>PL01-20x900/840-HP-L*</b>	Slider 'High Performance L'	0150-3702

\* With this slider, the motor specifications above change.

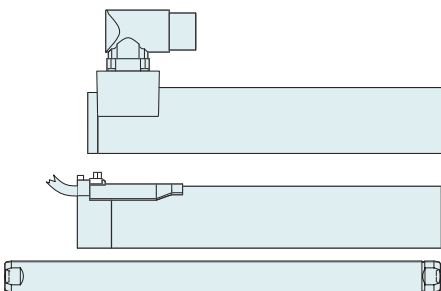
**P01-37x120F/800x880-HP**

**Max. Stroke:** 880 mm  
**Peak Force:** 255 N



Dimensions in mm  
 \*Cable Type

Technical Data P01-37x120F/800x880-HP			
<b>Stroke</b>			
Standard Stroke (SS)	mm (in)	800 (31.49)	
Extended Stroke (ES)	mm (in)	880 (34.6)	
<b>Force</b>			
Max. Force @ 48VDC	N (lbf)	255 (57.3)	
Max. Force @ 72VDC	N (lbf)	255 (57.3)	
Max. Cont. Force [Passive cooling / Fan / Fluid]	N (lbf)	48 / 87 / - (11 / 20 / -)	
Max. Border Force relative	%	67	
Force Constant	N/A <sub>pk</sub> (lbf/A <sub>pk</sub> )	17 (3.82)	
<b>Velocity</b>			
Max. Velocity @ 48VDC	m/s (in/s)	2.5 (99.9)	
Max. Velocity @ 72VDC	m/s (in/s)	3.8 (149.9)	
<b>Position Detection</b>			
Repeatability	mm (in)	±0.05 (±0.002)	
Linearity	%	± 0.15	
<b>Electrical Data</b>			
Max. Current @ 48VDC	A <sub>pk</sub>	14.9	
Max. Current @ 72VDC	A <sub>pk</sub>	14.9	
Max. Cont. Current [Passive cooling / Fan / Fluid]	A <sub>pk</sub>	2.8 / 5.1 / -	
<b>Thermal Data</b>			
Max. Winding Temperature (Sensor)	°C	120	
Thermal Resistance [Passive cooling / Fan / Fluid]	°K/W	2.9 / 0.88 / -	
Thermal Time Constant [Passive cooling / Fan / Fluid]	s	1200 / 350 / -	
<b>Mechanical Data</b>			
Slider Length	mm (in)	1000 (39)	
Slider Mass	g (lb)	2230 (4.91)	

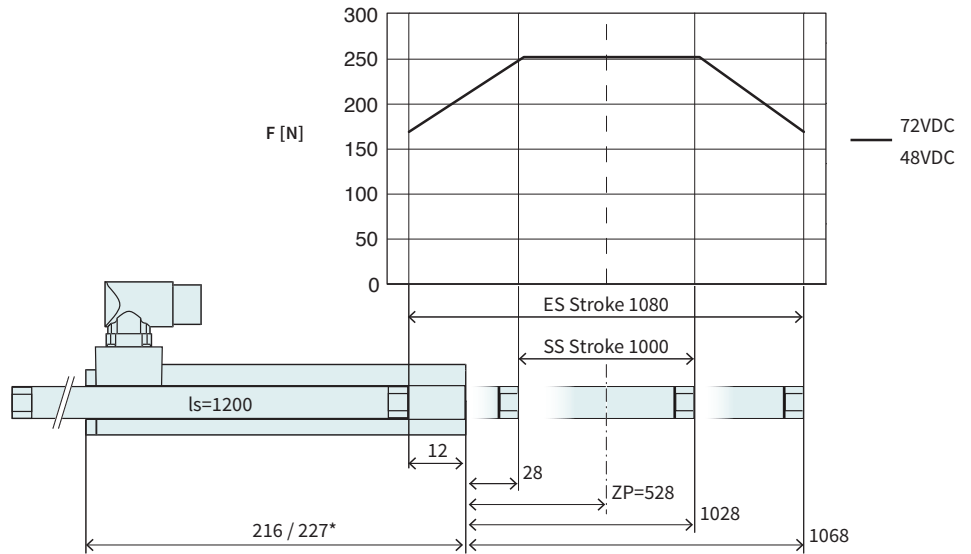


Item	Description	Item-No.
<b>PS01-37x120F-HP-C</b>	Stator HP with IP67 Connector M23/9(m)	0150-1251
<b>PS01-37x120F-HP-C20</b>	Stator HP, 0.2 m Cable, IP67 St. M23/9(m)	0150-1252
<b>PL01-20x1000/940-HP</b>	Slider 'High Performance'	0150-1514
<b>PL01-20x1000/940-HP-L*</b>	Slider 'High Performance L'	0150-3703

\* With this slider, the motor specifications above change.

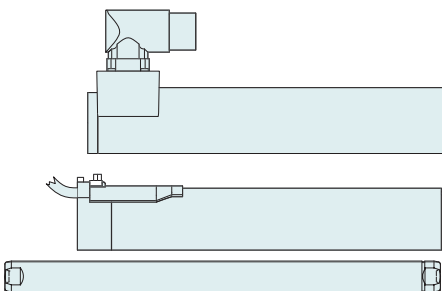
**P01-37x120F/1000x1080-HP**

**Max. Stroke:** 1080 mm  
**Peak Force:** 255 N



Dimensions in mm  
 \*Cable Type

Technical Data P01-37x120F/1000x1080-HP			
<b>Stroke</b>			
Standard Stroke (SS)	mm (in)	1000	(39.39)
Extended Stroke (ES)	mm (in)	1080	(42.49)
<b>Force</b>			
Max. Force @ 48VDC	N (lbf)	255	(57.3)
Max. Force @ 72VDC	N (lbf)	255	(57.3)
Max. Cont. Force [Passive cooling / Fan / Fluid]	N (lbf)	48 / 87 / -	(11 / 20 / -)
Max. Border Force relative	%	67	
Force Constant	N/A <sub>pk</sub> (lbf/A <sub>pk</sub> )	17	(3.82)
<b>Velocity</b>			
Max. Velocity @ 48VDC	m/s (in/s)	2.5	(99.9)
Max. Velocity @ 72VDC	m/s (in/s)	3.8	(149.9)
<b>Position Detection</b>			
Repeatability	mm (in)	±0.05	(±0.002)
Linearity	%	± 0.15	
<b>Electrical Data</b>			
Max. Current @ 48VDC	A <sub>pk</sub>	14.9	
Max. Current @ 72VDC	A <sub>pk</sub>	14.9	
Max. Cont. Current [Passive cooling / Fan / Fluid]	A <sub>pk</sub>	2.8 / 5.1 / -	
<b>Thermal Data</b>			
Max. Winding Temperature (Sensor)	°C	120	
Thermal Resistance [Passive cooling / Fan / Fluid]	°K/W	2.9 / 0.88 / -	
Thermal Time Constant [Passive cooling / Fan / Fluid]	s	1200 / 350 / -	
<b>Mechanical Data</b>			
Slider Length	mm (in)	1200	(47)
Slider Mass	g (lb)	2690	(5.92)

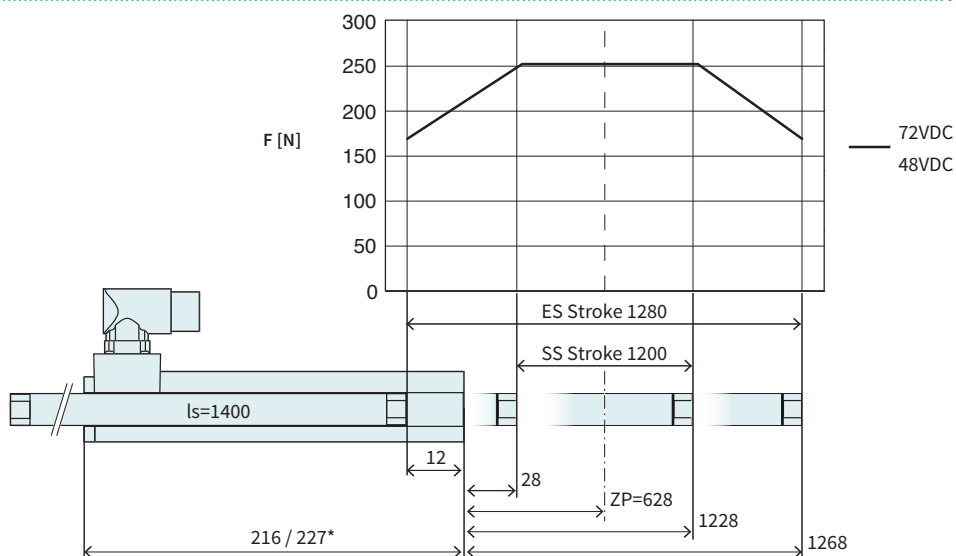


Item	Description	Item-No.
<b>PS01-37x120F-HP-C</b>	Stator HP with IP67 Connector M23/9(m)	0150-1251
<b>PS01-37x120F-HP-C20</b>	Stator HP, 0.2 m Cable, IP67 St. M23/9(m)	0150-1252
<b>PL01-20x1200/1140-HP</b>	Slider 'High Performance'	0150-1515
<b>PL01-20x1200/1140-HP-L*</b>	Slider 'High Performance L'	0150-2510

\* With this slider, the motor specifications above change.

**P01-37x120F/1200x1280-HP**

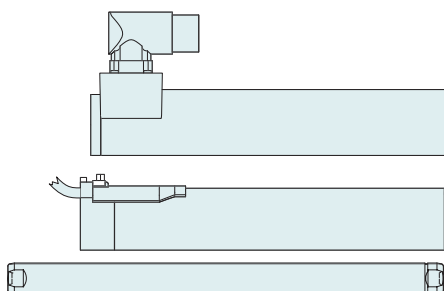
**Max. Stroke:** 1280 mm  
**Peak Force:** 255 N



Dimensions in mm  
 \*Cable Type

**Technical Data P01-37x120F/1200x1280-HP**

Stroke			
Standard Stroke (SS)	mm (in)	1200 (47.2)	
Extended Stroke (ES)	mm (in)	1280 (50.39)	
Force			
Max. Force @ 48VDC	N (lbf)	255 (57.3)	
Max. Force @ 72VDC	N (lbf)	255 (57.3)	
Max. Cont. Force [Passive cooling / Fan / Fluid]	N (lbf)	48 / 87 / - (11 / 20 / -)	
Max. Border Force relative	%	67	
Force Constant	N/A <sub>pk</sub> (lbf/A <sub>pk</sub> )	17 (3.82)	
Velocity			
Max. Velocity @ 48VDC	m/s (in/s)	2.5 (99.9)	
Max. Velocity @ 72VDC	m/s (in/s)	3.8 (149.9)	
Position Detection			
Repeatability	mm (in)	±0.05 (±0.002)	
Linearity	%	± 0.15	
Electrical Data			
Max. Current @ 48VDC	A <sub>pk</sub>	14.9	
Max. Current @ 72VDC	A <sub>pk</sub>	14.9	
Max. Cont. Current [Passive cooling / Fan / Fluid]	A <sub>pk</sub>	2.8 / 5.1 / -	
Thermal Data			
Max. Winding Temperature (Sensor)	°C	120	
Thermal Resistance [Passive cooling / Fan / Fluid]	°K/W	2.9 / 0.88 / -	
Thermal Time Constant [Passive cooling / Fan / Fluid]	s	1200 / 350 / -	
Mechanical Data			
Slider Length	mm (in)	1400 (55)	
Slider Mass	g (lb)	3160 (6.95)	



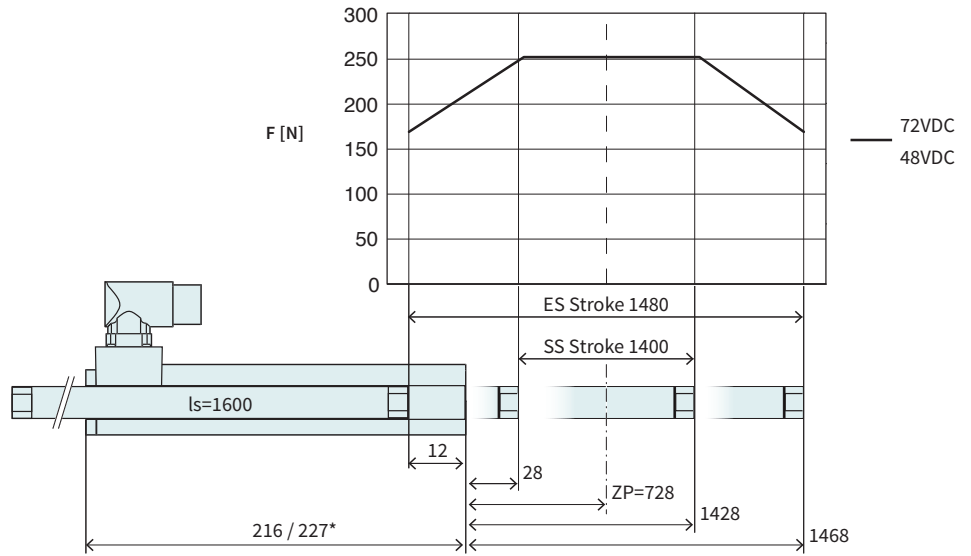
Item	Description	Item-No.
<b>PS01-37x120F-HP-C</b>	Stator HP with IP67 Connector M23/9(m)	0150-1251
<b>PS01-37x120F-HP-C20</b>	Stator HP, 0.2 m Cable, IP67 St. M23/9(m)	0150-1252
<b>PL01-20x1400/1340-HP</b>	Slider 'High Performance'	0150-1516
<b>PL01-20x1400/1340-HP-L*</b>	Slider 'High Performance L'	on request

\* With this slider, the motor specifications above change.



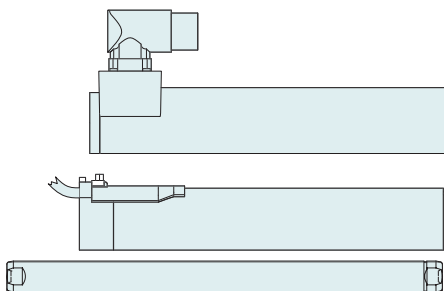
**P01-37x120F/1400x1480-HP**

**Max. Stroke:** 1480 mm  
**Peak Force:** 255 N



Dimensions in mm  
 \*Cable Type

Technical Data P01-37x120F/1400x1480-HP			
<b>Stroke</b>			
Standard Stroke (SS)	mm (in)		1400 (55.1)
Extended Stroke (ES)	mm (in)		1480 (58.29)
<b>Force</b>			
Max. Force @ 48VDC	N (lbf)		255 (57.3)
Max. Force @ 72VDC	N (lbf)		255 (57.3)
Max. Cont. Force [Passive cooling / Fan / Fluid]	N (lbf)		48 / 87 / - (11 / 20 / -)
Max. Border Force relative	%		67
Force Constant	N/A <sub>pk</sub> (lbf/A <sub>pk</sub> )		17 (3.82)
<b>Velocity</b>			
Max. Velocity @ 48VDC	m/s (in/s)		2.5 (99.9)
Max. Velocity @ 72VDC	m/s (in/s)		3.8 (149.9)
<b>Position Detection</b>			
Repeatability	mm (in)		±0.05 (±0.002)
Linearity	%		± 0.15
<b>Electrical Data</b>			
Max. Current @ 48VDC	A <sub>pk</sub>		14.9
Max. Current @ 72VDC	A <sub>pk</sub>		14.9
Max. Cont. Current [Passive cooling / Fan / Fluid]	A <sub>pk</sub>		2.8 / 5.1 / -
<b>Thermal Data</b>			
Max. Winding Temperature (Sensor)	°C		120
Thermal Resistance [Passive cooling / Fan / Fluid]	*K/W		2.9 / 0.88 / -
Thermal Time Constant [Passive cooling / Fan / Fluid]	s		1200 / 350 / -
<b>Mechanical Data</b>			
Slider Length	mm (in)		1600 (63)
Slider Mass	g (lb)		3620 (7.96)



Item	Description	Item-No.
<b>PS01-37x120F-HP-C</b>	Stator HP with IP67 Connector M23/9(m)	0150-1251
<b>PS01-37x120F-HP-C20</b>	Stator HP, 0.2 m Cable, IP67 St. M23/9(m)	0150-1252
<b>PL01-20x1600/1540-HP</b>	Slider 'High Performance'	0150-1517
<b>PL01-20x1600/1540-HP-L*</b>	Slider 'High Performance L'	on request

\* With this slider, the motor specifications above change.

**Linear Guides H01**



**HM01-37x120/80 | Linear Module 37x120 with 80 mm Stroke**

→	H-Guide	H01-37x166/80	H-Guide for P01-37x120, Stroke max 80 mm	0150-5020
		H01-37x166/80-GF	H-Guide for P01-37x120, Stroke max 80 mm	0150-5080
→	Stator	PS01-37x120F-HP-C	Stator HP with IP67 Connector M23/9(m)	0150-1251
		PS01-37x120F-HP-C20	Stator HP, 0.2m Cable, IP67 St. M23/9(m)	0150-1252
→	Slider	PL01-20x300/240-HP	Slider 'High Performance'	0150-1506
		PL02-20x300/240-HP	Slider 'heavy duty' 'High Performance'	0150-2163

**HM01-37x120/180 | Linear Module 37x120 with 180 mm Stroke**

→	H-Guide	H01-37x166/180	H-Guide for P01-37x120, Stroke max 180 mm	0150-5021
		H01-37x166/180-GF	H-Guide for P01-37x120, Stroke max 180mm	0150-5081
→	Stator	PS01-37x120F-HP-C	Stator HP with IP67 Connector M23/9(m)	0150-1251
		PS01-37x120F-HP-C20	Stator HP, 0.2m Cable, IP67 St. M23/9(m)	0150-1252
→	Slider	PL01-20x400/340-HP	Slider 'High Performance'	0150-1508
		PL02-20x400/340-HP	Slider 'heavy duty' 'High Performance'	0150-2165

**HM01-37x120/280 | Linear Module 37x120 with 280 mm Stroke**

→	H-Guide	H01-37x166/280	H-Guide for P01-37x120, Stroke max 280mm	0150-5022
		H01-37x166/280-GF	H-Guide for P01-37x120, Stroke max 280mm	0150-5082
→	Stator	PS01-37x120F-HP-C	Stator HP with IP67 Connector M23/9(m)	0150-1251
		PS01-37x120F-HP-C20	Stator HP, 0.2m Cable, IP67 St. M23/9(m)	0150-1252
→	Slider	PL01-20x500/440-HP	Slider 'High Performance'	0150-1509
		PL02-20x500/440-HP	Slider 'heavy duty' 'High Performance'	0150-2166

**Accessories**

→	Brake	HB01-37	Pneumatic Brake for H01-37/600N (4-6Bar)	0150-5052
→	Fan	HV01-37/48	Fan cooling for H01-37/48 & PF02-37/48	0150-5051
→	MagSpring	MF01-37/H37	Flange MagSpring 37 / H-Guide 23/37/48	0250-2307
		MA01-37/H37	Adapter MagSpring 37&20 / H-Guide 37	0250-0117
→	Centering sleeve	HC01-09/04	Centering sleeve D9x4 mm	0150-3251
→	Wipers	HA01-27/20-F	Wiper for H01-37 guides, front side	0150-5108

FIND MORE PRODUCT DETAILS IN THE CHAPTER "LINEAR GUIDES".

**Bridge Guide B01**



**BM01-37x120/160 | Bridge Module 37x120 with 160 mm Stroke <sup>1)</sup>**

→	B-Guide	B01-37x166/160	B-Guide for P01-37x120, Stroke max 160mm	0150-5138
		B01-37x166/160-GF	B-Guide for P01-37x120, Stroke max 160mm	0150-5141
→	Stator	PS01-37x120F-HP-C	Stator HP with IP67 Connector M23/9(m)	0150-1251
		PS01-37x120F-HP-C20	Stator HP, 0.2m Cable, IP67 St. M23/9(m)	0150-1252
→	Slider	PL01-19x395/320	Slider 'high clearance'	0150-1452

**BM01-37x120/260 | Bridge Module 37x120 with 260 mm Stroke <sup>1)</sup>**

→	B-Guide	B01-37x166/260	B-Guide for P01-37x120, Stroke max 260mm	0150-5139
		B01-37x166/260-GF	B-Guide for P01-37x120, Stroke max 260mm	0150-5142
→	Stator	PS01-37x120F-HP-C	Stator HP with IP67 Connector M23/9(m)	0150-1251
		PS01-37x120F-HP-C20	Stator HP, 0.2m Cable, IP67 St. M23/9(m)	0150-1252
→	Slider	PL01-19x500/420	Slider 'high clearance'	0150-1455

**BM01-37x120/360 | Bridge Module 37x120 with 360 mm Stroke <sup>1)</sup>**

→	B-Guide	B01-37x166/360	B-Guide for P01-37x120, Stroke max 360mm	0150-5140
		B01-37x166/360-GF	B-Guide for P01-37x120, Stroke max 360mm	0150-5143
→	Stator	PS01-37x120F-HP-C	Stator HP with IP67 Connector M23/9(m)	0150-1251
		PS01-37x120F-HP-C20	Stator HP, 0.2m Cable, IP67 St. M23/9(m)	0150-1252
→	Slider	PL01-19x600/520	Slider 'high clearance'	0150-1456

**Accessories**

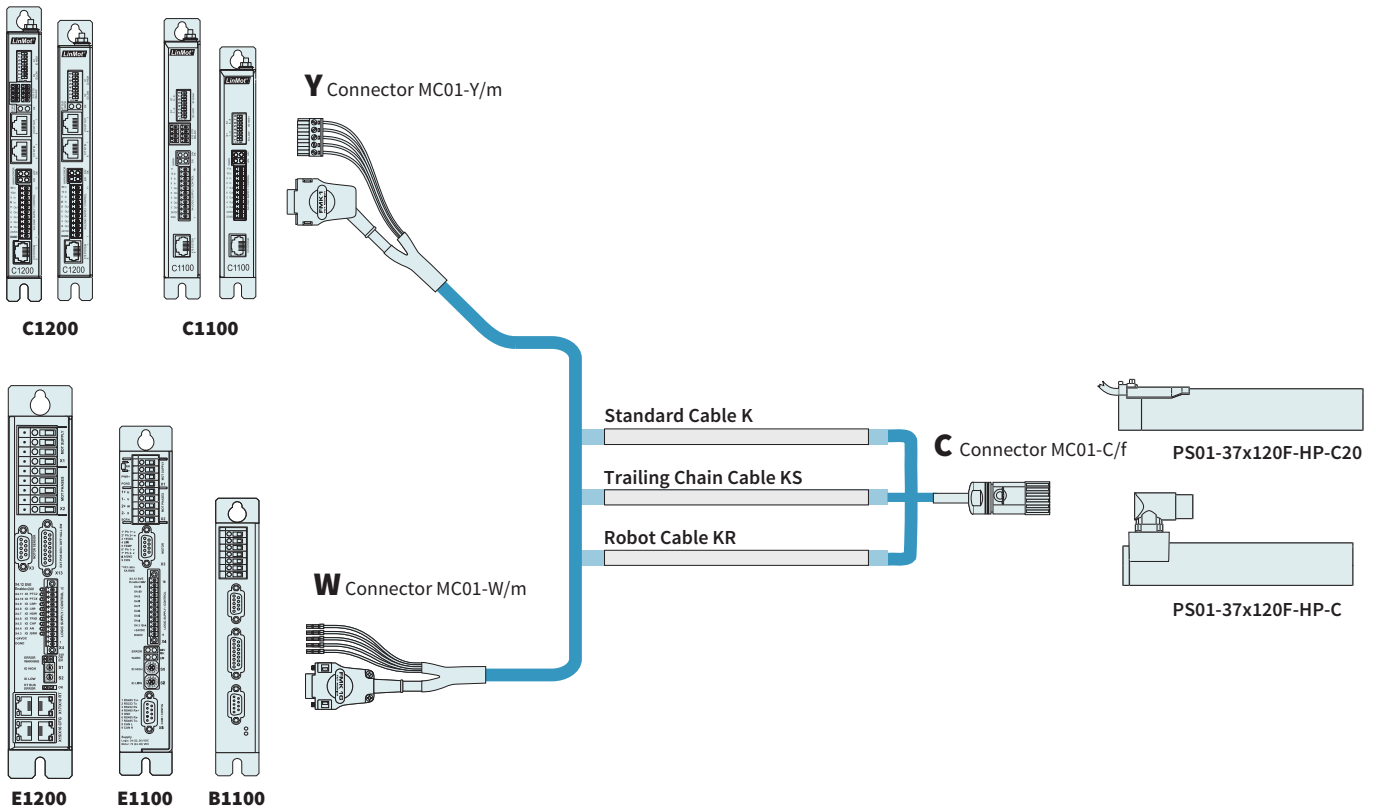
→	Brake	HB01-37	Pneumatic brake for H01-37 guides	0150-5052
→	Fan	HV01-37/48	Fan cooling for H01-37/48 & PF02-37/48	0150-5051
→	MagSpring	MF01-37/H37	Flange MagSpring 37 / H-Guide 23/37/48	0250-2307
		MA01-37/H37	Adapter MagSpring 37&20 / H-Guide 37	0250-0117
→	Centering sleeve	HC01-09/04	Centering sleeve D9x4 mm	0150-3251
→	Wipers	HA01-37/19-F	Wiper for H01-37 guides, front side	0150-5177

<sup>1)</sup> The stroke is reduced by 18mm when using cable models.

FIND MORE PRODUCT DETAILS IN THE CHAPTER "LINEAR GUIDES".

**Motor Cable**

3



**ORDERING INFORMATION**

STANDARD CABLE

Item	Description	Item-No.
<b>K05-W/C-2</b>	Motor Cable W/C, 2 m	0150-2123
<b>K05-W/C-4</b>	Motor Cable W/C, 4 m	0150-2124
<b>K05-W/C-6</b>	Motor Cable W/C, 6 m	0150-2125
<b>K05-W/C-8</b>	Motor Cable W/C, 8 m	0150-2126
<b>K05-W/C-</b>	Motor Cable W/C, Custom length	0150-3263
<b>K05-Y/C-2</b>	Motor Cable Y/R, 2 m	0150-2425
<b>K05-Y/C-4</b>	Motor Cable Y/R, 4 m	0150-2426
<b>K05-Y/C-6</b>	Motor Cable Y/R, 6 m	0150-2427
<b>K05-Y/C-8</b>	Motor Cable Y/R, 8 m	0150-2428
<b>K05-Y-Fe/C-</b>	Motor Cable Y-Fe/R, Custom length	0150-3502

## TRAILING CHAIN CABLE

Item	Description	Item-No.
<b>KS05-W/C-4</b>	Trailing Chain Cable W/C, 4 m	0150-2127
<b>KS05-W/C-6</b>	Trailing Chain Cable W/C, 6 m	0150-2128
<b>KS05-W/C-8</b>	Trailing Chain Cable W/C, 8 m	0150-2129
<b>KS05-W/C-</b>	Trailing Chain Cable W/C, Custom length	0150-3204
<b>KS05-Y/C-4</b>	Trailing Chain Cable Y/C, 4 m	0150-2436
<b>KS05-Y/C-6</b>	Trailing Chain Cable Y/C, 6 m	0150-2437
<b>KS05-Y/C-8</b>	Trailing Chain Cable Y/C, 8 m	0150-2438
<b>KS05-Y/C-</b>	Trailing Chain Cable Y-Fe/C, Custom length	0150-3508

## ROBOT CABLE

Item	Description	Item-No.
<b>KR05-W/C-</b>	Robot Cable KR05-W/C, Custom length	0150-3644
<b>KR05-Y-Fe/C-</b>	Robot Cable KR05-Y-Fe/C, Custom length	0150-3513

## CONNECTOR &amp; CABLE (INDIVIDUAL)

Item	Description	Item-No.
<b>MC01-W/m</b>	Motor Connector W/m	0150-3140
<b>MC01-Y-Fe/m</b>	Motor Connector Y-Fe/m	0150-3289
<b>MC01-C/f</b>	Motor Connector C/f	0150-3080
<b>MC01-P/f</b>	Motor Connector P/f	0150-3021
<b>K05-04/05</b>	Motor Cable per m	0150-1920
<b>KS05-04/05</b>	Trailing Chain Cable per m	0150-1938
<b>KR05-04/05</b>	Robot Cable per m	0150-1846

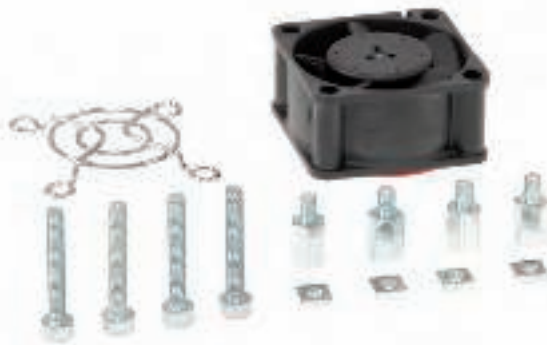
**MOTOR FLANGES**



Item	Description	Item-No.
<b>PF02-37x100</b>	Flange 37x100 mm	0150-1998
<b>PF02-37x140</b>	Flange 37x140 mm	0150-2105

FIND MORE PRODUCT DETAILS IN THE CHAPTER "ACCESSORIES".

**FANS**



Item	Description	Item-No.
<b>HV01-37/48</b>	Fan cooling for H01-37, B01-37 and PF02-37	0150-5051

FIND MORE PRODUCT DETAILS IN THE CHAPTER "ACCESSORIES".

**SLIDER MOUNTING**



Item	Description	Item-No.
<b>PLF01-20</b>	Fixed Bearing Set for 19mm and 20mm Slider	0150-3083
<b>PLF01-20-SS</b>	Fixed Bearing Set for 19mm and 20mm Slider, Stainless steel	0150-3296
<b>PLL01-19</b>	Floating Bearing for PL01-19 Slider	0150-3335
<b>PLL01-20</b>	Floating Bearing for PL01-20 Slider	0150-3084
<b>PLM01-20-MK</b>	Mounting Kit for PL01-20 Slider	0150-3079

FIND MORE PRODUCT DETAILS IN THE CHAPTER "ACCESSORIES".

**WIPERS**



Item	Description	Item-No.
<b>PA01-37/19-F</b>	Wipers for PS01-37x...	0150-3225
<b>PA01-37/19-R</b>	Wipers for PS01-37x...-C	0150-3226
<b>PA01-37/19-R cable</b>	Wipers for PS01-37x... Cable Type	0150-3227
<b>PA01-37/20-F</b>	Wipers for PS01-37x...	0150-3126
<b>PA01-37/20-R</b>	Wipers for PS01-37x...-C	0150-3201
<b>PA01-37/20-R cable</b>	Wipers for PS01-37x...-Cable Type	0150-3221

FIND MORE PRODUCT DETAILS IN THE CHAPTER "ACCESSORIES".

**EXTERNAL POSITION SENSORS**



Item	Description	Item-No.
<b>MS01-1/D</b>	Linear Encoder 1µm, A/B (for inc. strip)	0150-1840
<b>MB01-1000</b>	Magnetic incremental strip for MS01-1/D, per cm	0150-1963
<b>KS025-D/D-Encoder</b>	Encoder Cable (Length in m)	0150-3166
<b>KS025-D/D15-Encoder</b>	Encoder Cable (Length in m)	0150-3168

FIND MORE PRODUCT DETAILS IN THE CHAPTER "ACCESSORIES".

A series of horizontal dotted lines for taking notes.



## LINEAR MOTORS P01-37Sx120F-HP



- ✓ Short design
- ✓ Integrated mounting flange
- ✓ Pluggable motor cable with cover
- ✓ Free positionable cable outlet
- ✓ For use where space is limited and in multi-axis applications

## LINEAR MOTORS P01-37Sx120F-HP

**Technical Data** ..... **249**

### Motor Specifications

P01-37Sx120F/40x120-HP ..... **253**

P01-37Sx120F/100x180-HP ..... **254**

P01-37Sx120F/160x240-HP ..... **255**

P01-37Sx120F/200x280-HP ..... **256**

P01-37Sx120F/300x380-HP ..... **257**

P01-37Sx120F/400x480-HP ..... **258**

P01-37Sx120F/500x580-HP ..... **259**

P01-37Sx120F/600x680-HP ..... **260**

P01-37Sx120F/700x780-HP ..... **261**

P01-37Sx120F/800x880-HP ..... **262**

P01-37Sx120F/1000x1080-HP ..... **263**

P01-37Sx120F/1200x1280-HP ..... **264**

P01-37Sx120F/1400x1480-HP ..... **265**

**Accessories** ..... **266**



Cable outlet -90°

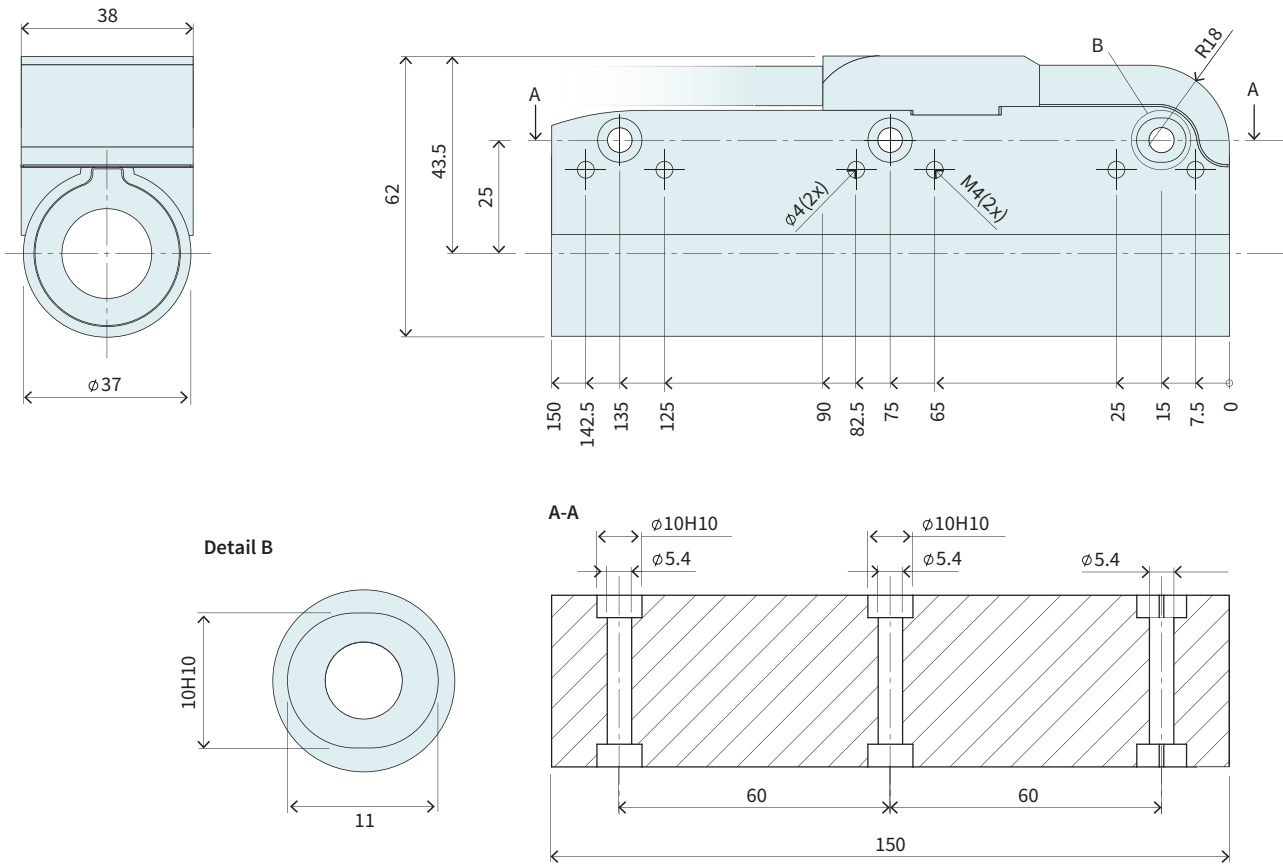
Cable outlet 0°

Cable outlet 90°

**MOTOR FAMILY P01-37Sx120F-HP**

Technical Data				
<b>Stroke</b>				
Standard Stroke (SS)	mm	(in)	≤ 1400	(≤ 55.1)
Extended Stroke (ES)	mm	(in)	≤ 1480	(≤ 58.3)
<b>Force</b>				
Max. Force @ 48VDC	N	(lbf)	255	(57.3)
Max. Force @ 72VDC	N	(lbf)	255	(57.3)
Max. Cont. Force [Passive cooling/ Fan / Fluid]	N	(lbf)	35 / 67 / -	(7.8 / 15 / -)
Max. Border Force relative			%	
			≤ 67	
Force Constant	N/A <sub>pk</sub>	(lbf/A <sub>pk</sub> )	17	(3.82)
<b>Velocity</b>				
Max. Velocity @ 48VDC	m/s	(in/s)	2.5	(99.9)
Max. Velocity @ 72VDC	m/s	(in/s)	3.8	(149.9)
<b>Position Detection</b>				
Position Resolution	mm	(in)	0.005	(0.0002)
Repeatability	mm	(in)	±0.05	(±0.002)
Position Resolution with ES	mm	(in)	0.001	(0.00004)
Repeatability with ES	mm	(in)	±0.01	(±0.0004)
Linearity with ES	mm	(in)	±0.01	(±0.0004)
<b>Electrical Data</b>				
Max. Current @ 48VDC	A <sub>pk</sub>		14.9	
Max. Current @ 72VDC	A <sub>pk</sub>		14.9	
Max. Cont. Current [Passive cooling / Fan / Fluid]	A <sub>pk</sub>		2.1 / 3.9 / -	
Terminal Resistance 25 °C / 120 °C	Ohm		2.4 / 3.5	
Terminal Inductivity	mH		1.6	
Magnetic Period	mm	(in)	40	(1.57)
<b>Thermal Data</b>				
Max. Winding Temperature (Sensor)	°C		120	
Thermal Resistance [Passive cooling / Fan / Fluid]	°K/W		5.5 / 1.5 / -	
Thermal Time Constant [Passive cooling / Fan / Fluid]	s		2200 / 600 / -	
<b>Mechanical Data</b>				
Stator Diameter	mm	(in)	37	(1.5)
Stator Length [Connector type / Cable type]	mm	(in)	150	(5.9)
Stator Mass	g	(lb)	800	(1.76)
Slider Diameter	mm	(in)	20	(0.79)
Slider Length	mm	(in)	240 - 1600	(9.4 - 63)
Slider Mass	g	(lb)	490 - 3620	(1.08 - 7.96)
IP Code			IP 50	

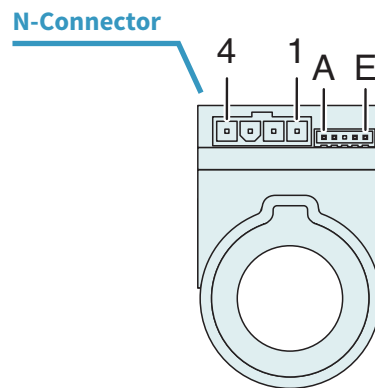
**STATOR**



Item	Description	Item-No.
PS01-37Sx120F-HP-N	Stator HP, Cable -90°, 0°, +90°	0150-1296

**CONNECTOR**

Motor Connector Wiring	N-Connector	Wire color motor cable
Phase 1+	Pin 4	red
Phase 1-	Pin 3	pink
Phase 2+	Pin 2	blue
Phase 2-	Pin 1	grey
+5V	Pin A	white
GND	Pin B	Inner Shield
Sensor Sin	Pin C	yellow
Sensor Cos	Pin D	green
Temp Sensor	Pin E	black
Housing		Outer Shield

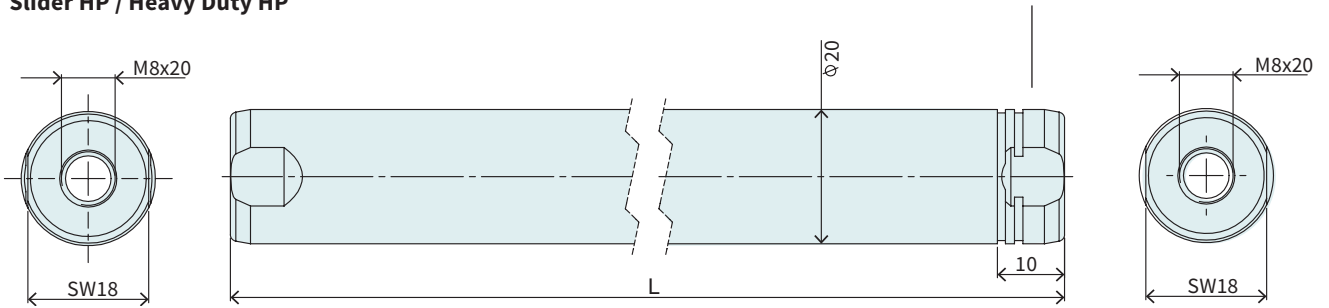


View: Motor Connector, plug side

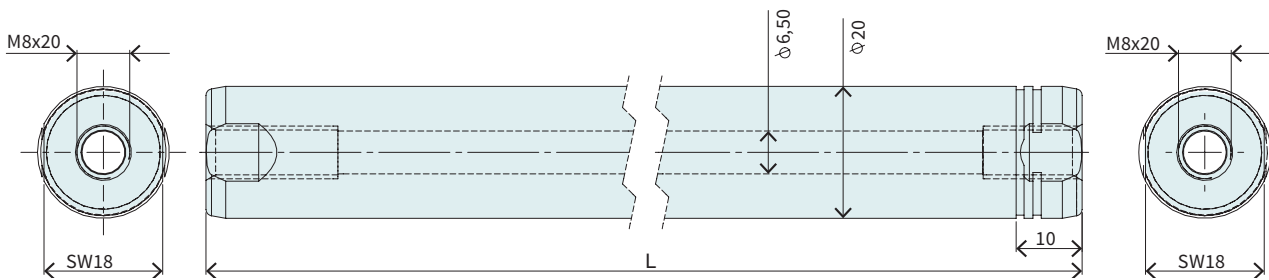
**SLIDER**

Number of grooves determines the slider type (see chapter 2 / slider) and marks the front end.

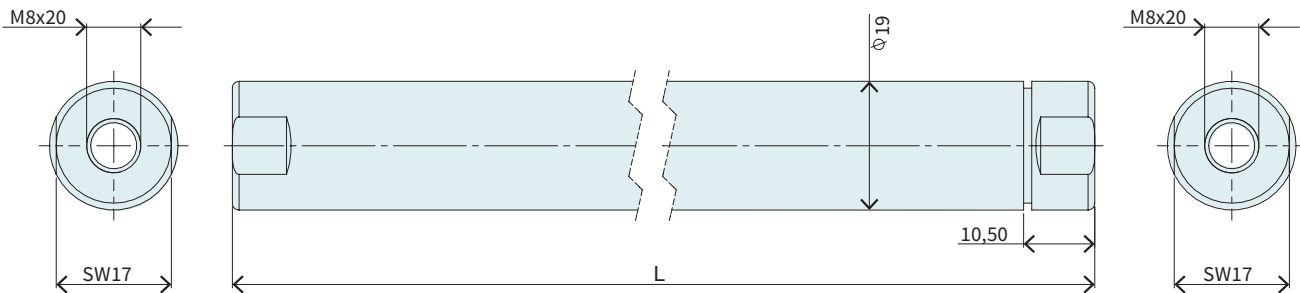
**Slider HP / Heavy Duty HP**



**Hollow slider HP**



**High-Clearance Slider**



Slider High Performance				
Item	Description	Max. Stroke [mm]	Standard Stroke [mm]	Item-No.
PL01-20x240/180-HP	Slider 'High Performance'	120	100	0150-1505
PL01-20x300/240-HP	Slider 'High Performance'	180	160	0150-1506
PL01-20x360/300-HP	Slider 'High Performance'	240	220	0150-1507
PL01-20x400/340-HP	Slider 'High Performance'	280	260	0150-1508
PL01-20x500/440-HP	Slider 'High Performance'	380	360	0150-1509
PL01-20x600/540-HP	Slider 'High Performance'	480	460	0150-1510
PL01-20x700/640-HP	Slider 'High Performance'	580	560	0150-1511
PL01-20x800/740-HP	Slider 'High Performance'	680	660	0150-1512
PL01-20x900/840-HP	Slider 'High Performance'	780	760	0150-1513
PL01-20x1000/940-HP	Slider 'High Performance'	880	860	0150-1514
PL01-20x1200/1140-HP	Slider 'High Performance'	1080	1060	0150-1515
PL01-20x1400/1340-HP	Slider 'High Performance'	1280	1260	0150-1516
PL01-20x1600/1540-HP	Slider 'High Performance'	1480	1460	0150-1517

## Slider Heavy Duty High Performance

Item	Description	Max. Stroke [mm]	Standard Stroke [mm]	Item-No.
PL02-20x240/180-HP	Slider 'heavy duty' 'High Performance'	120	100	0150-2162
PL02-20x300/240-HP	Slider 'heavy duty' 'High Performance'	180	160	0150-2163
PL02-20x360/300-HP	Slider 'heavy duty' 'High Performance'	240	220	0150-2164
PL02-20x400/340-HP	Slider 'heavy duty' 'High Performance'	280	260	0150-2165
PL02-20x500/440-HP	Slider 'heavy duty' 'High Performance'	380	360	0150-2166
PL02-20x600/540-HP	Slider 'heavy duty' 'High Performance'	480	460	0150-2167
PL02-20x700/640-HP	Slider 'heavy duty' 'High Performance'	580	560	0150-2168
PL02-20x800/740-HP	Slider 'heavy duty' 'High Performance'	680	660	0150-2169
PL02-20x900/840-HP	Slider 'heavy duty' 'High Performance'	780	760	0150-2170

## Hollow slider High Performance

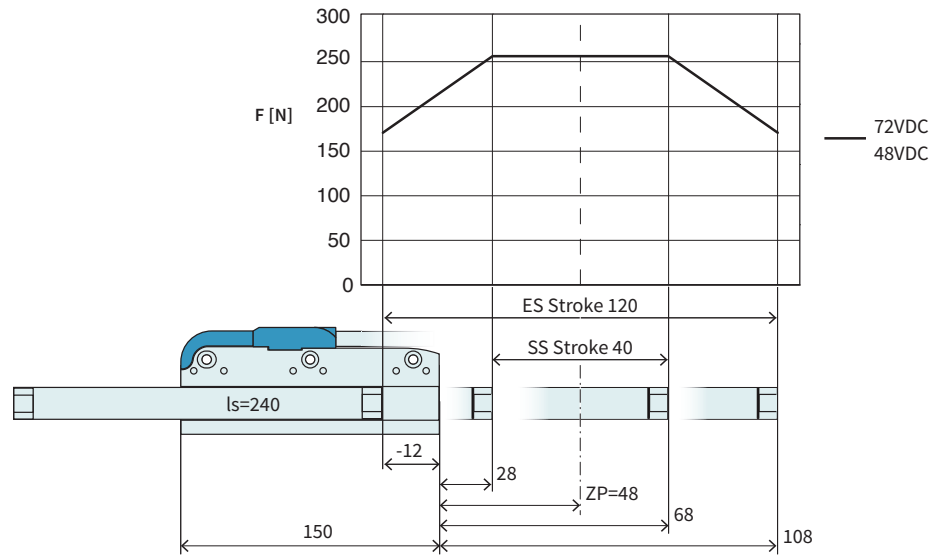
Item	Description	Max. Stroke [mm]	Standard Stroke [mm]	Item-No.
PL01-20x240/180-HP-L	Slider 'High Performance L'	120	100	0150-2540
PL01-20x300/240-HP-L	Slider 'High Performance L'	180	160	0150-3696
PL01-20x360/300-HP-L	Slider 'High Performance L'	240	220	0150-1537
PL01-20x400/340-HP-L	Slider 'High Performance L'	280	260	0150-3697
PL01-20x500/440-HP-L	Slider 'High Performance L'	380	360	0150-3698
PL01-20x600/540-HP-L	Slider 'High Performance L'	480	460	0150-3699
PL01-20x700/640-HP-L	Slider 'High Performance L'	580	560	0150-3700
PL01-20x800/740-HP-L	Slider 'High Performance L'	680	660	0150-3701
PL01-20x900/840-HP-L	Slider 'High Performance L'	780	760	0150-3702
PL01-20x1000/940-HP-L	Slider 'High Performance L'	880	860	0150-3703
PL01-20x1200/1140-HP-L	Slider 'High Performance L'	1080	1060	0150-2510
PL01-20x1400/1340-HP-L	Slider 'High Performance L'	1280	1260	on request
PL01-20x1600/1540-HP-L	Slider 'High Performance L'	1480	1460	on request

## High-Clearance Slider

Item	Description	Max. Stroke [mm]	Standard Stroke [mm]	Item-No.
PL01-19x240/160	Slider 'high clearance'	100	80	0150-1448
PL01-19x300/220	Slider 'high clearance'	160	140	0150-1449
PL01-19x395/320	Slider 'high clearance'	260	240	0150-1452
PL01-19x500/420	Slider 'high clearance'	360	340	0150-1455
PL01-19x600/520	Slider 'high clearance'	460	440	0150-1456
PL01-19x700/620	Slider 'high clearance'	560	540	0150-1457

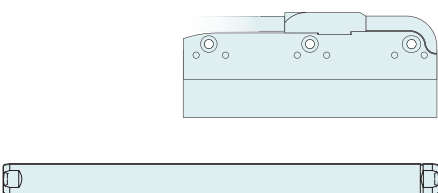
**P01-37Sx120F/40x120-HP**

**Max. Stroke:** 120 mm  
**Peak Force:** 255 N



Dimensions in mm

Technical Data P01-37Sx120F/40x120-HP			
<b>Stroke</b>			
Standard Stroke (SS)	mm (in)	40	(1.57)
Extended Stroke (ES)	mm (in)	120	(4.71)
<b>Force</b>			
Max. Force @ 48VDC	N (lbf)	255	(57.3)
Max. Force @ 72VDC	N (lbf)	255	(57.3)
Max. Cont. Force [Passive cooling / Fan / Fluid]	N (lbf)	35 / 67 / -	(7.8 / 15 / -)
Max. Border Force relative	%	67	
Force Constant	N/A <sub>pk</sub> (lbf/A <sub>pk</sub> )	17	(3.82)
<b>Velocity</b>			
Max. Velocity @ 48VDC	m/s (in/s)	2.5	(99.9)
Max. Velocity @ 72VDC	m/s (in/s)	3.8	(149.9)
<b>Position Detection</b>			
Repeatability	mm (in)	±0.05	(±0.002)
Linearity	%	± 0.5	
<b>Electrical Data</b>			
Max. Current @ 48VDC	A <sub>pk</sub>	14.9	
Max. Current @ 72VDC	A <sub>pk</sub>	14.9	
Max. Cont. Current [Passive cooling / Fan / Fluid]	A <sub>pk</sub>	2.1 / 3.9 / -	
<b>Thermal Data</b>			
Max. Winding Temperature (Sensor)	°C	120	
Thermal Resistance [Passive cooling / Fan / Fluid]	°K/W	5.5 / 1.5 / -	
Thermal Time Constant [Passive cooling / Fan / Fluid]	s	2200 / 600 / -	
<b>Mechanical Data</b>			
Slider Length	mm (in)	240	(9.4)
Slider Mass	g (lb)	490	(1.08)

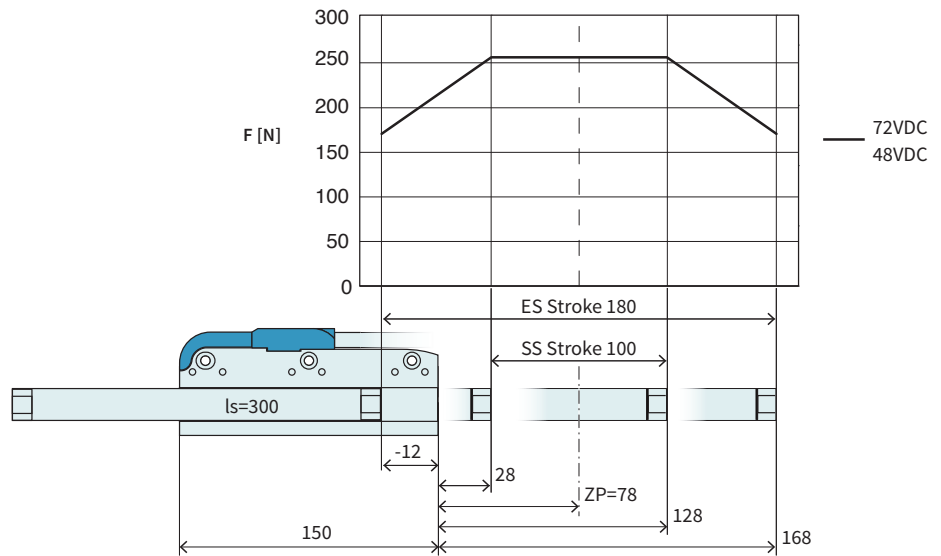


Item	Description	Item-No.
<b>PS01-37Sx120F-HP-N</b>	Stator HP, Cable -90°, 0°, +90°	0150-1296
<b>PL01-20x240/180-HP</b>	Slider 'High Performance'	0150-1505
<b>PL02-20x240/180-HP</b>	Slider 'heavy duty' 'High Performance'	0150-2162
<b>PL01-20x240/180-HP-L*</b>	Slider 'High Performance L'	0150-2540
<b>PL01-19x240/160*</b>	Slider 'high clearance'	0150-1448

\* With this slider, the motor specifications above change.

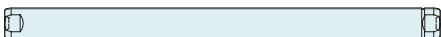
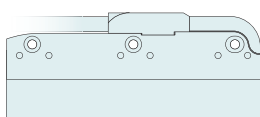
**P01-37Sx120F/100x180-HP**

**Max. Stroke:** 180 mm  
**Peak Force:** 255 N



Dimensions in mm

Technical Data P01-37Sx120F/100x180-HP			
<b>Stroke</b>			
Standard Stroke (SS)	mm (in)		100 (3.93)
Extended Stroke (ES)	mm (in)		180 (7.08)
<b>Force</b>			
Max. Force @ 48VDC	N (lbf)		255 (57.3)
Max. Force @ 72VDC	N (lbf)		255 (57.3)
Max. Cont. Force [Passive cooling / Fan / Fluid]	N (lbf)		35 / 67 / - (7.8 / 15 / -)
Max. Border Force relative	%		67
Force Constant	N/A <sub>pk</sub> (lbf/A <sub>pk</sub> )		17 (3.82)
<b>Velocity</b>			
Max. Velocity @ 48VDC	m/s (in/s)		2.5 (99.9)
Max. Velocity @ 72VDC	m/s (in/s)		3.8 (149.9)
<b>Position Detection</b>			
Repeatability	mm (in)		±0.05 (±0.002)
Linearity	%		± 0.4
<b>Electrical Data</b>			
Max. Current @ 48VDC	A <sub>pk</sub>		14.9
Max. Current @ 72VDC	A <sub>pk</sub>		14.9
Max. Cont. Current [Passive cooling / Fan / Fluid]	A <sub>pk</sub>		2.1 / 3.9 / -
<b>Thermal Data</b>			
Max. Winding Temperature (Sensor)	°C		120
Thermal Resistance [Passive cooling / Fan / Fluid]	°K/W		5.5 / 1.5 / -
Thermal Time Constant [Passive cooling / Fan / Fluid]	s		2200 / 600 / -
<b>Mechanical Data</b>			
Slider Length	mm (in)		300 (12)
Slider Mass	g (lb)		630 (1.39)



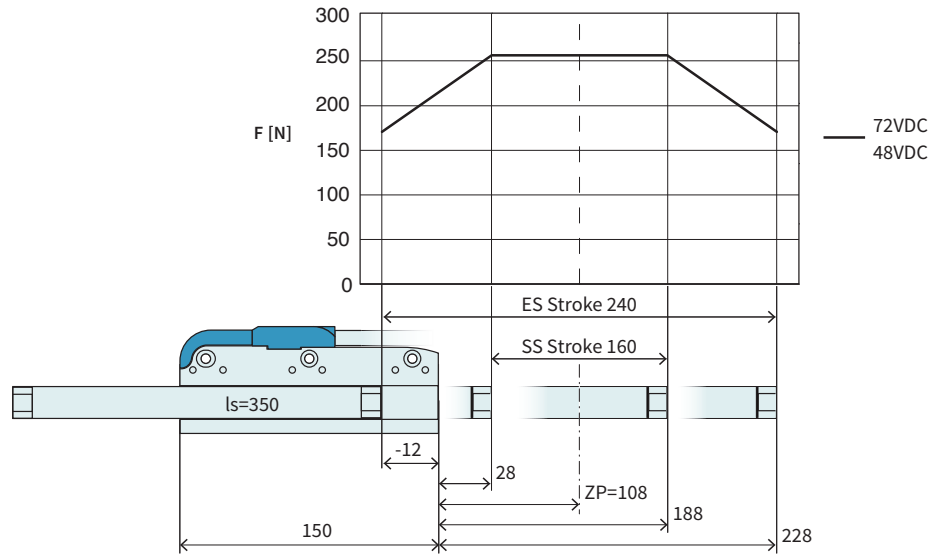
Item	Description	Item-No.
<b>PS01-37Sx120F-HP-N</b>	Stator HP, Cable -90°, 0°, +90°	0150-1296
<b>PL01-20x300/240-HP</b>	Slider 'High Performance'	0150-1506
<b>PL02-20x300/240-HP</b>	Slider 'heavy duty' 'High Performance'	0150-2163
<b>PL01-20x300/240-HP-L*</b>	Slider 'High Performance L'	0150-3696
<b>PL01-19x300/220*</b>	Slider 'high clearance'	0150-1449

\* With this slider, the motor specifications above change.



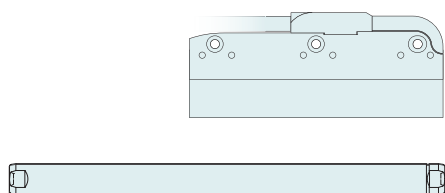
**P01-37Sx120F/160x240-HP**

**Max. Stroke:** 240 mm  
**Peak Force:** 255 N



Dimensions in mm

Technical Data P01-37Sx120F/160x240-HP			
<b>Stroke</b>			
Standard Stroke (SS)	mm (in)	160 (6.29)	
Extended Stroke (ES)	mm (in)	240 (9.44)	
<b>Force</b>			
Max. Force @ 48VDC	N (lbf)	255 (57.3)	
Max. Force @ 72VDC	N (lbf)	255 (57.3)	
Max. Cont. Force [Passive cooling / Fan / Fluid]	N (lbf)	35 / 67 / - (7.8 / 15 / -)	
Max. Border Force relative	%	67	
Force Constant	N/A <sub>pk</sub> (lbf/A <sub>pk</sub> )	17 (3.82)	
<b>Velocity</b>			
Max. Velocity @ 48VDC	m/s (in/s)	2.5 (99.9)	
Max. Velocity @ 72VDC	m/s (in/s)	3.8 (149.9)	
<b>Position Detection</b>			
Repeatability	mm (in)	±0.05 (±0.002)	
Linearity	%	± 0.3	
<b>Electrical Data</b>			
Max. Current @ 48VDC	A <sub>pk</sub>	14.9	
Max. Current @ 72VDC	A <sub>pk</sub>	14.9	
Max. Cont. Current [Passive cooling / Fan / Fluid]	A <sub>pk</sub>	2.1 / 3.9 / -	
<b>Thermal Data</b>			
Max. Winding Temperature (Sensor)	°C	120	
Thermal Resistance [Passive cooling / Fan / Fluid]	°K/W	5.5 / 1.5 / -	
Thermal Time Constant [Passive cooling / Fan / Fluid]	s	2200 / 600 / -	
<b>Mechanical Data</b>			
Slider Length	mm (in)	360 (14)	
Slider Mass	g (lb)	760 (1.67)	

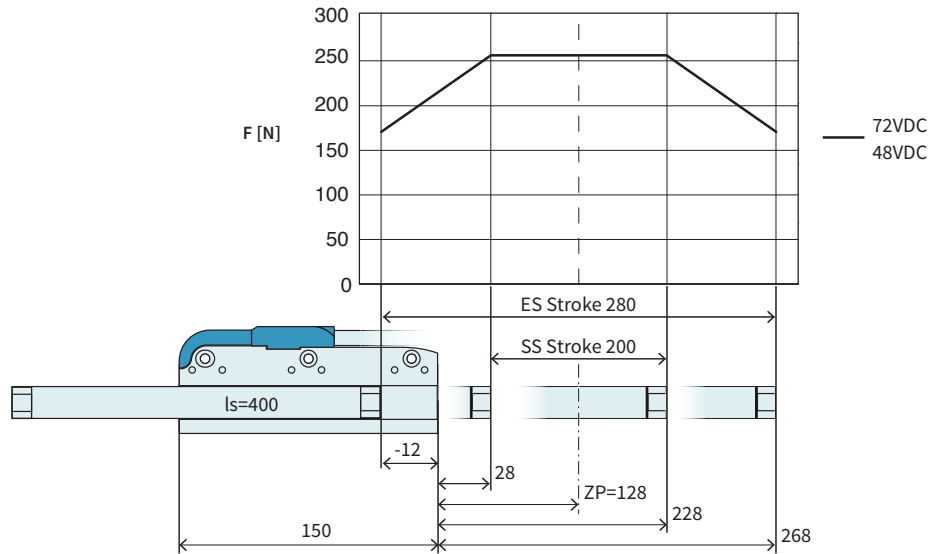


Item	Description	Item-No.
<b>PS01-37Sx120F-HP-N</b>	Stator HP, Cable -90°, 0°, +90°	0150-1296
<b>PL01-20x360/300-HP</b>	Slider 'High Performance'	0150-1507
<b>PL02-20x360/300-HP</b>	Slider 'heavy duty' 'High Performance'	0150-2164
<b>PL01-20x360/300-HP-L*</b>	Slider 'High Performance L'	0150-1537

\* With this slider, the motor specifications above change.

**P01-37Sx120F/200x280-HP**

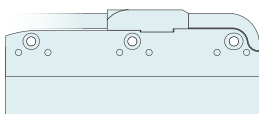
**Max. Stroke:** 280 mm  
**Peak Force:** 255 N



Dimensions in mm

Technical Data P01-37Sx120F/200x280-HP

Stroke			
Standard Stroke (SS)	mm (in)	200	(7.86)
Extended Stroke (ES)	mm (in)	280	(10.99)
Force			
Max. Force @ 48VDC	N (lbf)	255	(57.3)
Max. Force @ 72VDC	N (lbf)	255	(57.3)
Max. Cont. Force [Passive cooling / Fan / Fluid]	N (lbf)	35 / 67 / -	(7.8 / 15 / -)
Max. Border Force relative	%	67	
Force Constant	N/A <sub>pk</sub> (lbf/A <sub>pk</sub> )	17	(3.82)
Velocity			
Max. Velocity @ 48VDC	m/s (in/s)	2.5	(99.9)
Max. Velocity @ 72VDC	m/s (in/s)	3.8	(149.9)
Position Detection			
Repeatability	mm (in)	±0.05	(±0.002)
Linearity	%	± 0.3	
Electrical Data			
Max. Current @ 48VDC	A <sub>pk</sub>	14.9	
Max. Current @ 72VDC	A <sub>pk</sub>	14.9	
Max. Cont. Current [Passive cooling / Fan / Fluid]	A <sub>pk</sub>	2.1 / 3.9 / -	
Thermal Data			
Max. Winding Temperature (Sensor)	°C	120	
Thermal Resistance [Passive cooling / Fan / Fluid]	°K/W	5.5 / 1.5 / -	
Thermal Time Constant [Passive cooling / Fan / Fluid]	s	2200 / 600 / -	
Mechanical Data			
Slider Length	mm (in)	400	(16)
Slider Mass	g (lb)	860	(1.9)

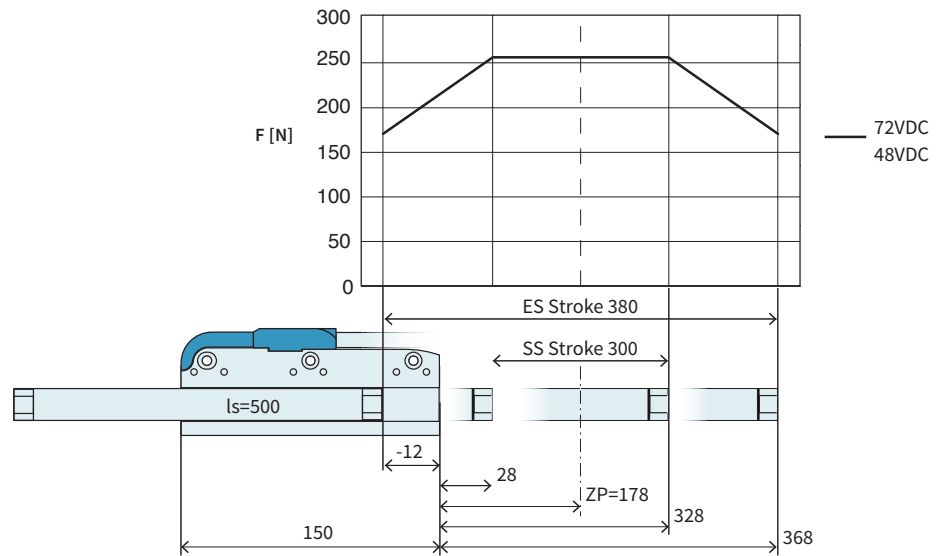


Item	Description	Item-No.
<b>PS01-37Sx120F-HP-N</b>	Stator HP, Cable -90°, 0°, +90°	0150-1296
<b>PL01-20x400/340-HP</b>	Slider 'High Performance'	0150-1508
<b>PL02-20x400/340-HP</b>	Slider 'heavy duty' 'High Performance'	0150-2165
<b>PL01-20x400/340-HP-L*</b>	Slider 'High Performance L'	0150-3697
<b>PL01-19x395/320*</b>	Slider 'high clearance'	0150-1452

\* With this slider, the motor specifications above change.

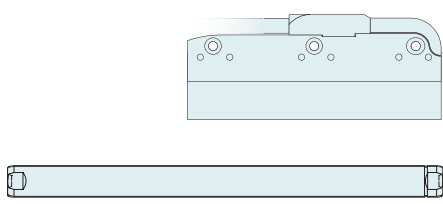
**P01-37Sx120F/300x380-HP**

**Max. Stroke:** 380 mm  
**Peak Force:** 255 N



Dimensions in mm

Technical Data P01-37Sx120F/300x380-HP				
<b>Stroke</b>				
Standard Stroke (SS)	mm (in)		300 (11.8)	
Extended Stroke (ES)	mm (in)		380 (14.99)	
<b>Force</b>				
Max. Force @ 48VDC	N (lbf)		255 (57.3)	
Max. Force @ 72VDC	N (lbf)		255 (57.3)	
Max. Cont. Force [Passive cooling / Fan / Fluid]	N (lbf)		35 / 67 / - (7.8 / 15 / -)	
Max. Border Force relative	%		67	
Force Constant	N/A <sub>pk</sub> (lbf/A <sub>pk</sub> )		17 (3.82)	
<b>Velocity</b>				
Max. Velocity @ 48VDC	m/s (in/s)		2.5 (99.9)	
Max. Velocity @ 72VDC	m/s (in/s)		3.8 (149.9)	
<b>Position Detection</b>				
Repeatability	mm (in)		±0.05 (±0.002)	
Linearity	%		± 0.25	
<b>Electrical Data</b>				
Max. Current @ 48VDC	A <sub>pk</sub>		14.9	
Max. Current @ 72VDC	A <sub>pk</sub>		14.9	
Max. Cont. Current [Passive cooling / Fan / Fluid]	A <sub>pk</sub>		2.1 / 3.9 / -	
<b>Thermal Data</b>				
Max. Winding Temperature (Sensor)	°C		120	
Thermal Resistance [Passive cooling / Fan / Fluid]	°K/W		5.5 / 1.5 / -	
Thermal Time Constant [Passive cooling / Fan / Fluid]	s		2200 / 600 / -	
<b>Mechanical Data</b>				
Slider Length	mm (in)		500 (20)	
Slider Mass	g (lb)		1090 (2.4)	

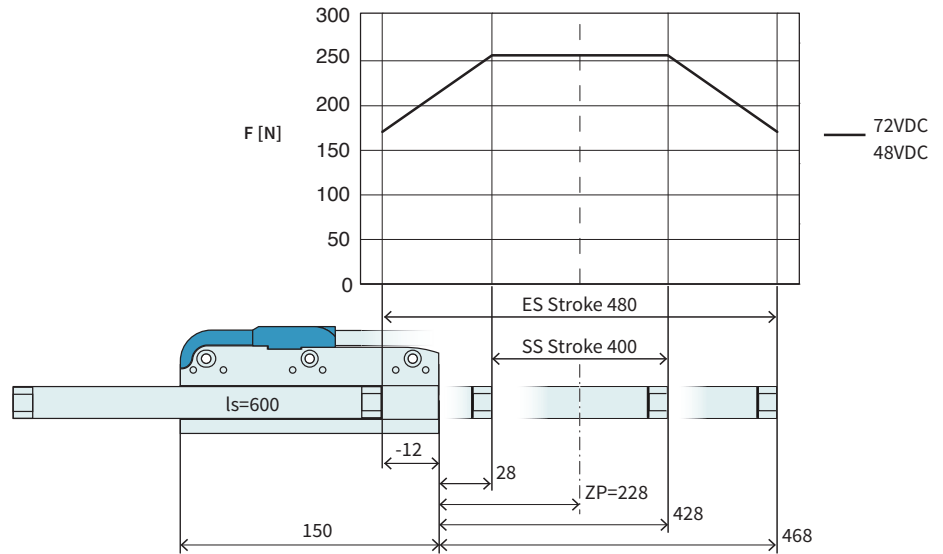


Item	Description	Item-No.
<b>PS01-37Sx120F-HP-N</b>	Stator HP, Cable -90°, 0°, +90°	0150-1296
<b>PL01-20x500/440-HP</b>	Slider 'High Performance'	0150-1509
<b>PL02-20x500/440-HP</b>	Slider 'heavy duty' 'High Performance'	0150-2166
<b>PL01-20x500/440-HP-L*</b>	Slider 'High Performance L'	0150-3698
<b>PL01-19x500/420*</b>	Slider 'high clearance'	0150-1455

\* With this slider, the motor specifications above change.

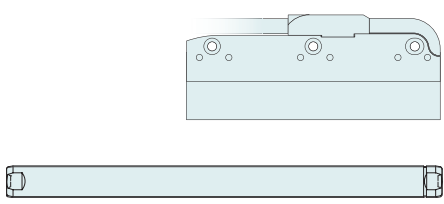
**P01-37Sx120F/400x480-HP**

**Max. Stroke:** 480 mm  
**Peak Force:** 255 N



Dimensions in mm

Technical Data P01-37Sx120F/400x480-HP			
<b>Stroke</b>			
Standard Stroke (SS)	mm (in)		400 (15.69)
Extended Stroke (ES)	mm (in)		480 (18.89)
<b>Force</b>			
Max. Force @ 48VDC	N (lbf)		255 (57.3)
Max. Force @ 72VDC	N (lbf)		255 (57.3)
Max. Cont. Force [Passive cooling/ Fan / Fluid]	N (lbf)		35 / 67 / - (7.8 / 15 / -)
Max. Border Force relative	%		67
Force Constant	N/A <sub>pk</sub> (lbf/A <sub>pk</sub> )		17 (3.82)
<b>Velocity</b>			
Max. Velocity @ 48VDC	m/s (in/s)		2.5 (99.9)
Max. Velocity @ 72VDC	m/s (in/s)		3.8 (149.9)
<b>Position Detection</b>			
Repeatability	mm (in)		±0.05 (±0.002)
Linearity	%		± 0.2
<b>Electrical Data</b>			
Max. Current @ 48VDC	A <sub>pk</sub>		14.9
Max. Current @ 72VDC	A <sub>pk</sub>		14.9
Max. Cont. Current [Passive cooling/ Fan / Fluid]	A <sub>pk</sub>		2.1 / 3.9 / -
<b>Thermal Data</b>			
Max. Winding Temperature (Sensor)	°C		120
Thermal Resistance [Passive cooling / Fan / Fluid]	°K/W		5.5 / 1.5 / -
Thermal Time Constant [Passive cooling / Fan / Fluid]	s		2200 / 600 / -
<b>Mechanical Data</b>			
Slider Length	mm (in)		600 (24)
Slider Mass	g (lb)		1330 (2.93)

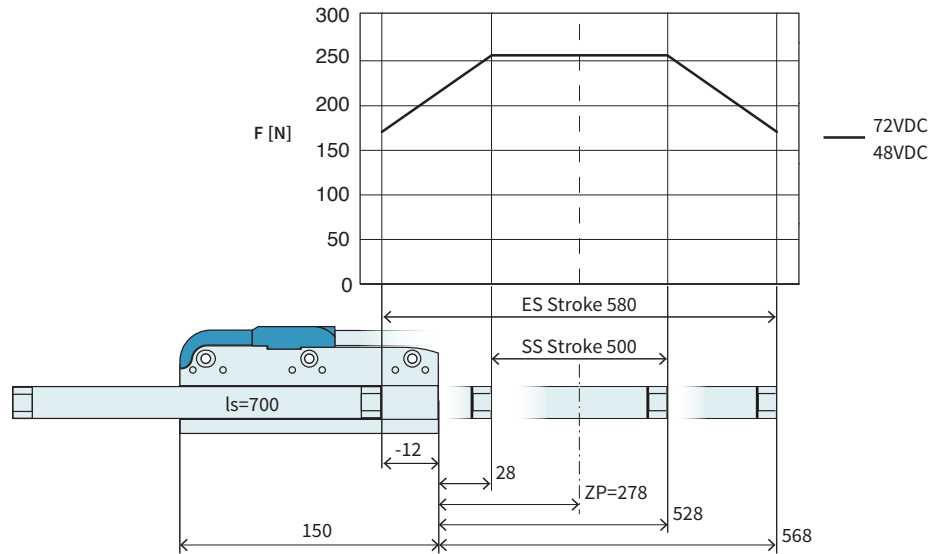


Item	Description	Item-No.
<b>PS01-37Sx120F-HP-N</b>	Stator HP, Cable -90°, 0°, +90°	0150-1296
<b>PL01-20x600/540-HP</b>	Slider 'High Performance'	0150-1510
<b>PL02-20x600/540-HP</b>	Slider 'heavy duty' 'High Performance'	0150-2167
<b>PL01-20x600/540-HP-L*</b>	Slider 'High Performance L'	0150-3699
<b>PL01-19x600/520*</b>	Slider 'high clearance'	0150-1456

\* With this slider, the motor specifications above change.

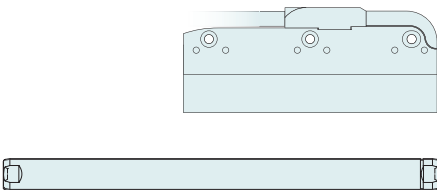
**P01-37Sx120F/500x580-HP**

**Max. Stroke:** 580 mm  
**Peak Force:** 255 N



Dimensions in mm

Technical Data P01-37Sx120F/500x580-HP			
<b>Stroke</b>			
Standard Stroke (SS)	mm (in)	500 (19.69)	
Extended Stroke (ES)	mm (in)	580 (22.8)	
<b>Force</b>			
Max. Force @ 48VDC	N (lbf)	255 (57.3)	
Max. Force @ 72VDC	N (lbf)	255 (57.3)	
Max. Cont. Force [Passive cooling / Fan / Fluid]	N (lbf)	35 / 67 / - (7.8 / 15 / -)	
Max. Border Force relative	%	67	
Force Constant	N/A <sub>pk</sub> (lbf/A <sub>pk</sub> )	17 (3.82)	
<b>Velocity</b>			
Max. Velocity @ 48VDC	m/s (in/s)	2.5 (99.9)	
Max. Velocity @ 72VDC	m/s (in/s)	3.8 (149.9)	
<b>Position Detection</b>			
Repeatability	mm (in)	±0.05 (±0.002)	
Linearity	%	± 0.2	
<b>Electrical Data</b>			
Max. Current @ 48VDC	A <sub>pk</sub>	14.9	
Max. Current @ 72VDC	A <sub>pk</sub>	14.9	
Max. Cont. Current [Passive cooling / Fan / Fluid]	A <sub>pk</sub>	2.1 / 3.9 / -	
<b>Thermal Data</b>			
Max. Winding Temperature (Sensor)	°C	120	
Thermal Resistance [Passive cooling / Fan / Fluid]	°K/W	5.5 / 1.5 / -	
Thermal Time Constant [Passive cooling / Fan / Fluid]	s	2200 / 600 / -	
<b>Mechanical Data</b>			
Slider Length	mm (in)	700 (28)	
Slider Mass	g (lb)	1560 (3.43)	

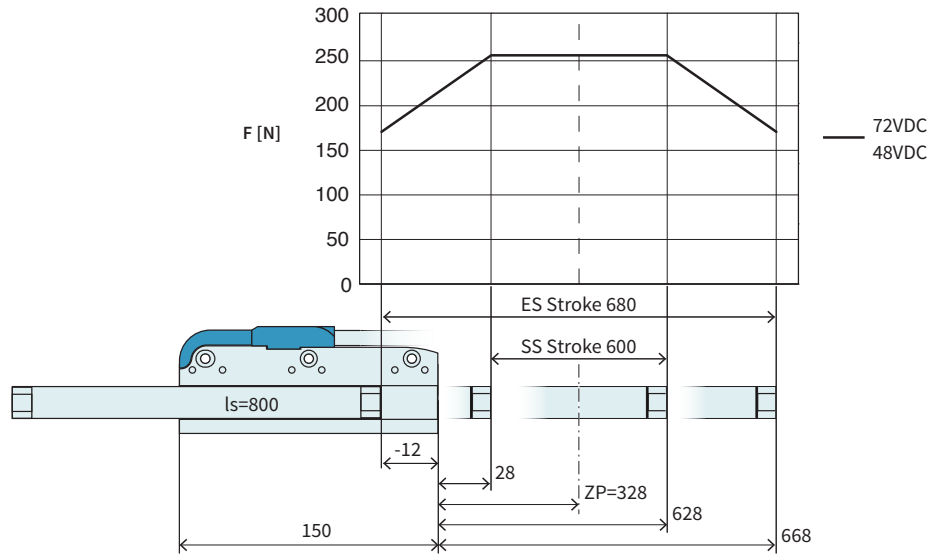


Item	Description	Item-No.
<b>PS01-37Sx120F-HP-N</b>	Stator HP, Cable -90°, 0°, +90°	0150-1296
<b>PL01-20x700/640-HP</b>	Slider 'High Performance'	0150-1511
<b>PL02-20x700/640-HP</b>	Slider 'heavy duty' 'High Performance'	0150-2168
<b>PL01-20x700/640-HP-L*</b>	Slider 'High Performance L'	0150-3700
<b>PL01-19x700/620*</b>	Slider 'high clearance'	0150-1457

\* With this slider, the motor specifications above change.

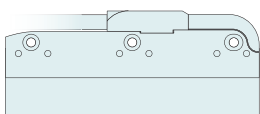
**P01-37Sx120F/600x680-HP**

**Max. Stroke:** 680 mm  
**Peak Force:** 255 N



Dimensions in mm

Technical Data P01-37Sx120F/600x680-HP			
<b>Stroke</b>			
Standard Stroke (SS)	mm (in)		600 (23.6)
Extended Stroke (ES)	mm (in)		680 (26.8)
<b>Force</b>			
Max. Force @ 48VDC	N (lbf)		255 (57.3)
Max. Force @ 72VDC	N (lbf)		255 (57.3)
Max. Cont. Force [Passive cooling/ Fan / Fluid]	N (lbf)		35 / 67 / - (7.8 / 15 / -)
Max. Border Force relative	%		67
Force Constant	N/A <sub>pk</sub> (lbf/A <sub>pk</sub> )		17 (3.82)
<b>Velocity</b>			
Max. Velocity @ 48VDC	m/s (in/s)		2.5 (99.9)
Max. Velocity @ 72VDC	m/s (in/s)		3.8 (149.9)
<b>Position Detection</b>			
Repeatability	mm (in)		±0.05 (±0.002)
Linearity	%		± 0.15
<b>Electrical Data</b>			
Max. Current @ 48VDC	A <sub>pk</sub>		14.9
Max. Current @ 72VDC	A <sub>pk</sub>		14.9
Max. Cont. Current [Passive cooling/ Fan / Fluid]	A <sub>pk</sub>		2.1 / 3.9 / -
<b>Thermal Data</b>			
Max. Winding Temperature (Sensor)	°C		120
Thermal Resistance [Passive cooling / Fan / Fluid]	°K/W		5.5 / 1.5 / -
Thermal Time Constant [Passive cooling / Fan / Fluid]	s		2200 / 600 / -
<b>Mechanical Data</b>			
Slider Length	mm (in)		800 (31)
Slider Mass	g (lb)		1790 (3.94)

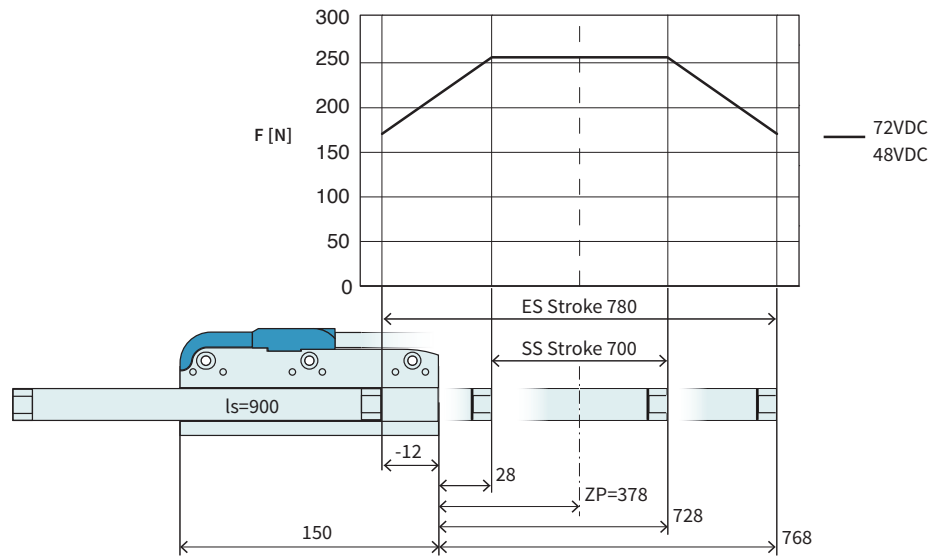


Item	Description	Item-No.
<b>PS01-37Sx120F-HP-N</b>	Stator HP, Cable -90°, 0°, +90°	0150-1296
<b>PL01-20x800/740-HP</b>	Slider 'High Performance'	0150-1512
<b>PL02-20x800/740-HP</b>	Slider 'heavy duty' 'High Performance'	0150-2169
<b>PL01-20x800/740-HP-L*</b>	Slider 'High Performance L'	0150-3701

\* With this slider, the motor specifications above change.

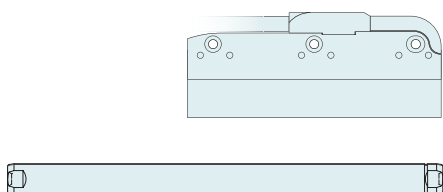
**P01-37Sx120F/700x780-HP**

**Max. Stroke:** 780 mm  
**Peak Force:** 255 N



Dimensions in mm

Technical Data P01-37Sx120F/700x780-HP				
<b>Stroke</b>				
Standard Stroke (SS)	mm (in)		700	(27.6)
Extended Stroke (ES)	mm (in)		780	(30.69)
<b>Force</b>				
Max. Force @ 48VDC	N (lbf)		255	(57.3)
Max. Force @ 72VDC	N (lbf)		255	(57.3)
Max. Cont. Force [Passive cooling / Fan / Fluid]	N (lbf)		35 / 67 / -	(7.8 / 15 / -)
Max. Border Force relative	%		67	
Force Constant	N/A <sub>pk</sub> (lbf/A <sub>pk</sub> )		17	(3.82)
<b>Velocity</b>				
Max. Velocity @ 48VDC	m/s (in/s)		2.5	(99.9)
Max. Velocity @ 72VDC	m/s (in/s)		3.8	(149.9)
<b>Position Detection</b>				
Repeatability	mm (in)		±0.05	(±0.002)
Linearity	%		± 0.15	
<b>Electrical Data</b>				
Max. Current @ 48VDC	A <sub>pk</sub>		14.9	
Max. Current @ 72VDC	A <sub>pk</sub>		14.9	
Max. Cont. Current [Passive cooling / Fan / Fluid]	A <sub>pk</sub>		2.1 / 3.9 / -	
<b>Thermal Data</b>				
Max. Winding Temperature (Sensor)	°C		120	
Thermal Resistance [Passive cooling / Fan / Fluid]	°K/W		5.5 / 1.5 / -	
Thermal Time Constant [Passive cooling / Fan / Fluid]	s		2200 / 600 / -	
<b>Mechanical Data</b>				
Slider Length	mm (in)		900	(35)
Slider Mass	g (lb)		2020	(4.44)

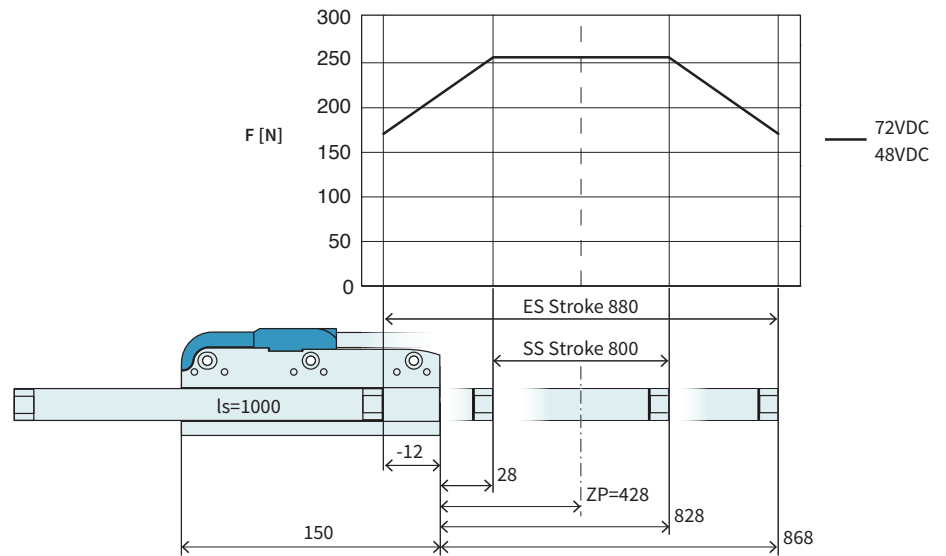


Item	Description	Item-No.
<b>PS01-37Sx120F-HP-N</b>	Stator HP, Cable -90°, 0°, +90°	0150-1296
<b>PL01-20x900/840-HP</b>	Slider 'High Performance'	0150-1513
<b>PL02-20x900/840-HP</b>	Slider 'heavy duty' 'High Performance'	0150-2170
<b>PL01-20x900/840-HP-L*</b>	Slider 'High Performance L'	0150-3702

\* With this slider, the motor specifications above change.

**P01-37Sx120F/800x880-HP**

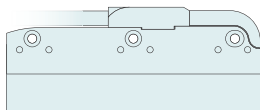
**Max. Stroke:** 880 mm  
**Peak Force:** 255 N



Dimensions in mm

**Technical Data P01-37Sx120F/800x880-HP**

Stroke			
Standard Stroke (SS)	mm (in)	800	(31.49)
Extended Stroke (ES)	mm (in)	880	(34.6)
Force			
Max. Force @ 48VDC	N (lbf)	255	(57.3)
Max. Force @ 72VDC	N (lbf)	255	(57.3)
Max. Cont. Force [Passive cooling / Fan / Fluid]	N (lbf)	35 / 67 / -	(7.8 / 15 / -)
Max. Border Force relative	%	67	
Force Constant	N/A <sub>pk</sub> (lbf/A <sub>pk</sub> )	17	(3.82)
Velocity			
Max. Velocity @ 48VDC	m/s (in/s)	2.5	(99.9)
Max. Velocity @ 72VDC	m/s (in/s)	3.8	(149.9)
Position Detection			
Repeatability	mm (in)	±0.05	(±0.002)
Linearity	%	± 0.15	
Electrical Data			
Max. Current @ 48VDC	A <sub>pk</sub>	14.9	
Max. Current @ 72VDC	A <sub>pk</sub>	14.9	
Max. Cont. Current [Passive cooling / Fan / Fluid]	A <sub>pk</sub>	2.1 / 3.9 / -	
Thermal Data			
Max. Winding Temperature (Sensor)	°C	120	
Thermal Resistance [Passive cooling / Fan / Fluid]	°K/W	5.5 / 1.5 / -	
Thermal Time Constant [Passive cooling / Fan / Fluid]	s	2200 / 600 / -	
Mechanical Data			
Slider Length	mm (in)	1000	(39)
Slider Mass	g (lb)	2230	(4.91)



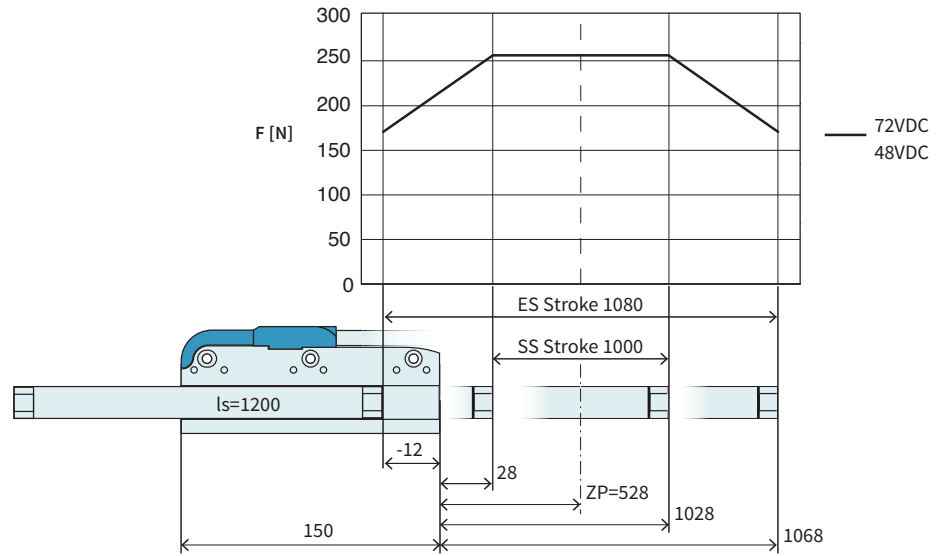
Item	Description	Item-No.
<b>PS01-37Sx120F-HP-N</b>	Stator HP, Cable -90°, 0°, +90°	0150-1296
<b>PL01-20x1000/940-HP</b>	Slider 'High Performance'	0150-1514
<b>PL01-20x1000/940-HP-L*</b>	Slider 'High Performance L'	0150-3703

\* With this slider, the motor specifications above change.



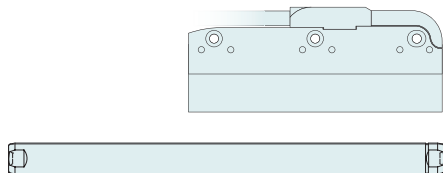
**P01-37Sx120F/1000x1080-HP**

**Max. Stroke:** 1080 mm  
**Peak Force:** 255 N



Dimensions in mm

Technical Data P01-37Sx120F/1000x1080-HP			
<b>Stroke</b>			
Standard Stroke (SS)	mm (in)	1000	(39.39)
Extended Stroke (ES)	mm (in)	1080	(42.49)
<b>Force</b>			
Max. Force @ 48VDC	N (lbf)	255	(57.3)
Max. Force @ 72VDC	N (lbf)	255	(57.3)
Max. Cont. Force [Passive cooling/ Fan / Fluid]	N (lbf)	35 / 67 / -	(7.8 / 15 / -)
Max. Border Force relative	%	67	
Force Constant	N/A <sub>pk</sub> (lbf/A <sub>pk</sub> )	17	(3.82)
<b>Velocity</b>			
Max. Velocity @ 48VDC	m/s (in/s)	2.5	(99.9)
Max. Velocity @ 72VDC	m/s (in/s)	3.8	(149.9)
<b>Position Detection</b>			
Repeatability	mm (in)	±0.05	(±0.002)
Linearity	%	± 0.15	
<b>Electrical Data</b>			
Max. Current @ 48VDC	A <sub>pk</sub>	14.9	
Max. Current @ 72VDC	A <sub>pk</sub>	14.9	
Max. Cont. Current [Passive cooling/ Fan / Fluid]	A <sub>pk</sub>	2.1 / 3.9 / -	
<b>Thermal Data</b>			
Max. Winding Temperature (Sensor)	°C	120	
Thermal Resistance [Passive cooling/ Fan / Fluid]	°K/W	5.5 / 1.5 / -	
Thermal Time Constant [Passive cooling/ Fan / Fluid]	s	2200 / 600 / -	
<b>Mechanical Data</b>			
Slider Length	mm (in)	1200	(47)
Slider Mass	g (lb)	2690	(5.92)

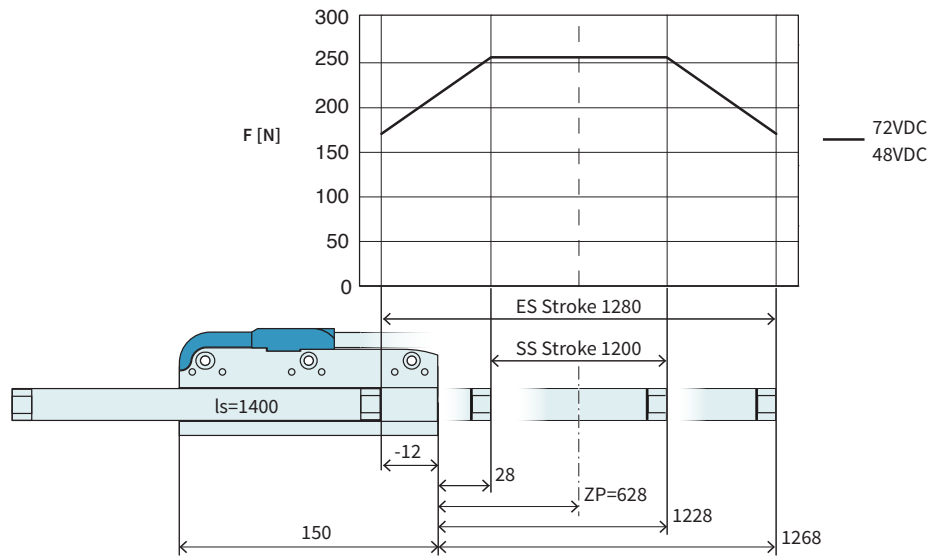


Item	Description	Item-No.
<b>PS01-37Sx120F-HP-N</b>	Stator HP, Cable -90°, 0°, +90°	0150-1296
<b>PL01-20x1200/1140-HP</b>	Slider 'High Performance'	0150-1515
<b>PL01-20x1200/1140-HP-L*</b>	Slider 'High Performance L'	0150-2510

\* With this slider, the motor specifications above change.

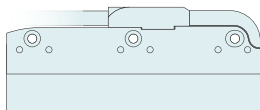
**P01-37Sx120F/1200x1280-HP**

**Max. Stroke:** 1280 mm  
**Peak Force:** 255 N



Dimensions in mm

Technical Data P01-37Sx120F/1200x1280-HP			
<b>Stroke</b>			
Standard Stroke (SS)	mm (in)	1200	(47.2)
Extended Stroke (ES)	mm (in)	1280	(50.39)
<b>Force</b>			
Max. Force @ 48VDC	N (lbf)	255	(57.3)
Max. Force @ 72VDC	N (lbf)	255	(57.3)
Max. Cont. Force [Passive cooling / Fan / Fluid]	N (lbf)	35 / 67 / -	(7.8 / 15 / -)
Max. Border Force relative	%	67	
Force Constant	N/A <sub>pk</sub> (lbf/A <sub>pk</sub> )	17	(3.82)
<b>Velocity</b>			
Max. Velocity @ 48VDC	m/s (in/s)	2.5	(99.9)
Max. Velocity @ 72VDC	m/s (in/s)	3.8	(149.9)
<b>Position Detection</b>			
Repeatability	mm (in)	±0.05	(±0.002)
Linearity	%	± 0.15	
<b>Electrical Data</b>			
Max. Current @ 48VDC	A <sub>pk</sub>	14.9	
Max. Current @ 72VDC	A <sub>pk</sub>	14.9	
Max. Cont. Current [Passive cooling / Fan / Fluid]	A <sub>pk</sub>	2.1 / 3.9 / -	
<b>Thermal Data</b>			
Max. Winding Temperature (Sensor)	°C	120	
Thermal Resistance [Passive cooling / Fan / Fluid]	°K/W	5.5 / 1.5 / -	
Thermal Time Constant [Passive cooling / Fan / Fluid]	s	2200 / 600 / -	
<b>Mechanical Data</b>			
Slider Length	mm (in)	1400	(55)
Slider Mass	g (lb)	3160	(6.95)

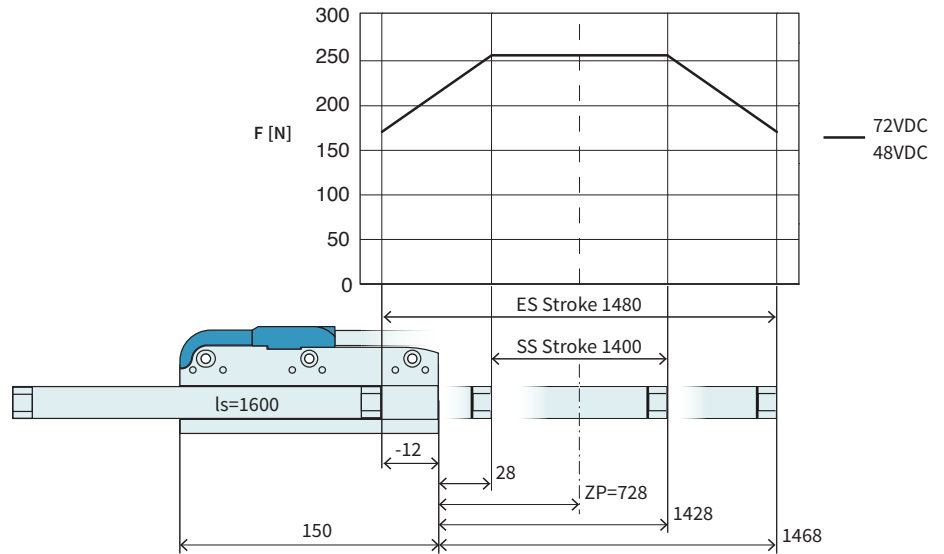


Item	Description	Item-No.
<b>PS01-37Sx120F-HP-N</b>	Stator HP, Cable -90°, 0°, +90°	0150-1296
<b>PL01-20x1400/1340-HP</b>	Slider 'High Performance'	0150-1516
<b>PL01-20x1400/1340-HP-L*</b>	Slider 'High Performance L'	on request

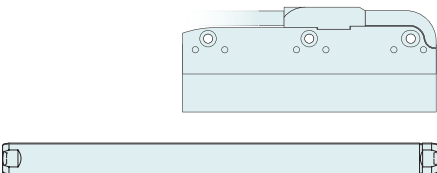
\* With this slider, the motor specifications above change.

**P01-37Sx120F/1400x1480-HP**

**Max. Stroke:** 1480 mm  
**Peak Force:** 255 N



Technical Data P01-37Sx120F/1400x1480-HP			
<b>Stroke</b>			
Standard Stroke (SS)	mm (in)	1400 (55.1)	
Extended Stroke (ES)	mm (in)	1480 (58.29)	
<b>Force</b>			
Max. Force @ 48VDC	N (lbf)	255 (57.3)	
Max. Force @ 72VDC	N (lbf)	255 (57.3)	
Max. Cont. Force [Passive cooling / Fan / Fluid]	N (lbf)	35 / 67 / -	(7.8 / 15 / -)
Max. Border Force relative	%	67	
Force Constant	N/A <sub>pk</sub> (lbf/A <sub>pk</sub> )	17	(3.82)
<b>Velocity</b>			
Max. Velocity @ 48VDC	m/s (in/s)	2.5	(99.9)
Max. Velocity @ 72VDC	m/s (in/s)	3.8	(149.9)
<b>Position Detection</b>			
Repeatability	mm (in)	±0.05	(±0.002)
Linearity	%	±0.15	
<b>Electrical Data</b>			
Max. Current @ 48VDC	A <sub>pk</sub>	14.9	
Max. Current @ 72VDC	A <sub>pk</sub>	14.9	
Max. Cont. Current [Passive cooling / Fan / Fluid]	A <sub>pk</sub>	2.1 / 3.9 / -	
<b>Thermal Data</b>			
Max. Winding Temperature (Sensor)	°C	120	
Thermal Resistance [Passive cooling / Fan / Fluid]	°K/W	5.5 / 1.5 / -	
Thermal Time Constant [Passive cooling / Fan / Fluid]	s	2200 / 600 / -	
<b>Mechanical Data</b>			
Slider Length	mm (in)	1600	(63)
Slider Mass	g (lb)	3620	(7.96)

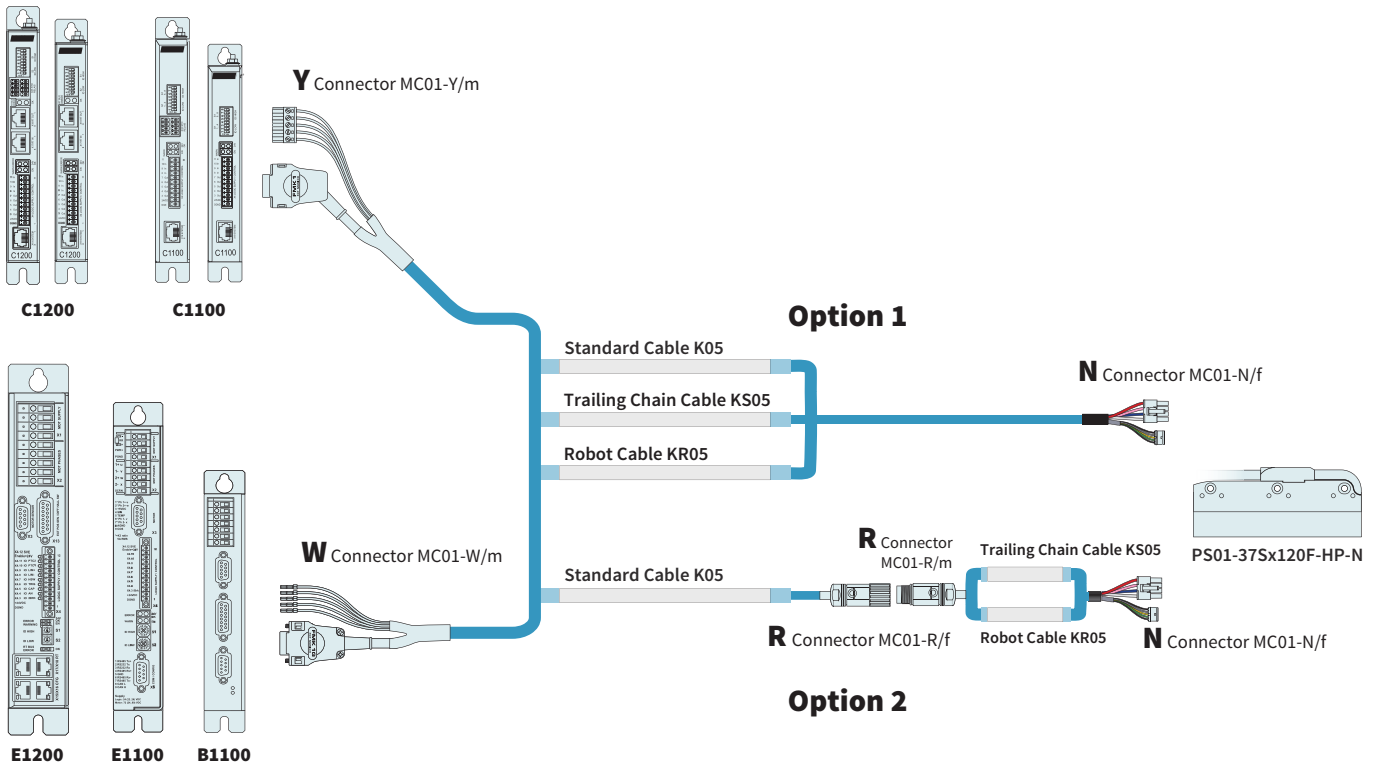


Item	Description	Item-No.
<b>PS01-37Sx120F-HP-N</b>	Stator HP, Cable -90°, 0°, +90°	0150-1296
<b>PL01-20x1600/1540-HP</b>	Slider 'High Performance'	0150-1517
<b>PL01-20x1600/1540-HP-L*</b>	Slider 'High Performance L'	on request

\* With this slider, the motor specifications above change.

**Motor Cable**

3



**ORDERING INFORMATION**

OPTION 1		
Item	Description	Item-No.
<b>K05-W/N-</b>	Motor Cable W/N, Custom length	0150-3756
<b>K05-Y-Fe/N-</b>	Motor Cable Y/N, Custom length	0150-3503
<b>KS05-W/N-2</b>	Trailing Chain Cable W/N, 2 m	0150-2296
<b>KS05-W/N-4</b>	Trailing Chain Cable W/N, 4 m	0150-2297
<b>KS05-W/N-6</b>	Trailing Chain Cable W/N, 6 m	0150-2298
<b>KS05-W/N-8</b>	Trailing Chain Cable W/N, 8 m	0150-2299
<b>KS05-W/N-</b>	Trailing Chain Cable W/N, Custom length	0150-3412
<b>KS05-Y/N-2</b>	Trailing Chain Cable Y/N, 2 m	0150-2442
<b>KS05-Y/N-4</b>	Trailing Chain Cable Y/N, 4 m	0150-2443
<b>KS05-Y/N-6</b>	Trailing Chain Cable Y/N, 6 m	0150-2444
<b>KS05-Y/N-8</b>	Trailing Chain Cable Y/N, 8 m	0150-2445
<b>KS05-Y-Fe/N-</b>	Trailing Chain Cable Y/N, Custom length	0150-3509
<b>KR05-W/N-</b>	Robot Cable W/N, Custom length	0150-3406
<b>KR05-Y-Fe/N-</b>	Robot Cable Y/N, Custom length	0150-3514

OPTION 2		
Item	Description	Item-No.
<b>K05-W/R-2</b>	Motor Cable W/R, 2 m	0150-2119
<b>K05-W/R-4</b>	Motor Cable W/R, 4 m	0150-2120
<b>K05-W/R-6</b>	Motor Cable W/R, 6 m	0150-2121
<b>K05-W/R-8</b>	Motor Cable W/R, 8 m	0150-2122
<b>K05-W/R-</b>	Motor Cable W/R, Custom length	0150-3262
<b>K05-Y/R-2</b>	Motor Cable Y/R, 2 m	0150-2421
<b>K05-Y/R-4</b>	Motor Cable Y/R, 4 m	0150-2422
<b>K05-Y/R-6</b>	Motor Cable Y/R, 6 m	0150-2423
<b>K05-Y/R-8</b>	Motor Cable Y/R, 8 m	0150-2424
<b>K05-Y-Fe/R-</b>	Motor Cable Y/R, Custom length	0150-3501
<b>KS05-R/N-</b>	Trailing Chain Cable R/N, Custom length	0150-3486
<b>KR05-R/N-</b>	Robot Cable R/N, Custom length	0150-3757

CONNECTOR & CABLE (INDIVIDUAL)		
Item	Description	Item-No.
<b>MC01-W/m</b>	Motor Connector W/m	0150-3140
<b>MC01-Y-Fe/m</b>	Motor Connector Y-Fe/m	0150-3289
<b>MC01-R/f</b>	Motor Connector R/f	0150-3129
<b>MC01-N/f</b>	Motor Connector N/f	0150-3407
<b>K05-04/05</b>	Motor Cable per m	0150-1920
<b>KS05-04/05</b>	Trailing Chain Cable per m	0150-1938
<b>KR05-04/05</b>	Robot Cable per m	0150-1846

**SLIDER MOUNTING**



Item	Description	Item-No.
<b>PLF01-20</b>	Fixed Bearing Set for 19/20 mm sliders	0150-3083
<b>PLF01-20-SS</b>	Fixed Bearing Set for 19/20 mm sliders, stainless steel	0150-3296
<b>PLL01-19</b>	Floating Bearing for 19 mm sliders	0150-3335
<b>PLL01-20</b>	Floating Bearing for 20 mm sliders	0150-3084
<b>PLM01-20-MK</b>	Mounting Kit for 20 mm sliders	0150-3079

FIND MORE PRODUCT DETAILS IN THE CHAPTER "ACCESSORIES".

**EXTERNAL POSITION SENSORS**



Item	Description	Item-No.
<b>MS01-1/D</b>	Linear Encoder 1µm, A/B (for inc. strip)	0150-1840
<b>MB01-1000</b>	Magnetic incremental strip for MS01-1/D, per cm	0150-1963
<b>KS025-D/D-Encoder</b>	Encoder Cable (Length in m)	0150-3166
<b>KS025-D/D15-Encoder</b>	Encoder Cable (Length in m)	0150-3168

FIND MORE PRODUCT DETAILS IN THE CHAPTER "ACCESSORIES".



Item	Description	Item-No.
<b>MS01-1/D-SSI</b>	Linear Encoder 1µm, A/B (for absolute strip)	0150-2095
<b>MB01-1000-ABS</b>	Magnetic absolute strip for MS01-1/D-SSI (per cm)	0150-2096
<b>EC01-ABS/ENC-12-S</b>	MS01-1/D-SSI Encoder connector straight	0150-3616
<b>KSS01-12-D15/ABS-ENC</b>	Special cable for MS01-1/D-SSI on C1100/C1200/C1400/E1200/E1400 Drives	0150-3652

FIND MORE PRODUCT DETAILS IN THE CHAPTER "ACCESSORIES".

# LINEAR MOTORS P01-37x240



- ✓ Highly dynamic drives
- ✓ Wide stroke range
- ✓ Available with cable outlet or with rotatable connector
- ✓ Optional with air cooling
- ✓ Wide range of applications in handling modules as well as in plant and machine construction

## LINEAR MOTORS P01-37x240

<b>Technical Data</b> .....	<b>271</b>
<b>Motor Specifications</b>	
P01-37x240/80x120-LC .....	<b>274</b>
P01-37x240/20x180-LC .....	<b>275</b>
P01-37x240/80x280-LC .....	<b>276</b>
P01-37x240/180x380-LC .....	<b>277</b>
P01-37x240/280x480-LC .....	<b>278</b>
P01-37x240/380x580-LC .....	<b>279</b>
P01-37x240/480x680-LC .....	<b>280</b>
P01-37x240/580x780-LC .....	<b>281</b>
P01-37x240/680x880-LC .....	<b>282</b>
P01-37x240/880x1080-LC .....	<b>283</b>
P01-37x240/1080x1280-LC .....	<b>284</b>
P01-37x240/1280x1480-LC .....	<b>285</b>
<b>Linear Guides</b> .....	<b>286</b>
<b>Accessories</b> .....	<b>288</b>

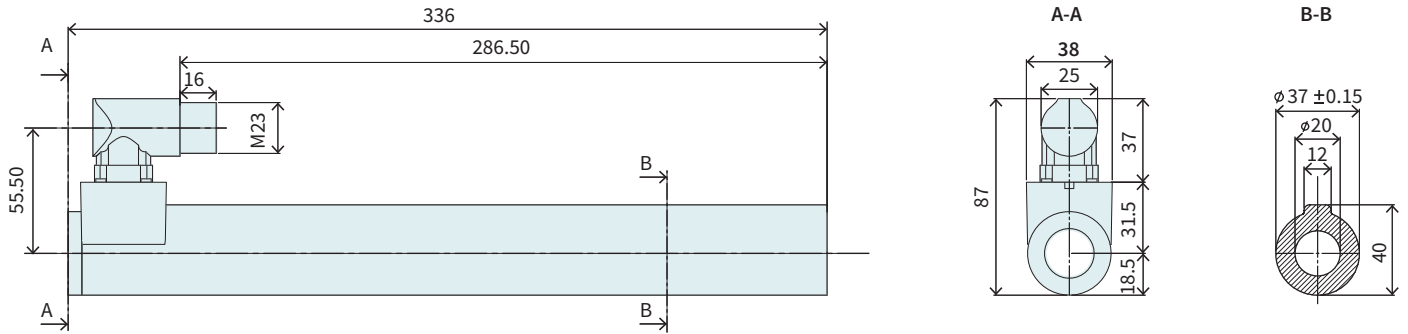




### MOTOR FAMILY P01-37x240

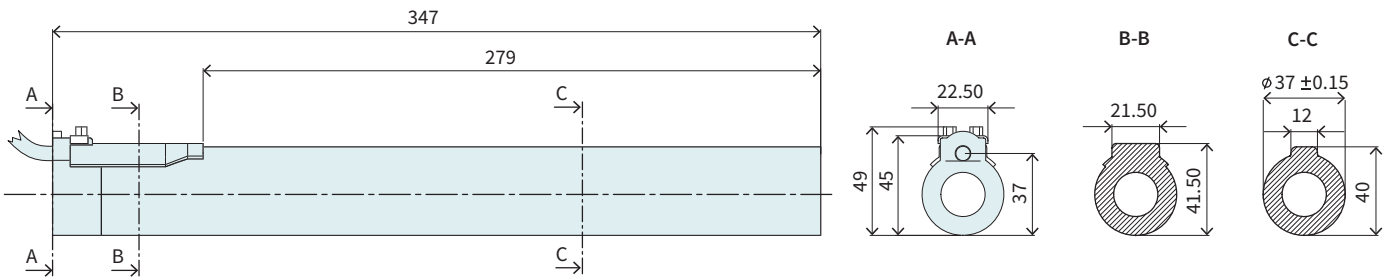
Technical Data				
<b>Stroke</b>				
Standard Stroke (SS)	mm (in)		≤ 1280 (≤ 50.4)	
Extended Stroke (ES)	mm (in)		≤ 1480 (≤ 58.3)	
<b>Force</b>				
Max. Force @ 48VDC	N (lbf)		136 (30.5)	
Max. Force @ 72VDC	N (lbf)		203 (45.7)	
Max. Cont. Force [Passive cooling / Fan / Fluid]	N (lbf)		52 / 96 / - (12 / 22 / -)	
Max. Border Force relative	%		≤ 88	
Force Constant	N/A <sub>pk</sub> (lbf/A <sub>pk</sub> )		40.8 (9.17)	
<b>Velocity</b>				
Max. Velocity @ 48VDC	m/s (in/s)		1.6 (63.9)	
Max. Velocity @ 72VDC	m/s (in/s)		2.3 (95.9)	
<b>Position Detection</b>				
Position Resolution	mm (in)		0.005 (0.0002)	
Repeatability	mm (in)		±0.05 (±0.002)	
Position Resolution with ES	mm (in)		0.001 (0.00004)	
Repeatability with ES	mm (in)		±0.01 (±0.0004)	
Linearity with ES	mm (in)		±0.01 (±0.0004)	
<b>Electrical Data</b>				
Max. Current @ 48VDC	A <sub>pk</sub>		3.3	
Max. Current @ 72VDC	A <sub>pk</sub>		4.9	
Max. Cont. Current [Passive cooling / Fan / Fluid]	A <sub>pk</sub>		1.3 / 2.3 / -	
Terminal Resistance 25 °C / 120 °C	Ohm		12 / 16	
Terminal Inductivity	mH		6	
Magnetic Period	mm (in)		40 (1.57)	
<b>Thermal Data</b>				
Max. Winding Temperature (Sensor)	°C		90	
Thermal Resistance [Passive cooling / Fan / Fluid]	°K/W		2.1 / 0.61 / -	
Thermal Time Constant [Passive cooling / Fan / Fluid]	s		1400 / 410 / -	
<b>Mechanical Data</b>				
Stator Diameter	mm (in)		37 (1.5)	
Stator Length [Connector type / Cable type]	mm (in)		336 / 347 (13 / 14)	
Stator Mass	g (lb)		1385 (3.0)	
Slider Diameter	mm (in)		20 (0.79)	
Slider Length	mm (in)		240 - 1600 (9.4 - 63)	
Slider Mass	g (lb)		490 - 3620 (1.1 - 7.96)	
IP Code			IP 65	

**STATOR CONNECTOR TYPE**



Item	Description	Item-No.
PS01-37x240-C	Stator with IP67 Connector M23/9(m)	0150-1224

**STATOR CABLE TYPE**

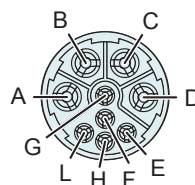


Item	Description	Item-No.
PS01-37x240	Stator, 1.5m Cable, Connector P/10(m)	0150-1203
PS01-37x240-C20	Stator, 0.2m Cable, IP67 St. M23/9(m)	0150-1238

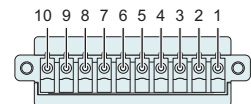
**CONNECTOR**

Motor Connector Wiring	PS01-37x240-C PS01-37x240-C20	PS01-37x240	Wire color motor cable
	C-Connector	P-Connector	
Ph 1+	A	1	red
Ph 1-	B	2	pink
Ph 2+	C	3	blue
Ph 2-	D	4	grey
+5VDC	E	5	white
GND	F	6	inner shield
Sin	G	7	yellow
Cos	H	8	green
Temp.	L	9	black
Shield	Housing	10	outer Shield

**C-Connector**



**P-Connector**

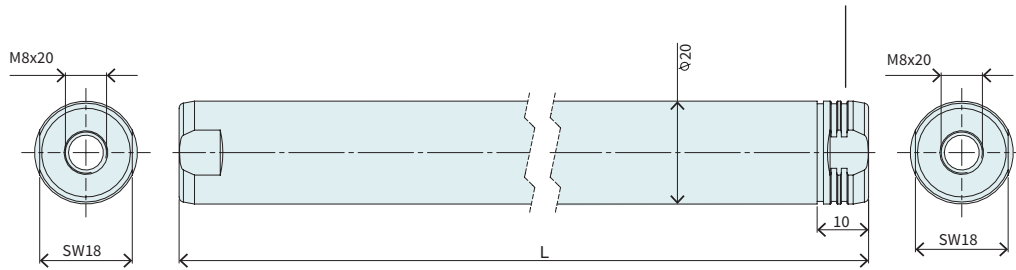


View: Motor Connector, plug side

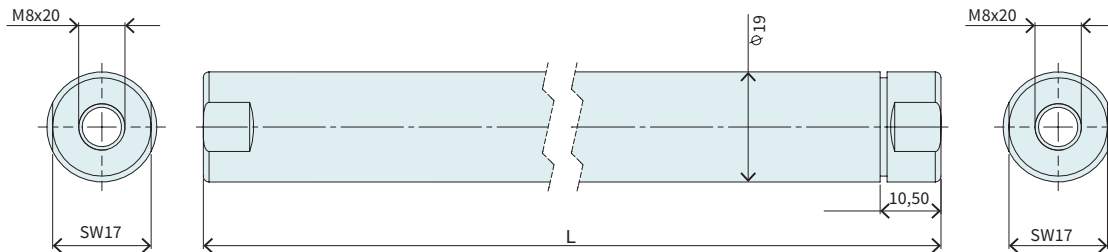
**SLIDER**

**Slider Standard / Heavy Duty**

Number of grooves determines the slider type (see chapter 2 / slider) and marks the front end.



**High-Clearance Slider**



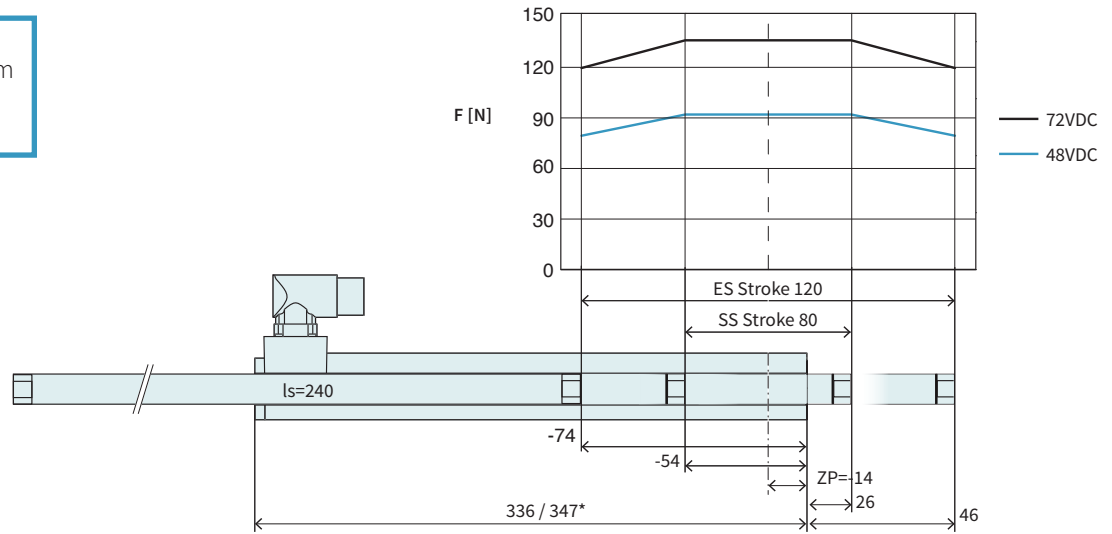
Slider Standard				
Item	Description	Max. Stroke [mm]	Standard Stroke [mm]	Item-No.
PL01-20x240/180-LC	Slider 'standard LC'	120	40	0150-2560
PL01-20x300/240-LC	Slider 'standard LC'	180	100	0150-2561
PL01-20x400/340-LC	Slider 'standard LC'	280	200	0150-2562
PL01-20x500/440-LC	Slider 'standard LC'	380	300	0150-2563
PL01-20x600/540-LC	Slider 'standard LC'	480	400	0150-2564
PL01-20x700/640-LC	Slider 'standard LC'	580	500	0150-2565
PL01-20x800/740-LC	Slider 'standard LC'	680	600	0150-2566
PL01-20x900/840-LC	Slider 'standard LC'	780	700	0150-2567
PL01-20x1000/940-LC	Slider 'standard LC'	880	800	0150-2568
PL01-20x1200/1140-LC	Slider 'standard LC'	1080	1000	0150-2569
PL01-20x1400/1340-LC	Slider 'standard LC'	1280	1200	0150-2570
PL01-20x1600/1540-LC	Slider 'standard LC'	1480	1400	0150-2571

Slider Heavy Duty				
Item	Description	Max. Stroke [mm]	Standard Stroke [mm]	Item-No.
PL02-20x240/180-LC	Slider 'heavy duty LC'	120	40	0150-2572
PL02-20x300/240-LC	Slider 'heavy duty LC'	180	100	0150-2573
PL02-20x400/340-LC	Slider 'heavy duty LC'	280	200	0150-2574
PL02-20x500/440-LC	Slider 'heavy duty LC'	380	300	0150-2575
PL02-20x600/540-LC	Slider 'heavy duty LC'	480	400	0150-2576
PL02-20x700/640-LC	Slider 'heavy duty LC'	580	500	0150-2577
PL02-20x800/740-LC	Slider 'heavy duty LC'	680	600	0150-2578
PL02-20x900/840-LC	Slider 'heavy duty LC'	780	700	0150-2579

High-Clearance Slider				
Item	Description	Max. Stroke [mm]	Standard Stroke [mm]	Item-No.
PL01-19x240/160	Slider 'high clearance'	100	80	0150-1448
PL01-19x300/220	Slider 'high clearance'	160	140	0150-1449
PL01-19x395/320	Slider 'high clearance'	260	240	0150-1452
PL01-19x500/420	Slider 'high clearance'	360	340	0150-1455
PL01-19x600/520	Slider 'high clearance'	460	440	0150-1456
PL01-19x700/620	Slider 'high clearance'	560	540	0150-1457

**P01-37x240/80x120-LC**

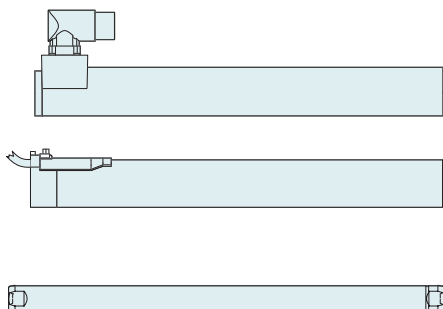
**Max. Stroke:** 120 mm  
**Peak Force:** 136 N



Dimensions in mm  
 \*Cable Type

**Technical Data P01-37x240/80x120-LC**

Stroke			
Standard Stroke (SS)	mm (in)	80	(3.14)
Extended Stroke (ES)	mm (in)	120	(4.71)
Force			
Max. Force @ 48VDC	N (lbf)	90.4	(20.3)
Max. Force @ 72VDC	N (lbf)	136	(30.5)
Max. Cont. Force [Passive cooling/ Fan / Fluid]	N (lbf)	35 / 64 / -	(7.8 / 14 / -)
Max. Border Force relative	%	88	
Force Constant	N/A <sub>pk</sub> (lbf/A <sub>pk</sub> )	27.2	(6.11)
Velocity			
Max. Velocity @ 48VDC	m/s (in/s)	1.6	(63.9)
Max. Velocity @ 72VDC	m/s (in/s)	2.3	(95.9)
Position Detection			
Repeatability	mm (in)	±0.05	(±0.002)
Linearity	%	± 0.5	
Electrical Data			
Max. Current @ 48VDC	A <sub>pk</sub>	3.3	
Max. Current @ 72VDC	A <sub>pk</sub>	4.9	
Max. Cont. Current [Passive cooling/ Fan / Fluid]	A <sub>pk</sub>	1.3 / 2.3 / -	
Thermal Data			
Max. Winding Temperature (Sensor)	°C	90	
Thermal Resistance [Passive cooling / Fan / Fluid]	°K/W	2.1 / 0.61 / -	
Thermal Time Constant [Passive cooling / Fan / Fluid]	s	1400 / 410 / -	
Mechanical Data			
Slider Length	mm (in)	240	(9.4)
Slider Mass	g (lb)	490	(1.08)

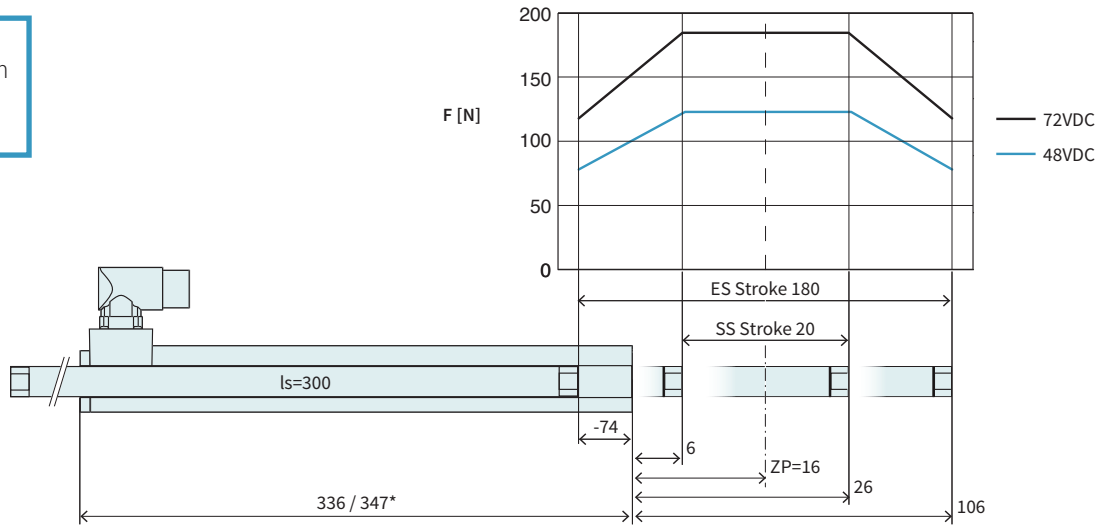


Item	Description	Item-No.
<b>PS01-37x240-C</b>	Stator with IP67 Connector M23/9(m)	0150-1224
<b>PS01-37x240</b>	Stator, 1.5m Cable, Connector P/10(m)	0150-1203
<b>PS01-37x240-C20</b>	Stator, 0.2m Cable, IP67 St. M23/9(m)	0150-1238
<b>PL01-20x240/180-LC</b>	Slider 'standard LC'	0150-2560
<b>PL02-20x240/180-LC</b>	Slider 'heavy duty LC'	0150-2572
<b>PL01-19x240/160*</b>	Slider 'high clearance'	0150-1448

\* With this slider, the motor specifications above change.

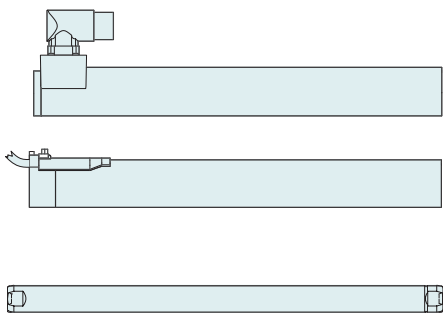
**P01-37x240/20x180-LC**

**Max. Stroke:** 180 mm  
**Peak Force:** 186 N



Dimensions in mm  
 \*Cable Type

Technical Data P01-37x240/20x180-LC			
<b>Stroke</b>			
Standard Stroke (SS)	mm (in)	20 (0.78)	
Extended Stroke (ES)	mm (in)	180 (7.08)	
<b>Force</b>			
Max. Force @ 48VDC	N (lbf)	124 (27.9)	
Max. Force @ 72VDC	N (lbf)	186 (41.9)	
Max. Cont. Force [Passive cooling / Fan / Fluid]	N (lbf)	48 / 88 / - (11 / 20 / -)	
Max. Border Force relative	%	64	
Force Constant	N/A <sub>pk</sub> (lbf/A <sub>pk</sub> )	37.4 (8.41)	
<b>Velocity</b>			
Max. Velocity @ 48VDC	m/s (in/s)	1.1 (45.9)	
Max. Velocity @ 72VDC	m/s (in/s)	1.7 (69.9)	
<b>Position Detection</b>			
Repeatability	mm (in)	±0.05 (±0.002)	
Linearity	%	± 0.4	
<b>Electrical Data</b>			
Max. Current @ 48VDC	A <sub>pk</sub>	3.3	
Max. Current @ 72VDC	A <sub>pk</sub>	4.9	
Max. Cont. Current [Passive cooling / Fan / Fluid]	A <sub>pk</sub>	1.3 / 2.3 / -	
<b>Thermal Data</b>			
Max. Winding Temperature (Sensor)	°C	90	
Thermal Resistance [Passive cooling / Fan / Fluid]	°K/W	2.1 / 0.61 / -	
Thermal Time Constant [Passive cooling / Fan / Fluid]	s	1400 / 410 / -	
<b>Mechanical Data</b>			
Slider Length	mm (in)	300 (12)	
Slider Mass	g (lb)	630 (1.39)	

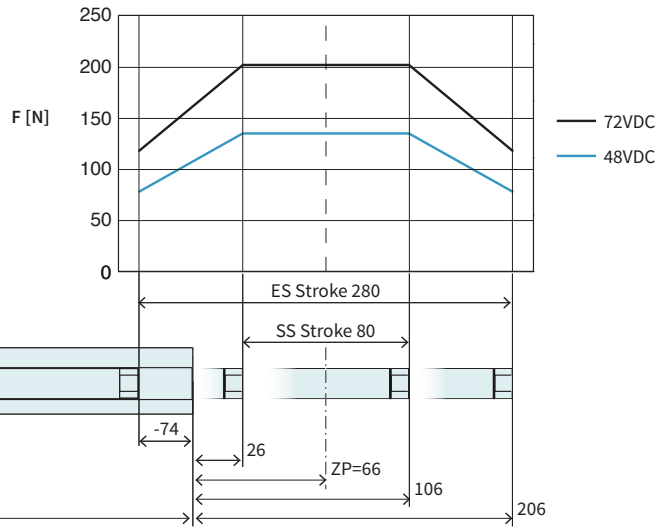


Item	Description	Item-No.
<b>PS01-37x240-C</b>	Stator with IP67 Connector M23/9(m)	0150-1224
<b>PS01-37x240</b>	Stator, 1.5m Cable, Connector P/10(m)	0150-1203
<b>PS01-37x240-C20</b>	Stator, 0.2m Cable, IP67 St. M23/9(m)	0150-1238
<b>PL01-20x300/240-LC</b>	Slider 'standard LC'	0150-2561
<b>PL02-20x300/240-LC</b>	Slider 'heavy duty LC'	0150-2573
<b>PL01-19x300/220*</b>	Slider 'high clearance'	0150-1449

\* With this slider, the motor specifications above change.

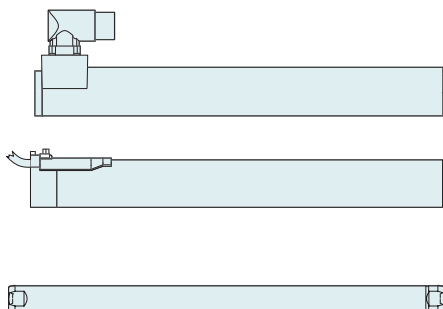
**P01-37x240/80x280-LC**

**Max. Stroke:** 280 mm  
**Peak Force:** 203 N



Dimensions in mm  
 \*Cable Type

Technical Data P01-37x240/80x280-LC			
<b>Stroke</b>			
Standard Stroke (SS)	mm (in)		80 (3.14)
Extended Stroke (ES)	mm (in)		280 (10.99)
<b>Force</b>			
Max. Force @ 48VDC	N (lbf)		136 (30.5)
Max. Force @ 72VDC	N (lbf)		203 (45.7)
Max. Cont. Force [Passive cooling / Fan / Fluid]	N (lbf)		52 / 96 / - (12 / 22 / -)
Max. Border Force relative	%		58
Force Constant	N/A <sub>pk</sub> (lbf/A <sub>pk</sub> )		40.8 (9.17)
<b>Velocity</b>			
Max. Velocity @ 48VDC	m/s (in/s)		1.1 (42.9)
Max. Velocity @ 72VDC	m/s (in/s)		1.6 (63.9)
<b>Position Detection</b>			
Repeatability	mm (in)		±0.05 (±0.002)
Linearity	%		± 0.3
<b>Electrical Data</b>			
Max. Current @ 48VDC	A <sub>pk</sub>		3.3
Max. Current @ 72VDC	A <sub>pk</sub>		4.9
Max. Cont. Current [Passive cooling / Fan / Fluid]	A <sub>pk</sub>		1.3 / 2.3 / -
<b>Thermal Data</b>			
Max. Winding Temperature (Sensor)	°C		90
Thermal Resistance [Passive cooling / Fan / Fluid]	°K/W		2.1 / 0.61 / -
Thermal Time Constant [Passive cooling / Fan / Fluid]	s		1400 / 410 / -
<b>Mechanical Data</b>			
Slider Length	mm (in)		400 (16)
Slider Mass	g (lb)		860 (1.9)

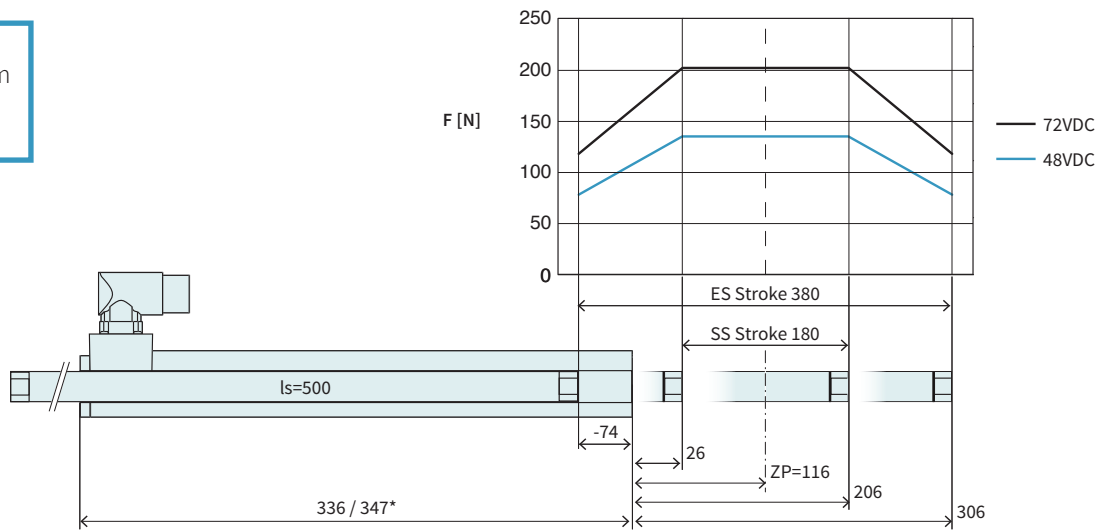


Item	Description	Item-No.
<b>PS01-37x240-C</b>	Stator with IP67 Connector M23/9(m)	0150-1224
<b>PS01-37x240</b>	Stator, 1.5m Cable, Connector P/10(m)	0150-1203
<b>PS01-37x240-C20</b>	Stator, 0.2m Cable, IP67 St. M23/9(m)	0150-1238
<b>PL01-20x400/340-LC</b>	Slider 'standard LC'	0150-2562
<b>PL02-20x400/340-LC</b>	Slider 'heavy duty LC'	0150-2574
<b>PL01-19x395/320*</b>	Slider 'high clearance'	0150-1452

\* With this slider, the motor specifications above change.

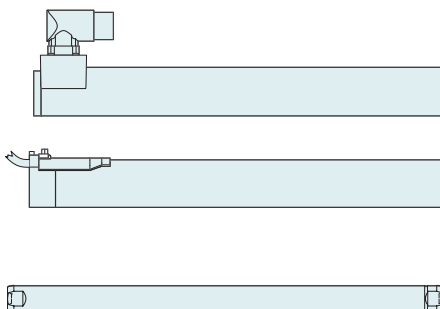
**P01-37x240/180x380-LC**

**Max. Stroke:** 380 mm  
**Peak Force:** 203 N



Dimensions in mm  
 \*Cable Type

Technical Data P01-37x240/180x380-LC			
<b>Stroke</b>			
Standard Stroke (SS)	mm (in)	180 (7.08)	
Extended Stroke (ES)	mm (in)	380 (14.99)	
<b>Force</b>			
Max. Force @ 48VDC	N (lbf)	136 (30.5)	
Max. Force @ 72VDC	N (lbf)	203 (45.7)	
Max. Cont. Force [Passive cooling / Fan / Fluid]	N (lbf)	52 / 96 / -	(12 / 22 / -)
Max. Border Force relative	%	58	
Force Constant	N/A <sub>pk</sub> (lbf/A <sub>pk</sub> )	40.8 (9.17)	
<b>Velocity</b>			
Max. Velocity @ 48VDC	m/s (in/s)	1.1 (42.9)	
Max. Velocity @ 72VDC	m/s (in/s)	1.6 (63.9)	
<b>Position Detection</b>			
Repeatability	mm (in)	±0.05 (±0.002)	
Linearity	%	± 0.25	
<b>Electrical Data</b>			
Max. Current @ 48VDC	A <sub>pk</sub>	3.3	
Max. Current @ 72VDC	A <sub>pk</sub>	4.9	
Max. Cont. Current [Passive cooling / Fan / Fluid]	A <sub>pk</sub>	1.3 / 2.3 / -	
<b>Thermal Data</b>			
Max. Winding Temperature (Sensor)	°C	90	
Thermal Resistance [Passive cooling / Fan / Fluid]	°K/W	2.1 / 0.61 / -	
Thermal Time Constant [Passive cooling / Fan / Fluid]	s	1400 / 410 / -	
<b>Mechanical Data</b>			
Slider Length	mm (in)	500 (20)	
Slider Mass	g (lb)	1090 (2.4)	



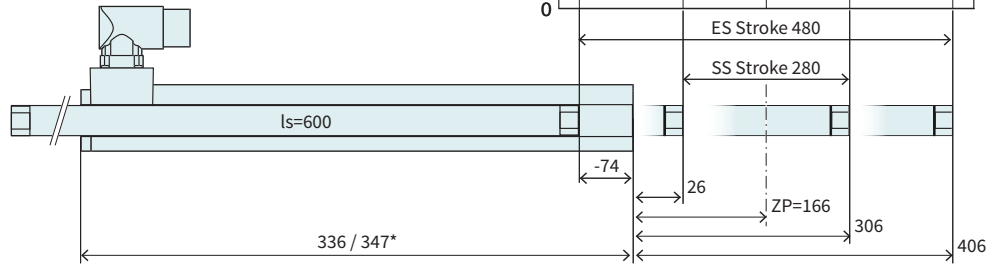
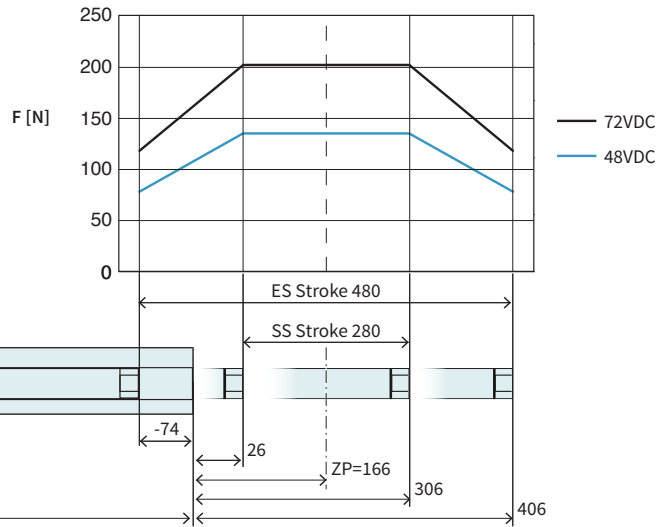
Item	Description	Item-No.
<b>PS01-37x240-C</b>	Stator with IP67 Connector M23/9(m)	0150-1224
<b>PS01-37x240</b>	Stator, 1.5m Cable, Connector P/10(m)	0150-1203
<b>PS01-37x240-C20</b>	Stator, 0.2m Cable, IP67 St. M23/9(m)	0150-1238
<b>PL01-20x500/440-LC</b>	Slider 'standard LC'	0150-2563
<b>PL02-20x500/440-LC</b>	Slider 'heavy duty LC'	0150-2575
<b>PL01-19x500/420*</b>	Slider 'high clearance'	0150-1455

\* With this slider, the motor specifications above change.

**P01-37x240/280x480-LC**

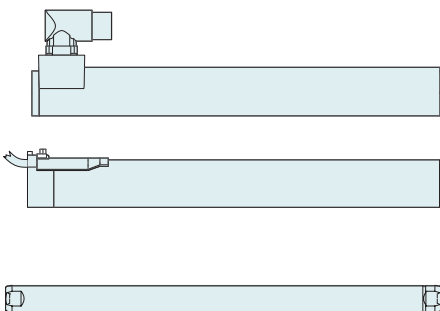
3

**Max. Stroke:** 480 mm  
**Peak Force:** 203 N



Dimensions in mm  
 \*Cable Type

Technical Data P01-37x240/280x480-LC			
<b>Stroke</b>			
Standard Stroke (SS)	mm (in)		280 (10.99)
Extended Stroke (ES)	mm (in)		480 (18.89)
<b>Force</b>			
Max. Force @ 48VDC	N (lbf)		136 (30.5)
Max. Force @ 72VDC	N (lbf)		203 (45.7)
Max. Cont. Force [Passive cooling / Fan / Fluid]	N (lbf)		52 / 96 / - (12 / 22 / -)
Max. Border Force relative	%		58
Force Constant	N/A <sub>pk</sub> (lbf/A <sub>pk</sub> )		40.8 (9.17)
<b>Velocity</b>			
Max. Velocity @ 48VDC	m/s (in/s)		1.1 (42.9)
Max. Velocity @ 72VDC	m/s (in/s)		1.6 (63.9)
<b>Position Detection</b>			
Repeatability	mm (in)		±0.05 (±0.002)
Linearity	%		± 0.2
<b>Electrical Data</b>			
Max. Current @ 48VDC	A <sub>pk</sub>		3.3
Max. Current @ 72VDC	A <sub>pk</sub>		4.9
Max. Cont. Current [Passive cooling / Fan / Fluid]	A <sub>pk</sub>		1.3 / 2.3 / -
<b>Thermal Data</b>			
Max. Winding Temperature (Sensor)	°C		90
Thermal Resistance [Passive cooling / Fan / Fluid]	°K/W		2.1 / 0.61 / -
Thermal Time Constant [Passive cooling / Fan / Fluid]	s		1400 / 410 / -
<b>Mechanical Data</b>			
Slider Length	mm (in)		600 (24)
Slider Mass	g (lb)		1330 (2.93)



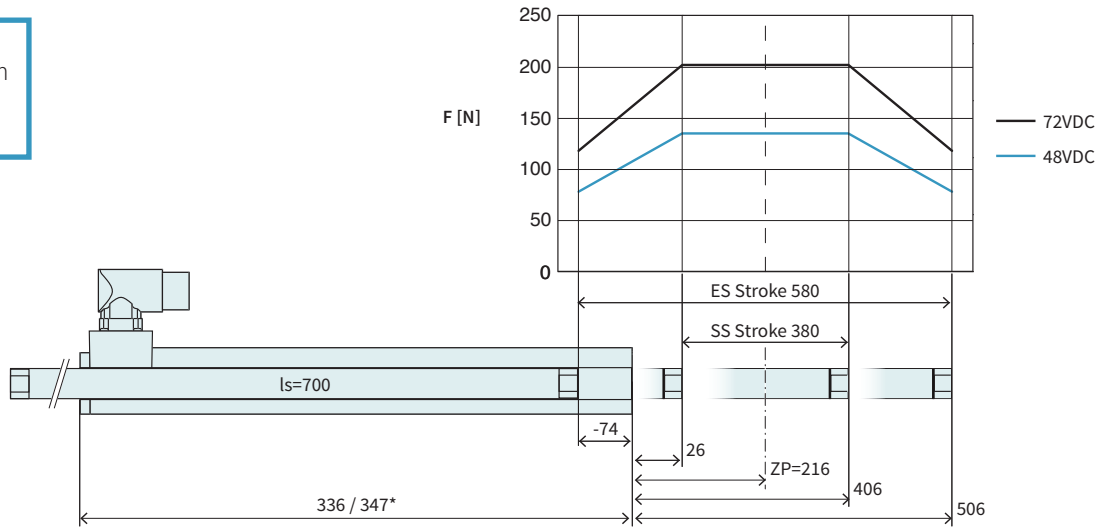
Item	Description	Item-No.
<b>PS01-37x240-C</b>	Stator with IP67 Connector M23/9(m)	0150-1224
<b>PS01-37x240</b>	Stator, 1.5m Cable, Connector P/10(m)	0150-1203
<b>PS01-37x240-C20</b>	Stator, 0.2m Cable, IP67 St. M23/9(m)	0150-1238
<b>PL01-20x600/540-LC</b>	Slider 'standard LC'	0150-2564
<b>PL02-20x600/540-LC</b>	Slider 'heavy duty LC'	0150-2576
<b>PL01-19x600/520*</b>	Slider 'high clearance'	0150-1456

\* With this slider, the motor specifications above change.



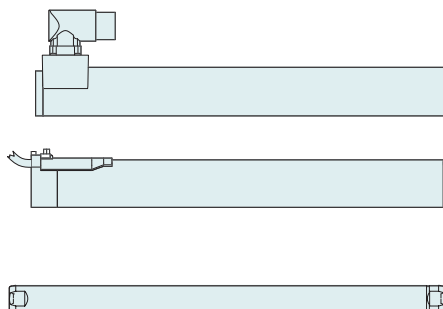
**P01-37x240/380x580-LC**

**Max. Stroke:** 580 mm  
**Peak Force:** 203 N



Dimensions in mm  
 \*Cable Type

Technical Data P01-37x240/380x580-LC			
<b>Stroke</b>			
Standard Stroke (SS)	mm (in)	380	(14.99)
Extended Stroke (ES)	mm (in)	580	(22.8)
<b>Force</b>			
Max. Force @ 48VDC	N (lbf)	136	(30.5)
Max. Force @ 72VDC	N (lbf)	203	(45.7)
Max. Cont. Force [Passive cooling / Fan / Fluid]	N (lbf)	52 / 96 / -	(12 / 22 / -)
Max. Border Force relative	%	58	
Force Constant	N/A <sub>pk</sub> (lbf/A <sub>pk</sub> )	40.8	(9.17)
<b>Velocity</b>			
Max. Velocity @ 48VDC	m/s (in/s)	1.1	(42.9)
Max. Velocity @ 72VDC	m/s (in/s)	1.6	(63.9)
<b>Position Detection</b>			
Repeatability	mm (in)	±0.05	(±0.002)
Linearity	%	± 0.2	
<b>Electrical Data</b>			
Max. Current @ 48VDC	A <sub>pk</sub>	3.3	
Max. Current @ 72VDC	A <sub>pk</sub>	4.9	
Max. Cont. Current [Passive cooling / Fan / Fluid]	A <sub>pk</sub>	1.3 / 2.3 / -	
<b>Thermal Data</b>			
Max. Winding Temperature (Sensor)	°C	90	
Thermal Resistance [Passive cooling / Fan / Fluid]	°K/W	2.1 / 0.61 / -	
Thermal Time Constant [Passive cooling / Fan / Fluid]	s	1400 / 410 / -	
<b>Mechanical Data</b>			
Slider Length	mm (in)	700	(28)
Slider Mass	g (lb)	1560	(3.4)

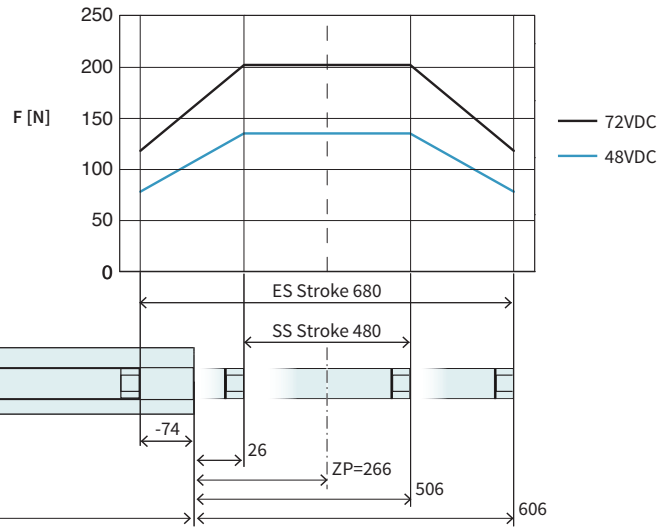


Item	Description	Item-No.
<b>PS01-37x240-C</b>	Stator with IP67 Connector M23/9(m)	0150-1224
<b>PS01-37x240</b>	Stator, 1.5m Cable, Connector P/10(m)	0150-1203
<b>PS01-37x240-C20</b>	Stator, 0.2m Cable, IP67 St. M23/9(m)	0150-1238
<b>PL01-20x700/640-LC</b>	Slider 'standard LC'	0150-2565
<b>PL02-20x700/640-LC</b>	Slider 'heavy duty LC'	0150-2577
<b>PL01-19x700/620*</b>	Slider 'high clearance'	0150-1457

\* With this slider, the motor specifications above change.

**P01-37x240/480x680-LC**

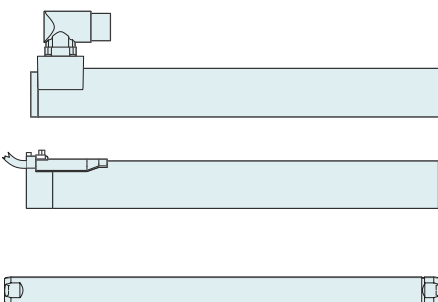
**Max. Stroke:** 680 mm  
**Peak Force:** 203 N



Dimensions in mm  
 \*Cable Type

Technical Data P01-37x240/480x680-LC

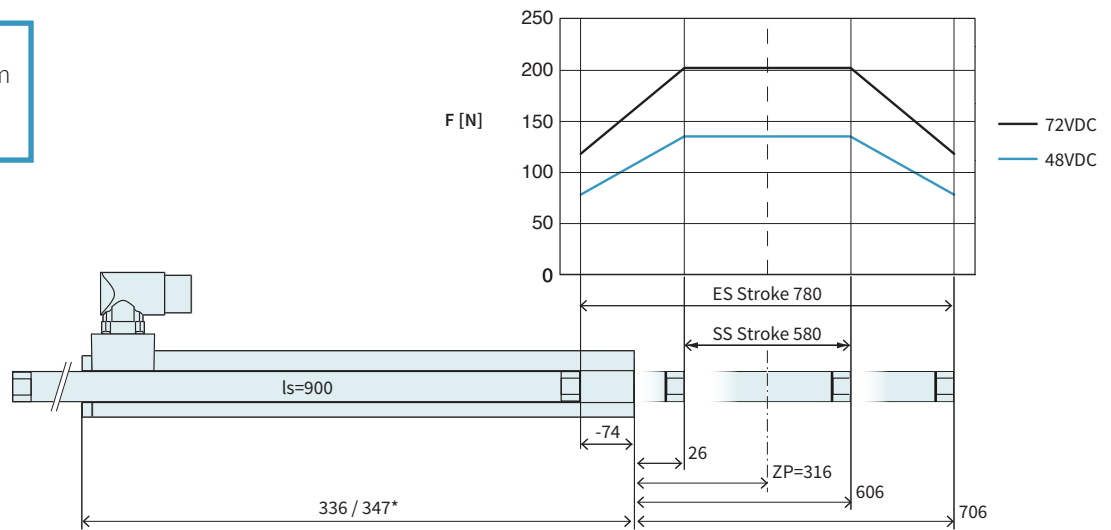
Stroke			
Standard Stroke (SS)	mm (in)		480 (18.89)
Extended Stroke (ES)	mm (in)		680 (26.8)
Force			
Max. Force @ 48VDC	N (lbf)		136 (30.5)
Max. Force @ 72VDC	N (lbf)		203 (45.7)
Max. Cont. Force [Passive cooling / Fan / Fluid]	N (lbf)		52 / 96 / - (12 / 22 / -)
Max. Border Force relative	%		58
Force Constant	N/A <sub>pk</sub> (lbf/A <sub>pk</sub> )		40.8 (9.17)
Velocity			
Max. Velocity @ 48VDC	m/s (in/s)		1.1 (42.9)
Max. Velocity @ 72VDC	m/s (in/s)		1.6 (63.9)
Position Detection			
Repeatability	mm (in)		±0.05 (±0.002)
Linearity	%		± 0.15
Electrical Data			
Max. Current @ 48VDC	A <sub>pk</sub>		3.3
Max. Current @ 72VDC	A <sub>pk</sub>		4.9
Max. Cont. Current [Passive cooling / Fan / Fluid]	A <sub>pk</sub>		1.3 / 2.3 / -
Thermal Data			
Max. Winding Temperature (Sensor)	°C		90
Thermal Resistance [Passive cooling / Fan / Fluid]	°K/W		2.1 / 0.61 / -
Thermal Time Constant [Passive cooling / Fan / Fluid]	s		1400 / 410 / -
Mechanical Data			
Slider Length	mm (in)		800 (31)
Slider Mass	g (lb)		1790 (3.94)



Item	Description	Item-No.
<b>PS01-37x240-C</b>	Stator with IP67 Connector M23/9(m)	0150-1224
<b>PS01-37x240</b>	Stator, 1.5m Cable, Connector P/10(m)	0150-1203
<b>PS01-37x240-C20</b>	Stator, 0.2m Cable, IP67 St. M23/9(m)	0150-1238
<b>PL01-20x800/740-LC</b>	Slider 'standard LC'	0150-2566
<b>PL02-20x800/740-LC</b>	Slider 'heavy duty LC'	0150-2578

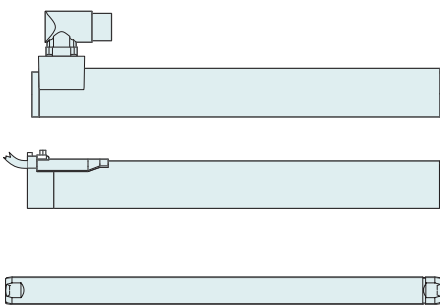
**P01-37x240/580x780-LC**

**Max. Stroke:** 780 mm  
**Peak Force:** 203 N



Dimensions in mm  
 \*Cable Type

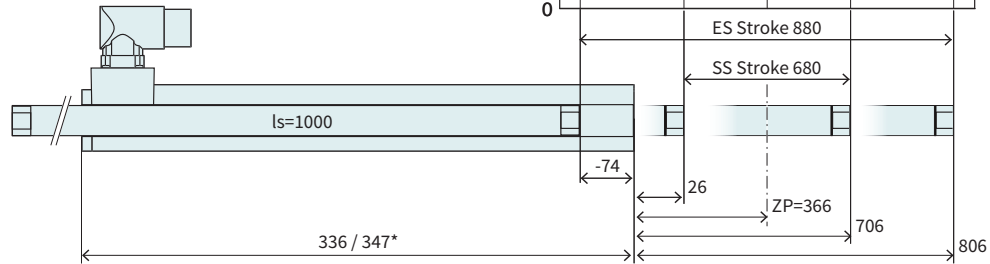
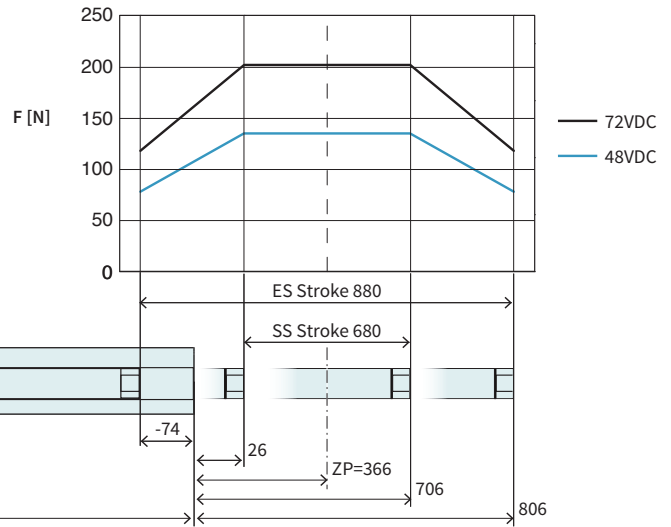
Technical Data P01-37x240/580x780-LC			
<b>Stroke</b>			
Standard Stroke (SS)	mm (in)	580 (22.8)	
Extended Stroke (ES)	mm (in)	780 (30.69)	
<b>Force</b>			
Max. Force @ 48VDC	N (lbf)	136 (30.5)	
Max. Force @ 72VDC	N (lbf)	203 (45.7)	
Max. Cont. Force [Passive cooling / Fan / Fluid]	N (lbf)	52 / 96 / -	(12 / 22 / -)
Max. Border Force relative	%	58	
Force Constant	N/A <sub>pk</sub> (lbf/A <sub>pk</sub> )	40.8 (9.17)	
<b>Velocity</b>			
Max. Velocity @ 48VDC	m/s (in/s)	1.1 (42.9)	
Max. Velocity @ 72VDC	m/s (in/s)	1.6 (63.9)	
<b>Position Detection</b>			
Repeatability	mm (in)	±0.05 (±0.002)	
Linearity	%	± 0.15	
<b>Electrical Data</b>			
Max. Current @ 48VDC	A <sub>pk</sub>	3.3	
Max. Current @ 72VDC	A <sub>pk</sub>	4.9	
Max. Cont. Current [Passive cooling / Fan / Fluid]	A <sub>pk</sub>	1.3 / 2.3 / -	
<b>Thermal Data</b>			
Max. Winding Temperature (Sensor)	°C	90	
Thermal Resistance [Passive cooling / Fan / Fluid]	°K/W	2.1 / 0.61 / -	
Thermal Time Constant [Passive cooling / Fan / Fluid]	s	1400 / 410 / -	
<b>Mechanical Data</b>			
Slider Length	mm (in)	900 (35)	
Slider Mass	g (lb)	2020 (4.44)	



Item	Description	Item-No.
<b>PS01-37x240-C</b>	Stator with IP67 Connector M23/9(m)	0150-1224
<b>PS01-37x240</b>	Stator, 1.5m Cable, Connector P/10(m)	0150-1203
<b>PS01-37x240-C20</b>	Stator, 0.2m Cable, IP67 St. M23/9(m)	0150-1238
<b>PL01-20x900/840-LC</b>	Slider 'standard LC'	0150-2567
<b>PL02-20x900/840-LC</b>	Slider 'heavy duty LC'	0150-2579

**P01-37x240/680x880-LC**

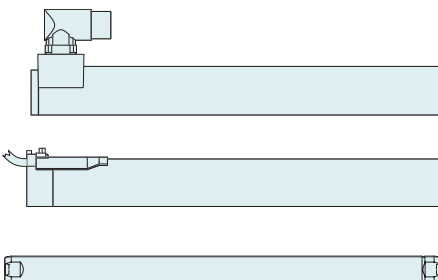
**Max. Stroke:** 880 mm  
**Peak Force:** 203 N



Dimensions in mm  
 \*Cable Type

Technical Data P01-37x240/680x880-LC

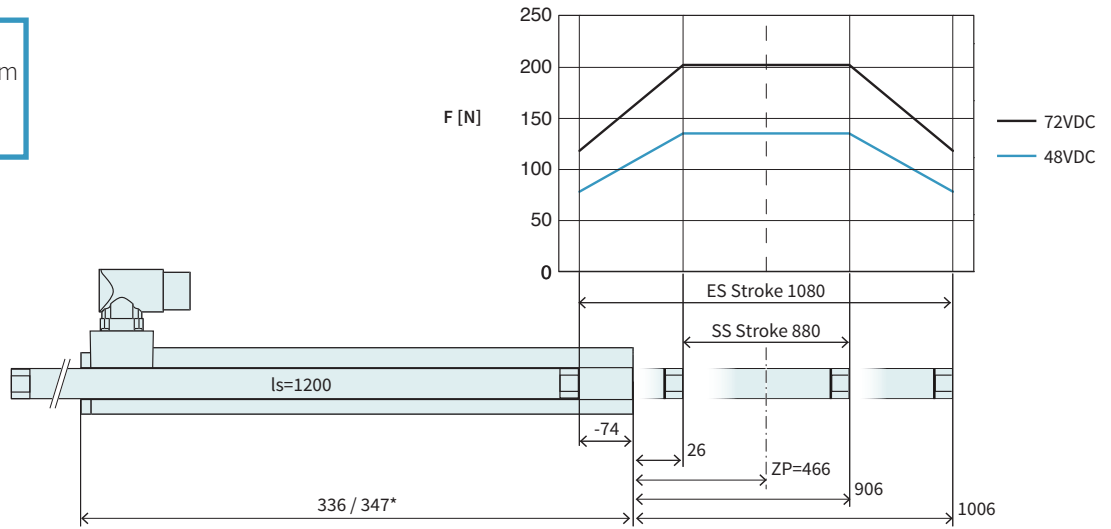
Stroke			
Standard Stroke (SS)	mm (in)		680 (26.8)
Extended Stroke (ES)	mm (in)		880 (34.6)
Force			
Max. Force @ 48VDC	N (lbf)		136 (30.5)
Max. Force @ 72VDC	N (lbf)		203 (45.7)
Max. Cont. Force [Passive cooling / Fan / Fluid]	N (lbf)		52 / 96 / - (12 / 22 / -)
Max. Border Force relative	%		58
Force Constant	N/A <sub>pk</sub> (lbf/A <sub>pk</sub> )		40.8 (9.17)
Velocity			
Max. Velocity @ 48VDC	m/s (in/s)		1.1 (42.9)
Max. Velocity @ 72VDC	m/s (in/s)		1.6 (63.9)
Position Detection			
Repeatability	mm (in)		±0.05 (±0.002)
Linearity	%		± 0.15
Electrical Data			
Max. Current @ 48VDC	A <sub>pk</sub>		3.3
Max. Current @ 72VDC	A <sub>pk</sub>		4.9
Max. Cont. Current [Passive cooling / Fan / Fluid]	A <sub>pk</sub>		1.3 / 2.3 / -
Thermal Data			
Max. Winding Temperature (Sensor)	°C		90
Thermal Resistance [Passive cooling / Fan / Fluid]	°K/W		2.1 / 0.61 / -
Thermal Time Constant [Passive cooling / Fan / Fluid]	s		1400 / 410 / -
Mechanical Data			
Slider Length	mm (in)		1000 (39)
Slider Mass	g (lb)		2230 (4.91)



Item	Description	Item-No.
<b>PS01-37x240-C</b>	Stator with IP67 Connector M23/9(m)	0150-1224
<b>PS01-37x240</b>	Stator, 1.5m Cable, Connector P/10(m)	0150-1203
<b>PS01-37x240-C20</b>	Stator, 0.2m Cable, IP67 St. M23/9(m)	0150-1238
<b>PL01-20x1000/940-LC</b>	Slider 'standard LC'	0150-2568

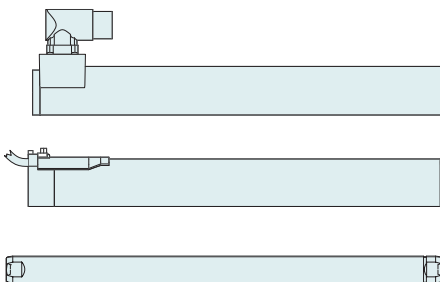
**P01-37x240/880x1080-LC**

**Max. Stroke:** 1080 mm  
**Peak Force:** 203 N



Dimensions in mm  
 \*Cable Type

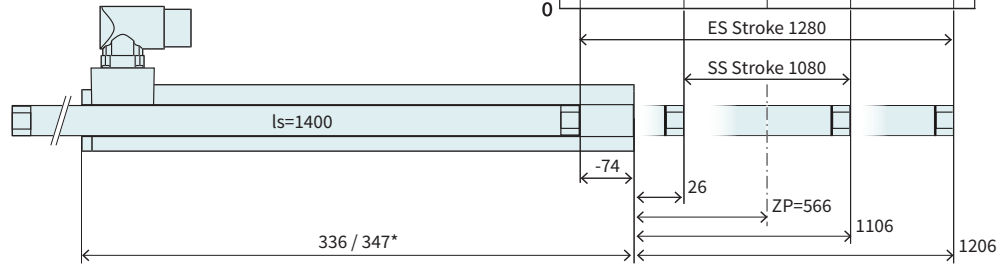
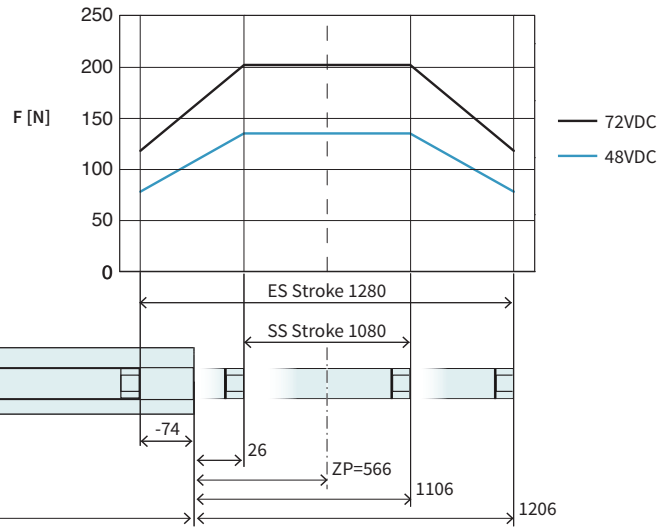
Technical Data P01-37x240/880x1080-LC			
<b>Stroke</b>			
Standard Stroke (SS)	mm (in)	880 (34.6)	
Extended Stroke (ES)	mm (in)	1080 (42.49)	
<b>Force</b>			
Max. Force @ 48VDC	N (lbf)	136 (30.5)	
Max. Force @ 72VDC	N (lbf)	203 (45.7)	
Max. Cont. Force [Passive cooling / Fan / Fluid]	N (lbf)	52 / 96 / - (12 / 22 / -)	
Max. Border Force relative	%	58	
Force Constant	N/A <sub>pk</sub> (lbf/A <sub>pk</sub> )	40.8 (9.17)	
<b>Velocity</b>			
Max. Velocity @ 48VDC	m/s (in/s)	1.1 (42.9)	
Max. Velocity @ 72VDC	m/s (in/s)	1.6 (63.9)	
<b>Position Detection</b>			
Repeatability	mm (in)	±0.05 (±0.002)	
Linearity	%	± 0.15	
<b>Electrical Data</b>			
Max. Current @ 48VDC	A <sub>pk</sub>	3.3	
Max. Current @ 72VDC	A <sub>pk</sub>	4.9	
Max. Cont. Current [Passive cooling / Fan / Fluid]	A <sub>pk</sub>	1.3 / 2.3 / -	
<b>Thermal Data</b>			
Max. Winding Temperature (Sensor)	°C	90	
Thermal Resistance [Passive cooling / Fan / Fluid]	*K/W	2.1 / 0.61 / -	
Thermal Time Constant [Passive cooling / Fan / Fluid]	s	1400 / 410 / -	
<b>Mechanical Data</b>			
Slider Length	mm (in)	1200 (47)	
Slider Mass	g (lb)	2690 (5.92)	



Item	Description	Item-No.
<b>PS01-37x240-C</b>	Stator with IP67 Connector M23/9(m)	0150-1224
<b>PS01-37x240</b>	Stator, 1.5m Cable, Connector P/10(m)	0150-1203
<b>PS01-37x240-C20</b>	Stator, 0.2m Cable, IP67 St. M23/9(m)	0150-1238
<b>PL01-20x1200/1140-LC</b>	Slider 'standard LC'	0150-2569

**P01-37x240/1080x1280-LC**

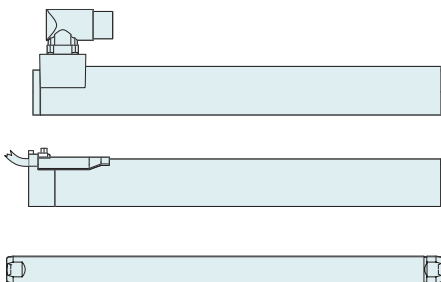
**Max. Stroke:** 1280 mm  
**Peak Force:** 203 N



Dimensions in mm  
 \*Cable Type

Technical Data P01-37x240/1080x1280-LC

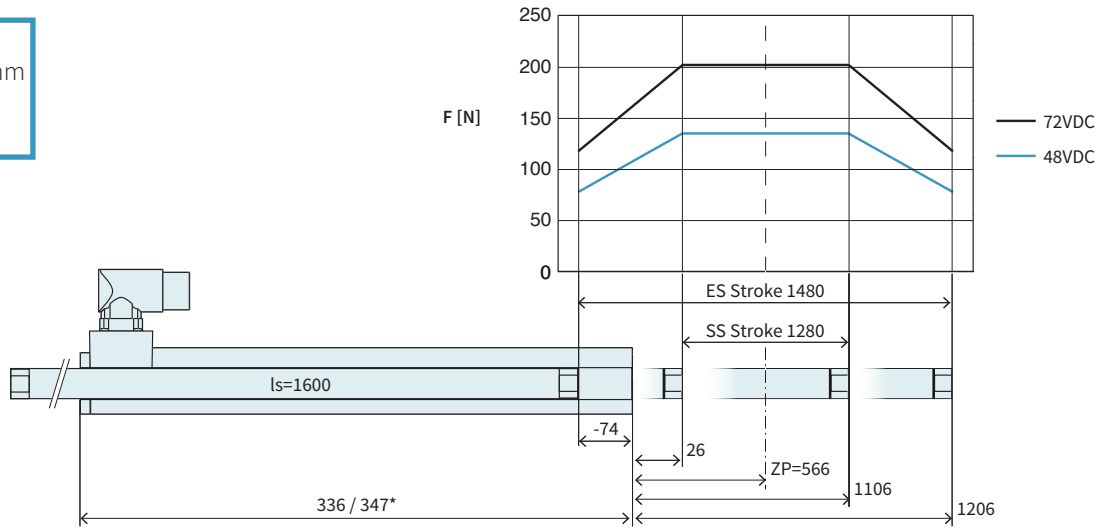
Stroke			
Standard Stroke (SS)	mm (in)	1080	(42.49)
Extended Stroke (ES)	mm (in)	1280	(50.39)
Force			
Max. Force @ 48VDC	N (lbf)	136	(30.5)
Max. Force @ 72VDC	N (lbf)	203	(45.7)
Max. Cont. Force [Passive cooling / Fan / Fluid]	N (lbf)	52 / 96 / -	(12 / 22 / -)
Max. Border Force relative	%	58	
Force Constant	N/A <sub>pk</sub> (lbf/A <sub>pk</sub> )	40.8	(9.17)
Velocity			
Max. Velocity @ 48VDC	m/s (in/s)	1.1	(42.9)
Max. Velocity @ 72VDC	m/s (in/s)	1.6	(63.9)
Position Detection			
Repeatability	mm (in)	±0.05	(±0.002)
Linearity	%	± 0.15	
Electrical Data			
Max. Current @ 48VDC	A <sub>pk</sub>	3.3	
Max. Current @ 72VDC	A <sub>pk</sub>	4.9	
Max. Cont. Current [Passive cooling / Fan / Fluid]	A <sub>pk</sub>	1.3 / 2.3 / -	
Thermal Data			
Max. Winding Temperature (Sensor)	°C	90	
Thermal Resistance [Passive cooling / Fan / Fluid]	°K/W	2.1 / 0.61 / -	
Thermal Time Constant [Passive cooling / Fan / Fluid]	s	1400 / 410 / -	
Mechanical Data			
Slider Length	mm (in)	1400	(55)
Slider Mass	g (lb)	3160	(6.95)



Item	Description	Item-No.
<b>PS01-37x240-C</b>	Stator with IP67 Connector M23/9(m)	0150-1224
<b>PS01-37x240</b>	Stator, 1.5m Cable, Connector P/10(m)	0150-1203
<b>PS01-37x240-C20</b>	Stator, 0.2m Cable, IP67 St. M23/9(m)	0150-1238
<b>PL01-20x1400/1340-LC</b>	Slider 'standard LC'	0150-2570

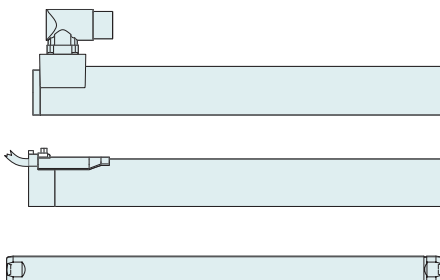
**P01-37x240/1280x1480-LC**

**Max. Stroke:** 1480 mm  
**Peak Force:** 203 N



Dimensions in mm  
 \*Cable Type

Technical Data P01-37x240/1280x1480-LC			
<b>Stroke</b>			
Standard Stroke (SS)	mm (in)		1280 (50.39)
Extended Stroke (ES)	mm (in)		1480 (58.29)
<b>Force</b>			
Max. Force @ 48VDC	N (lbf)		136 (30.5)
Max. Force @ 72VDC	N (lbf)		203 (45.7)
Max. Cont. Force [Passive cooling/ Fan / Fluid]	N (lbf)		52 / 96 / - (12 / 22 / -)
Max. Border Force relative	%		58
Force Constant	N/A <sub>pk</sub> (lbf/A <sub>pk</sub> )		40.8 (9.17)
<b>Velocity</b>			
Max. Velocity @ 48VDC	m/s (in/s)		1.1 (42.9)
Max. Velocity @ 72VDC	m/s (in/s)		1.6 (63.9)
<b>Position Detection</b>			
Repeatability	mm (in)		±0.05 (±0.002)
Linearity	%		± 0.15
<b>Electrical Data</b>			
Max. Current @ 48VDC	A <sub>pk</sub>		3.3
Max. Current @ 72VDC	A <sub>pk</sub>		4.9
Max. Cont. Current [Passive cooling / Fan / Fluid]	A <sub>pk</sub>		1.3 / 2.3 / -
<b>Thermal Data</b>			
Max. Winding Temperature (Sensor)	°C		90
Thermal Resistance [Passive cooling / Fan / Fluid]	°K/W		2.1 / 0.61 / -
Thermal Time Constant [Passive cooling / Fan / Fluid]	s		1400 / 410 / -
<b>Mechanical Data</b>			
Slider Length	mm (in)		1600 (63)
Slider Mass	g (lb)		3620 (7.9)



Item	Description	Item-No.
<b>PS01-37x240-C</b>	Stator with IP67 Connector M23/9(m)	0150-1224
<b>PS01-37x240</b>	Stator, 1.5m Cable, Connector P/10(m)	0150-1203
<b>PS01-37x240-C20</b>	Stator, 0.2m Cable, IP67 St. M23/9(m)	0150-1238
<b>PL01-20x1600/1540-LC</b>	Slider 'standard LC'	0150-2571

**Linear Guides H01**



**HM01-37x240/60 | Linear Module 37x240 with 60 mm Stroke**

→	H-Guide	H01-37x286/60	H-Guide for P01-37x240, Stroke max 60mm	0150-5023
		H01-37x286/60-GF	H-Guide for P01-37x240, Stroke max 60mm	0150-5083
→	Stator	PS01-37x240-C	Stator with IP67 Connector M23/9(m)	0150-1224
		PS01-37x240	Stator, 1.5m Cable, Connector P/10(m)	0150-1203
		PS01-37x240-C20	Stator, 0.2m Cable, IP67 St. M23/9(m)	0150-1238
→	Slider	PL01-20x400/340-LC	Slider 'standard LC'	0150-2562

**HM01-37x240/160 | Linear Module 37x240 with 160 mm Stroke**

→	H-Guide	H01-37x286/160	H-Guide for P01-37x240, Stroke max 160mm	0150-5024
		H01-37x286/160-GF	H-Guide for P01-37x240, Stroke max 160mm	0150-5084
→	Stator	PS01-37x240-C	Stator with IP67 Connector M23/9(m)	0150-1224
		PS01-37x240	Stator, 1.5m Cable, Connector P/10(m)	0150-1203
		PS01-37x240-C20	Stator, 0.2m Cable, IP67 St. M23/9(m)	0150-1238
→	Slider	PL01-20x500/440-LC	Slider 'standard LC'	0150-2563

**HM01-37x240/260 | Linear Module 37x240 with 260 mm Stroke**

→	H-Guide	H01-37x286/260	H-Guide for P01-37x240, Stroke max 260mm	0150-5025
		H01-37x286/260-GF	H-Guide for P01-37x240, Stroke max 260mm	0150-5085
→	Stator	PS01-37x240-C	Stator with IP67 Connector M23/9(m)	0150-1224
		PS01-37x240	Stator, 1.5m Cable, Connector P/10(m)	0150-1203
		PS01-37x240-C20	Stator, 0.2m Cable, IP67 St. M23/9(m)	0150-1238
→	Slider	PL01-20x600/540-LC	Slider 'standard LC'	0150-2564

**Accessories**

→	Brake	HB01-37	Pneumatic brake for H01-37 guides	0150-5052
→	Fan	HV01-37/48	Fan cooling for H01-37/48 & PF02-37/48	0150-5051
→	MagSpring	MF01-37/H37	Flange MagSpring 37 / H-Guide 23/37/48	0250-2307
		MA01-37/H37	Adapter MagSpring 37&20 / H-Guide 37	0250-0117
→	Centering sleeve	HC01-09/04	Centering sleeve D9x4 mm	0150-3251
→	Wipers	HA01-27/20-F	Wiper for H01-37 guides, front side	0150-5108

FIND MORE PRODUCT DETAILS IN THE CHAPTER "LINEAR GUIDES".



**Bridge Guide B01**



**BM01-37x240/140 Bridge Module 37x240 with 140 mm Stroke <sup>1)</sup>**

→	B-Guide	B01-37x286/140	B-Guide for P01-37x240, Stroke max 140mm	0150-5144
		B01-37x286/140-GF	B-Guide for P01-37x240, Stroke max 140mm	0150-5147
→	Stator	PS01-37x240-C	Stator with IP67 Connector M23/9(m)	0150-1224
		PS01-37x240	Stator, 1.5m Cable, Connector P/10(m)	0150-1203
		PS01-37x240-C20	Stator, 0.2m Cable, IP67 St. M23/9(m)	0150-1238
→	Slider	PL01-19x500/420	Slider 'high clearance' B01-37x286/140	0150-1455

**BM01-37x240/240 Bridge Module 37x240 with 240 mm Stroke <sup>1)</sup>**

→	B-Guide	B01-37x286/240	B-Guide for P01-37x240, Stroke max 240mm	0150-5145
		B01-37x286/240-GF	B-Guide for P01-37x240, Stroke max 240mm	0150-5148
→	Stator	PS01-37x240-C	Stator with IP67 Connector M23/9(m)	0150-1224
		PS01-37x240	Stator, 1.5m Cable, Connector P/10(m)	0150-1203
		PS01-37x240-C20	Stator, 0.2m Cable, IP67 St. M23/9(m)	0150-1238
→	Slider	PL01-19x600/520	Slider 'high clearance'	0150-1456

**BM01-37x240/340 Bridge Module 37x240 with 340 mm Stroke <sup>1)</sup>**

→	B-Guide	B01-37x286/340	B-Guide for P01-37x240, Stroke max 340mm	0150-5146
		B01-37x286/340-GF	B-Guide for P01-37x240, Stroke max 340mm	0150-5149
→	Stator	PS01-37x240-C	Stator with IP67 Connector M23/9(m)	0150-1224
		PS01-37x240	Stator, 1.5m Cable, Connector P/10(m)	0150-1203
		PS01-37x240-C20	Stator, 0.2m Cable, IP67 St. M23/9(m)	0150-1238
→	Slider	PL01-19x700/620	Slider 'high clearance'	0150-1457

**Accessories**

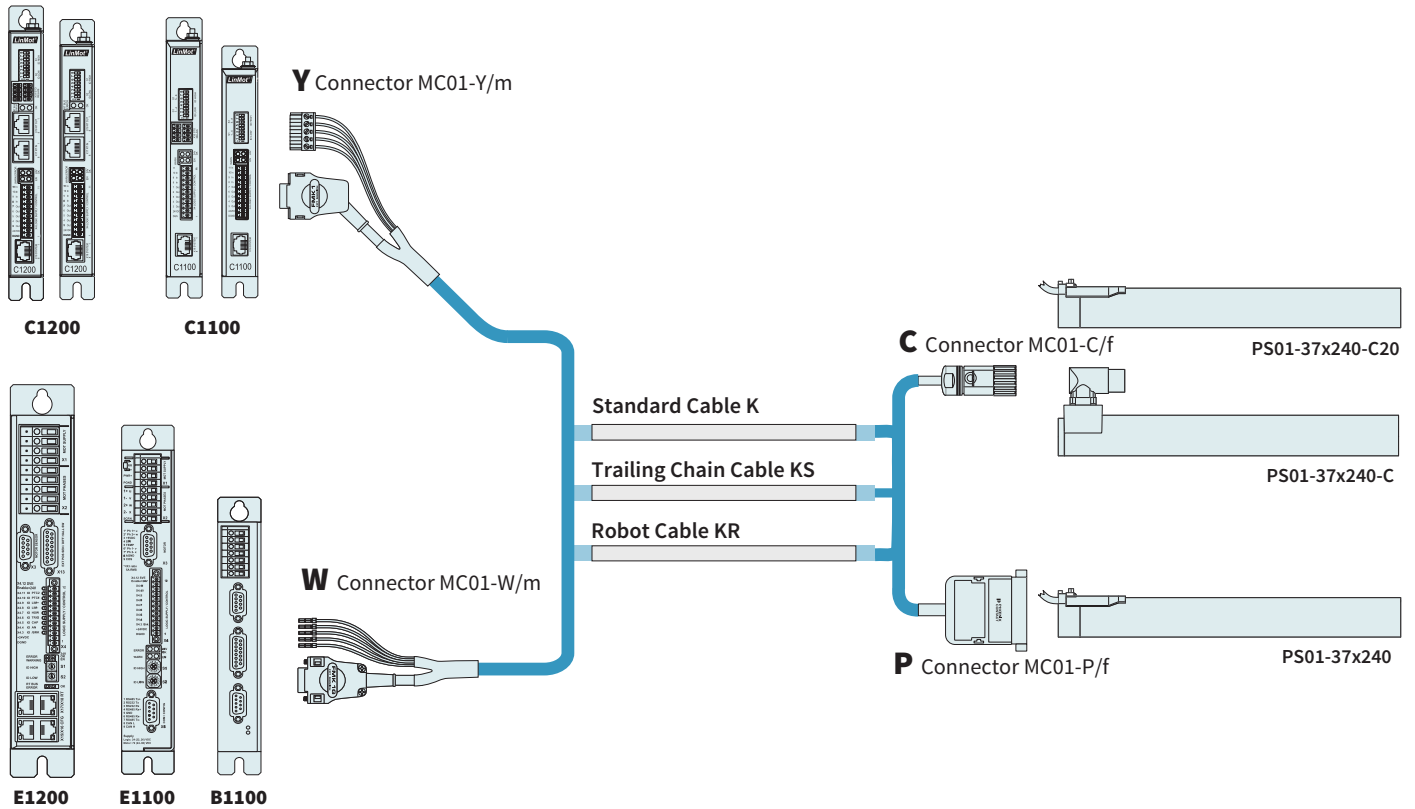
→	Brake	HB01-37	Pneumatic Brake for H01-37/600N (4-6Bar)	0150-5052
→	Fan	HV01-37/48	Fan cooling for H01-37/48 & PF02-37/48	0150-5051
→	MagSpring	MF01-37/H37	Flange MagSpring 37 / H-Guide 23/37/48	0250-2307
		MA01-37/H37	Adapter MagSpring 37&20 / H-Guide 37	0250-0117
→	Centering sleeve	HC01-09/04	Centering sleeve D9x4 mm	0150-3251
→	Wipers	HA01-27/20-F	Wiper for H01-37 guides, front side	0150-5108

<sup>1)</sup> The stroke is reduced by 18mm when using cable models.

FIND MORE PRODUCT DETAILS IN THE CHAPTER "LINEAR GUIDES".

**Motor Cable**

3



**ORDERING INFORMATION**

STANDARD CABLE

Item	Description	Item-No.
<b>K05-W/C-2</b>	Motor Cable W/C, 2 m	0150-2123
<b>K05-W/C-4</b>	Motor Cable W/C, 4 m	0150-2124
<b>K05-W/C-6</b>	Motor Cable W/C, 6 m	0150-2125
<b>K05-W/C-8</b>	Motor Cable W/C, 8 m	0150-2126
<b>K05-W/C-</b>	Motor Cable W/C, Custom length	0150-3263
<b>K05-W/P</b>	Motor Cable W/P, Custom length	0150-3113
<b>K05-Y/C-2</b>	Motor Cable Y/R, 2 m	0150-2425
<b>K05-Y/C-4</b>	Motor Cable Y/R, 4 m	0150-2426
<b>K05-Y/C-6</b>	Motor Cable Y/R, 6 m	0150-2427
<b>K05-Y/C-8</b>	Motor Cable Y/R, 8 m	0150-2428
<b>K05-Y-Fe/C-</b>	Motor Cable Y-Fe/R, Custom length	0150-3502

TRAILING CHAIN CABLE		
Item	Description	Item-No.
<b>KS05-W/C-4</b>	Trailing Chain Cable W/C, 4 m	0150-2127
<b>KS05-W/C-6</b>	Trailing Chain Cable W/C, 6 m	0150-2128
<b>KS05-W/C-8</b>	Trailing Chain Cable W/C, 8 m	0150-2129
<b>KS05-W/C-</b>	Trailing Chain Cable W/C, Custom length	0150-3204
<b>KS05-W/P-</b>	Trailing Chain Cable W/P, Custom length	0150-3114
<b>KS05-Y/C-4</b>	Trailing Chain Cable Y/C, 4 m	0150-2436
<b>KS05-Y/C-6</b>	Trailing Chain Cable Y/C, 6 m	0150-2437
<b>KS05-Y/C-8</b>	Trailing Chain Cable Y/C, 8 m	0150-2438
<b>KS05-Y-Fe/C-</b>	Trailing Chain Cable Y-Fe/C, Custom length	0150-3508

ROBOT CABLE		
Item	Description	Item-No.
<b>KR05-W/C-</b>	Robot Cable KR05-W/C, Custom length	0150-3644
<b>KR05-Y-Fe/C-</b>	Robot Cable KR05-Y-Fe/C, Custom length	0150-3513

CONNECTOR & CABLE (INDIVIDUAL)		
Item	Description	Item-No.
<b>MC01-W/m</b>	Motor Connector W/m	0150-3140
<b>MC01-Y-Fe/m</b>	Motor Connector Y-Fe/m	0150-3289
<b>MC01-C/f</b>	Motor Connector C/f	0150-3080
<b>MC01-P/f</b>	Motor Connector P/f	0150-3021
<b>K05-04/05</b>	Motor Cable per m	0150-1920
<b>KS05-04/05</b>	Trailing Chain Cable per m	0150-1938
<b>KR05-04/05</b>	Robot Cable per m	0150-1846

**MOTOR FLANGES**



Item	Description	Item-No.
PF02-37x200	Flange 37x200 mm	0150-1999

FIND MORE PRODUCT DETAILS IN THE CHAPTER "ACCESSORIES".

**FANS**



Item	Description	Item-No.
HV01-37/48	Fan cooling for H01-37/48 & PF02-37/48	0150-5051

FIND MORE PRODUCT DETAILS IN THE CHAPTER "ACCESSORIES".

**SLIDER MOUNTING**



Item	Description	Item-No.
PLF01-20	Fixed Bearing Set for 19mm and 20mm Slider	0150-3083
PLF01-20-SS	Fixed Bearing Set for 19mm and 20mm Slider, Stainless steel	0150-3296
PLL01-19	Floating Bearing for PL01-19 Slider	0150-3335
PLL01-20	Floating Bearing for PL01-20 Slider	0150-3084
PLM01-20-MK	Mounting Kit for PL01-20 Slider	0150-3079

FIND MORE PRODUCT DETAILS IN THE CHAPTER "ACCESSORIES".

**WIPERS**



Item	Description	Item-No.
<b>PA01-37/19-F</b>	Wipers for PS01-37x...	0150-3225
<b>PA01-37/19-R</b>	Wipers for PS01-37x...-C	0150-3226
<b>PA01-37/19-R cable</b>	Wipers for PS01-37x... Cable Type	0150-3227
<b>PA01-37/20-F</b>	Wipers for PS01-37x...	0150-3126
<b>PA01-37/20-R</b>	Wipers for PS01-37x...-C Typ	0150-3201
<b>PA01-37/20-R cable</b>	Wipers for PS01-37x...-Cable Type	0150-3221

FIND MORE PRODUCT DETAILS IN THE CHAPTER "ACCESSORIES".

**EXTERNAL POSITION SENSORS**



Item	Description	Item-No.
<b>MS01-1/D</b>	Linear Encoder 1µm, A/B (for inc. strip)	0150-1840
<b>MB01-1000</b>	Magnetic incremental strip for MS01-1/D, per cm	0150-1963
<b>KS025-D/D-Encoder</b>	Encoder Cable (Length in m)	0150-3166
<b>KS025-D/D15-Encoder</b>	Encoder Cable (Length in m)	0150-3168

FIND MORE PRODUCT DETAILS IN THE CHAPTER "ACCESSORIES".



Item	Description	Item-No.
<b>MS01-1/D-SSI</b>	Linear Encoder 1µm, A/B (for absolute strip)	0150-2095
<b>MB01-1000-ABS</b>	Magnetic absolute strip for MS01-1/D-SSI (per cm)	0150-2096
<b>EC01-ABS/ENC-12-S</b>	MS01-1/D-SSI Encoder connector straight	0150-3616
<b>KSS01-12-D15/ABS-ENC</b>	Special cable for MS01-1/D-SSI on C1100/C1200/C1400/E1200/E1400 Drives	0150-3652

FIND MORE PRODUCT DETAILS IN THE CHAPTER "ACCESSORIES".

Dotted lines for notes.

# LINEAR MOTORS P01-37x240F



- ✓ Highly dynamic drives
- ✓ With a special F-winding for a higher maximum speed
- ✓ Wide stroke range
- ✓ Available with cable outlet or with rotatable connector
- ✓ Optional with air cooling
- ✓ Wide range of applications in handling modules as well as in plant and machine construction

## LINEAR MOTORS P01-37x240F

<b>Technical Data</b>	<b>295</b>
<b>Motor Specifications</b>	
P01-37x240F/80x120-LC	<b>298</b>
P01-37x240F/20x180-LC	<b>299</b>
P01-37x240F/80x280-LC	<b>300</b>
P01-37x240F/180x380-LC	<b>301</b>
P01-37x240F/280x480-LC	<b>302</b>
P01-37x240F/380x580-LC	<b>303</b>
P01-37x240F/480x680-LC	<b>304</b>
P01-37x240F/580x780-LC	<b>305</b>
P01-37x240F/680x880-LC	<b>306</b>
P01-37x240F/880x1080-LC	<b>307</b>
P01-37x240F/1080x1280-LC	<b>308</b>
P01-37x240F/1280x1480-LC	<b>309</b>
<b>Linear Guides</b>	<b>310</b>
<b>Accessories</b>	<b>312</b>

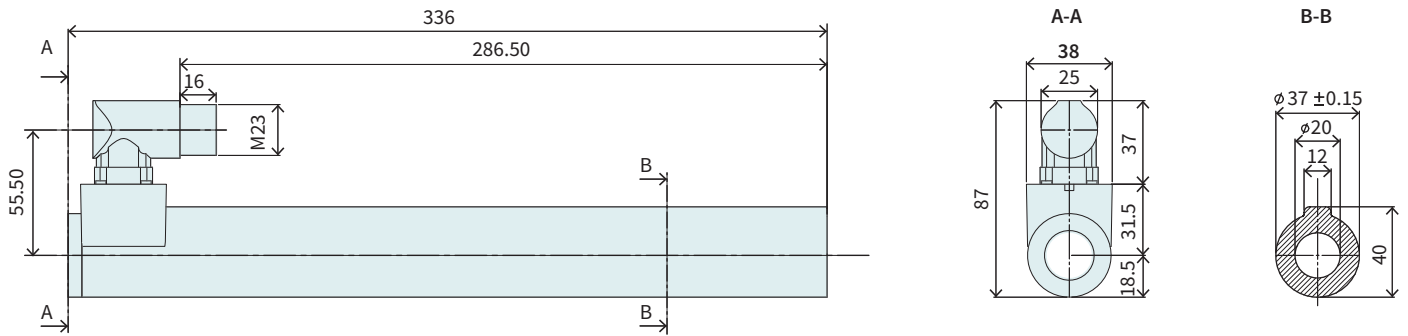




### MOTOR FAMILY P01-37x240F

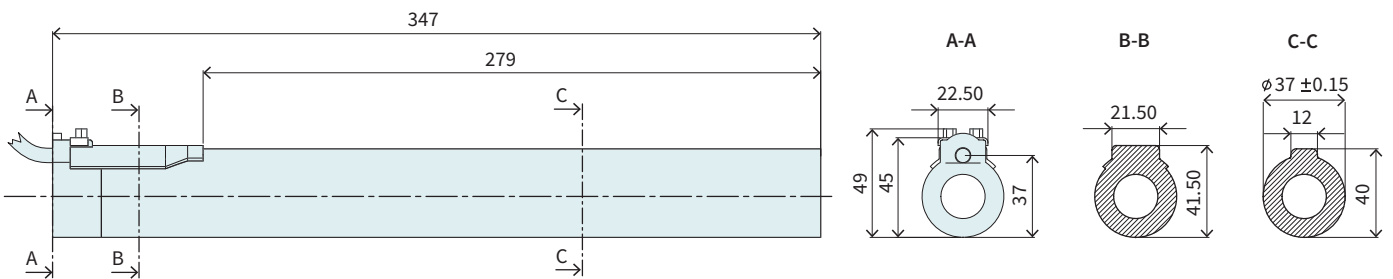
Technical Data				
<b>Stroke</b>				
Standard Stroke (SS)	mm	(in)	≤ 1280	(≤ 50.4)
Extended Stroke (ES)	mm	(in)	≤ 1480	(≤ 58.3)
<b>Force</b>				
Max. Force @ 48VDC	N	(lbf)	205	(46.2)
Max. Force @ 72VDC	N	(lbf)	308	(69.2)
Max. Cont. Force [Passive cooling / Fan / Fluid]	N	(lbf)	52 / 96 / -	(12 / 22 / -)
Max. Border Force relative			%	
			≤ 88	
Force Constant	N/A <sub>pk</sub>	(lbf/A <sub>pk</sub> )	25.8	(5.8)
<b>Velocity</b>				
Max. Velocity @ 48VDC	m/s	(in/s)	2.5	(99.9)
Max. Velocity @ 72VDC	m/s	(in/s)	3.8	(149.9)
<b>Position Detection</b>				
Position Resolution	mm	(in)	0.005	(0.0002)
Repeatability	mm	(in)	±0.05	(±0.002)
Position Resolution with ES	mm	(in)	0.001	(0.00004)
Repeatability with ES	mm	(in)	±0.01	(±0.0004)
Linearity with ES	mm	(in)	±0.01	(±0.0004)
<b>Electrical Data</b>				
Max. Current @ 48VDC	A <sub>pk</sub>		7.9	
Max. Current @ 72VDC	A <sub>pk</sub>		11.8	
Max. Cont. Current [Passive cooling / Fan / Fluid]	A <sub>pk</sub>		2 / 3.7 / -	
Terminal Resistance 25 °C / 120 °C	Ohm		4.9 / 6.7	
Terminal Inductivity	mH		2.4	
Magnetic Period	mm	(in)	40	(1.57)
<b>Thermal Data</b>				
Max. Winding Temperature (Sensor)	°C		90	
Thermal Resistance [Passive cooling / Fan / Fluid]	°K/W		2 / 0.58 / -	
Thermal Time Constant [Passive cooling / Fan / Fluid]	s		1300 / 390 / -	
<b>Mechanical Data</b>				
Stator Diameter	mm	(in)	37	(1.5)
Stator Length [Connector type / Cable type]	mm	(in)	336 / 347	(13 / 14)
Stator Mass	g	(lb)	1385	(3.05)
Slider Diameter	mm	(in)	20	(0.79)
Slider Length	mm	(in)	240 - 1600	(9.4 - 63)
Slider Mass	g	(lb)	490 - 3620	(1.08 - 7.96)
IP Code			IP 65	

**STATOR CONNECTOR TYPE**



Item	Description	Item-No.
<b>PS01-37x240F-C</b>	Stator with IP67 Connector M23/9(m)	0150-1225

**STATOR CABLE TYPE**

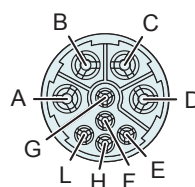


Item	Description	Item-No.
<b>PS01-37x240F</b>	Stator, 1.5m Cable, Connector P/10(m)	0150-1256
<b>PS01-37x240F-C20</b>	Stator, 0.2m Cable, IP67 St. M23/9(m)	0150-1239

**CONNECTOR**

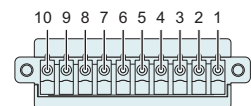
Motor Connector Wiring	PS01-37x240F-C PS01-37x240F-C20	PS01-37x240F	Wire color motor cable
	C-Connector	P-Connector	
Ph 1+	A	1	red
Ph 1-	B	2	pink
Ph 2+	C	3	blue
Ph 2-	D	4	grey
+5VDC	E	5	white
GND	F	6	inner shield
Sin	G	7	yellow
Cos	H	8	green
Temp.	L	9	black
Shield	Housing	10	outer Shield

**C-Connector**



View: Motor Connector, plug side

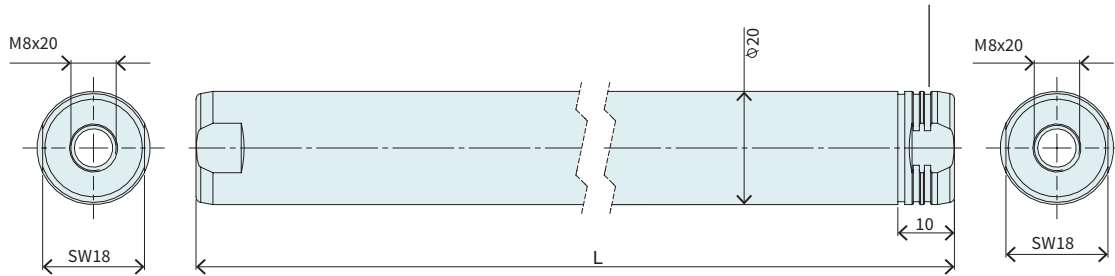
**P-Connector**



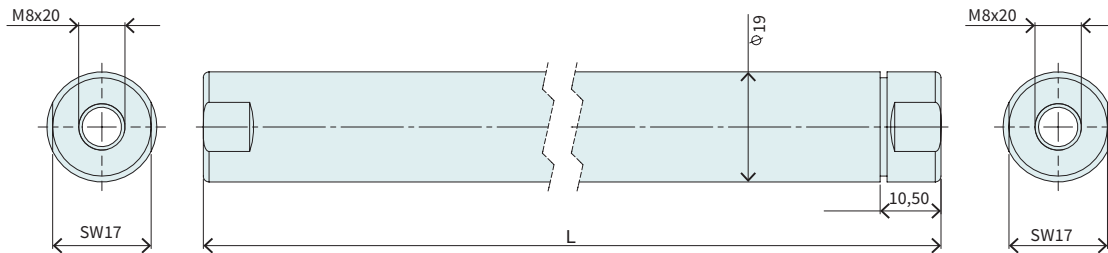
**SLIDER**

**Slider Standard / Heavy Duty**

Number of grooves determines the slider type (see chapter 2 / slider) and marks the front end.



**High-Clearance Slider**



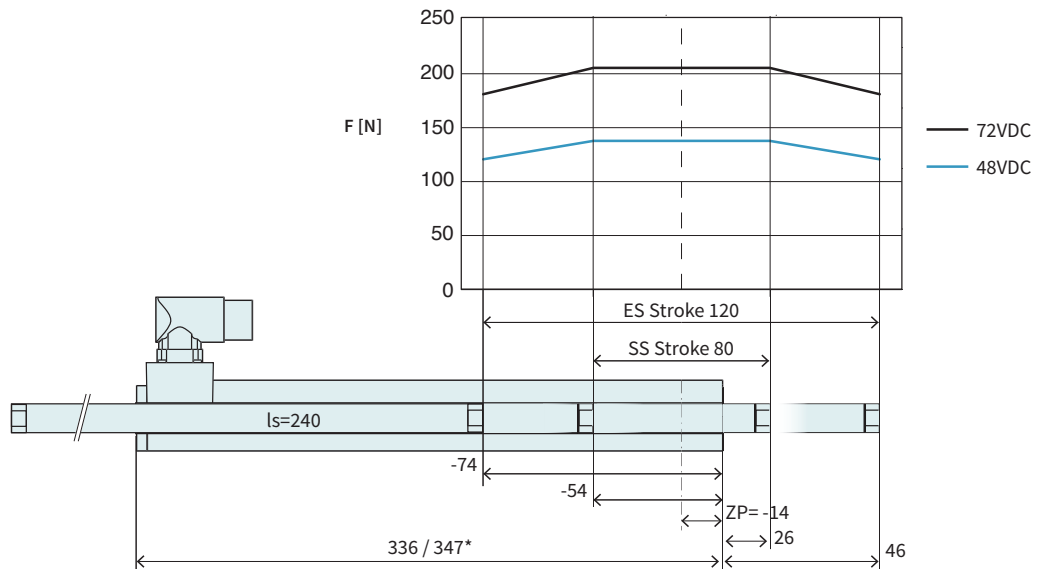
Slider Standard				
Item	Description	Max. Stroke [mm]	Standard Stroke [mm]	Item-No.
PL01-20x240/180-LC	Slider 'standard LC'	120	40	0150-2560
PL01-20x300/240-LC	Slider 'standard LC'	180	100	0150-2561
PL01-20x400/340-LC	Slider 'standard LC'	280	200	0150-2562
PL01-20x500/440-LC	Slider 'standard LC'	380	300	0150-2563
PL01-20x600/540-LC	Slider 'standard LC'	480	400	0150-2564
PL01-20x700/640-LC	Slider 'standard LC'	580	500	0150-2565
PL01-20x800/740-LC	Slider 'standard LC'	680	600	0150-2566
PL01-20x900/840-LC	Slider 'standard LC'	780	700	0150-2567
PL01-20x1000/940-LC	Slider 'standard LC'	880	800	0150-2568
PL01-20x1200/1140-LC	Slider 'standard LC'	1080	1000	0150-2569
PL01-20x1400/1340-LC	Slider 'standard LC'	1280	1200	0150-2570
PL01-20x1600/1540-LC	Slider 'standard LC'	1480	1400	0150-2571

Slider Heavy Duty				
Item	Description	Max. Stroke [mm]	Standard Stroke [mm]	Item-No.
PL02-20x240/180-LC	Slider 'heavy duty LC'	120	40	0150-2572
PL02-20x300/240-LC	Slider 'heavy duty LC'	180	100	0150-2573
PL02-20x400/340-LC	Slider 'heavy duty LC'	280	200	0150-2574
PL02-20x500/440-LC	Slider 'heavy duty LC'	380	300	0150-2575
PL02-20x600/540-LC	Slider 'heavy duty LC'	480	400	0150-2576
PL02-20x700/640-LC	Slider 'heavy duty LC'	580	500	0150-2577
PL02-20x800/740-LC	Slider 'heavy duty LC'	680	600	0150-2578
PL02-20x900/840-LC	Slider 'heavy duty LC'	780	700	0150-2579

High-Clearance Slider				
Item	Description	Max. Stroke [mm]	Standard Stroke [mm]	Item-No.
PL01-19x240/160	Slider 'high clearance'	100	80	0150-1448
PL01-19x300/220	Slider 'high clearance'	160	140	0150-1449
PL01-19x395/320	Slider 'high clearance'	260	240	0150-1452
PL01-19x500/420	Slider 'high clearance'	360	340	0150-1455
PL01-19x600/520	Slider 'high clearance'	460	440	0150-1456
PL01-19x700/620	Slider 'high clearance'	560	540	0150-1457

**P01-37x240F/80x120-LC**

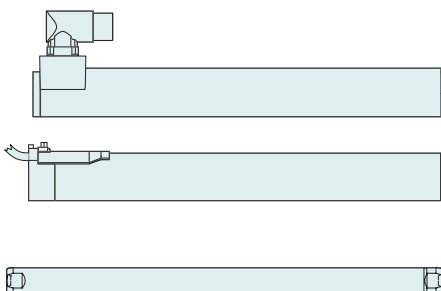
**Max. Stroke:** 120 mm  
**Peak Force:** 205 N



Dimensions in mm  
 \*Cable Type

Technical Data P01-37x240F/80x120-LC

Stroke			
Standard Stroke (SS)	mm (in)	80	(3.14)
Extended Stroke (ES)	mm (in)	120	(4.71)
Force			
Max. Force @ 48VDC	N (lbf)	137	(30.8)
Max. Force @ 72VDC	N (lbf)	205	(46.2)
Max. Cont. Force [Passive cooling / Fan / Fluid]	N (lbf)	35 / 64 / -	(7.8 / 14 / -)
Max. Border Force relative	%	88	
Force Constant	N/A <sub>pk</sub> (lbf/A <sub>pk</sub> )	17.2	(3.87)
Velocity			
Max. Velocity @ 48VDC	m/s (in/s)	2.5	(99.9)
Max. Velocity @ 72VDC	m/s (in/s)	3.8	(149.9)
Position Detection			
Repeatability	mm (in)	±0.05	(±0.002)
Linearity	%	± 0.5	
Electrical Data			
Max. Current @ 48VDC	A <sub>pk</sub>	7.9	
Max. Current @ 72VDC	A <sub>pk</sub>	11.8	
Max. Cont. Current [Passive cooling / Fan / Fluid]	A <sub>pk</sub>	2 / 3.7 / -	
Thermal Data			
Max. Winding Temperature (Sensor)	°C	90	
Thermal Resistance [Passive cooling / Fan / Fluid]	°K/W	2 / 0.58 / -	
Thermal Time Constant [Passive cooling / Fan / Fluid]	s	1300 / 390 / -	
Mechanical Data			
Slider Length	mm (in)	240	(9.4)
Slider Mass	g (lb)	490	(1.08)

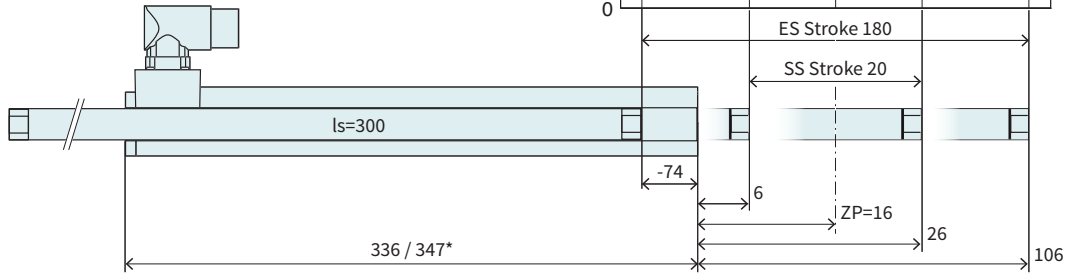
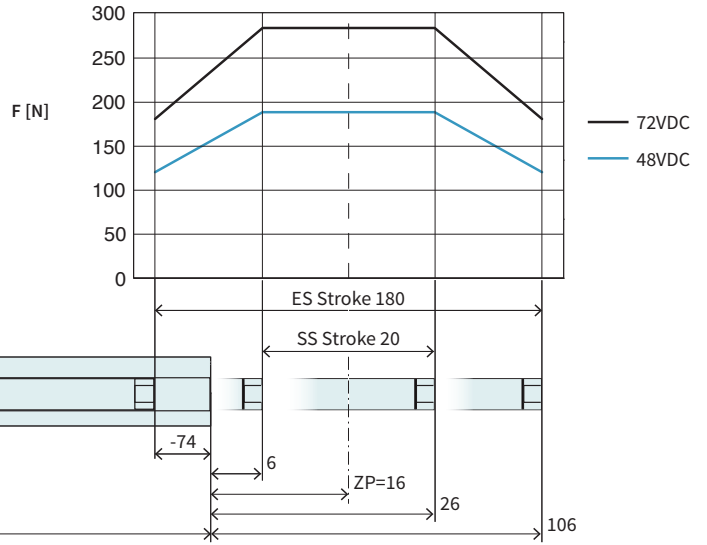


Item	Description	Item-No.
<b>PS01-37x240F-C</b>	Stator with IP67 Connector M23/9(m)	0150-1225
<b>PS01-37x240F-C20</b>	Stator, 0.2m Cable, IP67 St. M23/9(m)	0150-1239
<b>PL01-20x240/180-LC</b>	Slider 'standard LC'	0150-2560
<b>PL02-20x240/180-LC</b>	Slider 'heavy duty LC'	0150-2572
<b>PL01-19x240/160*</b>	Slider 'high clearance'	0150-1448

\* With this slider, the motor specifications above change.

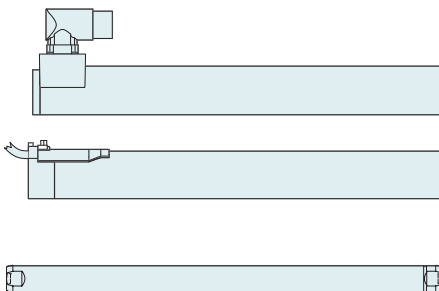
**P01-37x240F/20x180-LC**

**Max. Stroke:** 180 mm  
**Peak Force:** 282 N



Dimensions in mm  
 \*Cable Type

Technical Data P01-37x240F/20x180-LC			
<b>Stroke</b>			
Standard Stroke (SS)	mm (in)	20 (0.78)	
Extended Stroke (ES)	mm (in)	180 (7.08)	
<b>Force</b>			
Max. Force @ 48VDC	N (lbf)	188 (42.3)	
Max. Force @ 72VDC	N (lbf)	282 (63.5)	
Max. Cont. Force [Passive cooling / Fan / Fluid]	N (lbf)	48 / 88 / - (11 / 20 / -)	
Max. Border Force relative	%	64	
Force Constant	N/A <sub>pk</sub> (lbf/A <sub>pk</sub> )	23.6 (5.32)	
<b>Velocity</b>			
Max. Velocity @ 48VDC	m/s (in/s)	1.8 (73.9)	
Max. Velocity @ 72VDC	m/s (in/s)	2.7 (109.9)	
<b>Position Detection</b>			
Repeatability	mm (in)	±0.05 (±0.002)	
Linearity	%	± 0.4	
<b>Electrical Data</b>			
Max. Current @ 48VDC	A <sub>pk</sub>	7.9	
Max. Current @ 72VDC	A <sub>pk</sub>	11.8	
Max. Cont. Current [Passive cooling / Fan / Fluid]	A <sub>pk</sub>	2 / 3.7 / -	
<b>Thermal Data</b>			
Max. Winding Temperature (Sensor)	°C	90	
Thermal Resistance [Passive cooling / Fan / Fluid]	*K/W	2 / 0.58 / -	
Thermal Time Constant [Passive cooling / Fan / Fluid]	s	1300 / 390 / -	
<b>Mechanical Data</b>			
Slider Length	mm (in)	300 (12)	
Slider Mass	g (lb)	630 (1.39)	

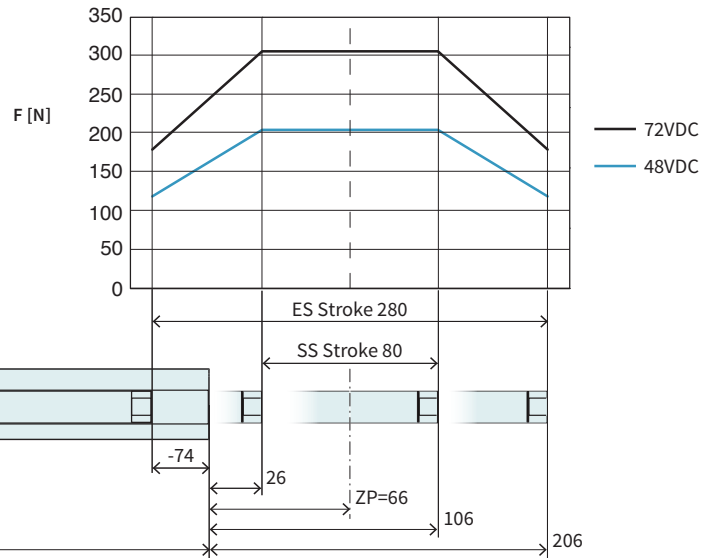


Item	Description	Item-No.
<b>PS01-37x240F-C</b>	Stator with IP67 Connector M23/9(m)	0150-1225
<b>PS01-37x240F-C20</b>	Stator, 0.2m Cable, IP67 St. M23/9(m)	0150-1239
<b>PL01-20x300/240-LC</b>	Slider 'standard LC'	0150-2561
<b>PL02-20x300/240-LC</b>	Slider 'heavy duty LC'	0150-2573
<b>PL01-19x300/220*</b>	Slider 'high clearance'	0150-1449

\* With this slider, the motor specifications above change.

**P01-37x240F/80x280-LC**

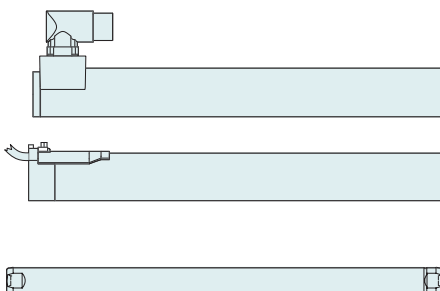
**Max. Stroke:** 280 mm  
**Peak Force:** 308 N



Dimensions in mm  
 \*Cable Type

Technical Data P01-37x240F/80x280-LC

Stroke			
Standard Stroke (SS)	mm (in)	80	(3.14)
Extended Stroke (ES)	mm (in)	280	(10.99)
Force			
Max. Force @ 48VDC	N (lbf)	205	(46.2)
Max. Force @ 72VDC	N (lbf)	308	(69.2)
Max. Cont. Force [Passive cooling / Fan / Fluid]	N (lbf)	52 / 96 / -	(12 / 22 / -)
Max. Border Force relative	%	58	
Force Constant	N/A <sub>pk</sub> (lbf/A <sub>pk</sub> )	25.8	(5.8)
Velocity			
Max. Velocity @ 48VDC	m/s (in/s)	1.6	(66.9)
Max. Velocity @ 72VDC	m/s (in/s)	2.5	(99.9)
Position Detection			
Repeatability	mm (in)	±0.05	(±0.002)
Linearity	%	± 0.3	
Electrical Data			
Max. Current @ 48VDC	A <sub>pk</sub>	7.9	
Max. Current @ 72VDC	A <sub>pk</sub>	11.8	
Max. Cont. Current [Passive cooling / Fan / Fluid]	A <sub>pk</sub>	2 / 3.7 / -	
Thermal Data			
Max. Winding Temperature (Sensor)	°C	90	
Thermal Resistance [Passive cooling / Fan / Fluid]	°K/W	2 / 0.58 / -	
Thermal Time Constant [Passive cooling / Fan / Fluid]	s	1300 / 390 / -	
Mechanical Data			
Slider Length	mm (in)	400	(16)
Slider Mass	g (lb)	860	(1.9)

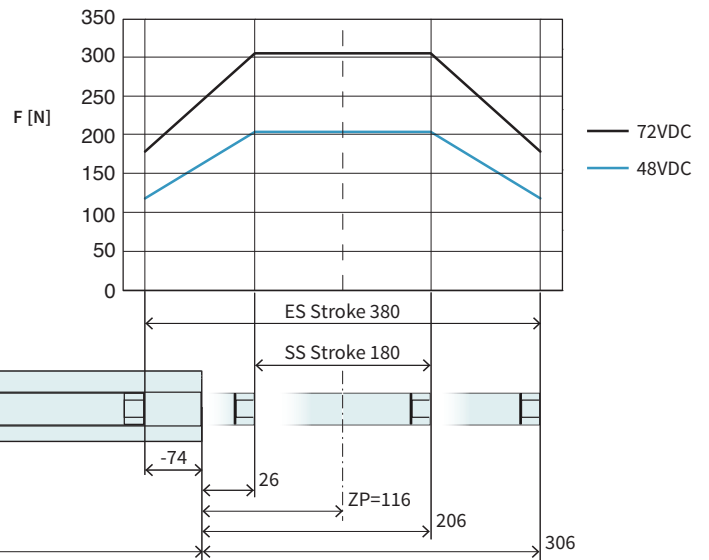


Item	Description	Item-No.
<b>PS01-37x240F-C</b>	Stator with IP67 Connector M23/9(m)	0150-1225
<b>PS01-37x240F-C20</b>	Stator, 0.2m Cable, IP67 St. M23/9(m)	0150-1239
<b>PL01-20x400/340-LC</b>	Slider 'standard LC'	0150-2562
<b>PL02-20x400/340-LC</b>	Slider 'heavy duty LC'	0150-2574
<b>PL01-19x395/320*</b>	Slider 'high clearance'	0150-1452

\* With this slider, the motor specifications above change.

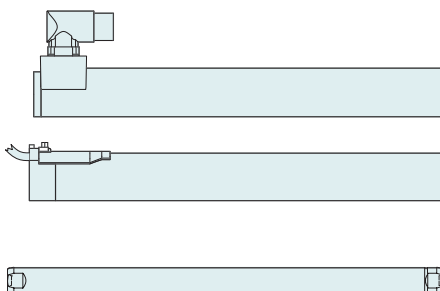
**P01-37x240F/180x380-LC**

**Max. Stroke:** 380 mm  
**Peak Force:** 308 N



Dimensions in mm  
 \*Cable Type

Technical Data P01-37x240F/180x380-LC			
<b>Stroke</b>			
Standard Stroke (SS)	mm (in)	180 (7.08)	
Extended Stroke (ES)	mm (in)	380 (14.99)	
<b>Force</b>			
Max. Force @ 48VDC	N (lbf)	205 (46.2)	
Max. Force @ 72VDC	N (lbf)	308 (69.2)	
Max. Cont. Force [Passive cooling / Fan / Fluid]	N (lbf)	52 / 96 / - (12 / 22 / -)	
Max. Border Force relative	%	58	
Force Constant	N/A <sub>pk</sub> (lbf/A <sub>pk</sub> )	25.8 (5.8)	
<b>Velocity</b>			
Max. Velocity @ 48VDC	m/s (in/s)	1.6 (66.9)	
Max. Velocity @ 72VDC	m/s (in/s)	2.5 (99.9)	
<b>Position Detection</b>			
Repeatability	mm (in)	±0.05 (±0.002)	
Linearity	%	± 0.25	
<b>Electrical Data</b>			
Max. Current @ 48VDC	A <sub>pk</sub>	7.9	
Max. Current @ 72VDC	A <sub>pk</sub>	11.8	
Max. Cont. Current [Passive cooling / Fan / Fluid]	A <sub>pk</sub>	2 / 3.7 / -	
<b>Thermal Data</b>			
Max. Winding Temperature (Sensor)	°C	90	
Thermal Resistance [Passive cooling / Fan / Fluid]	*K/W	2 / 0.58 / -	
Thermal Time Constant [Passive cooling / Fan / Fluid]	s	1300 / 390 / -	
<b>Mechanical Data</b>			
Slider Length	mm (in)	500 (20)	
Slider Mass	g (lb)	1090 (2.4)	

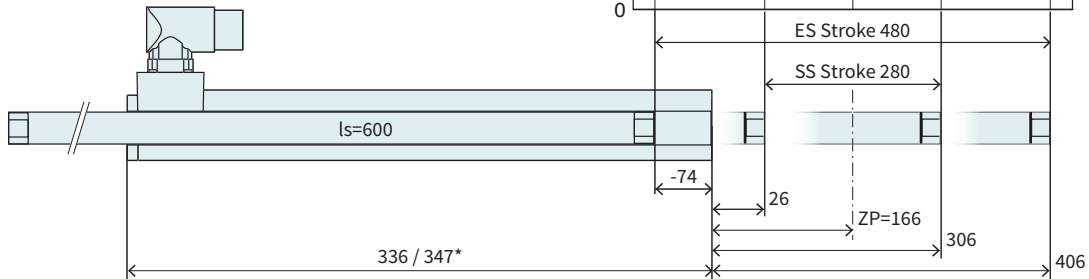
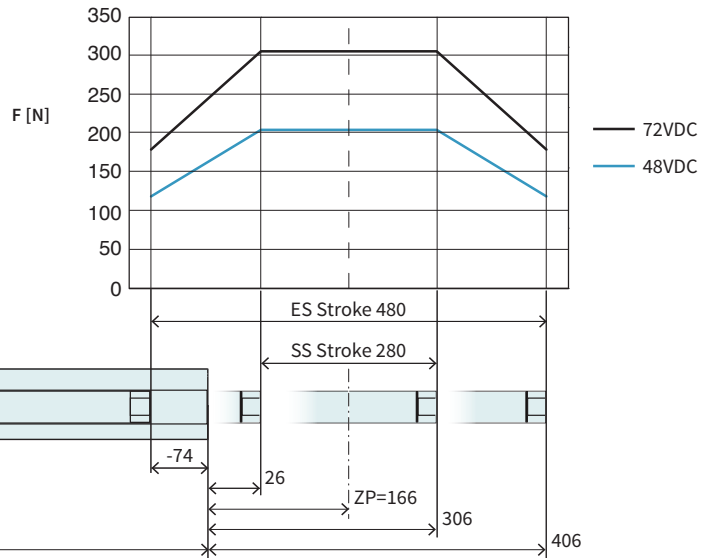


Item	Description	Item-No.
<b>PS01-37x240F-C</b>	Stator with IP67 Connector M23/9(m)	0150-1225
<b>PS01-37x240F-C20</b>	Stator, 0.2m Cable, IP67 St. M23/9(m)	0150-1239
<b>PL01-20x500/440-LC</b>	Slider 'standard LC'	0150-2563
<b>PL02-20x500/440-LC</b>	Slider 'heavy duty LC'	0150-2575
<b>PL01-19x500/420*</b>	Slider 'high clearance'	0150-1455

\* With this slider, the motor specifications above change.

**P01-37x240F/280x480-LC**

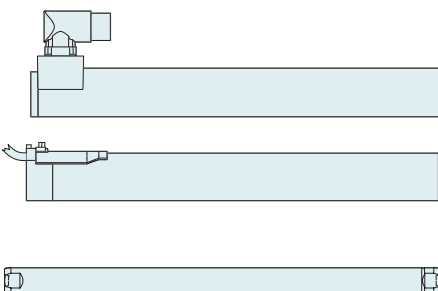
**Max. Stroke:** 480 mm  
**Peak Force:** 308 N



Dimensions in mm  
 \*Cable Type

**Technical Data P01-37x240F/280x480-LC**

Stroke			
Standard Stroke (SS)	mm (in)	280 (10.99)	
Extended Stroke (ES)	mm (in)	480 (18.89)	
Force			
Max. Force @ 48VDC	N (lbf)	205 (46.2)	
Max. Force @ 72VDC	N (lbf)	308 (69.2)	
Max. Cont. Force [Passive cooling / Fan / Fluid]	N (lbf)	52 / 96 / - (12 / 22 / -)	
Max. Border Force relative	%	58	
Force Constant	N/A <sub>pk</sub> (lbf/A <sub>pk</sub> )	25.8 (5.8)	
Velocity			
Max. Velocity @ 48VDC	m/s (in/s)	1.6 (66.9)	
Max. Velocity @ 72VDC	m/s (in/s)	2.5 (99.9)	
Position Detection			
Repeatability	mm (in)	±0.05 (±0.002)	
Linearity	%	± 0.2	
Electrical Data			
Max. Current @ 48VDC	A <sub>pk</sub>	7.9	
Max. Current @ 72VDC	A <sub>pk</sub>	11.8	
Max. Cont. Current [Passive cooling / Fan / Fluid]	A <sub>pk</sub>	2 / 3.7 / -	
Thermal Data			
Max. Winding Temperature (Sensor)	°C	90	
Thermal Resistance [Passive cooling / Fan / Fluid]	°K/W	2 / 0.58 / -	
Thermal Time Constant [Passive cooling / Fan / Fluid]	s	1300 / 390 / -	
Mechanical Data			
Slider Length	mm (in)	600 (24)	
Slider Mass	g (lb)	1330 (2.93)	



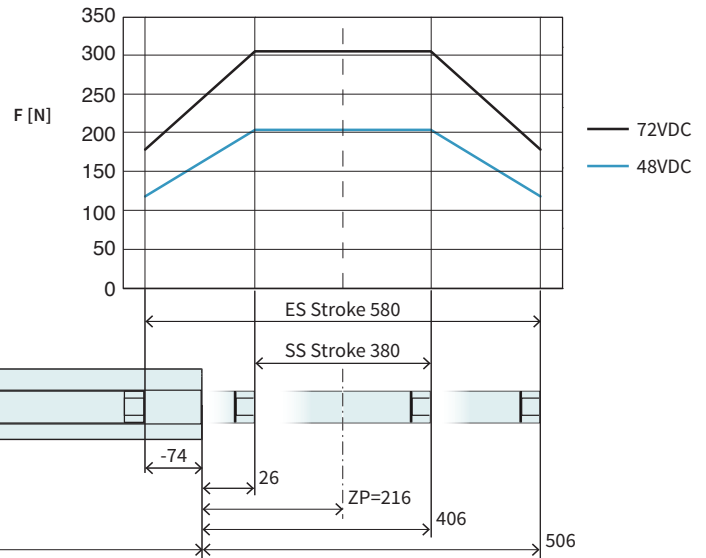
Item	Description	Item-No.
<b>PS01-37x240F-C</b>	Stator with IP67 Connector M23/9(m)	0150-1225
<b>PS01-37x240F-C20</b>	Stator, 0.2m Cable, IP67 St. M23/9(m)	0150-1239
<b>PL01-20x600/540-LC</b>	Slider 'standard LC'	0150-2564
<b>PL02-20x600/540-LC</b>	Slider 'heavy duty LC'	0150-2576
<b>PL01-19x600/520*</b>	Slider 'high clearance'	0150-1456

\* With this slider, the motor specifications above change.



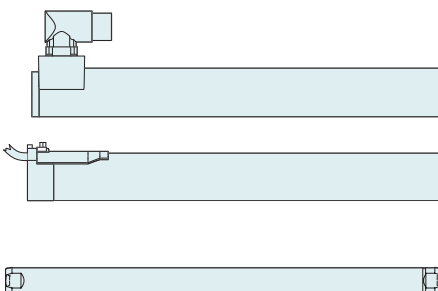
**P01-37x240F/380x580-LC**

**Max. Stroke:** 580 mm  
**Peak Force:** 308 N



Dimensions in mm  
 \*Cable Type

Technical Data P01-37x240F/380x580-LC			
<b>Stroke</b>			
Standard Stroke (SS)	mm (in)	380 (14.99)	
Extended Stroke (ES)	mm (in)	580 (22.8)	
<b>Force</b>			
Max. Force @ 48VDC	N (lbf)	205 (46.2)	
Max. Force @ 72VDC	N (lbf)	308 (69.2)	
Max. Cont. Force [Passive cooling / Fan / Fluid]	N (lbf)	52 / 96 / - (12 / 22 / -)	
Max. Border Force relative	%	58	
Force Constant	N/A <sub>pk</sub> (lbf/A <sub>pk</sub> )	25.8 (5.8)	
<b>Velocity</b>			
Max. Velocity @ 48VDC	m/s (in/s)	1.6 (66.9)	
Max. Velocity @ 72VDC	m/s (in/s)	2.5 (99.9)	
<b>Position Detection</b>			
Repeatability	mm (in)	±0.05 (±0.002)	
Linearity	%	± 0.2	
<b>Electrical Data</b>			
Max. Current @ 48VDC	A <sub>pk</sub>	7.9	
Max. Current @ 72VDC	A <sub>pk</sub>	11.8	
Max. Cont. Current [Passive cooling / Fan / Fluid]	A <sub>pk</sub>	2 / 3.7 / -	
<b>Thermal Data</b>			
Max. Winding Temperature (Sensor)	°C	90	
Thermal Resistance [Passive cooling / Fan / Fluid]	°K/W	2 / 0.58 / -	
Thermal Time Constant [Passive cooling / Fan / Fluid]	s	1300 / 390 / -	
<b>Mechanical Data</b>			
Slider Length	mm (in)	700 (28)	
Slider Mass	g (lb)	1560 (3.43)	

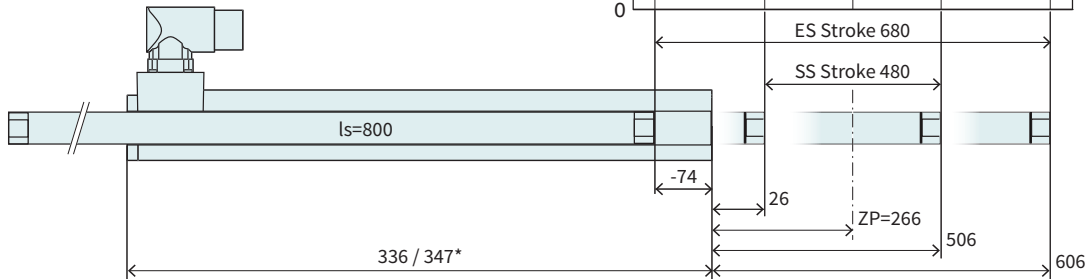
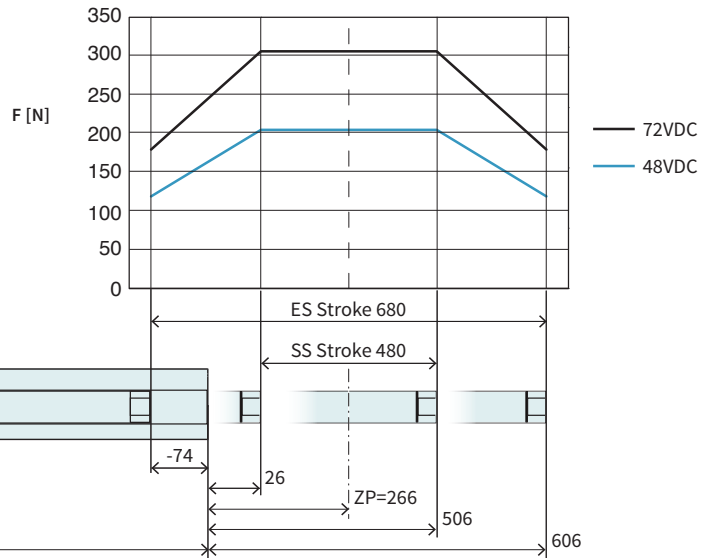


Item	Description	Item-No.
<b>PS01-37x240F-C</b>	Stator with IP67 Connector M23/9(m)	0150-1225
<b>PS01-37x240F-C20</b>	Stator, 0.2m Cable, IP67 St. M23/9(m)	0150-1239
<b>PL01-20x700/640-LC</b>	Slider 'standard LC'	0150-2565
<b>PL02-20x700/640-LC</b>	Slider 'heavy duty LC'	0150-2577
<b>PL01-19x700/620*</b>	Slider 'high clearance'	0150-1457

\* With this slider, the motor specifications above change.

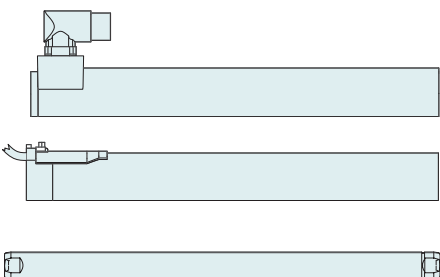
**P01-37x240F/480x680-LC**

**Max. Stroke:** 680 mm  
**Peak Force:** 308 N



Dimensions in mm  
 \*Cable Type

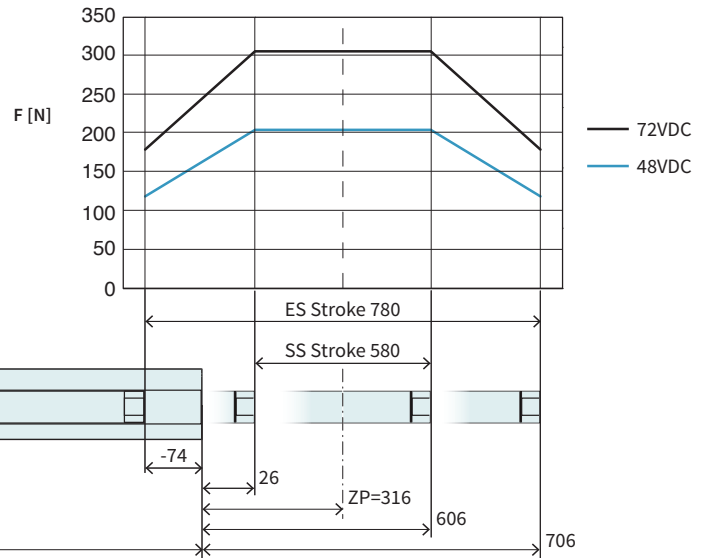
Technical Data P01-37x240F/480x680-LC			
<b>Stroke</b>			
Standard Stroke (SS)	mm (in)	480 (18.89)	
Extended Stroke (ES)	mm (in)	680 (26.8)	
<b>Force</b>			
Max. Force @ 48VDC	N (lbf)	205 (46.2)	
Max. Force @ 72VDC	N (lbf)	308 (69.2)	
Max. Cont. Force [Passive cooling / Fan / Fluid]	N (lbf)	52 / 96 / - (12 / 22 / -)	
Max. Border Force relative	%	58	
Force Constant	N/A <sub>pk</sub> (lbf/A <sub>pk</sub> )	25.8 (5.8)	
<b>Velocity</b>			
Max. Velocity @ 48VDC	m/s (in/s)	1.6 (66.9)	
Max. Velocity @ 72VDC	m/s (in/s)	2.5 (99.9)	
<b>Position Detection</b>			
Repeatability	mm (in)	±0.05 (±0.002)	
Linearity	%	± 0.15	
<b>Electrical Data</b>			
Max. Current @ 48VDC	A <sub>pk</sub>	7.9	
Max. Current @ 72VDC	A <sub>pk</sub>	11.8	
Max. Cont. Current [Passive cooling / Fan / Fluid]	A <sub>pk</sub>	2 / 3.7 / -	
<b>Thermal Data</b>			
Max. Winding Temperature (Sensor)	°C	90	
Thermal Resistance [Passive cooling / Fan / Fluid]	°K/W	2 / 0.58 / -	
Thermal Time Constant [Passive cooling / Fan / Fluid]	s	1300 / 390 / -	
<b>Mechanical Data</b>			
Slider Length	mm (in)	800 (31)	
Slider Mass	g (lb)	1790 (3.94)	



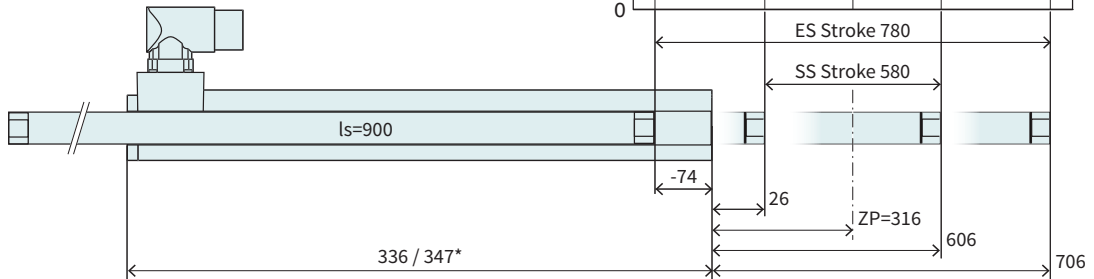
Item	Description	Item-No.
<b>PS01-37x240F-C</b>	Stator with IP67 Connector M23/9(m)	0150-1225
<b>PS01-37x240F-C20</b>	Stator, 0.2m Cable, IP67 St. M23/9(m)	0150-1239
<b>PL01-20x800/740-LC</b>	Slider 'standard LC'	0150-2566
<b>PL02-20x800/740-LC</b>	Slider 'heavy duty LC'	0150-2578

**P01-37x240F/580x780-LC**

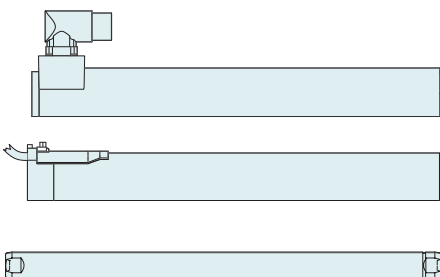
**Max. Stroke:** 780 mm  
**Peak Force:** 308 N



Dimensions in mm  
 \*Cable Type



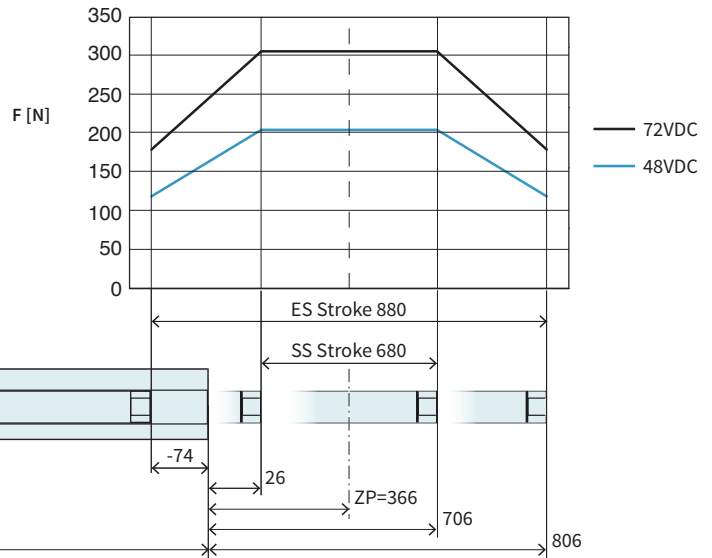
Technical Data P01-37x240F/580x780-LC			
<b>Stroke</b>			
Standard Stroke (SS)	mm (in)	580 (22.8)	
Extended Stroke (ES)	mm (in)	780 (30.69)	
<b>Force</b>			
Max. Force @ 48VDC	N (lbf)	205 (46.2)	
Max. Force @ 72VDC	N (lbf)	308 (69.2)	
Max. Cont. Force [Passive cooling / Fan / Fluid]	N (lbf)	52 / 96 / - (12 / 22 / -)	
Max. Border Force relative	%	58	
Force Constant	N/A <sub>pk</sub> (lbf/A <sub>pk</sub> )	25.8 (5.8)	
<b>Velocity</b>			
Max. Velocity @ 48VDC	m/s (in/s)	1.6 (66.9)	
Max. Velocity @ 72VDC	m/s (in/s)	2.5 (99.9)	
<b>Position Detection</b>			
Repeatability	mm (in)	±0.05 (±0.002)	
Linearity	%	± 0.15	
<b>Electrical Data</b>			
Max. Current @ 48VDC	A <sub>pk</sub>	7.9	
Max. Current @ 72VDC	A <sub>pk</sub>	11.8	
Max. Cont. Current [Passive cooling / Fan / Fluid]	A <sub>pk</sub>	2 / 3.7 / -	
<b>Thermal Data</b>			
Max. Winding Temperature (Sensor)	°C	90	
Thermal Resistance [Passive cooling / Fan / Fluid]	*K/W	2 / 0.58 / -	
Thermal Time Constant [Passive cooling / Fan / Fluid]	s	1300 / 390 / -	
<b>Mechanical Data</b>			
Slider Length	mm (in)	900 (35)	
Slider Mass	g (lb)	2020 (4.44)	



Item	Description	Item-No.
<b>PS01-37x240F-C</b>	Stator with IP67 Connector M23/9(m)	0150-1225
<b>PS01-37x240F-C20</b>	Stator, 0.2m Cable, IP67 St. M23/9(m)	0150-1239
<b>PL01-20x900/840-LC</b>	Slider 'standard LC'	0150-2567
<b>PL02-20x900/840-LC</b>	Slider 'heavy duty LC'	0150-2579

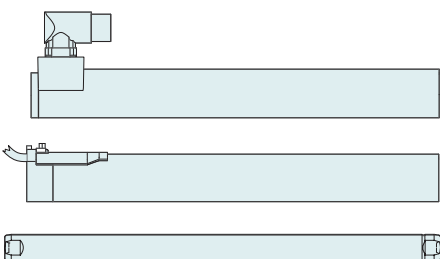
**P01-37x240F/680x880-LC**

**Max. Stroke:** 880 mm  
**Peak Force:** 308 N



Dimensions in mm  
 \*Cable Type

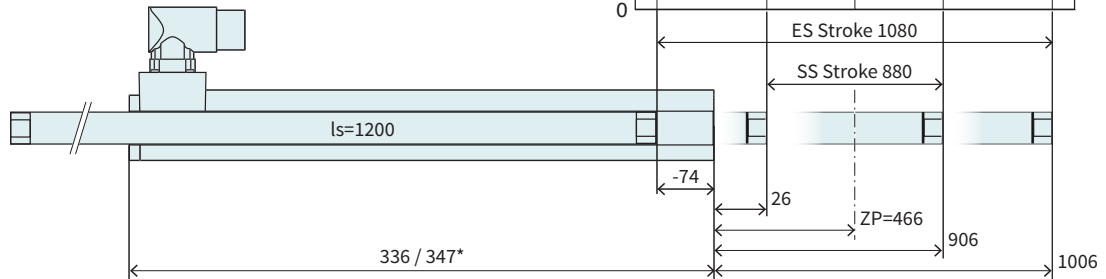
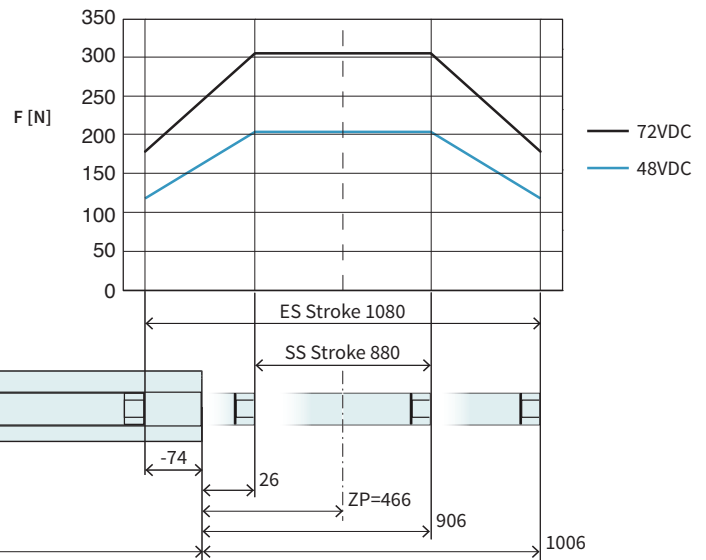
Technical Data P01-37x240F/680x880-LC			
<b>Stroke</b>			
Standard Stroke (SS)	mm (in)		680 (26.8)
Extended Stroke (ES)	mm (in)		880 (34.6)
<b>Force</b>			
Max. Force @ 48VDC	N (lbf)		205 (46.2)
Max. Force @ 72VDC	N (lbf)		308 (69.2)
Max. Cont. Force [Passive cooling / Fan / Fluid]	N (lbf)		52 / 96 / - (12 / 22 / -)
Max. Border Force relative	%		58
Force Constant	N/A <sub>pk</sub> (lbf/A <sub>pk</sub> )		25.8 (5.8)
<b>Velocity</b>			
Max. Velocity @ 48VDC	m/s (in/s)		1.6 (66.9)
Max. Velocity @ 72VDC	m/s (in/s)		2.5 (99.9)
<b>Position Detection</b>			
Repeatability	mm (in)		±0.05 (±0.002)
Linearity	%		± 0.15
<b>Electrical Data</b>			
Max. Current @ 48VDC	A <sub>pk</sub>		7.9
Max. Current @ 72VDC	A <sub>pk</sub>		11.8
Max. Cont. Current [Passive cooling / Fan / Fluid]	A <sub>pk</sub>		2 / 3.7 / -
<b>Thermal Data</b>			
Max. Winding Temperature (Sensor)	°C		90
Thermal Resistance [Passive cooling / Fan / Fluid]	°K/W		2 / 0.58 / -
Thermal Time Constant [Passive cooling / Fan / Fluid]	s		1300 / 390 / -
<b>Mechanical Data</b>			
Slider Length	mm (in)		1000 (39)
Slider Mass	g (lb)		2230 (4.91)



Item	Description	Item-No.
<b>PS01-37x240F-C</b>	Stator with IP67 Connector M23/9(m)	0150-1225
<b>PS01-37x240F-C20</b>	Stator, 0.2m Cable, IP67 St. M23/9(m)	0150-1239
<b>PL01-20x1000/940-LC</b>	Slider 'standard LC'	0150-2568

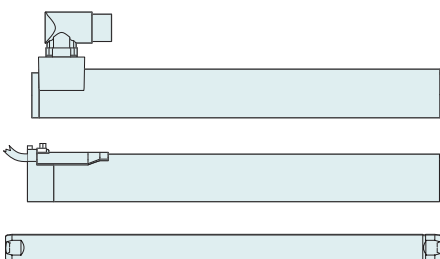
**P01-37x240F/880x1080-LC**

**Max. Stroke:** 1080 mm  
**Peak Force:** 308 N



Dimensions in mm  
 \*Cable Type

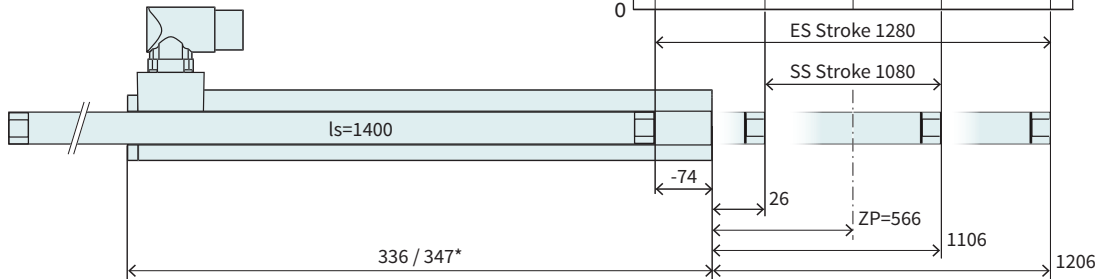
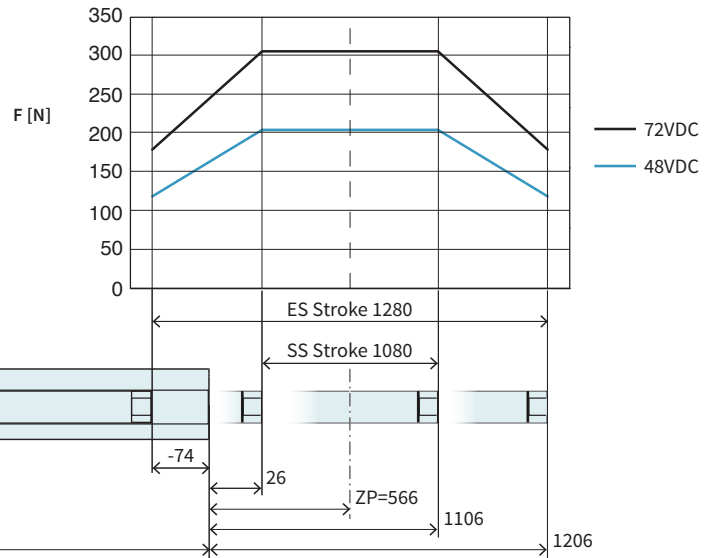
Technical Data P01-37x240F/880x1080-LC			
<b>Stroke</b>			
Standard Stroke (SS)	mm (in)	880 (34.6)	
Extended Stroke (ES)	mm (in)	1080 (42.49)	
<b>Force</b>			
Max. Force @ 48VDC	N (lbf)	205 (46.2)	
Max. Force @ 72VDC	N (lbf)	308 (69.2)	
Max. Cont. Force [Passive cooling / Fan / Fluid]	N (lbf)	52 / 96 / - (12 / 22 / -)	
Max. Border Force relative	%	58	
Force Constant	N/A <sub>pk</sub> (lbf/A <sub>pk</sub> )	25.8 (5.8)	
<b>Velocity</b>			
Max. Velocity @ 48VDC	m/s (in/s)	1.6 (66.9)	
Max. Velocity @ 72VDC	m/s (in/s)	2.5 (99.9)	
<b>Position Detection</b>			
Repeatability	mm (in)	±0.05 (±0.002)	
Linearity	%	± 0.15	
<b>Electrical Data</b>			
Max. Current @ 48VDC	A <sub>pk</sub>	7.9	
Max. Current @ 72VDC	A <sub>pk</sub>	11.8	
Max. Cont. Current [Passive cooling / Fan / Fluid]	A <sub>pk</sub>	2 / 3.7 / -	
<b>Thermal Data</b>			
Max. Winding Temperature (Sensor)	°C	90	
Thermal Resistance [Passive cooling / Fan / Fluid]	*K/W	2 / 0.58 / -	
Thermal Time Constant [Passive cooling / Fan / Fluid]	s	1300 / 390 / -	
<b>Mechanical Data</b>			
Slider Length	mm (in)	1200 (47)	
Slider Mass	g (lb)	2690 (5.92)	



Item	Description	Item-No.
<b>PS01-37x240F-C</b>	Stator with IP67 Connector M23/9(m)	0150-1225
<b>PS01-37x240F-C20</b>	Stator, 0.2m Cable, IP67 St. M23/9(m)	0150-1239
<b>PL01-20x1200/1140-LC</b>	Slider 'standard LC'	0150-2569

**P01-37x240F/1080x1280-LC**

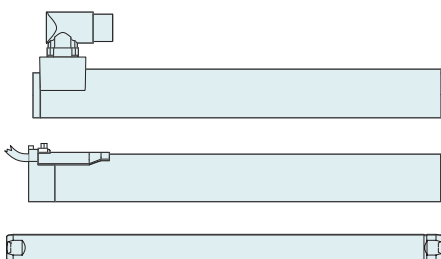
**Max. Stroke:** 1280 mm  
**Peak Force:** 308 N



Dimensions in mm  
 \*Cable Type

**Technical Data P01-37x240F/1080x1280-LC**

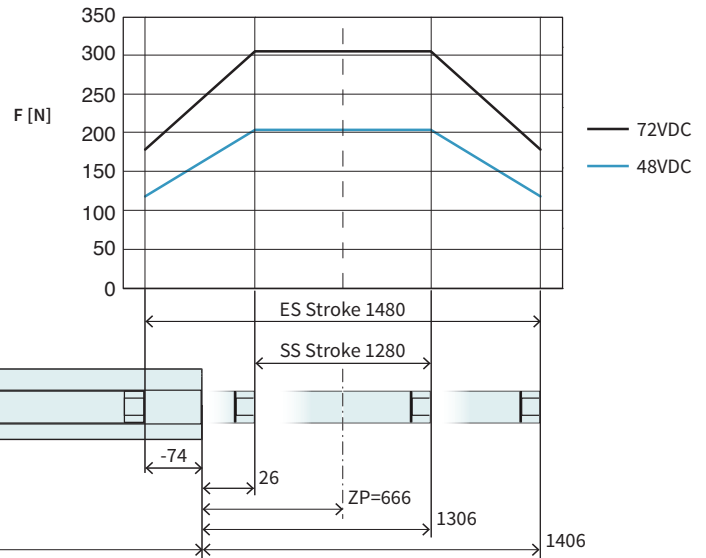
Stroke			
Standard Stroke (SS)	mm (in)	1080	(42.49)
Extended Stroke (ES)	mm (in)	1280	(50.39)
Force			
Max. Force @ 48VDC	N (lbf)	205	(46.2)
Max. Force @ 72VDC	N (lbf)	308	(69.2)
Max. Cont. Force [Passive cooling / Fan / Fluid]	N (lbf)	52 / 96 / -	(12 / 22 / -)
Max. Border Force relative	%	58	
Force Constant	N/A <sub>pk</sub> (lbf/A <sub>pk</sub> )	25.8	(5.8)
Velocity			
Max. Velocity @ 48VDC	m/s (in/s)	1.6	(66.9)
Max. Velocity @ 72VDC	m/s (in/s)	2.5	(99.9)
Position Detection			
Repeatability	mm (in)	±0.05	(±0.002)
Linearity	%	± 0.15	
Electrical Data			
Max. Current @ 48VDC	A <sub>pk</sub>	7.9	
Max. Current @ 72VDC	A <sub>pk</sub>	11.8	
Max. Cont. Current [Passive cooling / Fan / Fluid]	A <sub>pk</sub>	2 / 3.7 / -	
Thermal Data			
Max. Winding Temperature (Sensor)	°C	90	
Thermal Resistance [Passive cooling / Fan / Fluid]	°K/W	2 / 0.58 / -	
Thermal Time Constant [Passive cooling / Fan / Fluid]	s	1300 / 390 / -	
Mechanical Data			
Slider Length	mm (in)	1400	(55)
Slider Mass	g (lb)	3160	(6.95)



Item	Description	Item-No.
<b>PS01-37x240F-C</b>	Stator with IP67 Connector M23/9(m)	0150-1225
<b>PS01-37x240F-C20</b>	Stator, 0.2m Cable, IP67 St. M23/9(m)	0150-1239
<b>PL01-20x1400/1340-LC</b>	Slider 'standard LC'	0150-2570

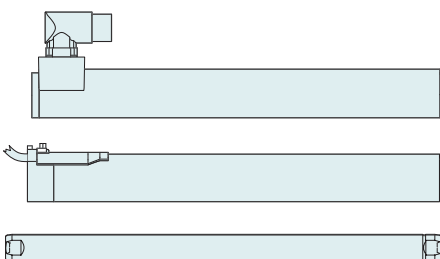
**P01-37x240F/1280x1480-LC**

**Max. Stroke:** 1480 mm  
**Peak Force:** 308 N



Dimensions in mm  
 \*Cable Type

Technical Data P01-37x240F/1280x1480-LC			
<b>Stroke</b>			
Standard Stroke (SS)	mm (in)		1280 (50.39)
Extended Stroke (ES)	mm (in)		1480 (58.29)
<b>Force</b>			
Max. Force @ 48VDC	N (lbf)		205 (46.2)
Max. Force @ 72VDC	N (lbf)		308 (69.2)
Max. Cont. Force [Passive cooling/ Fan / Fluid]	N (lbf)		52 / 96 / - (12 / 22 / -)
Max. Border Force relative	%		58
Force Constant	N/A <sub>pk</sub> (lbf/A <sub>pk</sub> )		25.8 (5.8)
<b>Velocity</b>			
Max. Velocity @ 48VDC	m/s (in/s)		1.6 (66.9)
Max. Velocity @ 72VDC	m/s (in/s)		2.5 (99.9)
<b>Position Detection</b>			
Repeatability	mm (in)		±0.05 (±0.002)
Linearity	%		± 0.15
<b>Electrical Data</b>			
Max. Current @ 48VDC	A <sub>pk</sub>		7.9
Max. Current @ 72VDC	A <sub>pk</sub>		11.8
Max. Cont. Current [Passive cooling / Fan / Fluid]	A <sub>pk</sub>		2 / 3.7 / -
<b>Thermal Data</b>			
Max. Winding Temperature (Sensor)	°C		90
Thermal Resistance [Passive cooling / Fan / Fluid]	°K/W		2 / 0.58 / -
Thermal Time Constant [Passive cooling / Fan / Fluid]	s		1300 / 390 / -
<b>Mechanical Data</b>			
Slider Length	mm (in)		1600 (63)
Slider Mass	g (lb)		3620 (7.9)



Item	Description	Item-No.
<b>PS01-37x240F-C</b>	Stator with IP67 Connector M23/9(m)	0150-1225
<b>PS01-37x240F-C20</b>	Stator, 0.2m Cable, IP67 St. M23/9(m)	0150-1239
<b>PL01-20x1600/1540-LC</b>	Slider 'standard LC'	0150-2571

**Linear Guides H01**



**HM01-37x240/60 | Linear Module 37x240 with 60 mm Stroke**

→	H-Guide	H01-37x286/60	H-Guide for P01-37x240, Stroke max 60mm	0150-5023
		H01-37x286/60-GF	H-Guide for P01-37x240, Stroke max 60mm	0150-5083
→	Stator	PS01-37x240F-C	Stator with IP67 Connector M23/9(m)	0150-1225
		PS01-37x240F-C20	Stator, 0.2m Cable, IP67 St. M23/9(m)	0150-1239
→	Slider	PL01-20x400/340-LC	Slider 'standard LC'	0150-2562

**HM01-37x240/160 | Linear Module 37x240 with 160 mm Stroke**

→	H-Guide	H01-37x286/160	H-Guide for P01-37x240, Stroke max 160mm	0150-5024
		H01-37x286/160-GF	H-Guide for P01-37x240, Stroke max 160mm	0150-5084
→	Stator	PS01-37x240F-C	Stator with IP67 Connector M23/9(m)	0150-1225
		PS01-37x240F-C20	Stator, 0.2m Cable, IP67 St. M23/9(m)	0150-1239
→	Slider	PL01-20x500/440-LC	Slider 'standard LC'	0150-2563

**HM01-37x240/260 | Linear Module 37x240 with 260 mm Stroke**

→	H-Guide	H01-37x286/260	H-Guide for P01-37x240, Stroke max 260mm	0150-5025
		H01-37x286/260-GF	H-Guide for P01-37x240, Stroke max 260mm	0150-5085
→	Stator	PS01-37x240F-C	Stator with IP67 Connector M23/9(m)	0150-1225
		PS01-37x240F-C20	Stator, 0.2m Cable, IP67 St. M23/9(m)	0150-1239
→	Slider	PL01-20x600/540-LC	Slider 'standard LC'	0150-2564

**Accessories**

→	Brake	HB01-37	Pneumatic Brake for H01-37/600N (4-6Bar)	0150-5052
→	Fan	HV01-37/48	Fan cooling for H01-37/48 & PF02-37/48	0150-5051
→	MagSpring	MF01-37/H37	Flange MagSpring 37 / H-Guide 23/37/48	0250-2307
		MA01-37/H37	Adapter MagSpring 37&20 / H-Guide 37	0250-0117
→	Centering sleeve	HC01-09/04	Centering sleeve D9x4 mm	0150-3251
→	Wipers	HA01-27/20-F	Wiper for H01-37 guides, front side	0150-5108

FIND MORE PRODUCT DETAILS IN THE CHAPTER "LINEAR GUIDES".



**Bridge Guide B01**



**BM01-37x240/140 Bridge Module 37x240 with 140 mm Stroke <sup>1)</sup>**

→	B-Guide	B01-37x286/140	B-Guide for P01-37x240, Stroke max 140mm	0150-5144
		B01-37x286/140-GF	B-Guide for P01-37x240, Stroke max 140mm	0150-5147
→	Stator	PS01-37x240F-C	Stator with IP67 Connector M23/9(m)	0150-1225
		PS01-37x240F-C20	Stator, 0.2m Cable, IP67 St. M23/9(m)	0150-1239
→	Slider	PL01-19x500/420	Slider 'high clearance'	0150-1455

**BM01-37x240/240 Bridge Module 37x240 with 240 mm Stroke <sup>1)</sup>**

→	B-Guide	B01-37x286/240	B-Guide for P01-37x240, Stroke max 240mm	0150-5145
		B01-37x286/240-GF	B-Guide for P01-37x240, Stroke max 240mm	0150-5148
→	Stator	PS01-37x240F-C	Stator with IP67 Connector M23/9(m)	0150-1225
		PS01-37x240F-C20	Stator, 0.2m Cable, IP67 St. M23/9(m)	0150-1239
→	Slider	PL01-19x600/520	Slider 'high clearance'	0150-1456

**BM01-37x240/340 Bridge Module 37x240 with 340 mm Stroke <sup>1)</sup>**

→	B-Guide	B01-37x286/340	B-Guide for P01-37x240, Stroke max 340mm	0150-5146
		B01-37x286/340-GF	B-Guide for P01-37x240, Stroke max 340mm	0150-5149
→	Stator	PS01-37x240F-C	Stator with IP67 Connector M23/9(m)	0150-1225
		PS01-37x240F-C20	Stator, 0.2m Cable, IP67 St. M23/9(m)	0150-1239
→	Slider	PL01-19x700/620	Slider 'high clearance'	0150-1457

**Accessories**

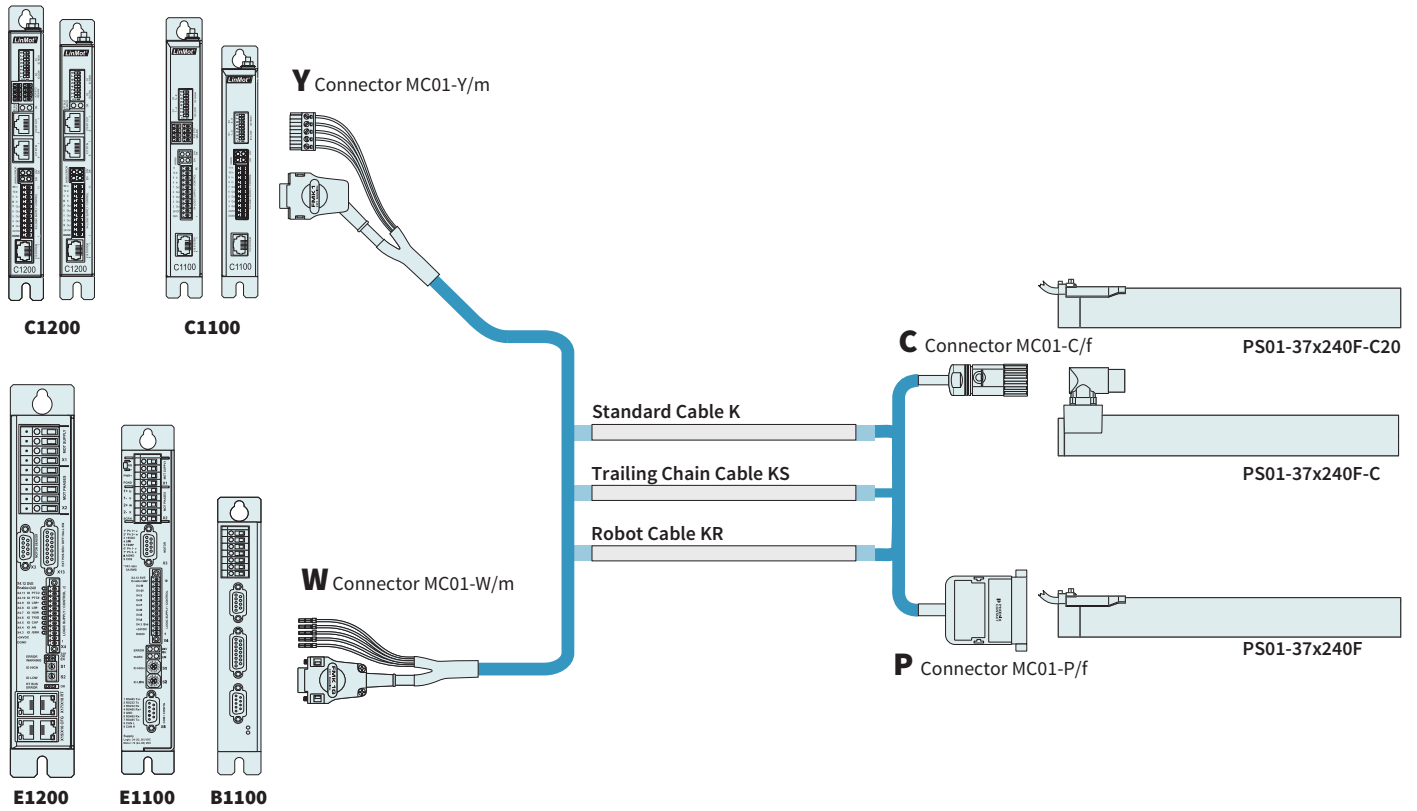
→	Brake	HB01-37	Pneumatic Brake for H01-37/600N (4-6 Bar)	0150-5052
→	Fan	HV01-37/48	Fan cooling for H01-37/48 & PF02-37/48	0150-5051
→	MagSpring	MF01-37/H37	Flange MagSpring 37 / H-Guide 23/37/48	0250-2307
		MA01-37/H37	Adapter MagSpring 37&20 / H-Guide 37	0250-0117
→	Centering sleeve	HC01-09/04	Centering sleeve D9x4 mm	0150-3251
→	Wipers	HA01-27/20-F	Wiper for H01-37 guides, front side	0150-5108

<sup>1)</sup> The stroke is reduced by 18mm when using cable models.

**FIND MORE PRODUCT DETAILS IN THE CHAPTER "LINEAR GUIDES".**

**Motor Cable**

3



**ORDERING INFORMATION**

STANDARD CABLE

Item	Description	Item-No.
<b>K05-W/C-2</b>	Motor Cable W/C, 2 m	0150-2123
<b>K05-W/C-4</b>	Motor Cable W/C, 4 m	0150-2124
<b>K05-W/C-6</b>	Motor Cable W/C, 6 m	0150-2125
<b>K05-W/C-8</b>	Motor Cable W/C, 8 m	0150-2126
<b>K05-W/C-</b>	Motor Cable W/C, Custom length	0150-3263
<b>K05-Y/C-2</b>	Motor Cable Y/R, 2 m	0150-2425
<b>K05-Y/C-4</b>	Motor Cable Y/R, 4 m	0150-2426
<b>K05-Y/C-6</b>	Motor Cable Y/R, 6 m	0150-2427
<b>K05-Y/C-8</b>	Motor Cable Y/R, 8 m	0150-2428
<b>K05-Y-Fe/C-</b>	Motor Cable Y-Fe/R, Custom length	0150-3502

TRAILING CHAIN CABLE		
Item	Description	Item-No.
<b>KS05-W/C-4</b>	Trailing Chain Cable W/C, 4 m	0150-2127
<b>KS05-W/C-6</b>	Trailing Chain Cable W/C, 6 m	0150-2128
<b>KS05-W/C-8</b>	Trailing Chain Cable W/C, 8 m	0150-2129
<b>KS05-W/C-</b>	Trailing Chain Cable W/C, Custom length	0150-3204
<b>KS05-Y/C-4</b>	Trailing Chain Cable Y/C, 4 m	0150-2436
<b>KS05-Y/C-6</b>	Trailing Chain Cable Y/C, 6 m	0150-2437
<b>KS05-Y/C-8</b>	Trailing Chain Cable Y/C, 8 m	0150-2438
<b>KS05-Y/C-</b>	Trailing Chain Cable Y-Fe/C, Custom length	0150-3508

ROBOT CABLE		
Item	Description	Item-No.
<b>KR05-W/C-</b>	Robot Cable KR05-W/C, Custom length	0150-3644
<b>KR05-Y-Fe/C-</b>	Robot Cable KR05-Y-Fe/C, Custom length	0150-3513

CONNECTOR & CABLE (INDIVIDUAL)		
Item	Description	Item-No.
<b>MC01-W/m</b>	Motor Connector W/m	0150-3140
<b>MC01-Y-Fe/m</b>	Motor Connector Y-Fe/m	0150-3289
<b>MC01-C/f</b>	Motor Connector C/f	0150-3080
<b>K05-04/05</b>	Motor Cable per m	0150-1920
<b>KS05-04/05</b>	Trailing Chain Cable per m	0150-1938
<b>KR05-04/05</b>	Robot Cable per m	0150-1846

**MOTOR FLANGES**



Item	Description	Item-No.
PF02-37x200	Flange 37x200 mm	0150-1999

FIND MORE PRODUCT DETAILS IN THE CHAPTER "ACCESSORIES".

**FANS**



Item	Description	Item-No.
HV01-37/48	Fan cooling for H01-37, B01-37 and PF02-37	0150-5051

FIND MORE PRODUCT DETAILS IN THE CHAPTER "ACCESSORIES".

**SLIDER MOUNTING**



Item	Description	Item-No.
PLF01-20	Fixed Bearing Set for 19mm and 20mm Slider	0150-3083
PLF01-20-SS	Fixed Bearing Set for 19mm and 20mm Slider, Stainless steel	0150-3296
PLL01-19	Floating Bearing for PL01-19 Slider	0150-3335
PLL01-20	Floating Bearing for PL01-20 Slider	0150-3084
PLM01-20-MK	Mounting Kit for PL01-20 Slider	0150-3079

FIND MORE PRODUCT DETAILS IN THE CHAPTER "ACCESSORIES".

**WIPERS**



Item	Description	Item-No.
<b>PA01-37/19-F</b>	Wipers for PS01-37x...	0150-3225
<b>PA01-37/19-R</b>	Wipers for PS01-37x...-C	0150-3226
<b>PA01-37/19-R cable</b>	Wipers for PS01-37x... Cable Type	0150-3227
<b>PA01-37/20-F</b>	Wipers for PS01-37x...	0150-3126
<b>PA01-37/20-R</b>	Wipers for PS01-37x...-C	0150-3201
<b>PA01-37/20-R cable</b>	Wipers for PS01-37x...-Cable Type	0150-3221

FIND MORE PRODUCT DETAILS IN THE CHAPTER "ACCESSORIES".

**EXTERNAL POSITION SENSORS**



Item	Description	Item-No.
<b>MS01-1/D</b>	Linear Encoder 1µm, A/B (for inc. strip)	0150-1840
<b>MB01-1000</b>	Magnetic incremental strip for MS01-1/D, per cm	0150-1963
<b>KS025-D/D-Encoder</b>	Encoder Cable (Length in m)	0150-3166
<b>KS025-D/D15-Encoder</b>	Encoder Cable (Length in m)	0150-3168

FIND MORE PRODUCT DETAILS IN THE CHAPTER "ACCESSORIES".



Item	Description	Item-No.
<b>MS01-1/D-SSI</b>	Linear Encoder 1µm, A/B (for absolute strip)	0150-2095
<b>MB01-1000-ABS</b>	Magnetic absolute strip for MS01-1/D-SSI (per cm)	0150-2096
<b>EC01-ABS/ENC-12-S</b>	MS01-1/D-SSI Encoder connector straight	0150-3616
<b>KSS01-12-D15/ABS-ENC</b>	Special cable for MS01-1/D-SSI on C1100/C1200/C1400/E1200/E1400 Drives	0150-3652

FIND MORE PRODUCT DETAILS IN THE CHAPTER "ACCESSORIES".

Area with horizontal dotted lines for notes.

# LINEAR MOTORS P01-48x240



- ✓ Highly dynamic drives
- ✓ Wide stroke range
- ✓ Available with rotatable connector
- ✓ Optional with air cooling
- ✓ Wide range of applications in handling modules as well as in plant and machine construction

## LINEAR MOTORS P01-48x240

<b>Technical Data</b>	<b>319</b>
<b>Motor Specifications</b>	
P01-48x240/30x180	<b>323</b>
P01-48x240/90x240	<b>324</b>
P01-48x240/180x330	<b>325</b>
P01-48x240/300x450	<b>326</b>
P01-48x240/390x540	<b>327</b>
P01-48x240/480x630	<b>328</b>
P01-48x240/600x750	<b>329</b>
P01-48x240/690x840	<b>330</b>
P01-48x240/900x1050	<b>331</b>
P01-48x240/1080x1230	<b>332</b>
P01-48x240/1290x1440	<b>333</b>
P01-48x240/1500x1650	<b>334</b>
P01-48x240/1680x1830	<b>335</b>
<b>Linear Guides</b>	<b>336</b>
<b>Accessories</b>	<b>338</b>

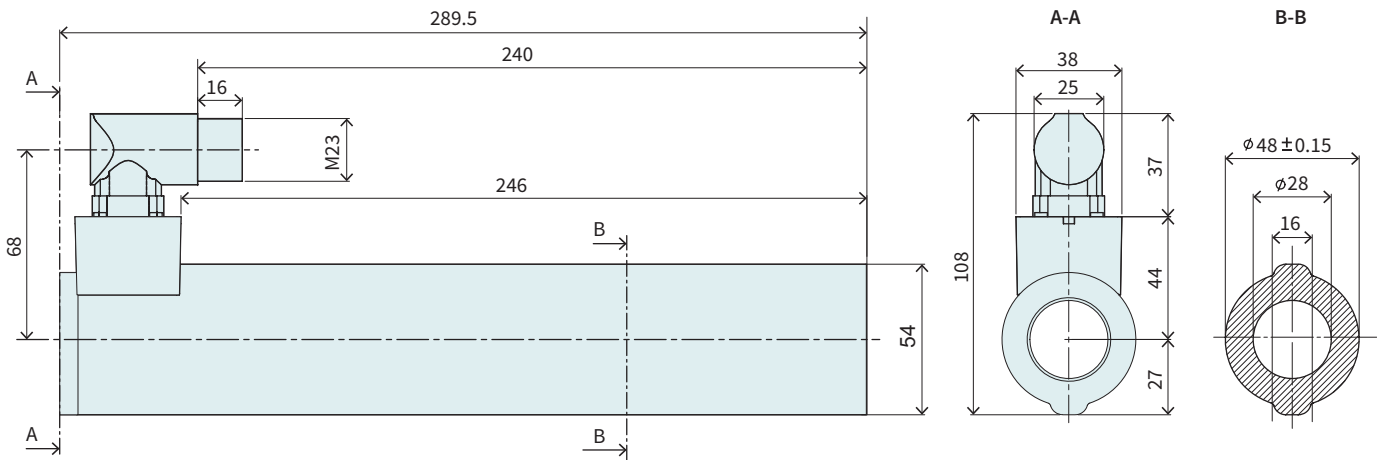




### MOTOR FAMILY P01-48x240

Technical Data				
<b>Stroke</b>				
Standard Stroke (SS)	mm	(in)	≤ 1680	(≤ 66.1)
Extended Stroke (ES)	mm	(in)	≤ 1830	(≤ 72)
<b>Force</b>				
Max. Force @ 48VDC	N	(lbf)	497	(112)
Max. Force @ 72VDC	N	(lbf)	585	(132)
Max. Cont. Force [Passive cooling / Fan / Fluid]	N	(lbf)	140 / 250 / -	(32 / 56 / -)
Max. Border Force relative	%		≤ 69	
Force Constant	N/A <sub>pk</sub>	(lbf/A <sub>pk</sub> )	39	(8.77)
<b>Velocity</b>				
Max. Velocity @ 48VDC	m/s	(in/s)	1.1	(44.9)
Max. Velocity @ 72VDC	m/s	(in/s)	1.6	(66.9)
<b>Position Detection</b>				
Position Resolution	mm	(in)	0.007	(0.0003)
Repeatability	mm	(in)	±0.05	(±0.002)
Position Resolution with ES	mm	(in)	0.001	(0.00004)
Repeatability with ES	mm	(in)	±0.01	(±0.0004)
Linearity with ES	mm	(in)	±0.01	(±0.0004)
<b>Electrical Data</b>				
Max. Current @ 48VDC	A <sub>pk</sub>		12.6	
Max. Current @ 72VDC	A <sub>pk</sub>		14.9	
Max. Cont. Current [Passive cooling / Fan / Fluid]	A <sub>pk</sub>		3.6 / 6.4 / -	
Terminal Resistance 25 °C / 120 °C	Ohm		3.1 / 4.2	
Terminal Inductivity	mH		3	
Magnetic Period	mm	(in)	60	(2.35)
<b>Thermal Data</b>				
Max. Winding Temperature (Sensor)	°C		90	
Thermal Resistance [Passive cooling / Fan / Fluid]	°K/W		0.95 / 0.31 / -	
Thermal Time Constant [Passive cooling / Fan / Fluid]	s		970 / 320 / -	
<b>Mechanical Data</b>				
Stator Diameter	mm	(in)	48	(1.9)
Stator Length [Connector type / Cable type]	mm	(in)	289.5	(11)
Stator Mass	g	(lb)	1930	(4.25)
Slider Diameter	mm	(in)	28	(1.1)
Slider Length	mm	(in)	350 - 2000	(14 - 79)
Slider Mass	g	(lb)	1460 - 9140	(3.21 - 20.1)
IP Code				IP 65

**STATOR**

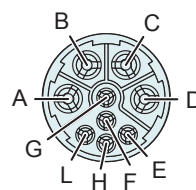


Item	Description	Item-No.
PS01-48x240-C	Stator with IP67 Connector M23/9(m)	0150-1219

**CONNECTOR**

Motor Connector Wiring	PS01-37x240-C PS01-37x240-C20	Wire color motor cable
	C-Connector	
Ph 1+	A	red
Ph 1-	B	pink
Ph 2+	C	blue
Ph 2-	D	grey
+5VDC	E	white
GND	F	inner shield
Sin	G	yellow
Cos	H	green
Temp.	L	black
Shield	Housing	outer Shield

**C-Connector**

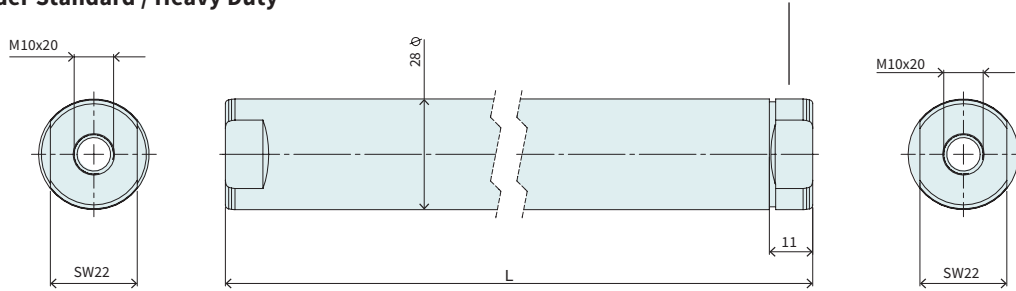


View: Motor Connector, plug side

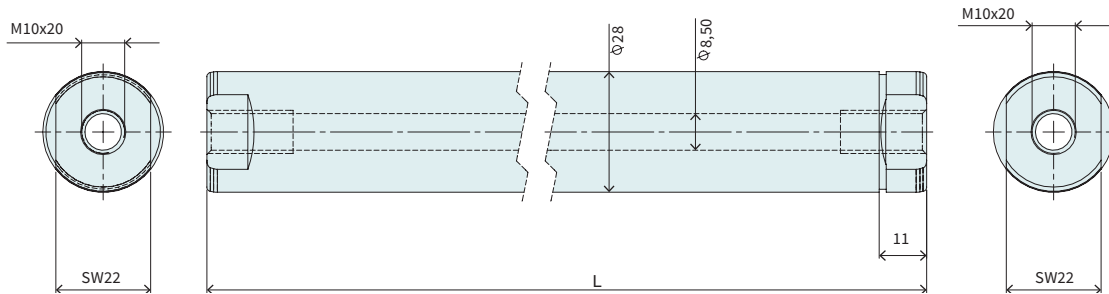
**SLIDER**

Number of grooves determines the slider type (see chapter 2 / slider) and marks the front end.

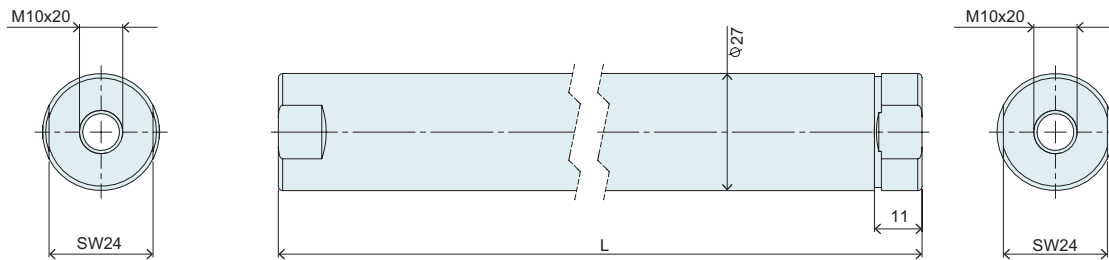
**Slider Standard / Heavy Duty**



**Hollow slider**



**High-Clearance Slider**



Slider Standard				
Item	Description	Max. Stroke [mm]	Standard Stroke [mm]	Item-No.
PL01-28x350/270	Slider 'standard'	180	30	0150-1380
PL01-28x410/330	Slider 'standard'	240	90	0150-1381
PL01-28x500/420	Slider 'standard'	330	180	0150-1382
PL01-28x620/540	Slider 'standard'	450	300	0150-1383
PL01-28x710/630	Slider 'standard'	540	390	0150-1384
PL01-28x800/720	Slider 'standard'	630	480	0150-1385
PL01-28x920/840	Slider 'standard'	750	600	0150-1386
PL01-28x1010/930	Slider 'standard'	840	690	0150-1387
PL01-28x1220/1140	Slider 'standard'	1050	900	0150-1388
PL01-28x1400/1320	Slider 'standard'	1230	1080	0150-1389
PL01-28x1610/1530	Slider 'standard'	1440	1290	0150-1390
PL01-28x1820/1740	Slider 'standard'	1650	1500	0150-1395
PL01-28x2000/1920	Slider 'standard'	1830	1680	0150-1396

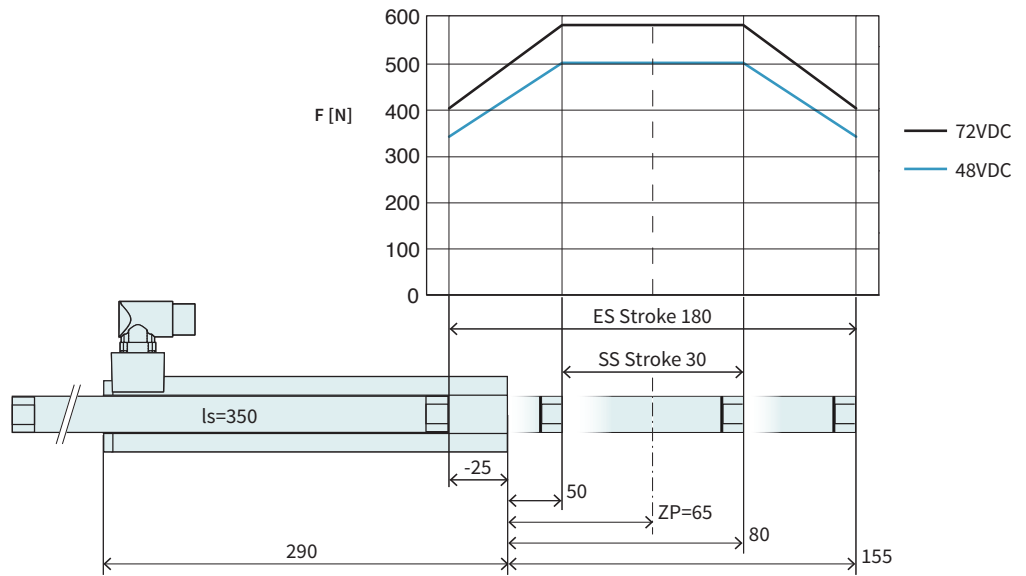
Slider Heavy Duty				
Item	Description	Max. Stroke [mm]	Standard Stroke [mm]	Item-No.
PL02-28x350/270	Slider 'heavy duty'	180	30	0150-1411
PL02-28x410/330	Slider 'heavy duty'	240	90	0150-1412
PL02-28x500/420	Slider 'heavy duty'	330	180	0150-1413
PL02-28x620/540	Slider 'heavy duty'	450	300	0150-1414
PL02-28x710/630	Slider 'heavy duty'	540	390	0150-1415
PL02-28x800/720	Slider 'heavy duty'	630	480	0150-1416
PL02-28x920/840	Slider 'heavy duty'	750	600	0150-1417

Slider Hollow slider				
Item	Description	Max. Stroke [mm]	Standard Stroke [mm]	Item-No.
PL01-28x350/270	Slider 'standard L'	180	30	0150-1475
PL01-28x410/330	Slider 'standard L'	240	90	0150-1476
PL01-28x500/420	Slider 'standard L'	330	180	0150-1480
PL01-28x620/540	Slider 'standard L'	450	300	0150-1481
PL01-28x710/630	Slider 'standard L'	540	390	0150-1482
PL01-28x800/720	Slider 'standard L'	630	480	0150-1483
PL01-28x920/840	Slider 'standard L'	750	600	0150-1484

High-Clearance Slider				
Item	Description	Max. Stroke [mm]	Standard Stroke [mm]	Item-No.
PL01-27x350/270	Slider 'high clearance'	180	30	0150-1467
PL01-27x410/330	Slider 'high clearance'	240	90	0150-1468
PL01-27x500/420	Slider 'high clearance'	330	180	0150-1469
PL01-27x620/540	Slider 'high clearance'	450	300	0150-1470
PL01-27x710/630	Slider 'high clearance'	540	390	0150-1471

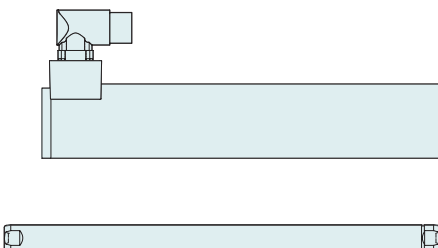
**P01-48x240/30x180**

**Max. Stroke:** 180 mm  
**Peak Force:** 585 N



Dimensions in mm

Technical Data P01-48x240/30x180			
<b>Stroke</b>			
Standard Stroke (SS)	mm (in)	30	(1.17)
Extended Stroke (ES)	mm (in)	180	(7.08)
<b>Force</b>			
Max. Force @ 48VDC	N (lbf)	497	(112)
Max. Force @ 72VDC	N (lbf)	585	(132)
Max. Cont. Force [Passive cooling / Fan / Fluid]	N (lbf)	140 / 250 / -	(32 / 56 / -)
Max. Border Force relative	%	69	
Force Constant	N/A <sub>pk</sub> (lbf/A <sub>pk</sub> )	39	(8.77)
<b>Velocity</b>			
Max. Velocity @ 48VDC	m/s (in/s)	1.1	(44.9)
Max. Velocity @ 72VDC	m/s (in/s)	1.6	(66.9)
<b>Position Detection</b>			
Repeatability	mm (in)	±0.05	(±0.002)
Linearity	%	± 0.5	
<b>Electrical Data</b>			
Max. Current @ 48VDC	A <sub>pk</sub>	12.6	
Max. Current @ 72VDC	A <sub>pk</sub>	14.9	
Max. Cont. Current [Passive cooling / Fan / Fluid]	A <sub>pk</sub>	3.6 / 6.4 / -	
<b>Thermal Data</b>			
Max. Winding Temperature (Sensor)	°C	90	
Thermal Resistance [Passive cooling / Fan / Fluid]	*K/W	0.95 / 0.31 / -	
Thermal Time Constant [Passive cooling / Fan / Fluid]	s	970 / 320 / -	
<b>Mechanical Data</b>			
Slider Length	mm (in)	350	(14)
Slider Mass	g (lb)	1460	(3.21)



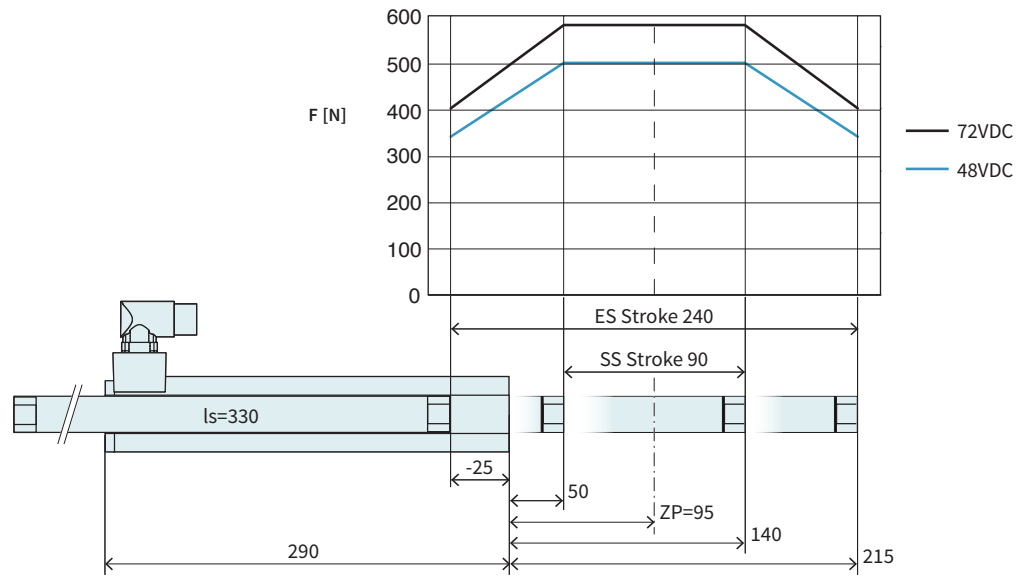
Item	Description	Item-No.
<b>PS01-48x240-C</b>	Stator with IP67 Connector M23/9(m)	0150-1219
<b>PL01-28x350/270</b>	Slider 'standard'	0150-1380
<b>PL02-28x350/270</b>	Slider 'heavy duty'	0150-1411
<b>PL01-28x350/270-L*</b>	Slider 'standard L'	0150-1475
<b>PL01-27x350/270*</b>	Slider 'high clearance'	0150-1467

\* With this slider, the motor specifications above change.

**P01-48x240/90x240**

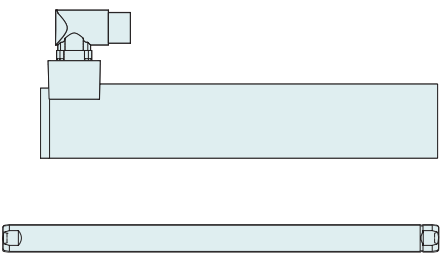
3

**Max. Stroke:** 240 mm  
**Peak Force:** 585 N



Dimensions in mm

Technical Data P01-48x240/90x240			
<b>Stroke</b>			
Standard Stroke (SS)	mm (in)	90 (3.53)	
Extended Stroke (ES)	mm (in)	240 (9.44)	
<b>Force</b>			
Max. Force @ 48VDC	N (lbf)	497 (112)	
Max. Force @ 72VDC	N (lbf)	585 (132)	
Max. Cont. Force [Passive cooling / Fan / Fluid]	N (lbf)	140 / 250 / - (32 / 56 / -)	
Max. Border Force relative	%	69	
Force Constant	N/A <sub>pk</sub> (lbf/A <sub>pk</sub> )	39 (8.77)	
<b>Velocity</b>			
Max. Velocity @ 48VDC	m/s (in/s)	1.1 (44.9)	
Max. Velocity @ 72VDC	m/s (in/s)	1.6 (66.9)	
<b>Position Detection</b>			
Repeatability	mm (in)	±0.05 (±0.002)	
Linearity	%	± 0.4	
<b>Electrical Data</b>			
Max. Current @ 48VDC	A <sub>pk</sub>	12.6	
Max. Current @ 72VDC	A <sub>pk</sub>	14.9	
Max. Cont. Current [Passive cooling / Fan / Fluid]	A <sub>pk</sub>	3.6 / 6.4 / -	
<b>Thermal Data</b>			
Max. Winding Temperature (Sensor)	°C	90	
Thermal Resistance [Passive cooling / Fan / Fluid]	°K/W	0.95 / 0.31 / -	
Thermal Time Constant [Passive cooling / Fan / Fluid]	s	970 / 320 / -	
<b>Mechanical Data</b>			
Slider Length	mm (in)	410 (16)	
Slider Mass	g (lb)	1740 (3.83)	

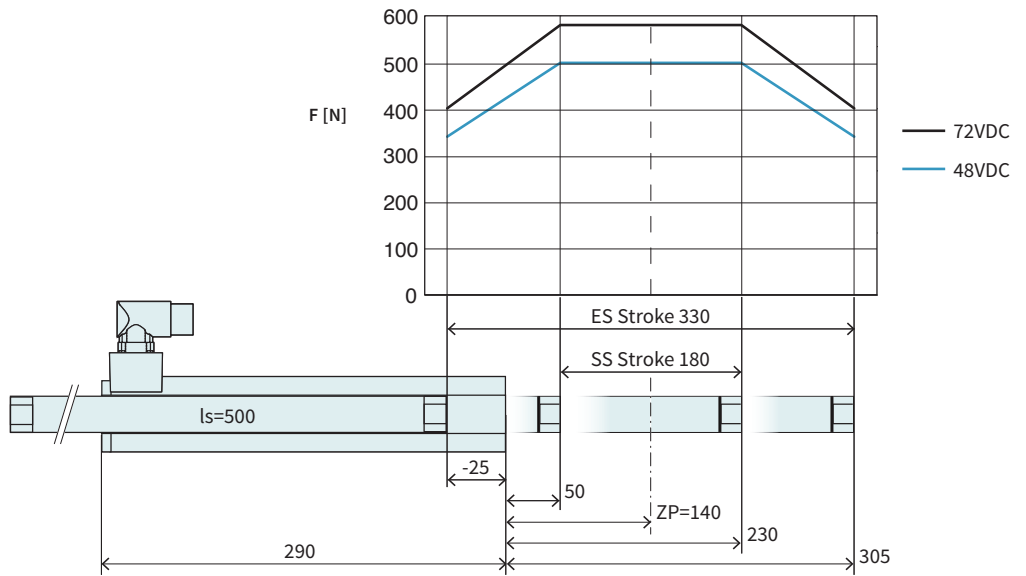


Item	Description	Item-No.
<b>PS01-48x240-C</b>	Stator with IP67 Connector M23/9(m)	0150-1219
<b>PL01-28x410/330</b>	Slider 'standard'	0150-1381
<b>PL02-28x410/330</b>	Slider 'heavy duty'	0150-1412
<b>PL01-28x410/330-L*</b>	Slider 'standard L'	0150-1476
<b>PL01-27x410/330*</b>	Slider 'high clearance'	0150-1468

\* With this slider, the motor specifications above change.

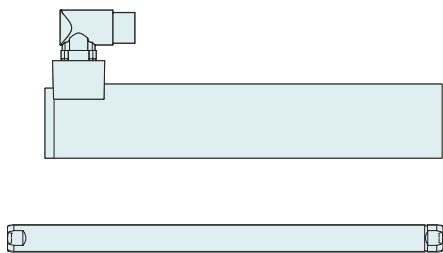
**P01-48x240/180x330**

**Max. Stroke:** 330 mm  
**Peak Force:** 585 N



Dimensions in mm

Technical Data P01-48x240/180x330			
<b>Stroke</b>			
Standard Stroke (SS)	mm (in)	180 (7.08)	
Extended Stroke (ES)	mm (in)	330 (12.99)	
<b>Force</b>			
Max. Force @ 48VDC	N (lbf)	497 (112)	
Max. Force @ 72VDC	N (lbf)	585 (132)	
Max. Cont. Force [Passive cooling / Fan / Fluid]	N (lbf)	140 / 250 / -	(32 / 56 / -)
Max. Border Force relative	%	69	
Force Constant	N/A <sub>pk</sub> (lbf/A <sub>pk</sub> )	39	(8.77)
<b>Velocity</b>			
Max. Velocity @ 48VDC	m/s (in/s)	1.1 (44.9)	
Max. Velocity @ 72VDC	m/s (in/s)	1.6 (66.9)	
<b>Position Detection</b>			
Repeatability	mm (in)	±0.05 (±0.002)	
Linearity	%	± 0.35	
<b>Electrical Data</b>			
Max. Current @ 48VDC	A <sub>pk</sub>	12.6	
Max. Current @ 72VDC	A <sub>pk</sub>	14.9	
Max. Cont. Current [Passive cooling / Fan / Fluid]	A <sub>pk</sub>	3.6 / 6.4 / -	
<b>Thermal Data</b>			
Max. Winding Temperature (Sensor)	°C	90	
Thermal Resistance [Passive cooling / Fan / Fluid]	°K/W	0.95 / 0.31 / -	
Thermal Time Constant [Passive cooling / Fan / Fluid]	s	970 / 320 / -	
<b>Mechanical Data</b>			
Slider Length	mm (in)	500 (20)	
Slider Mass	g (lb)	2160 (4.75)	



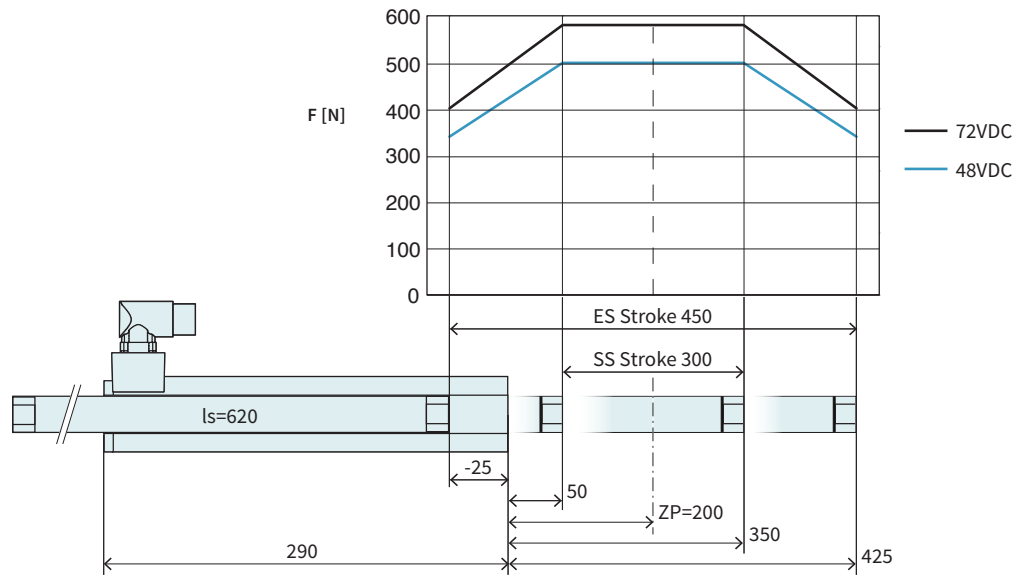
Item	Description	Item-No.
<b>PS01-48x240-C</b>	Stator with IP67 Connector M23/9(m)	0150-1219
<b>PL01-28x500/420</b>	Slider 'standard'	0150-1382
<b>PL02-28x500/420</b>	Slider 'heavy duty'	0150-1413
<b>PL01-28x500/420-L*</b>	Slider 'standard L'	0150-1480
<b>PL01-27x500/420*</b>	Slider 'high clearance'	0150-1469

\* With this slider, the motor specifications above change.

**P01-48x240/300x450**

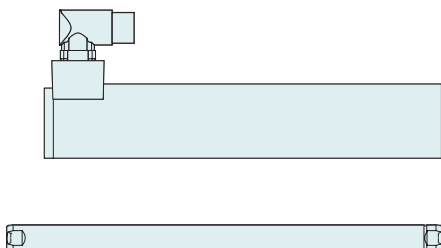
**Max. Stroke:** 450 mm  
**Peak Force:** 585 N

Dimensions in mm



Technical Data P01-48x240/300x450

Stroke			
Standard Stroke (SS)	mm (in)	300	(11.8)
Extended Stroke (ES)	mm (in)	450	(17.69)
Force			
Max. Force @ 48VDC	N (lbf)	497	(112)
Max. Force @ 72VDC	N (lbf)	585	(132)
Max. Cont. Force [Passive cooling / Fan / Fluid]	N (lbf)	140 / 250 / -	(32 / 56 / -)
Max. Border Force relative	%	69	
Force Constant	N/A <sub>pk</sub> (lbf/A <sub>pk</sub> )	39	(8.77)
Velocity			
Max. Velocity @ 48VDC	m/s (in/s)	1.1	(44.9)
Max. Velocity @ 72VDC	m/s (in/s)	1.6	(66.9)
Position Detection			
Repeatability	mm (in)	±0.05	(±0.002)
Linearity	%	± 0.25	
Electrical Data			
Max. Current @ 48VDC	A <sub>pk</sub>	12.6	
Max. Current @ 72VDC	A <sub>pk</sub>	14.9	
Max. Cont. Current [Passive cooling / Fan / Fluid]	A <sub>pk</sub>	3.6 / 6.4 / -	
Thermal Data			
Max. Winding Temperature (Sensor)	°C	90	
Thermal Resistance [Passive cooling / Fan / Fluid]	°K/W	0.95 / 0.31 / -	
Thermal Time Constant [Passive cooling / Fan / Fluid]	s	970 / 320 / -	
Mechanical Data			
Slider Length	mm (in)	620	(24)
Slider Mass	g (lb)	2720	(5.98)



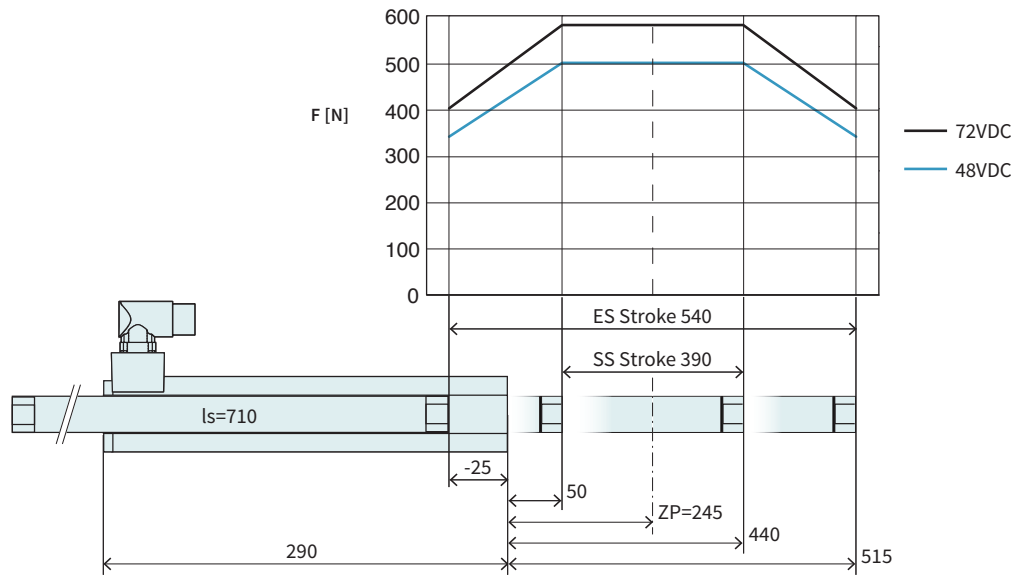
Item	Description	Item-No.
<b>PS01-48x240-C</b>	Stator with IP67 Connector M23/9(m)	0150-1219
<b>PL01-28x620/540</b>	Slider 'standard'	0150-1383
<b>PL02-28x620/540</b>	Slider 'heavy duty'	0150-1414
<b>PL01-28x620/540-L*</b>	Slider 'standard L'	0150-1481
<b>PL01-27x620/540*</b>	Slider 'high clearance'	0150-1470

\* With this slider, the motor specifications above change.



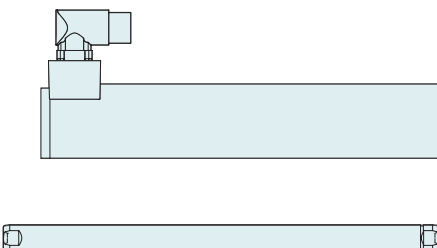
**P01-48x240/390x540**

**Max. Stroke:** 540 mm  
**Peak Force:** 585 N



Dimensions in mm

Technical Data P01-48x240/390x540			
<b>Stroke</b>			
Standard Stroke (SS)	mm (in)	390 (15.4)	
Extended Stroke (ES)	mm (in)	540 (21.3)	
<b>Force</b>			
Max. Force @ 48VDC	N (lbf)	497 (112)	
Max. Force @ 72VDC	N (lbf)	585 (132)	
Max. Cont. Force [Passive cooling / Fan / Fluid]	N (lbf)	140 / 250 / -	(32 / 56 / -)
Max. Border Force relative	%	69	
Force Constant	N/A <sub>pk</sub> (lbf/A <sub>pk</sub> )	39	(8.77)
<b>Velocity</b>			
Max. Velocity @ 48VDC	m/s (in/s)	1.1	(44.9)
Max. Velocity @ 72VDC	m/s (in/s)	1.6	(66.9)
<b>Position Detection</b>			
Repeatability	mm (in)	±0.05	(±0.002)
Linearity	%	± 0.25	
<b>Electrical Data</b>			
Max. Current @ 48VDC	A <sub>pk</sub>	12.6	
Max. Current @ 72VDC	A <sub>pk</sub>	14.9	
Max. Cont. Current [Passive cooling / Fan / Fluid]	A <sub>pk</sub>	3.6 / 6.4 / -	
<b>Thermal Data</b>			
Max. Winding Temperature (Sensor)	°C	90	
Thermal Resistance [Passive cooling / Fan / Fluid]	°K/W	0.95 / 0.31 / -	
Thermal Time Constant [Passive cooling / Fan / Fluid]	s	970 / 320 / -	
<b>Mechanical Data</b>			
Slider Length	mm (in)	710	(28)
Slider Mass	g (lb)	3140	(6.91)



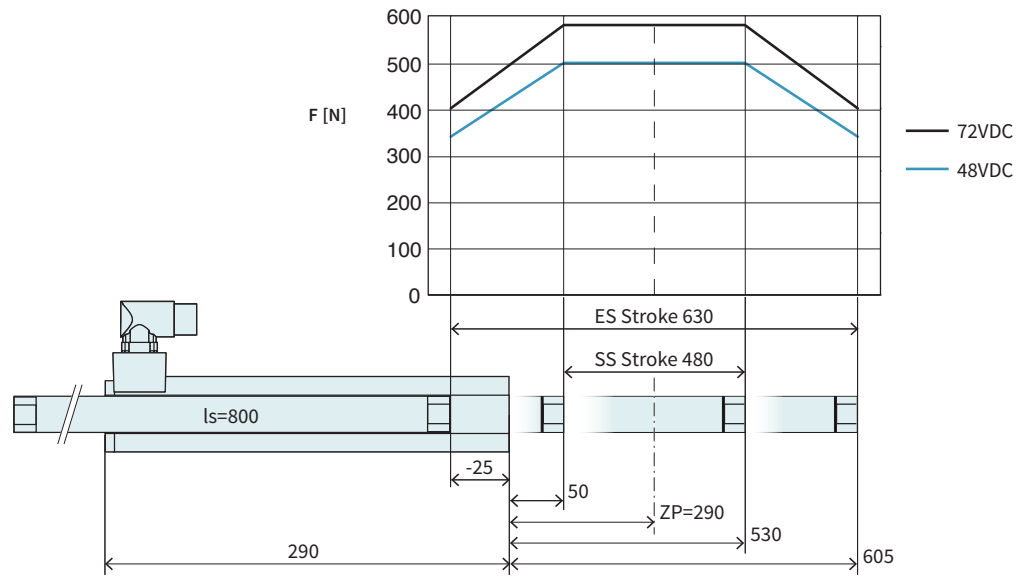
Item	Description	Item-No.
<b>PS01-48x240-C</b>	Stator with IP67 Connector M23/9(m)	0150-1219
<b>PL01-28x710/630</b>	Slider 'standard'	0150-1384
<b>PL02-28x710/630</b>	Slider 'heavy duty'	0150-1415
<b>PL01-28x710/630-L*</b>	Slider 'standard L'	0150-1482
<b>PL01-27x710/630*</b>	Slider 'high clearance'	0150-1471

\* With this slider, the motor specifications above change.

**P01-48x240/480x630**

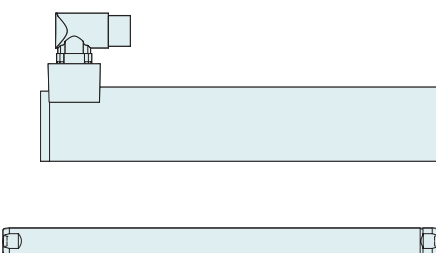
3

**Max. Stroke:** 630 mm  
**Peak Force:** 585 N



Dimensions in mm

Technical Data P01-48x240/480x630			
<b>Stroke</b>			
Standard Stroke (SS)	mm (in)		480 (18.89)
Extended Stroke (ES)	mm (in)		630 (24.8)
<b>Force</b>			
Max. Force @ 48VDC	N (lbf)		497 (112)
Max. Force @ 72VDC	N (lbf)		585 (132)
Max. Cont. Force [Passive cooling / Fan / Fluid]	N (lbf)		140 / 250 / - (32 / 56 / -)
Max. Border Force relative	%		69
Force Constant	N/A <sub>pk</sub> (lbf/A <sub>pk</sub> )		39 (8.77)
<b>Velocity</b>			
Max. Velocity @ 48VDC	m/s (in/s)		1.1 (44.9)
Max. Velocity @ 72VDC	m/s (in/s)		1.6 (66.9)
<b>Position Detection</b>			
Repeatability	mm (in)		±0.05 (±0.002)
Linearity	%		± 0.2
<b>Electrical Data</b>			
Max. Current @ 48VDC	A <sub>pk</sub>		12.6
Max. Current @ 72VDC	A <sub>pk</sub>		14.9
Max. Cont. Current [Passive cooling / Fan / Fluid]	A <sub>pk</sub>		3.6 / 6.4 / -
<b>Thermal Data</b>			
Max. Winding Temperature (Sensor)	°C		90
Thermal Resistance [Passive cooling / Fan / Fluid]	°K/W		0.95 / 0.31 / -
Thermal Time Constant [Passive cooling / Fan / Fluid]	s		970 / 320 / -
<b>Mechanical Data</b>			
Slider Length	mm (in)		800 (31)
Slider Mass	g (lb)		3560 (7.83)

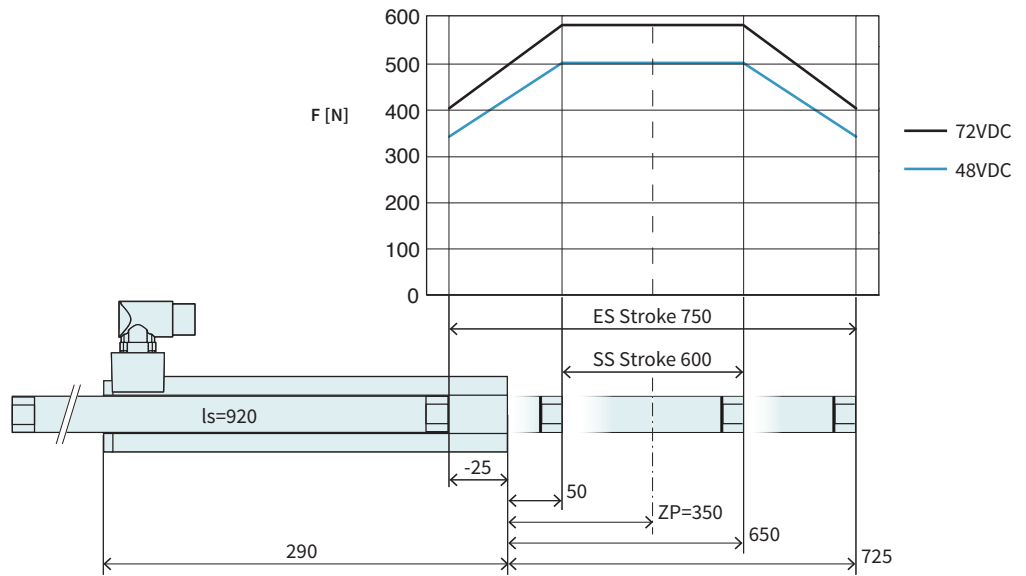


Item	Description	Item-No.
<b>PS01-48x240-C</b>	Stator with IP67 Connector M23/9(m)	0150-1219
<b>PL01-28x800/720</b>	Slider 'standard'	0150-1385
<b>PL02-28x800/720</b>	Slider 'heavy duty'	0150-1416
<b>PL01-28x800/720-L*</b>	Slider 'standard L'	0150-1483

\* With this slider, the motor specifications above change.

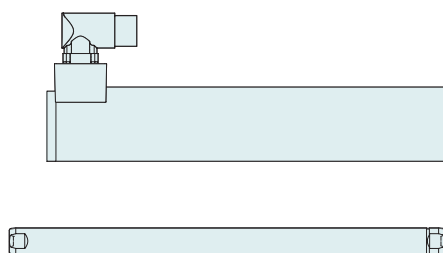
**P01-48x240/600x750**

**Max. Stroke:** 750 mm  
**Peak Force:** 585 N



Dimensions in mm

Technical Data P01-48x240/600x750				
<b>Stroke</b>				
Standard Stroke (SS)	mm	(in)	600	(23.6)
Extended Stroke (ES)	mm	(in)	750	(29.49)
<b>Force</b>				
Max. Force @ 48VDC	N	(lbf)	497	(112)
Max. Force @ 72VDC	N	(lbf)	585	(132)
Max. Cont. Force [Passive cooling / Fan / Fluid]	N	(lbf)	140 / 250 / -	(32 / 56 / -)
Max. Border Force relative	%		69	
Force Constant	N/A <sub>pk</sub>	(lbf/A <sub>pk</sub> )	39	(8.77)
<b>Velocity</b>				
Max. Velocity @ 48VDC	m/s	(in/s)	1.1	(44.9)
Max. Velocity @ 72VDC	m/s	(in/s)	1.6	(66.9)
<b>Position Detection</b>				
Repeatability	mm	(in)	±0.05	(±0.002)
Linearity	%		± 0.2	
<b>Electrical Data</b>				
Max. Current @ 48VDC	A <sub>pk</sub>		12.6	
Max. Current @ 72VDC	A <sub>pk</sub>		14.9	
Max. Cont. Current [Passive cooling / Fan / Fluid]	A <sub>pk</sub>		3.6 / 6.4 / -	
<b>Thermal Data</b>				
Max. Winding Temperature (Sensor)	°C		90	
Thermal Resistance [Passive cooling / Fan / Fluid]	°K/W		0.95 / 0.31 / -	
Thermal Time Constant [Passive cooling / Fan / Fluid]	s		970 / 320 / -	
<b>Mechanical Data</b>				
Slider Length	mm	(in)	920	(36)
Slider Mass	g	(lb)	4120	(9.06)

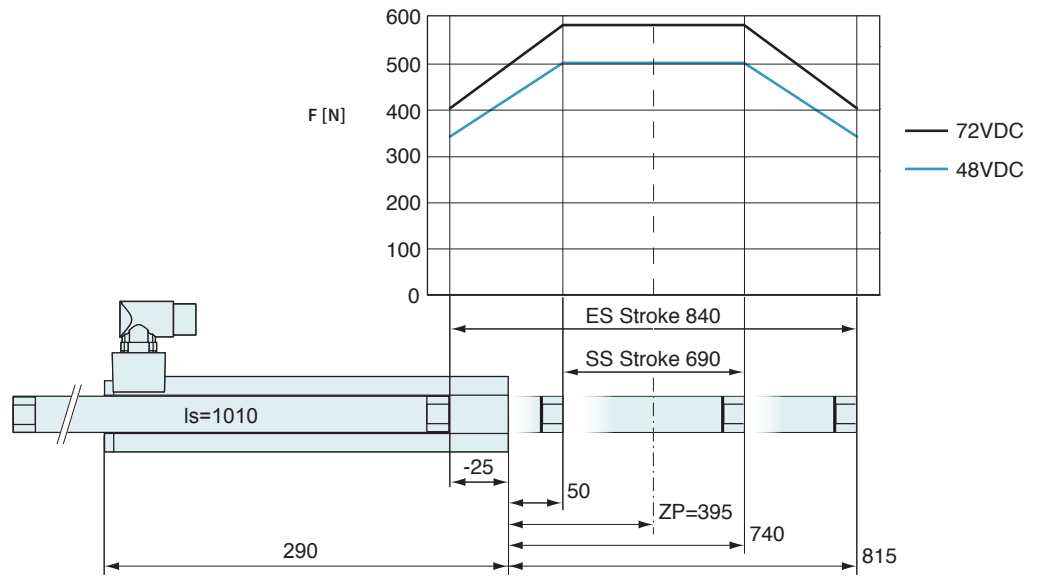


Item	Description	Item-No.
<b>PS01-48x240-C</b>	Stator with IP67 Connector M23/9(m)	0150-1219
<b>PL01-28x920/840</b>	Slider 'standard'	0150-1386
<b>PL02-28x920/840</b>	Slider 'heavy duty'	0150-1417
<b>PL01-28x920/840-L*</b>	Slider 'standard L'	0150-1484

\* With this slider, the motor specifications above change.

**P01-48x240/690x840**

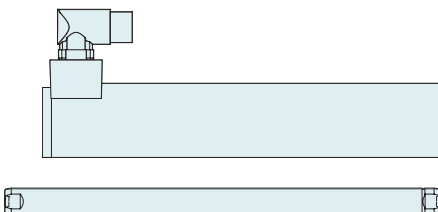
**Max. Stroke:** 840 mm  
**Peak Force:** 585 N



Dimensions in mm

Technical Data P01-48x240/690x840

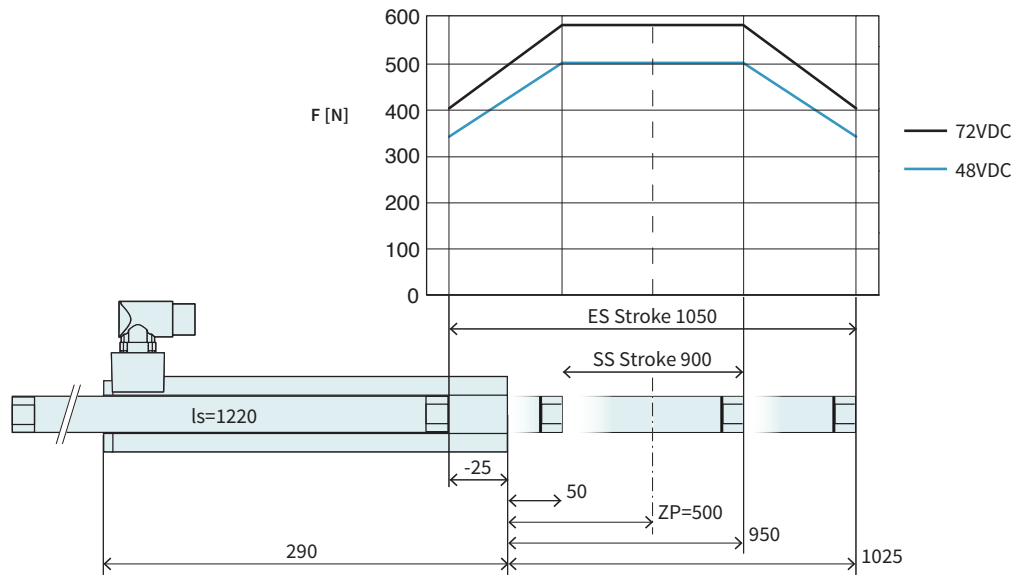
Stroke			
Standard Stroke (SS)	mm	(in)	690 (27.19)
Extended Stroke (ES)	mm	(in)	840 (33.1)
Force			
Max. Force @ 48VDC	N	(lbf)	497 (112)
Max. Force @ 72VDC	N	(lbf)	585 (132)
Max. Cont. Force [Passive cooling / Fan / Fluid]	N	(lbf)	140 / 250 / - (32 / 56 / -)
Max. Border Force relative			69
Force Constant	N/A <sub>pk</sub>	(lbf/A <sub>pk</sub> )	39 (8.77)
Velocity			
Max. Velocity @ 48VDC	m/s	(in/s)	1.1 (44.9)
Max. Velocity @ 72VDC	m/s	(in/s)	1.6 (66.9)
Position Detection			
Repeatability	mm	(in)	±0.05 (±0.002)
Linearity			± 0.2
Electrical Data			
Max. Current @ 48VDC	A <sub>pk</sub>	12.6	
Max. Current @ 72VDC	A <sub>pk</sub>	14.9	
Max. Cont. Current [Passive cooling / Fan / Fluid]	A <sub>pk</sub>	3.6 / 6.4 / -	
Thermal Data			
Max. Winding Temperature (Sensor)	°C	90	
Thermal Resistance [Passive cooling / Fan / Fluid]	°K/W	0.95 / 0.31 / -	
Thermal Time Constant [Passive cooling / Fan / Fluid]	s	970 / 320 / -	
Mechanical Data			
Slider Length	mm	(in)	1010 (40)
Slider Mass	g	(lb)	4540 (10)



Item	Description	Item-No.
<b>PS01-48x240-C</b>	Stator with IP67 Connector M23/9(m)	0150-1219
<b>PL01-28x1010/930</b>	Slider 'standard'	0150-1387

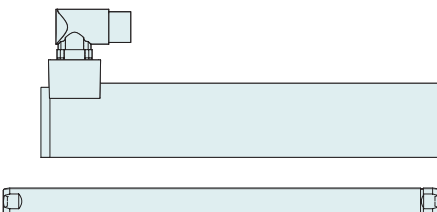
**P01-48x240/900x1050**

**Max. Stroke:** 1050 mm  
**Peak Force:** 585 N



Dimensions in mm

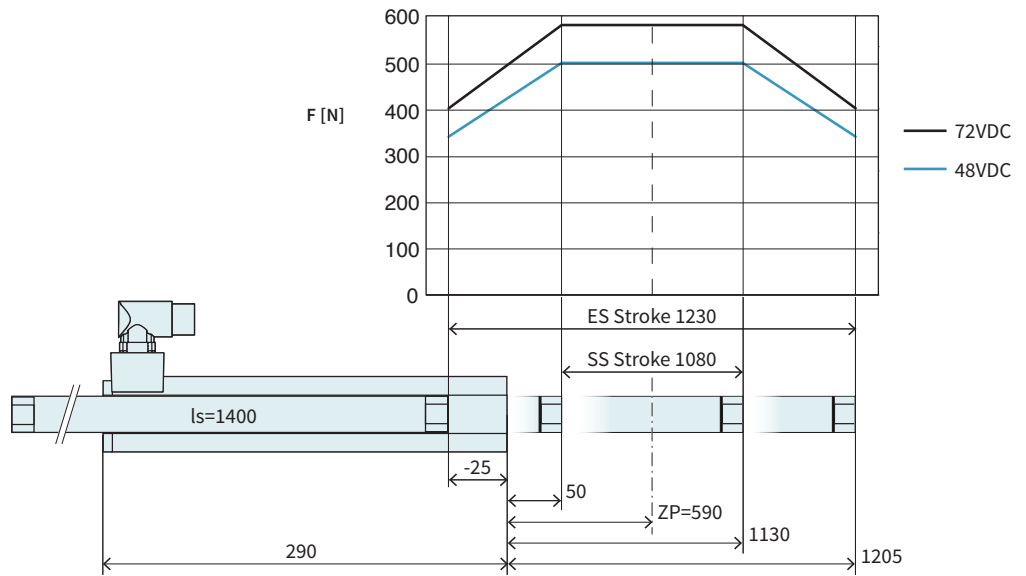
Technical Data P01-48x240/900x1050			
<b>Stroke</b>			
Standard Stroke (SS)	mm (in)	900 (35.39)	
Extended Stroke (ES)	mm (in)	1050 (41.29)	
<b>Force</b>			
Max. Force @ 48VDC	N (lbf)	497 (112)	
Max. Force @ 72VDC	N (lbf)	585 (132)	
Max. Cont. Force [Passive cooling / Fan / Fluid]	N (lbf)	140 / 250 / -	(32 / 56 / -)
Max. Border Force relative	%	69	
Force Constant	N/A <sub>pk</sub> (lbf/A <sub>pk</sub> )	39	(8.77)
<b>Velocity</b>			
Max. Velocity @ 48VDC	m/s (in/s)	1.1	(44.9)
Max. Velocity @ 72VDC	m/s (in/s)	1.6	(66.9)
<b>Position Detection</b>			
Repeatability	mm (in)	±0.05	(±0.002)
Linearity	%	± 0.15	
<b>Electrical Data</b>			
Max. Current @ 48VDC	A <sub>pk</sub>	12.6	
Max. Current @ 72VDC	A <sub>pk</sub>	14.9	
Max. Cont. Current [Passive cooling / Fan / Fluid]	A <sub>pk</sub>	3.6 / 6.4 / -	
<b>Thermal Data</b>			
Max. Winding Temperature (Sensor)	°C	90	
Thermal Resistance [Passive cooling / Fan / Fluid]	*K/W	0.95 / 0.31 / -	
Thermal Time Constant [Passive cooling / Fan / Fluid]	s	970 / 320 / -	
<b>Mechanical Data</b>			
Slider Length	mm (in)	1220	(48)
Slider Mass	g (lb)	5510	(12.12)



Item	Description	Item-No.
<b>PS01-48x240-C</b>	Stator with IP67 Connector M23/9(m)	0150-1219
<b>PL01-28x1220/1140</b>	Slider 'standard'	0150-1388

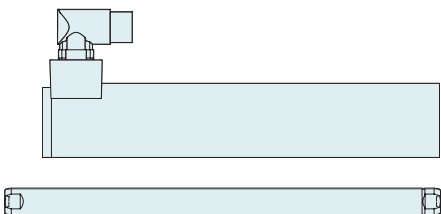
**P01-48x240/1080x1230**

**Max. Stroke:** 1230 mm  
**Peak Force:** 585 N



Dimensions in mm

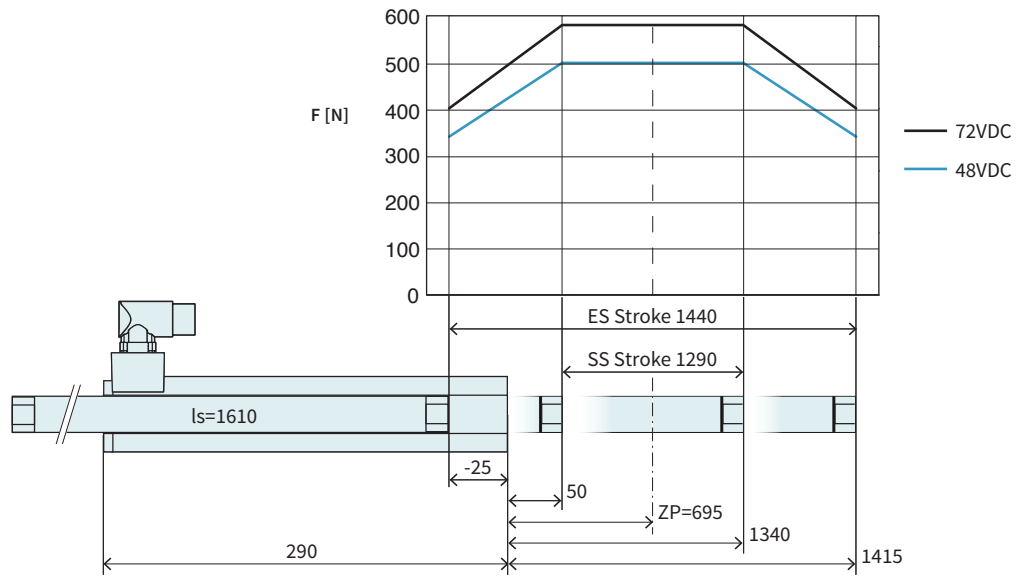
Technical Data P01-48x240/1080x1230			
<b>Stroke</b>			
Standard Stroke (SS)	mm (in)		1080 (42.49)
Extended Stroke (ES)	mm (in)		1230 (48.39)
<b>Force</b>			
Max. Force @ 48VDC	N (lbf)		497 (112)
Max. Force @ 72VDC	N (lbf)		585 (132)
Max. Cont. Force [Passive cooling/ Fan / Fluid]	N (lbf)		140 / 250 / - (32 / 56 / -)
Max. Border Force relative	%		69
Force Constant	N/A <sub>pk</sub> (lbf/A <sub>pk</sub> )		39 (8.77)
<b>Velocity</b>			
Max. Velocity @ 48VDC	m/s (in/s)		1.1 (44.9)
Max. Velocity @ 72VDC	m/s (in/s)		1.6 (66.9)
<b>Position Detection</b>			
Repeatability	mm (in)		±0.05 (±0.002)
Linearity	%		± 0.15
<b>Electrical Data</b>			
Max. Current @ 48VDC	A <sub>pk</sub>		12.6
Max. Current @ 72VDC	A <sub>pk</sub>		14.9
Max. Cont. Current [Passive cooling / Fan / Fluid]	A <sub>pk</sub>		3.6 / 6.4 / -
<b>Thermal Data</b>			
Max. Winding Temperature (Sensor)	°C		90
Thermal Resistance [Passive cooling / Fan / Fluid]	°K/W		0.95 / 0.31 / -
Thermal Time Constant [Passive cooling / Fan / Fluid]	s		970 / 320 / -
<b>Mechanical Data</b>			
Slider Length	mm (in)		1400 (55)
Slider Mass	g (lb)		6350 (13.97)



Item	Description	Item-No.
<b>PS01-48x240-C</b>	Stator with IP67 Connector M23/9(m)	0150-1219
<b>PL01-28x1400/1320</b>	Slider 'standard'	0150-1389

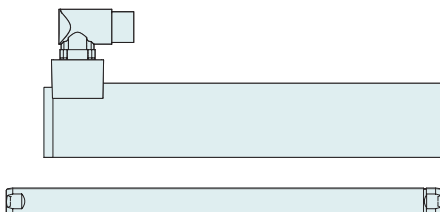
**P01-48x240/1290x1440**

**Max. Stroke:** 1440 mm  
**Peak Force:** 585 N



Dimensions in mm

Technical Data P01-48x240/1290x1440				
<b>Stroke</b>				
Standard Stroke (SS)	mm	(in)	1290	(50.79)
Extended Stroke (ES)	mm	(in)	1440	(56.7)
<b>Force</b>				
Max. Force @ 48VDC	N	(lbf)	497	(112)
Max. Force @ 72VDC	N	(lbf)	585	(132)
Max. Cont. Force [Passive cooling / Fan / Fluid]	N	(lbf)	140 / 250 / -	(32 / 56 / -)
Max. Border Force relative	%		69	
Force Constant	N/A <sub>pk</sub>	(lbf/A <sub>pk</sub> )	39	(8.77)
<b>Velocity</b>				
Max. Velocity @ 48VDC	m/s	(in/s)	1.1	(44.9)
Max. Velocity @ 72VDC	m/s	(in/s)	1.6	(66.9)
<b>Position Detection</b>				
Repeatability	mm	(in)	±0.05	(±0.002)
Linearity	%		± 0.15	
<b>Electrical Data</b>				
Max. Current @ 48VDC	A <sub>pk</sub>		12.6	
Max. Current @ 72VDC	A <sub>pk</sub>		14.9	
Max. Cont. Current [Passive cooling / Fan / Fluid]	A <sub>pk</sub>		3.6 / 6.4 / -	
<b>Thermal Data</b>				
Max. Winding Temperature (Sensor)	°C		90	
Thermal Resistance [Passive cooling / Fan / Fluid]	°K/W		0.95 / 0.31 / -	
Thermal Time Constant [Passive cooling / Fan / Fluid]	s		970 / 320 / -	
<b>Mechanical Data</b>				
Slider Length	mm	(in)	1610	(63)
Slider Mass	g	(lb)	7330	(16.13)

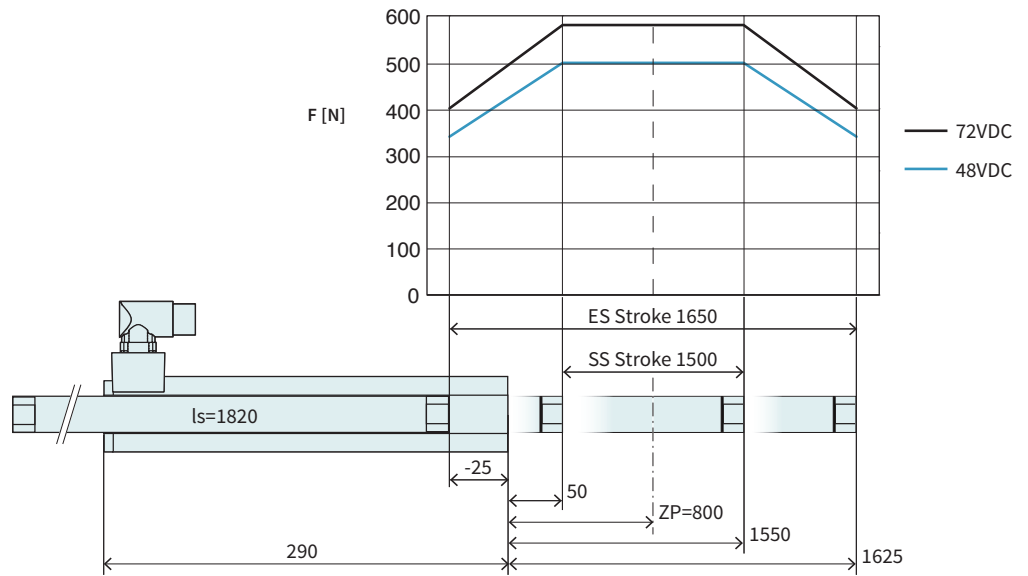


Item	Description	Item-No.
<b>PS01-48x240-C</b>	Stator with IP67 Connector M23/9(m)	0150-1219
<b>PL01-28x1610/1530</b>	Slider 'standard'	0150-1390

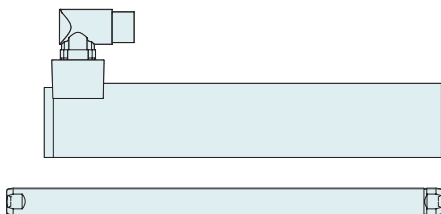
**P01-48x240/1500x1650**

**Max. Stroke:** 1650 mm  
**Peak Force:** 585 N

Dimensions in mm



Technical Data P01-48x240/1500x1650			
<b>Stroke</b>			
Standard Stroke (SS)	mm (in)	1500 (59.1)	
Extended Stroke (ES)	mm (in)	1650 (64.99)	
<b>Force</b>			
Max. Force @ 48VDC	N (lbf)	497 (112)	
Max. Force @ 72VDC	N (lbf)	585 (132)	
Max. Cont. Force [Passive cooling / Fan / Fluid]	N (lbf)	140 / 250 / -	(32 / 56 / -)
Max. Border Force relative	%	69	
Force Constant	N/A <sub>pk</sub> (lbf/A <sub>pk</sub> )	39	(8.77)
<b>Velocity</b>			
Max. Velocity @ 48VDC	m/s (in/s)	1.1	(44.9)
Max. Velocity @ 72VDC	m/s (in/s)	1.6	(66.9)
<b>Position Detection</b>			
Repeatability	mm (in)	±0.05	(±0.002)
Linearity	%	± 0.15	
<b>Electrical Data</b>			
Max. Current @ 48VDC	A <sub>pk</sub>	12.6	
Max. Current @ 72VDC	A <sub>pk</sub>	14.9	
Max. Cont. Current [Passive cooling / Fan / Fluid]	A <sub>pk</sub>	3.6 / 6.4 / -	
<b>Thermal Data</b>			
Max. Winding Temperature (Sensor)	°C	90	
Thermal Resistance [Passive cooling / Fan / Fluid]	°K/W	0.95 / 0.31 / -	
Thermal Time Constant [Passive cooling / Fan / Fluid]	s	970 / 320 / -	
<b>Mechanical Data</b>			
Slider Length	mm (in)	1820	(72)
Slider Mass	g (lb)	8300	(18.26)

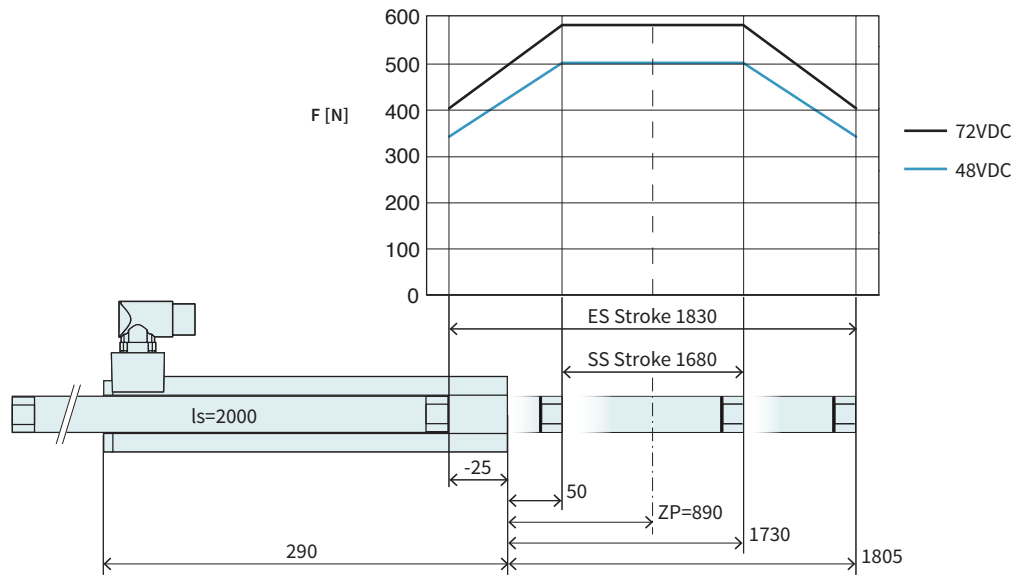


Item	Description	Item-No.
<b>PS01-48x240-C</b>	Stator with IP67 Connector M23/9(m)	0150-1219
<b>PL01-28x1820/1740</b>	Slider 'standard'	0150-1395



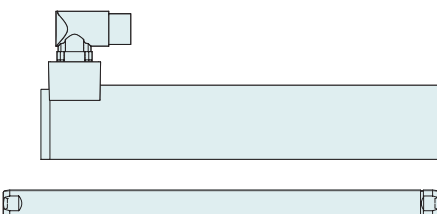
**P01-48x240/1680x1830**

**Max. Stroke:** 1830 mm  
**Peak Force:** 585 N



Dimensions in mm

Technical Data P01-48x240/1680x1830				
<b>Stroke</b>				
Standard Stroke (SS)	mm (in)		1680 (66.09)	
Extended Stroke (ES)	mm (in)		1830 (71.99)	
<b>Force</b>				
Max. Force @ 48VDC	N (lbf)		497 (112)	
Max. Force @ 72VDC	N (lbf)		585 (132)	
Max. Cont. Force [Passive cooling / Fan / Fluid]	N (lbf)		140 / 250 / - (32 / 56 / -)	
Max. Border Force relative	%		69	
Force Constant	N/A <sub>pk</sub> (lbf/A <sub>pk</sub> )		39 (8.77)	
<b>Velocity</b>				
Max. Velocity @ 48VDC	m/s (in/s)		1.1 (44.9)	
Max. Velocity @ 72VDC	m/s (in/s)		1.6 (66.9)	
<b>Position Detection</b>				
Repeatability	mm (in)		±0.05 (±0.002)	
Linearity	%		± 0.15	
<b>Electrical Data</b>				
Max. Current @ 48VDC	A <sub>pk</sub>		12.6	
Max. Current @ 72VDC	A <sub>pk</sub>		14.9	
Max. Cont. Current [Passive cooling / Fan / Fluid]	A <sub>pk</sub>		3.6 / 6.4 / -	
<b>Thermal Data</b>				
Max. Winding Temperature (Sensor)	°C		90	
Thermal Resistance [Passive cooling / Fan / Fluid]	*K/W		0.95 / 0.31 / -	
Thermal Time Constant [Passive cooling / Fan / Fluid]	s		970 / 320 / -	
<b>Mechanical Data</b>				
Slider Length	mm (in)		2000 (79)	
Slider Mass	g (lb)		9140 (20.11)	



Item	Description	Item-No.
<b>PS01-48x240-C</b>	Stator with IP67 Connector M23/9(m)	0150-1219
<b>PL01-28x2000/1920</b>	Slider 'standard'	0150-1396

**Linear Guides H01**



**HM01-48x240/120 | Linear Module 48x240 with 120 mm Stroke**

→	H-Guide	H01-48x250/120	H-Guide for P01-48x240, Stroke max 120mm	0150-5100
		H01-48x250/120-GF	H-Guide for P01-48x240, Stroke max 120mm	0150-5104
→	Sator	PS01-48x240-C	Linearmotor Sator, Connector C - IP67	0150-1219
→	Slider	PL01-28x410/330	Slider Standard for H01-48x250/120	0150-1381

**HM01-48x240/210 | Linear Module 48x240 with 210 mm Stroke**

→	H-Guide	H01-48x250/210	H-Guide for P01-48x240, Stroke max 210mm	0150-5101
		H01-48x250/210-GF	H-Guide for P01-48x240, Stroke max 210mm	0150-5105
→	Sator	PS01-48x240-C	Linearmotor Sator, Connector C - IP67	0150-1219
→	Slider	PL01-28x500/420	Slider Standard for H01-48x250/210	0150-1382

**HM01-48x240/330 | Linear Module 48x240 with 330 mm Stroke**

→	H-Guide	H01-48x250/330	H01 for P01-48x240, 330 mm Stroke, Kugelbüchsen	0150-5102
		H01-48x250/330-GF	H01 for P01-48x240, 330mm Stroke, Gleitlager	0150-5106
→	Sator	PS01-48x240-C	Linearmotor Sator, Connector C - IP67	0150-1219
→	Slider	PL01-28x620/540	Slider Standard for H01-48x250/330	0150-1383

**HM01-48x240/420 | Linear Module 48x240 with 420 mm Stroke**

→	H-Guide	H01-48x250/420	H-Guide for P01-48x240, Stroke max 420mm	0150-5103
		H01-48x250/420-GF	H-Guide for P01-48x240, Stroke max 420mm	0150-5107
→	Sator	PS01-48x240-C	Linearmotor Sator, Connector C - IP67	0150-1219
→	Slider	PL01-28x710/630	Slider Standard for H01-48x250/420	0150-1384

**Accessories**

→	Brake	HB01-48	Pneumatic Brake for H01-48/1000N(4-6Bar)	0150-5098
→	Fan	HV01-37/48	Fan cooling for H01-37/48 & PF02-37/48	0150-5051
→	MagSpring	MF01-37/H37	Flange MagSpring 37 / H-Guide 23/37/48	0250-2307
→		MA01-37/H48	Adapter MagSpring 37 / H-Guide 48	0250-0118
→	Sliding block	PFN01-8/M6	Sliding block 8mm, M6 thread	0250-3245
→	Centering sleeve	HC01-11/05	Centering sleeve D11x5 mm	0150-3252
→	Wipers	HA01-48/28-F	Wiper for H01-48 guides, front side	0150-5109

FIND MORE PRODUCT DETAILS IN THE CHAPTER "LINEAR GUIDES".

**Bridge Guide B01**



**BM01-48x240/90 | Bridge Module 48x240 with 90 mm Stroke**

→	B-Guide	B01-48x250/90	B-Guide for P01-48x240, Stroke max 90mm	0150-5150
		B01-48x250/90-GF	B-Guide for P01-48x240, Stroke max 90mm	0150-5154
→	Stator	PS01-48x240-C	Linearmotor Stator, Connector C - IP67	0150-1219
→	Slider	PL01-27x410/330	High Clearance Slider for B01-48x250/90	0150-1468

**BM01-48x240/180 | Bridge Module 48x240 with 180 mm Stroke**

→	B-Guide	B01-48x250/180	B-Guide for P01-48x240, Stroke max 180mm	0150-5151
		B01-48x250/180-GF	B-Guide for P01-48x240, Stroke max 180mm	0150-5155
→	Stator	PS01-48x240-C	Linearmotor Stator, Connector C - IP67	0150-1219
→	Slider	PL01-27x500/420	High Clearance Slider for B01-48x250/180	0150-1469

**BM01-48x240/300 | Bridge Module 48x240 with 300 mm Stroke**

→	B-Guide	B01-48x250/300	B-Guide for P01-48x240, Stroke max 300mm	0150-5152
		B01-48x250/300-GF	B-Guide for P01-48x240, Stroke max 300mm	0150-5156
→	Stator	PS01-37x240-C	Stator with IP67 Connector M23/9(m)	0150-1224
→	Slider	PL01-27x620/540	High Clearance Slider for B01-48x250/300	0150-1470

**BM01-48x240/390 | Bridge Module 48x240 with 390 mm Stroke**

→	B-Guide	B01-48x250/390	B-Guide for P01-48x240, Stroke max 390mm	0150-5153
		B01-48x250/390-GF	B-Guide for P01-48x240, Stroke max 390mm	0150-5157
→	Stator	PS01-37x240-C	Stator with IP67 Connector M23/9(m)	0150-1224
→	Slider	PL01-27x710/630	High Clearance Slider for B01-48x250/390	0150-1471

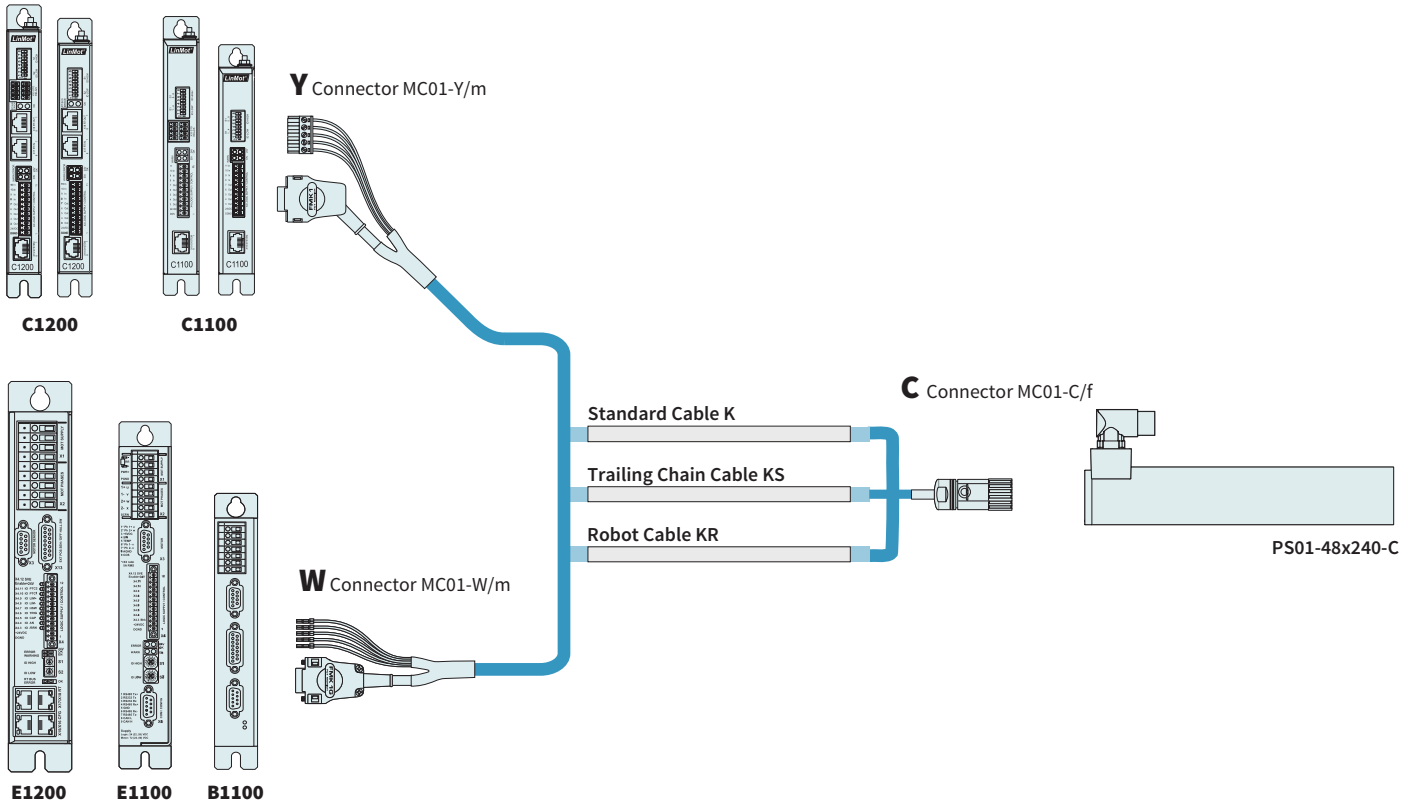
**Accessories**

→	Brake	HB01-48	Pneumatic Brake for H01-48/1000N(4-6Bar)	0150-5098
→	Fan	HV01-37/48	Fan for H01-37 and -48 H-Guideen	0150-5051
→	MagSpring	MF01-37/H37	Flange MagSpring 37 / H-Guide 23/37/48	0250-2307
→		MA01-37/H48	Adapter MagSpring 37 / H-Guide 48	0250-0118
→	Sliding block	PFN01-8/M6	Sliding block 8mm, M6 thread	0250-3245
→	Centering sleeve	HC01-11/05	Centering sleeve D11x5 mm	0150-3252
→	Wipers	HA01-48/27-F	Wiper for H01-48 guides, front side	0150-5178

FIND MORE PRODUCT DETAILS IN THE CHAPTER "LINEAR GUIDES".

**Motor Cable**

3



**ORDERING INFORMATION**

STANDARD CABLE

Item	Description	Item-No.
<b>K15-W/C-2</b>	Motor Cable W/C, 2 m	0150-1811
<b>K15-W/C-4</b>	Motor Cable W/C, 4 m	0150-1801
<b>K15-W/C-6</b>	Motor Cable W/C, 6 m	0150-1802
<b>K15-W/C-8</b>	Motor Cable W/C, 8 m	0150-1803
<b>K15-W/C-</b>	Motor Cable W/C, Custom length	0150-3131
<b>K15-Y/C-2</b>	Motor Cable Y/R, 2 m	0150-2429
<b>K15-Y/C-4</b>	Motor Cable Y/R, 4 m	0150-2430
<b>K15-Y/C-6</b>	Motor Cable Y/R, 6 m	0150-2431
<b>K15-Y/C-8</b>	Motor Cable Y/R, 8 m	0150-2432
<b>K15-Y-Fe/C-</b>	Motor Cable Y-Fe/R, Custom length	0150-3506

## TRAILING CHAIN CABLE

Item	Description	Item-No.
<b>KS10-W/C-4</b>	Trailing Chain Cable W/C, 4 m	0150-1807
<b>KS10-W/C-6</b>	Trailing Chain Cable W/C, 6 m	0150-1858
<b>KS10-W/C-8</b>	Trailing Chain Cable W/C, 8 m	0150-1808
<b>KS10-W/C-</b>	Trailing Chain Cable W/C, Custom length	0150-3139
<b>KS10-Y/C-4</b>	Trailing Chain Cable Y/C, 4 m	0150-2439
<b>KS10-Y/C-6</b>	Trailing Chain Cable Y/C, 6 m	0150-2440
<b>KS10-Y/C-8</b>	Trailing Chain Cable Y/C, 8 m	0150-2441
<b>KS10-Y/C-</b>	Trailing Chain Cable Y-Fe/C, Custom length	0150-3511

## ROBOT CABLE

Item	Description	Item-No.
<b>KR10-W/C-</b>	Robot Cable KR10-W/C, Custom length	0150-3199
<b>KR10-Y-Fe/C-</b>	Robot Cable KR10-Y-Fe/C, Custom length	0150-3515

## CONNECTOR &amp; CABLE (INDIVIDUAL)

Item	Description	Item-No.
<b>MC01-W/m</b>	Motor Connector W/m	0150-3140
<b>MC01-Y-Fe/m</b>	Motor Connector Y-Fe/m	0150-3289
<b>MC01-C/f</b>	Motor Connector C/f	0150-3080
<b>MC01-P/f</b>	Motor Connector P/f	0150-3021
<b>K15-04/05</b>	Motor Cable per m	0150-1978
<b>KS10-04/05</b>	Trailing Chain Cable per m	0150-1977
<b>KR10-04/05</b>	Robot Cable per m	0150-1830

**MOTOR FLANGES**

3



Item	Description	Item-No.
PF01-48x120	Flange 48x120 mm	0150-1976
PF01-48x226	Flange 48x226 mm	0150-2108

FIND MORE PRODUCT DETAILS IN THE CHAPTER "ACCESSORIES".

**FANS**



Item	Description	Item-No.
HV01-37/48	Fan cooling for H01-37, B01-37 and PF02-37	0150-5051

FIND MORE PRODUCT DETAILS IN THE CHAPTER "ACCESSORIES".

**SLIDER MOUNTING**



Item	Description	Item-No.
PLF01-28	Fixed Bearing Set for 27/28 mm sliders	0150-3087
PLF01-28-SS	Fixed Bearing Set for 27/28 mm sliders, stainless steel	0150-3297
PLL01-27	Floating Bearing for 27 mm sliders	0150-3294
PLL01-28	Floating Bearing for 28 mm sliders	0150-3094
PLM01-28-MK	Mounting Kit for PL01-28 Slider	0150-3095

FIND MORE PRODUCT DETAILS IN THE CHAPTER "ACCESSORIES".

**WIPERS**



Item	Description	Item-No.
<b>PA01-48/27-F</b>	Wiper front side for PS01-48x...	0150-3228
<b>PA01-48/27-R</b>	Wiper back side for PS01-48x...-C	0150-3229
<b>PA01-48/28-F</b>	Wiper front side for PS01-48x...	0150-3127
<b>PA01-48/28-R</b>	Wiper back side for PS01-48x...-C	0150-3202

FIND MORE PRODUCT DETAILS IN THE CHAPTER "ACCESSORIES".

**EXTERNAL POSITION SENSORS**



Item	Description	Item-No.
<b>MS01-1/D</b>	Linear Encoder 1µm, A/B (for inc. strip)	0150-1840
<b>MB01-1000</b>	Magnetic incremental strip for MS01-1/D, per cm	0150-1963
<b>KS025-D/D-Encoder</b>	Encoder Cable (Length in m)	0150-3166
<b>KS025-D/D15-Encoder</b>	Encoder Cable (Length in m)	0150-3168

FIND MORE PRODUCT DETAILS IN THE CHAPTER "ACCESSORIES".



Item	Description	Item-No.
<b>MS01-1/D-SSI</b>	Linear Encoder 1µm, A/B (for absolute strip)	0150-2095
<b>MB01-1000-ABS</b>	Magnetic absolute strip for MS01-1/D-SSI (per cm)	0150-2096
<b>EC01-ABS/ENC-12-S</b>	MS01-1/D-SSI Encoder connector straight	0150-3616
<b>KSS01-12-D15/ABS-ENC</b>	Special cable for MS01-1/D-SSI on C1100/C1200/C1400/E1200/E1400 Drives	0150-3652

FIND MORE PRODUCT DETAILS IN THE CHAPTER "ACCESSORIES".

Area with horizontal dotted lines for notes.



# LINEAR MOTORS P01-48x240F



- ✓ Highly dynamic drives
- ✓ With a special F-winding for a higher maximum speed
- ✓ Wide stroke range
- ✓ Available with rotatable connector
- ✓ Optional with air cooling
- ✓ Wide range of applications in handling modules as well as in plant and machine construction

## LINEAR MOTORS P01-48x240F

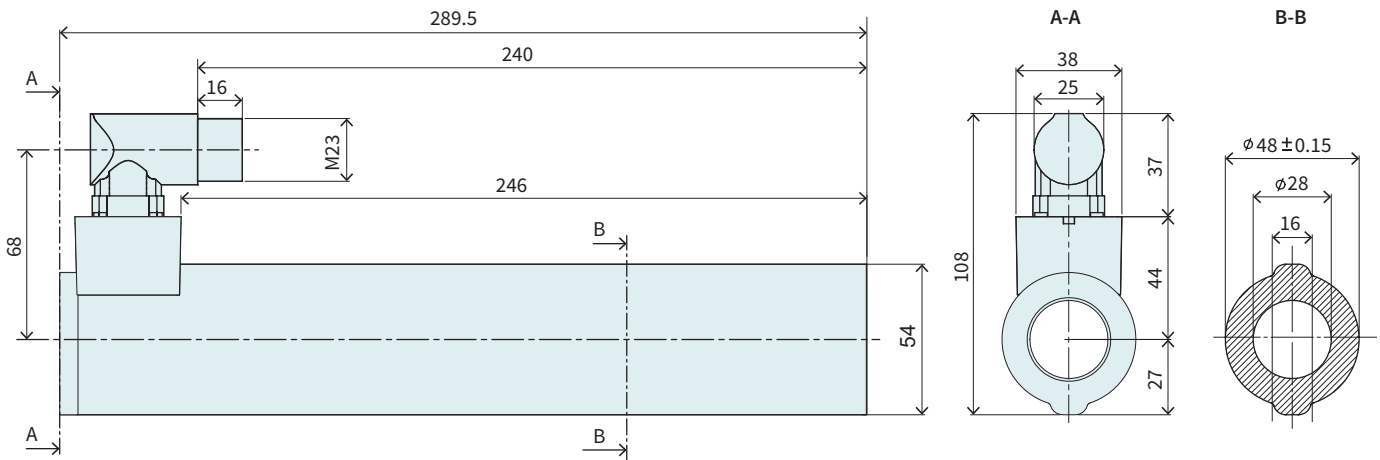
<b>Technical Data</b>	<b>345</b>
<b>Motor Specifications</b>	
P01-48x240F/30x180	<b>349</b>
P01-48x240F/90x240	<b>350</b>
P01-48x240F/180x330	<b>351</b>
P01-48x240F/300x450	<b>352</b>
P01-48x240F/390x540	<b>353</b>
P01-48x240F/480x630	<b>354</b>
P01-48x240F/600x750	<b>355</b>
P01-48x240F/690x840	<b>356</b>
P01-48x240F/900x1050	<b>357</b>
P01-48x240F/1080x1230	<b>358</b>
P01-48x240F/1290x1440	<b>359</b>
P01-48x240F/1500x1650	<b>360</b>
P01-48x240F/1680x1830	<b>361</b>
<b>Linear Guides</b>	<b>362</b>
<b>Accessories</b>	<b>364</b>



### MOTOR FAMILY P01-48x240F

Technical Data				
<b>Stroke</b>				
Standard Stroke (SS)	mm	(in)	≤ 1680	(≤ 66.1)
Extended Stroke (ES)	mm	(in)	≤ 1830	(≤ 72)
<b>Force</b>				
Max. Force @ 48VDC	N	(lbf)	572	(129)
Max. Force @ 72VDC	N	(lbf)	572	(129)
Max. Cont. Force [Passive cooling / Fan / Fluid]	N	(lbf)	140 / 240 / -	(32 / 55 / -)
Max. Border Force relative			%	
			≤ 69	
Force Constant	N/A <sub>pk</sub>	(lbf/A <sub>pk</sub> )	22	(4.95)
<b>Velocity</b>				
Max. Velocity @ 48VDC	m/s	(in/s)	1.9	(78.9)
Max. Velocity @ 72VDC	m/s	(in/s)	2.9	(119.9)
<b>Position Detection</b>				
Position Resolution	mm	(in)	0.007	(0.0003)
Repeatability	mm	(in)	±0.05	(±0.002)
Position Resolution with ES	mm	(in)	0.001	(0.00004)
Repeatability with ES	mm	(in)	±0.01	(±0.0004)
Linearity with ES	mm	(in)	±0.01	(±0.0004)
<b>Electrical Data</b>				
Max. Current @ 48VDC	A <sub>pk</sub>		25.9	
Max. Current @ 72VDC	A <sub>pk</sub>		25.9	
Max. Cont. Current [Passive cooling / Fan / Fluid]	A <sub>pk</sub>		6.5 / 11 / -	
Terminal Resistance 25 °C / 120 °C	Ohm		0.97 / 1.3	
Terminal Inductivity	mH		1.1	
Magnetic Period	mm	(in)	60	(2.35)
<b>Thermal Data</b>				
Max. Winding Temperature (Sensor)	°C		90	
Thermal Resistance [Passive cooling / Fan / Fluid]	°K/W		0.95 / 0.32 / -	
Thermal Time Constant [Passive cooling / Fan / Fluid]	s		970 / 330 / -	
<b>Mechanical Data</b>				
Stator Diameter	mm	(in)	48	(1.9)
Stator Length [Connector type / Cable type]	mm	(in)	289.5	(11)
Stator Mass	g	(lb)	1930	(4.25)
Slider Diameter	mm	(in)	28	(1.1)
Slider Length	mm	(in)	350 - 2000	(14 - 79)
Slider Mass	g	(lb)	1460 - 9140	(3.21 - 20.1)
IP Code			IP 65	

**STATOR**

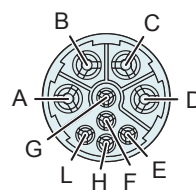


Item	Description	Item-No.
PS01-48x240F-C	Stator with IP67 Connector M23/9(m)	0150-1220

**CONNECTOR**

Motor Connector Wiring	PS01-37x240-C PS01-37x240-C20	Wire color motor cable
	C-Connector	
Ph 1+	A	red
Ph 1-	B	pink
Ph 2+	C	blue
Ph 2-	D	grey
+5VDC	E	white
GND	F	inner shield
Sin	G	yellow
Cos	H	green
Temp.	L	black
Shield	Housing	outer Shield

**C-Connector**

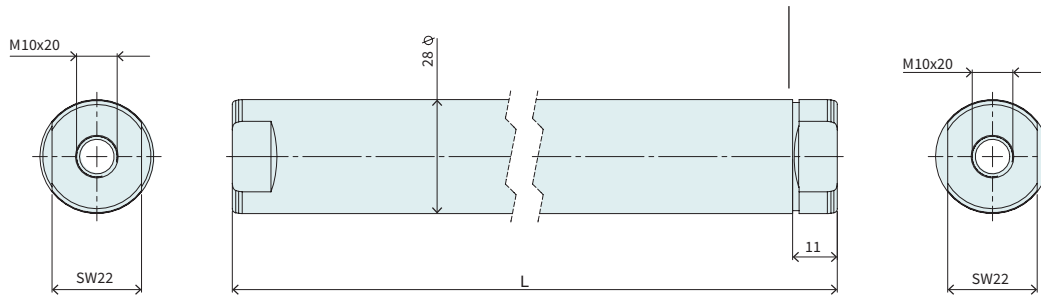


View: Motor Connector, plug side

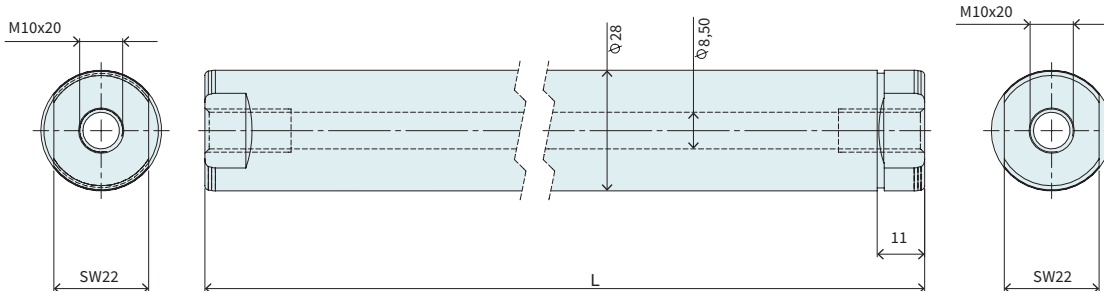
**SLIDER**

**Slider Standard / Heavy Duty**

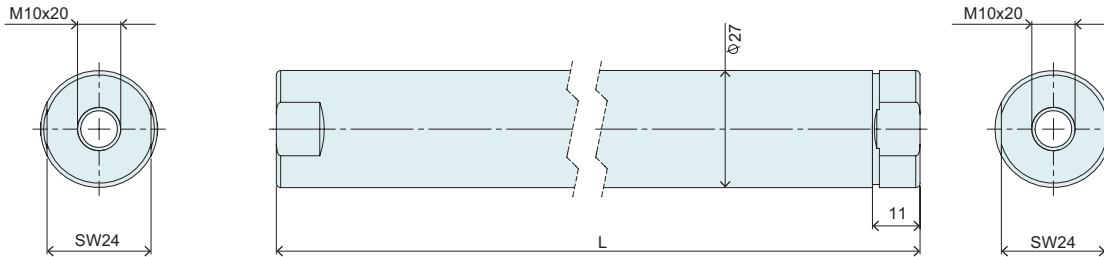
Number of grooves determines the slider type (see chapter 2 / slider) and marks the front end.



**Hollow slider**



**High-Clearance Slider**



Slider Standard				
Item	Description	Max. Stroke [mm]	Standard Stroke [mm]	Item-No.
PL01-28x350/270	Slider 'standard'	180	30	0150-1380
PL01-28x410/330	Slider 'standard'	240	90	0150-1381
PL01-28x500/420	Slider 'standard'	330	180	0150-1382
PL01-28x620/540	Slider 'standard'	450	300	0150-1383
PL01-28x710/630	Slider 'standard'	540	390	0150-1384
PL01-28x800/720	Slider 'standard'	630	480	0150-1385
PL01-28x920/840	Slider 'standard'	750	600	0150-1386
PL01-28x1010/930	Slider 'standard'	840	690	0150-1387
PL01-28x1220/1140	Slider 'standard'	1050	900	0150-1388
PL01-28x1400/1320	Slider 'standard'	1230	1080	0150-1389
PL01-28x1610/1530	Slider 'standard'	1440	1290	0150-1390
PL01-28x1820/1740	Slider 'standard'	1650	1500	0150-1395
PL01-28x2000/1920	Slider 'standard'	1830	1680	0150-1396

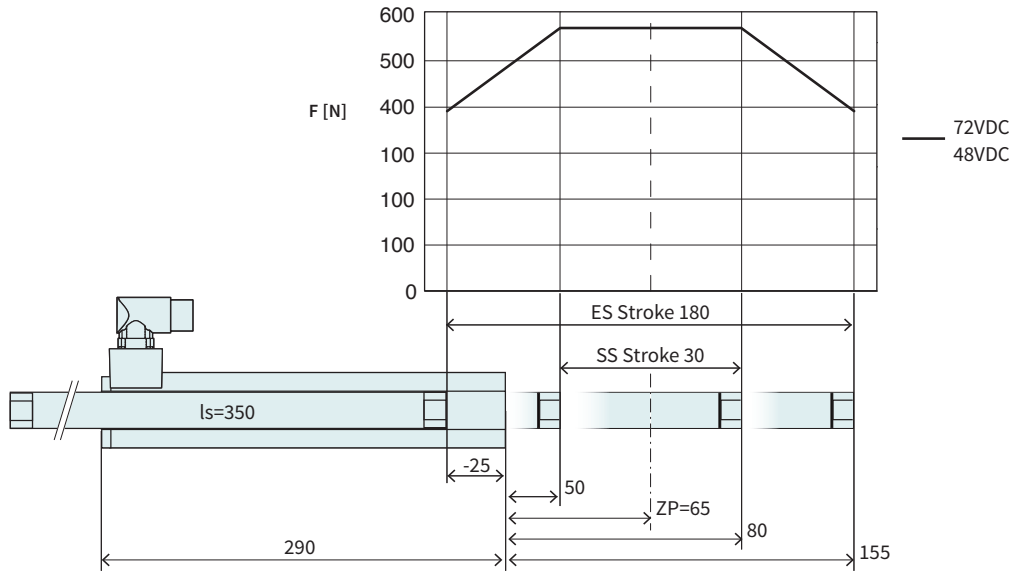
Slider Heavy Duty				
Item	Description	Max. Stroke [mm]	Standard Stroke [mm]	Item-No.
PL02-28x350/270	Slider 'heavy duty'	180	30	0150-1411
PL02-28x410/330	Slider 'heavy duty'	240	90	0150-1412
PL02-28x500/420	Slider 'heavy duty'	330	180	0150-1413
PL02-28x620/540	Slider 'heavy duty'	450	300	0150-1414
PL02-28x710/630	Slider 'heavy duty'	540	390	0150-1415
PL02-28x800/720	Slider 'heavy duty'	630	480	0150-1416
PL02-28x920/840	Slider 'heavy duty'	750	600	0150-1417

Hollow slider				
Item	Description	Max. Stroke [mm]	Standard Stroke [mm]	Item-No.
PL01-28x350/270	Slider 'standard L'	180	30	0150-1475
PL01-28x410/330	Slider 'standard L'	240	90	0150-1476
PL01-28x500/420	Slider 'standard L'	330	180	0150-1480
PL01-28x620/540	Slider 'standard L'	450	300	0150-1481
PL01-28x710/630	Slider 'standard L'	540	390	0150-1482
PL01-28x800/720	Slider 'standard L'	630	480	0150-1483
PL01-28x920/840	Slider 'standard L'	750	600	0150-1484

High-Clearance Slider				
Item	Description	Max. Stroke [mm]	Standard Stroke [mm]	Item-No.
PL01-27x350/270	Slider 'high clearance'	180	30	0150-1467
PL01-27x410/330	Slider 'high clearance'	240	90	0150-1468
PL01-27x500/420	Slider 'high clearance'	330	180	0150-1469
PL01-27x620/540	Slider 'high clearance'	450	300	0150-1470
PL01-27x710/630	Slider 'high clearance'	540	390	0150-1471

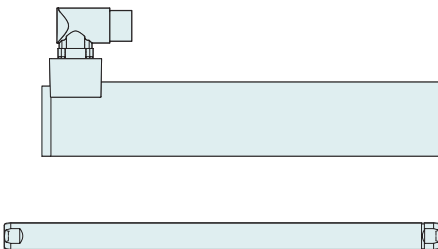
**P01-48x240F/30x180**

**Max. Stroke:** 180 mm  
**Peak Force:** 572 N



Dimensions in mm

Technical Data P01-48x240F/30x180			
<b>Stroke</b>			
Standard Stroke (SS)	mm (in)	30 (1.17)	
Extended Stroke (ES)	mm (in)	180 (7.08)	
<b>Force</b>			
Max. Force @ 48VDC	N (lbf)	572 (129)	
Max. Force @ 72VDC	N (lbf)	572 (129)	
Max. Cont. Force [Passive cooling/ Fan / Fluid]	N (lbf)	140 / 240 / -	(32 / 55 / -)
Max. Border Force relative	%	69	
Force Constant	N/A <sub>pk</sub> (lbf/A <sub>pk</sub> )	22 (4.95)	
<b>Velocity</b>			
Max. Velocity @ 48VDC	m/s (in/s)	1.9 (78.9)	
Max. Velocity @ 72VDC	m/s (in/s)	2.9 (119.9)	
<b>Position Detection</b>			
Repeatability	mm (in)	±0.05 (±0.002)	
Linearity	%	± 0.5	
<b>Electrical Data</b>			
Max. Current @ 48VDC	A <sub>pk</sub>	25.9	
Max. Current @ 72VDC	A <sub>pk</sub>	25.9	
Max. Cont. Current [Passive cooling / Fan / Fluid]	A <sub>pk</sub>	6.5 / 11 / -	
<b>Thermal Data</b>			
Max. Winding Temperature (Sensor)	°C	90	
Thermal Resistance [Passive cooling / Fan / Fluid]	°K/W	0.95 / 0.32 / -	
Thermal Time Constant [Passive cooling / Fan / Fluid]	s	970 / 330 / -	
<b>Mechanical Data</b>			
Slider Length	mm (in)	350 (14)	
Slider Mass	g (lb)	1460 (3.21)	

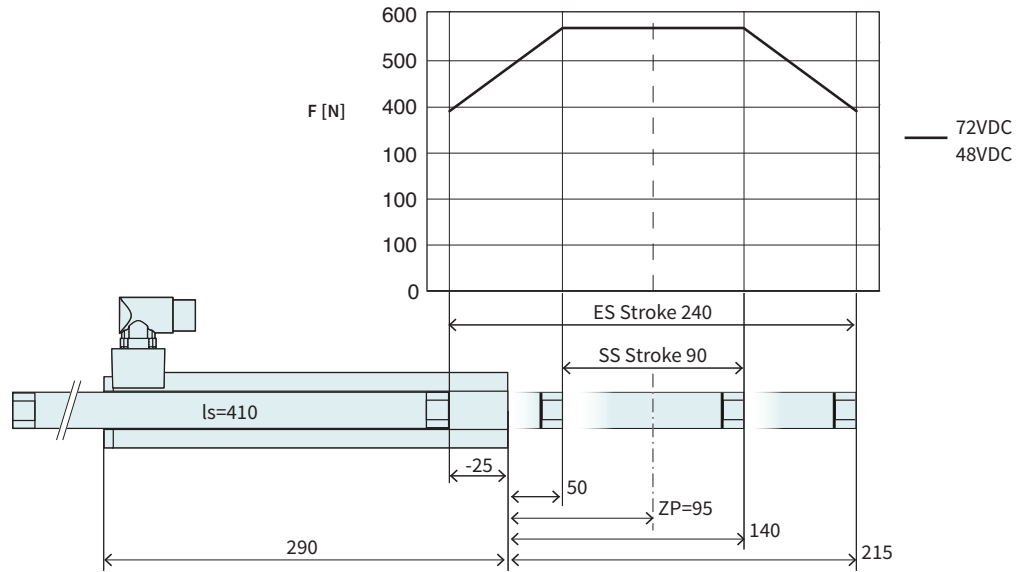


Item	Description	Item-No.
<b>PS01-48x240F-C</b>	Stator with IP67 Connector M23/9(m)	0150-1220
<b>PL01-28x350/270</b>	Slider 'standard'	0150-1380
<b>PL02-28x350/270</b>	Slider 'heavy duty'	0150-1411
<b>PL01-28x350/270-L*</b>	Slider 'standard L'	0150-1475
<b>PL01-27x350/270*</b>	Slider 'high clearance'	0150-1467

\* With this slider, the motor specifications above change.

**P01-48x240F/90x240**

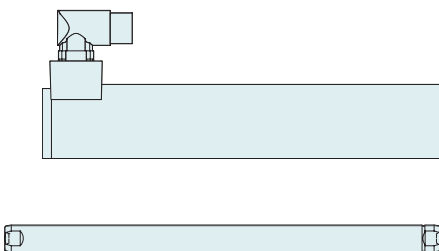
**Max. Stroke:** 240 mm  
**Peak Force:** 572 N



Dimensions in mm

Technical Data P01-48x240F/90x240

Stroke			
Standard Stroke (SS)	mm (in)	90	(3.53)
Extended Stroke (ES)	mm (in)	240	(9.44)
Force			
Max. Force @ 48VDC	N (lbf)	572	(129)
Max. Force @ 72VDC	N (lbf)	572	(129)
Max. Cont. Force [Passive cooling / Fan / Fluid]	N (lbf)	140 / 240 / -	(32 / 55 / -)
Max. Border Force relative	%	69	
Force Constant	N/A <sub>pk</sub> (lbf/A <sub>pk</sub> )	22	(4.95)
Velocity			
Max. Velocity @ 48VDC	m/s (in/s)	1.9	(78.9)
Max. Velocity @ 72VDC	m/s (in/s)	2.9	(119.9)
Position Detection			
Repeatability	mm (in)	±0.05	(±0.002)
Linearity	%	± 0.4	
Electrical Data			
Max. Current @ 48VDC	A <sub>pk</sub>	25.9	
Max. Current @ 72VDC	A <sub>pk</sub>	25.9	
Max. Cont. Current [Passive cooling / Fan / Fluid]	A <sub>pk</sub>	6.5 / 11 / -	
Thermal Data			
Max. Winding Temperature (Sensor)	°C	90	
Thermal Resistance [Passive cooling / Fan / Fluid]	°K/W	0.95 / 0.32 / -	
Thermal Time Constant [Passive cooling / Fan / Fluid]	s	970 / 330 / -	
Mechanical Data			
Slider Length	mm (in)	410	(16)
Slider Mass	g (lb)	1740	(3.83)



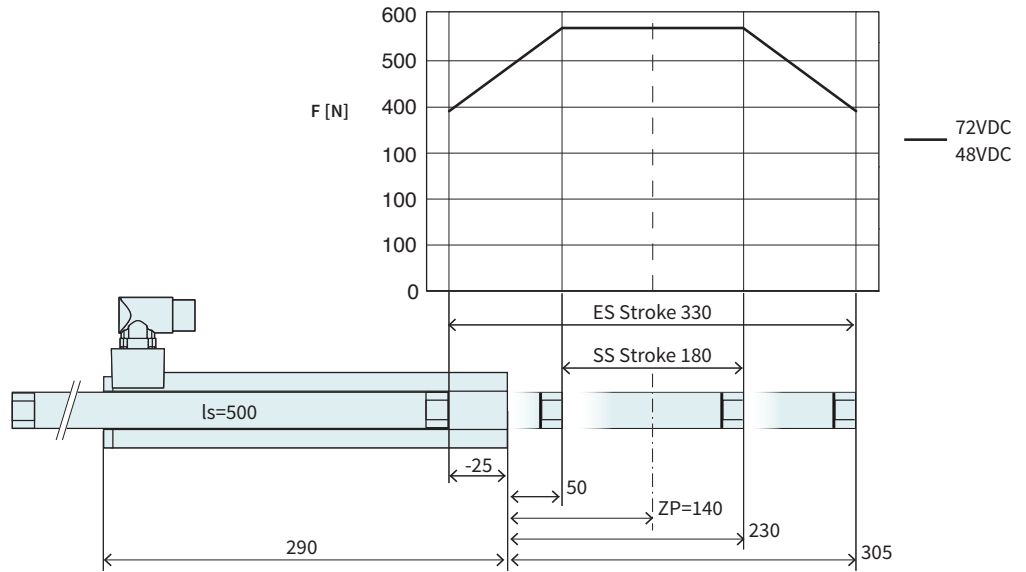
Item	Description	Item-No.
<b>PS01-48x240F-C</b>	Stator with IP67 Connector M23/9(m)	0150-1220
<b>PL01-28x410/330</b>	Slider 'standard'	0150-1381
<b>PL02-28x410/330</b>	Slider 'heavy duty'	0150-1412
<b>PL01-28x410/330-L*</b>	Slider 'standard L'	0150-1476
<b>PL01-27x410/330*</b>	Slider 'high clearance'	0150-1468

\* With this slider, the motor specifications above change.



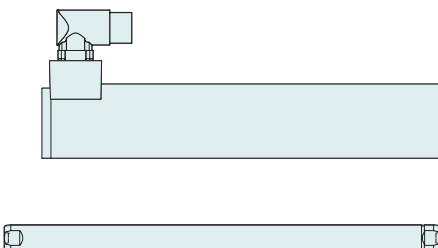
**P01-48x240F/180x330**

**Max. Stroke:** 330 mm  
**Peak Force:** 572 N



Dimensions in mm

Technical Data P01-48x240F/180x330			
<b>Stroke</b>			
Standard Stroke (SS)	mm (in)	180 (7.08)	
Extended Stroke (ES)	mm (in)	330 (12.99)	
<b>Force</b>			
Max. Force @ 48VDC	N (lbf)	572 (129)	
Max. Force @ 72VDC	N (lbf)	572 (129)	
Max. Cont. Force [Passive cooling / Fan / Fluid]	N (lbf)	140 / 240 / -	(32 / 55 / -)
Max. Border Force relative	%	69	
Force Constant	N/A <sub>pk</sub> (lbf/A <sub>pk</sub> )	22	(4.95)
<b>Velocity</b>			
Max. Velocity @ 48VDC	m/s (in/s)	1.9	(78.9)
Max. Velocity @ 72VDC	m/s (in/s)	2.9	(119.9)
<b>Position Detection</b>			
Repeatability	mm (in)	±0.05	(±0.002)
Linearity	%	± 0.35	
<b>Electrical Data</b>			
Max. Current @ 48VDC	A <sub>pk</sub>	25.9	
Max. Current @ 72VDC	A <sub>pk</sub>	25.9	
Max. Cont. Current [Passive cooling / Fan / Fluid]	A <sub>pk</sub>	6.5 / 11 / -	
<b>Thermal Data</b>			
Max. Winding Temperature (Sensor)	°C	90	
Thermal Resistance [Passive cooling / Fan / Fluid]	*K/W	0.95 / 0.32 / -	
Thermal Time Constant [Passive cooling / Fan / Fluid]	s	970 / 330 / -	
<b>Mechanical Data</b>			
Slider Length	mm (in)	500	(20)
Slider Mass	g (lb)	2160	(4.75)



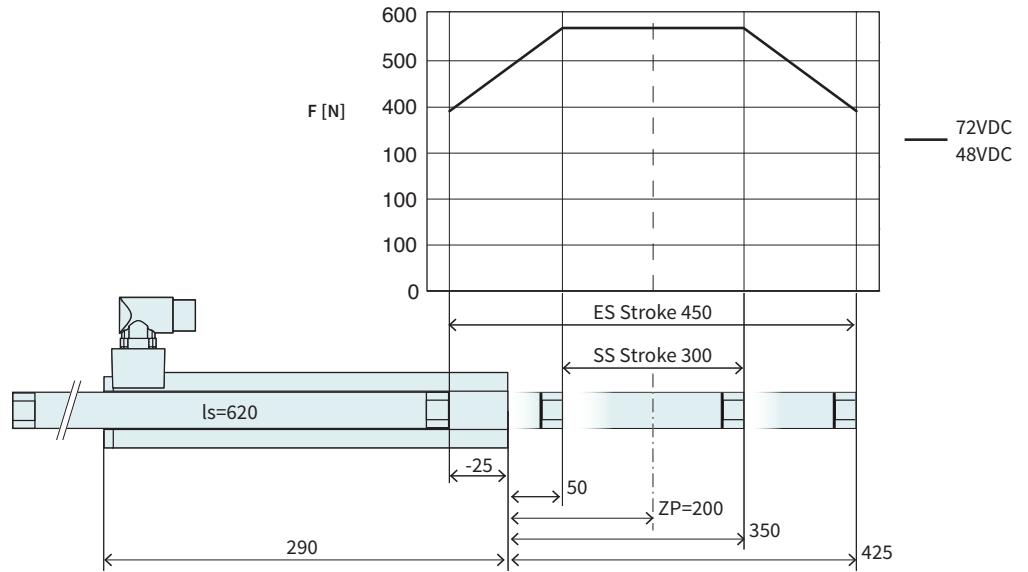
Item	Description	Item-No.
<b>PS01-48x240F-C</b>	Stator with IP67 Connector M23/9(m)	0150-1220
<b>PL01-28x500/420</b>	Slider 'standard'	0150-1382
<b>PL02-28x500/420</b>	Slider 'heavy duty'	0150-1413
<b>PL01-28x500/420-L*</b>	Slider 'standard L'	0150-1480
<b>PL01-27x500/420*</b>	Slider 'high clearance'	0150-1469

\* With this slider, the motor specifications above change.

**P01-48x240F/300x450**

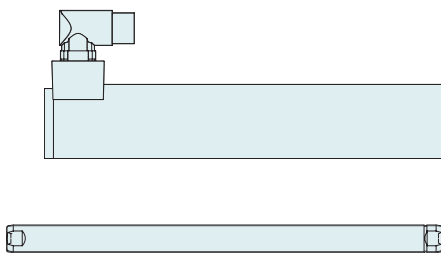
3

**Max. Stroke:** 450 mm  
**Peak Force:** 572 N



Dimensions in mm

Technical Data P01-48x240F/300x450			
<b>Stroke</b>			
Standard Stroke (SS)	mm (in)	300 (11.8)	
Extended Stroke (ES)	mm (in)	450 (17.69)	
<b>Force</b>			
Max. Force @ 48VDC	N (lbf)	572 (129)	
Max. Force @ 72VDC	N (lbf)	572 (129)	
Max. Cont. Force [Passive cooling / Fan / Fluid]	N (lbf)	140 / 240 / - (32 / 55 / -)	
Max. Border Force relative	%	69	
Force Constant	N/A <sub>pk</sub> (lbf/A <sub>pk</sub> )	22 (4.95)	
<b>Velocity</b>			
Max. Velocity @ 48VDC	m/s (in/s)	1.9 (78.9)	
Max. Velocity @ 72VDC	m/s (in/s)	2.9 (119.9)	
<b>Position Detection</b>			
Repeatability	mm (in)	±0.05 (±0.002)	
Linearity	%	± 0.25	
<b>Electrical Data</b>			
Max. Current @ 48VDC	A <sub>pk</sub>	25.9	
Max. Current @ 72VDC	A <sub>pk</sub>	25.9	
Max. Cont. Current [Passive cooling / Fan / Fluid]	A <sub>pk</sub>	6.5 / 11 / -	
<b>Thermal Data</b>			
Max. Winding Temperature (Sensor)	°C	90	
Thermal Resistance [Passive cooling / Fan / Fluid]	°K/W	0.95 / 0.32 / -	
Thermal Time Constant [Passive cooling / Fan / Fluid]	s	970 / 330 / -	
<b>Mechanical Data</b>			
Slider Length	mm (in)	620 (24)	
Slider Mass	g (lb)	2720 (5.98)	

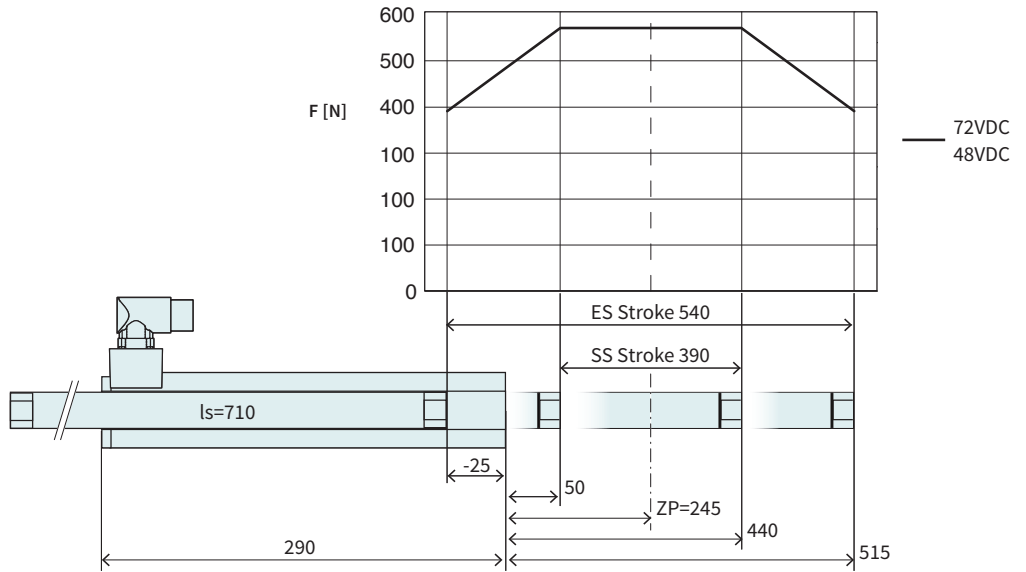


Item	Description	Item-No.
<b>PS01-48x240F-C</b>	Stator with IP67 Connector M23/9(m)	0150-1220
<b>PL01-28x620/540</b>	Slider 'standard'	0150-1383
<b>PL02-28x620/540</b>	Slider 'heavy duty'	0150-1414
<b>PL01-28x620/540-L*</b>	Slider 'standard L'	0150-1481
<b>PL01-27x620/540*</b>	Slider 'high clearance'	0150-1470

\* With this slider, the motor specifications above change.

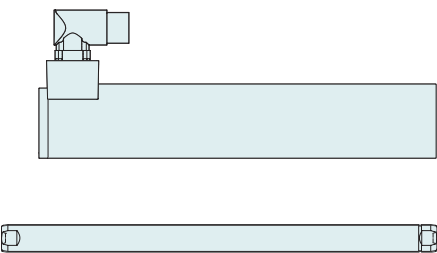
**P01-48x240F/390x540**

**Max. Stroke:** 540 mm  
**Peak Force:** 572 N



Dimensions in mm

Technical Data P01-48x240F/390x540			
<b>Stroke</b>			
Standard Stroke (SS)	mm (in)	390 (15.4)	
Extended Stroke (ES)	mm (in)	540 (21.3)	
<b>Force</b>			
Max. Force @ 48VDC	N (lbf)	572 (129)	
Max. Force @ 72VDC	N (lbf)	572 (129)	
Max. Cont. Force [Passive cooling / Fan / Fluid]	N (lbf)	140 / 240 / -	(32 / 55 / -)
Max. Border Force relative	%	69	
Force Constant	N/A <sub>pk</sub> (lbf/A <sub>pk</sub> )	22	(4.95)
<b>Velocity</b>			
Max. Velocity @ 48VDC	m/s (in/s)	1.9	(78.9)
Max. Velocity @ 72VDC	m/s (in/s)	2.9	(119.9)
<b>Position Detection</b>			
Repeatability	mm (in)	±0.05	(±0.002)
Linearity	%	± 0.25	
<b>Electrical Data</b>			
Max. Current @ 48VDC	A <sub>pk</sub>	25.9	
Max. Current @ 72VDC	A <sub>pk</sub>	25.9	
Max. Cont. Current [Passive cooling / Fan / Fluid]	A <sub>pk</sub>	6.5 / 11 / -	
<b>Thermal Data</b>			
Max. Winding Temperature (Sensor)	°C	90	
Thermal Resistance [Passive cooling / Fan / Fluid]	°K/W	0.95 / 0.32 / -	
Thermal Time Constant [Passive cooling / Fan / Fluid]	s	970 / 330 / -	
<b>Mechanical Data</b>			
Slider Length	mm (in)	710	(28)
Slider Mass	g (lb)	3140	(6.91)



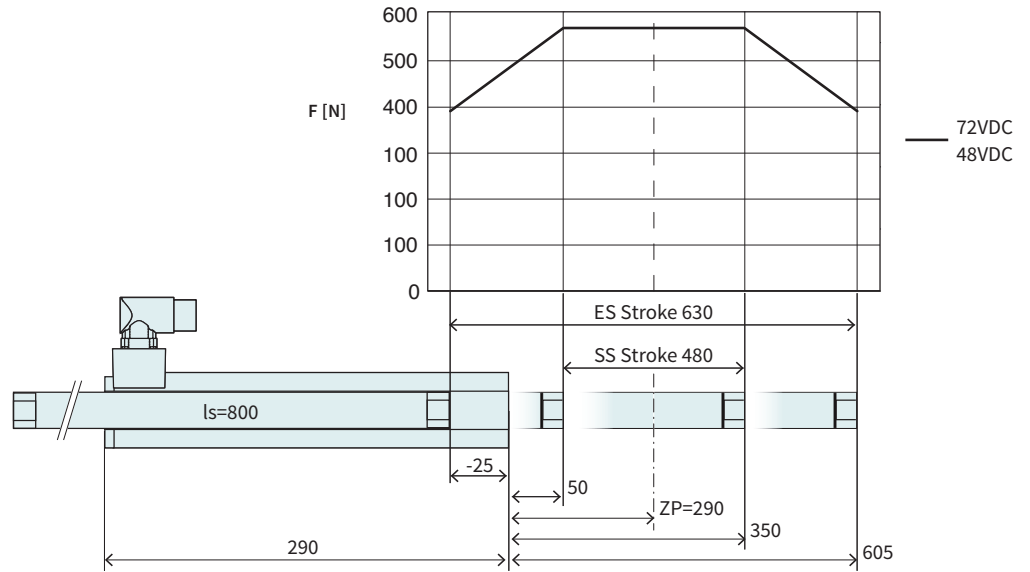
Item	Description	Item-No.
<b>PS01-48x240F-C</b>	Stator with IP67 Connector M23/9(m)	0150-1220
<b>PL01-28x710/630</b>	Slider 'standard'	0150-1384
<b>PL02-28x710/630</b>	Slider 'heavy duty'	0150-1415
<b>PL01-28x710/630-L*</b>	Slider 'standard L'	0150-1482
<b>PL01-27x710/630*</b>	Slider 'high clearance'	0150-1471

\* With this slider, the motor specifications above change.

**P01-48x240F/480x630**

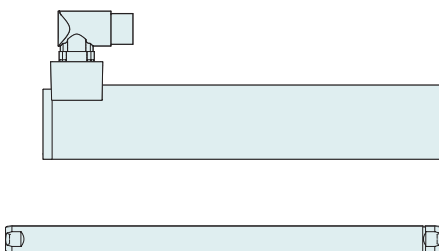
3

**Max. Stroke:** 630 mm  
**Peak Force:** 572 N



Dimensions in mm

Technical Data P01-48x240F/480x630			
<b>Stroke</b>			
Standard Stroke (SS)	mm (in)	480	(18.89)
Extended Stroke (ES)	mm (in)	630	(24.8)
<b>Force</b>			
Max. Force @ 48VDC	N (lbf)	572	(129)
Max. Force @ 72VDC	N (lbf)	572	(129)
Max. Cont. Force [Passive cooling / Fan / Fluid]	N (lbf)	140 / 240 / -	(32 / 55 / -)
Max. Border Force relative	%	69	
Force Constant	N/A <sub>pk</sub> (lbf/A <sub>pk</sub> )	22	(4.95)
<b>Velocity</b>			
Max. Velocity @ 48VDC	m/s (in/s)	1.9	(78.9)
Max. Velocity @ 72VDC	m/s (in/s)	2.9	(119.9)
<b>Position Detection</b>			
Repeatability	mm (in)	±0.05	(±0.002)
Linearity	%	± 0.2	
<b>Electrical Data</b>			
Max. Current @ 48VDC	A <sub>pk</sub>	25.9	
Max. Current @ 72VDC	A <sub>pk</sub>	25.9	
Max. Cont. Current [Passive cooling / Fan / Fluid]	A <sub>pk</sub>	6.5 / 11 / -	
<b>Thermal Data</b>			
Max. Winding Temperature (Sensor)	°C	90	
Thermal Resistance [Passive cooling / Fan / Fluid]	°K/W	0.95 / 0.32 / -	
Thermal Time Constant [Passive cooling / Fan / Fluid]	s	970 / 330 / -	
<b>Mechanical Data</b>			
Slider Length	mm (in)	800	(31)
Slider Mass	g (lb)	3560	(7.83)

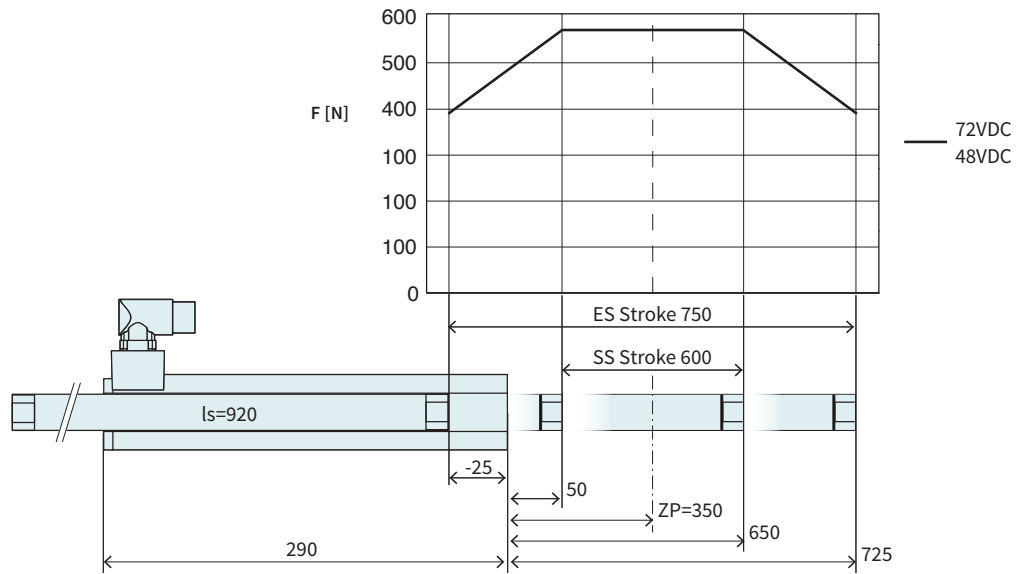


Item	Description	Item-No.
<b>PS01-48x240F-C</b>	Stator with IP67 Connector M23/9(m)	0150-1220
<b>PL01-28x800/720</b>	Slider 'standard'	0150-1385
<b>PL02-28x800/720</b>	Slider 'heavy duty'	0150-1416
<b>PL01-28x800/720-L*</b>	Slider 'standard L'	0150-1483

\* With this slider, the motor specifications above change.

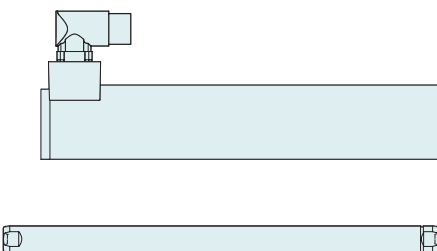
**P01-48x240F/600x750**

**Max. Stroke:** 750 mm  
**Peak Force:** 572 N



Dimensions in mm

Technical Data P01-48x240F/600x750			
<b>Stroke</b>			
Standard Stroke (SS)	mm (in)	600	(23.6)
Extended Stroke (ES)	mm (in)	750	(29.49)
<b>Force</b>			
Max. Force @ 48VDC	N (lbf)	572	(129)
Max. Force @ 72VDC	N (lbf)	572	(129)
Max. Cont. Force [Passive cooling / Fan / Fluid]	N (lbf)	140 / 240 / -	(32 / 55 / -)
Max. Border Force relative	%	69	
Force Constant	N/A <sub>pk</sub> (lbf/A <sub>pk</sub> )	22	(4.95)
<b>Velocity</b>			
Max. Velocity @ 48VDC	m/s (in/s)	1.9	(78.9)
Max. Velocity @ 72VDC	m/s (in/s)	2.9	(119.9)
<b>Position Detection</b>			
Repeatability	mm (in)	±0.05	(±0.002)
Linearity	%	± 0.2	
<b>Electrical Data</b>			
Max. Current @ 48VDC	A <sub>pk</sub>	25.9	
Max. Current @ 72VDC	A <sub>pk</sub>	25.9	
Max. Cont. Current [Passive cooling / Fan / Fluid]	A <sub>pk</sub>	6.5 / 11 / -	
<b>Thermal Data</b>			
Max. Winding Temperature (Sensor)	°C	90	
Thermal Resistance [Passive cooling / Fan / Fluid]	°K/W	0.95 / 0.32 / -	
Thermal Time Constant [Passive cooling / Fan / Fluid]	s	970 / 330 / -	
<b>Mechanical Data</b>			
Slider Length	mm (in)	920	(36)
Slider Mass	g (lb)	4120	(9.06)

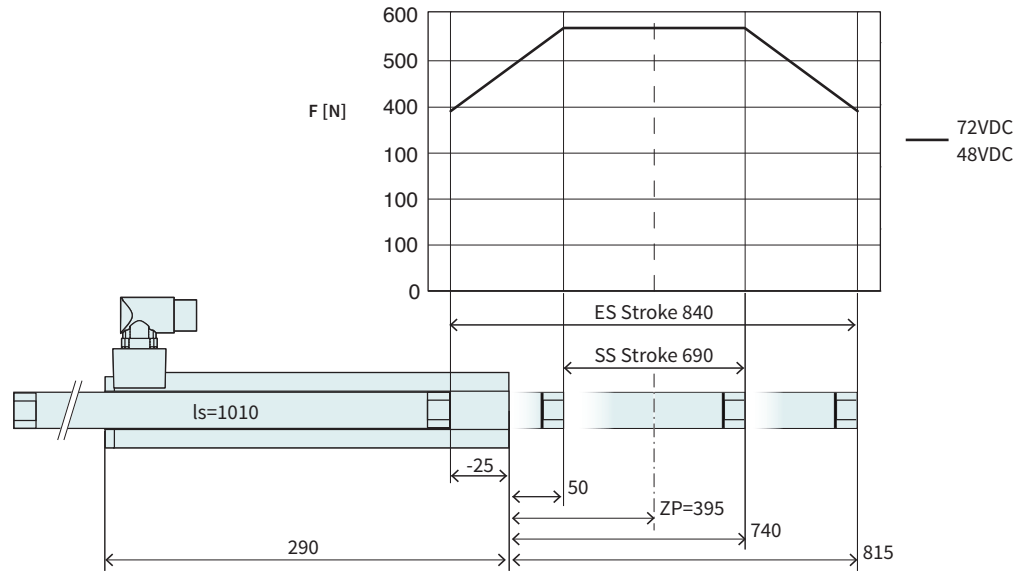


Item	Description	Item-No.
<b>PS01-48x240F-C</b>	Stator with IP67 Connector M23/9(m)	0150-1220
<b>PL01-28x920/840</b>	Slider 'standard'	0150-1386
<b>PL02-28x920/840</b>	Slider 'heavy duty'	0150-1417
<b>PL01-28x920/840-L*</b>	Slider 'standard L'	0150-1484

\* With this slider, the motor specifications above change.

**P01-48x240F/690x840**

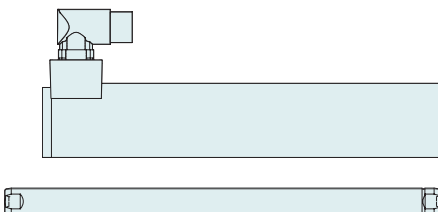
**Max. Stroke:** 840 mm  
**Peak Force:** 572 N



Dimensions in mm

Technical Data P01-48x240F/690x840

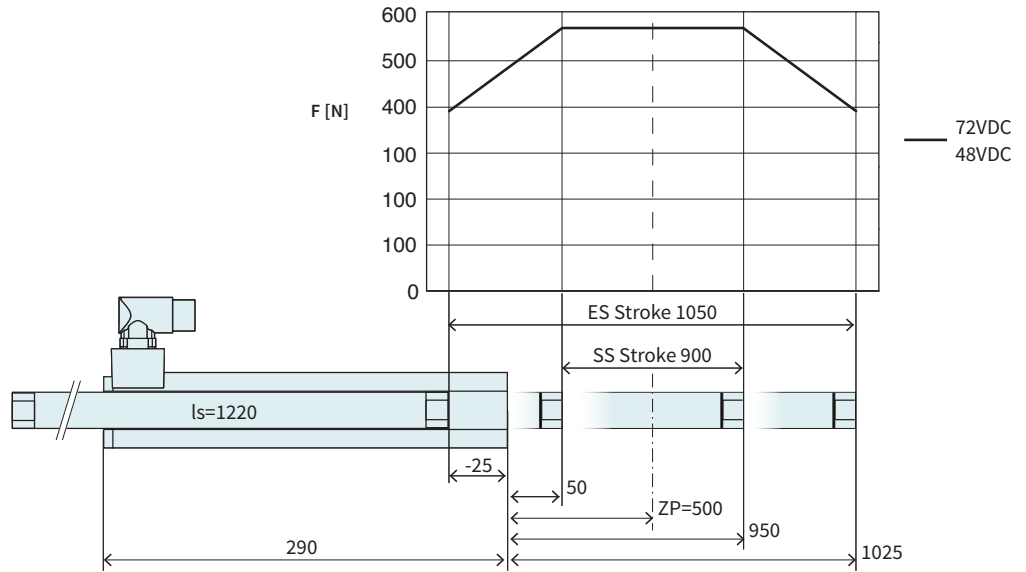
Stroke			
Standard Stroke (SS)	mm	(in)	690 (27.19)
Extended Stroke (ES)	mm	(in)	840 (33.1)
Force			
Max. Force @ 48VDC	N	(lbf)	572 (129)
Max. Force @ 72VDC	N	(lbf)	572 (129)
Max. Cont. Force [Passive cooling / Fan / Fluid]	N	(lbf)	140 / 240 / - (32 / 55 / -)
Max. Border Force relative	%		69
Force Constant	N/A <sub>pk</sub>	(lbf/A <sub>pk</sub> )	22 (4.95)
Velocity			
Max. Velocity @ 48VDC	m/s	(in/s)	1.9 (78.9)
Max. Velocity @ 72VDC	m/s	(in/s)	2.9 (119.9)
Position Detection			
Repeatability	mm	(in)	±0.05 (±0.002)
Linearity	%		± 0.2
Electrical Data			
Max. Current @ 48VDC	A <sub>pk</sub>		25.9
Max. Current @ 72VDC	A <sub>pk</sub>		25.9
Max. Cont. Current [Passive cooling / Fan / Fluid]	A <sub>pk</sub>		6.5 / 11 / -
Thermal Data			
Max. Winding Temperature (Sensor)	°C		90
Thermal Resistance [Passive cooling / Fan / Fluid]	°K/W		0.95 / 0.32 / -
Thermal Time Constant [Passive cooling / Fan / Fluid]	s		970 / 330 / -
Mechanical Data			
Slider Length	mm	(in)	1010 (40)
Slider Mass	g	(lb)	4540 (10)



Item	Description	Item-No.
<b>PS01-48x240F-C</b>	ator with IP67 Connector M23/9(m)	0150-1220
<b>PL01-28x1010/930</b>	Slider 'standard'	0150-1387

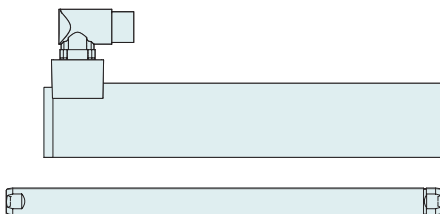
**P01-48x240F/900x1050**

**Max. Stroke:** 1050 mm  
**Peak Force:** 572 N



Dimensions in mm

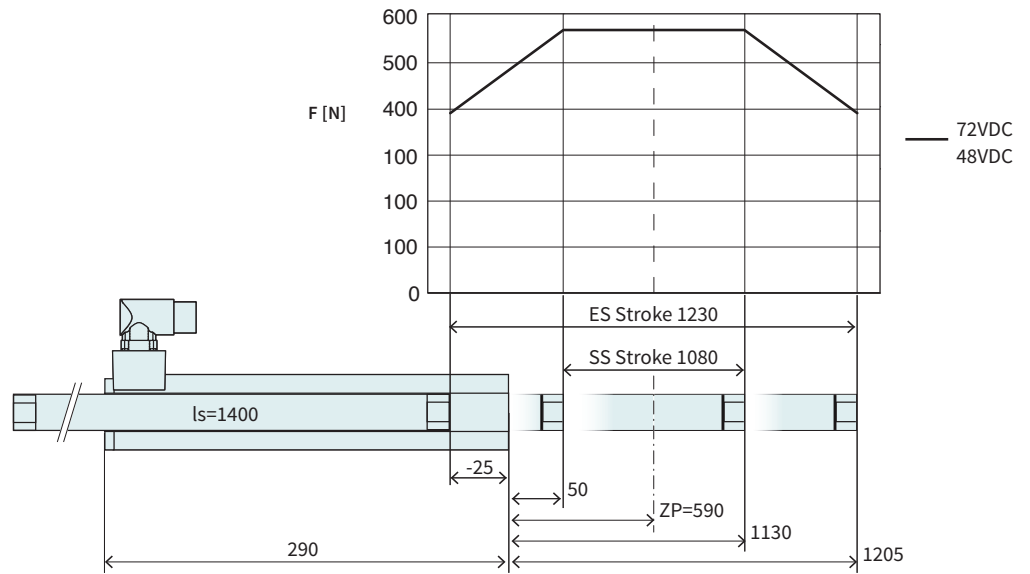
Technical Data P01-48x240F/900x1050			
<b>Stroke</b>			
Standard Stroke (SS)	mm (in)	900 (35.39)	
Extended Stroke (ES)	mm (in)	1050 (41.29)	
<b>Force</b>			
Max. Force @ 48VDC	N (lbf)	572 (129)	
Max. Force @ 72VDC	N (lbf)	572 (129)	
Max. Cont. Force [Passive cooling / Fan / Fluid]	N (lbf)	140 / 240 / - (32 / 55 / -)	
Max. Border Force relative	%	69	
Force Constant	N/A <sub>pk</sub> (lbf/A <sub>pk</sub> )	22 (4.95)	
<b>Velocity</b>			
Max. Velocity @ 48VDC	m/s (in/s)	1.9 (78.9)	
Max. Velocity @ 72VDC	m/s (in/s)	2.9 (119.9)	
<b>Position Detection</b>			
Repeatability	mm (in)	±0.05 (±0.002)	
Linearity	%	± 0.15	
<b>Electrical Data</b>			
Max. Current @ 48VDC	A <sub>pk</sub>	25.9	
Max. Current @ 72VDC	A <sub>pk</sub>	25.9	
Max. Cont. Current [Passive cooling / Fan / Fluid]	A <sub>pk</sub>	6.5 / 11 / -	
<b>Thermal Data</b>			
Max. Winding Temperature (Sensor)	°C	90	
Thermal Resistance [Passive cooling / Fan / Fluid]	°K/W	0.95 / 0.32 / -	
Thermal Time Constant [Passive cooling / Fan / Fluid]	s	970 / 330 / -	
<b>Mechanical Data</b>			
Slider Length	mm (in)	1220 (48)	
Slider Mass	g (lb)	5510 (12.12)	



Item	Description	Item-No.
<b>PS01-48x240F-C</b>	Stator with IP67 Connector M23/9(m)	0150-1220
<b>PL01-28x1220/1140</b>	Slider 'standard'	0150-1388

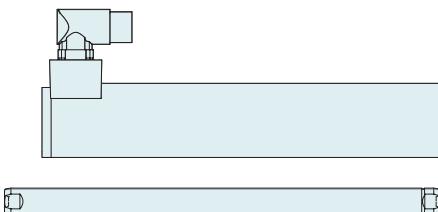
**P01-48x240F/1080x1230**

**Max. Stroke:** 1230 mm  
**Peak Force:** 572 N



Dimensions in mm

Technical Data P01-48x240F/1080x1230			
<b>Stroke</b>			
Standard Stroke (SS)	mm (in)	1080	(42.49)
Extended Stroke (ES)	mm (in)	1230	(48.39)
<b>Force</b>			
Max. Force @ 48VDC	N (lbf)	572	(129)
Max. Force @ 72VDC	N (lbf)	572	(129)
Max. Cont. Force [Passive cooling / Fan / Fluid]	N (lbf)	140 / 240 / -	(32 / 55 / -)
Max. Border Force relative	%	69	
Force Constant	N/A <sub>pk</sub> (lbf/A <sub>pk</sub> )	22	(4.95)
<b>Velocity</b>			
Max. Velocity @ 48VDC	m/s (in/s)	1.9	(78.9)
Max. Velocity @ 72VDC	m/s (in/s)	2.9	(119.9)
<b>Position Detection</b>			
Repeatability	mm (in)	±0.05	(±0.002)
Linearity	%	± 0.15	
<b>Electrical Data</b>			
Max. Current @ 48VDC	A <sub>pk</sub>	25.9	
Max. Current @ 72VDC	A <sub>pk</sub>	25.9	
Max. Cont. Current [Passive cooling / Fan / Fluid]	A <sub>pk</sub>	6.5 / 11 / -	
<b>Thermal Data</b>			
Max. Winding Temperature (Sensor)	°C	90	
Thermal Resistance [Passive cooling / Fan / Fluid]	°K/W	0.95 / 0.32 / -	
Thermal Time Constant [Passive cooling / Fan / Fluid]	s	970 / 330 / -	
<b>Mechanical Data</b>			
Slider Length	mm (in)	1400	(55)
Slider Mass	g (lb)	6350	(13.97)

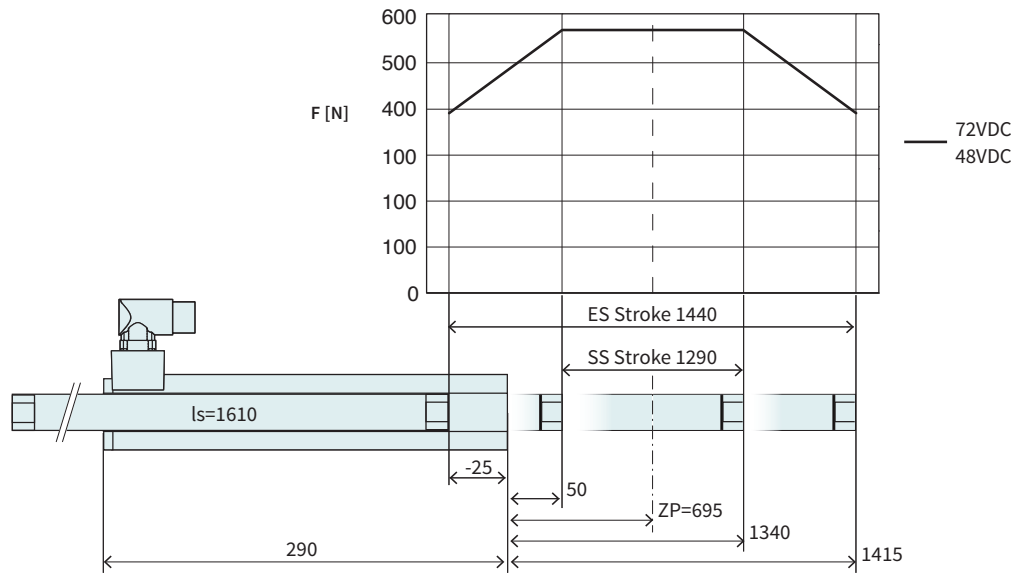


Item	Description	Item-No.
<b>PS01-48x240F-C</b>	Stator with IP67 Connector M23/9(m)	0150-1220
<b>PL01-28x1400/1320</b>	Slider 'standard'	0150-1389



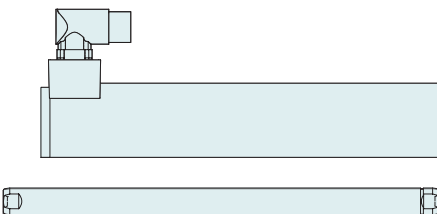
**P01-48x240F/1290x1440**

**Max. Stroke:** 1440 mm  
**Peak Force:** 572 N



Dimensions in mm

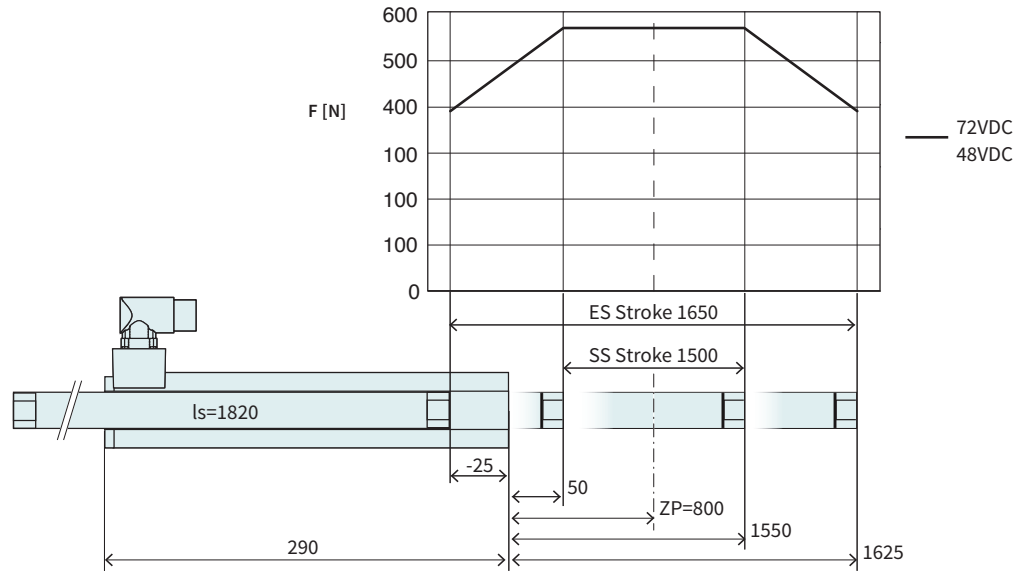
Technical Data P01-48x240F/1290x1440			
<b>Stroke</b>			
Standard Stroke (SS)	mm (in)	1290 (50.79)	
Extended Stroke (ES)	mm (in)	1440 (56.7)	
<b>Force</b>			
Max. Force @ 48VDC	N (lbf)	572 (129)	
Max. Force @ 72VDC	N (lbf)	572 (129)	
Max. Cont. Force [Passive cooling / Fan / Fluid]	N (lbf)	140 / 240 / -	(32 / 55 / -)
Max. Border Force relative	%	69	
Force Constant	N/A <sub>pk</sub> (lbf/A <sub>pk</sub> )	22	(4.95)
<b>Velocity</b>			
Max. Velocity @ 48VDC	m/s (in/s)	1.9	(78.9)
Max. Velocity @ 72VDC	m/s (in/s)	2.9	(119.9)
<b>Position Detection</b>			
Repeatability	mm (in)	±0.05	(±0.002)
Linearity	%	± 0.15	
<b>Electrical Data</b>			
Max. Current @ 48VDC	A <sub>pk</sub>	25.9	
Max. Current @ 72VDC	A <sub>pk</sub>	25.9	
Max. Cont. Current [Passive cooling / Fan / Fluid]	A <sub>pk</sub>	6.5 / 11 / -	
<b>Thermal Data</b>			
Max. Winding Temperature (Sensor)	°C	90	
Thermal Resistance [Passive cooling / Fan / Fluid]	*K/W	0.95 / 0.32 / -	
Thermal Time Constant [Passive cooling / Fan / Fluid]	s	970 / 330 / -	
<b>Mechanical Data</b>			
Slider Length	mm (in)	1610	(63)
Slider Mass	g (lb)	7330	(16.13)



Item	Description	Item-No.
<b>PS01-48x240F-C</b>	Stator with IP67 Connector M23/9(m)	0150-1220
<b>PL01-28x1610/1530</b>	Slider 'standard'	0150-1390

**P01-48x240F/1500x1650**

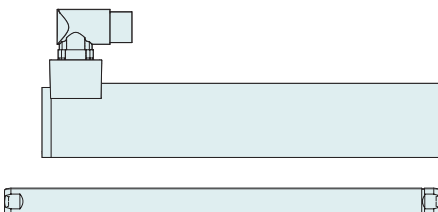
**Max. Stroke:** 1650 mm  
**Peak Force:** 572 N



Dimensions in mm

Technical Data P01-48x240F/1500x1650

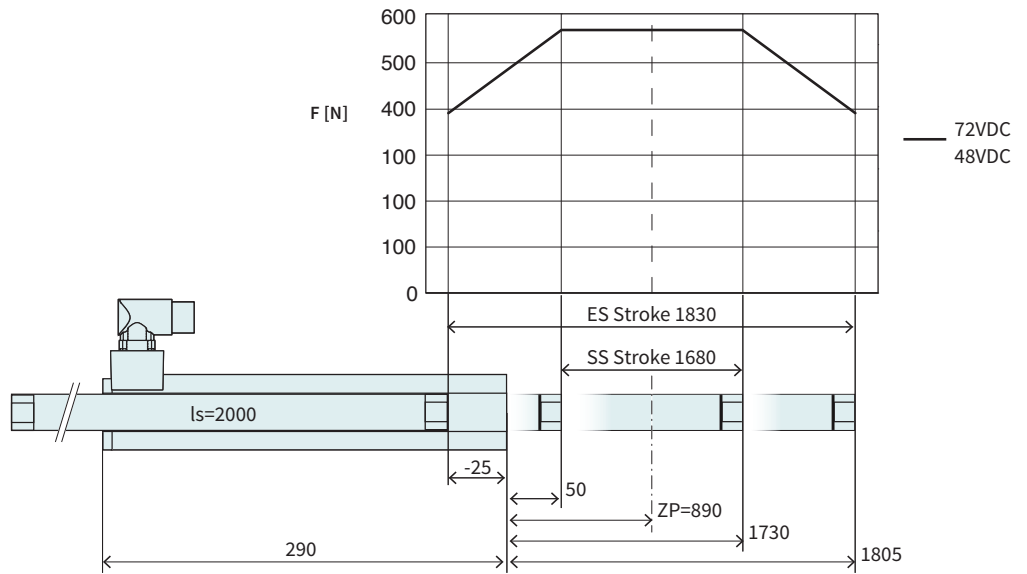
Stroke			
Standard Stroke (SS)	mm (in)	1500 (59.1)	
Extended Stroke (ES)	mm (in)	1650 (64.99)	
Force			
Max. Force @ 48VDC	N (lbf)	572 (129)	
Max. Force @ 72VDC	N (lbf)	572 (129)	
Max. Cont. Force [Passive cooling / Fan / Fluid]	N (lbf)	140 / 240 / -	(32 / 55 / -)
Max. Border Force relative	%	69	
Force Constant	N/A <sub>pk</sub> (lbf/A <sub>pk</sub> )	22	(4.95)
Velocity			
Max. Velocity @ 48VDC	m/s (in/s)	1.9	(78.9)
Max. Velocity @ 72VDC	m/s (in/s)	2.9	(119.9)
Position Detection			
Repeatability	mm (in)	±0.05	(±0.002)
Linearity	%	± 0.15	
Electrical Data			
Max. Current @ 48VDC	A <sub>pk</sub>	25.9	
Max. Current @ 72VDC	A <sub>pk</sub>	25.9	
Max. Cont. Current [Passive cooling / Fan / Fluid]	A <sub>pk</sub>	6.5 / 11 / -	
Thermal Data			
Max. Winding Temperature (Sensor)	°C	90	
Thermal Resistance [Passive cooling / Fan / Fluid]	°K/W	0.95 / 0.32 / -	
Thermal Time Constant [Passive cooling / Fan / Fluid]	s	970 / 330 / -	
Mechanical Data			
Slider Length	mm (in)	1820	(72)
Slider Mass	g (lb)	8300	(18.26)



Item	Description	Item-No.
<b>PS01-48x240F-C</b>	Stator with IP67 Connector M23/9(m)	0150-1220
<b>PL01-28x1820/1740</b>	Slider 'standard'	0150-1395

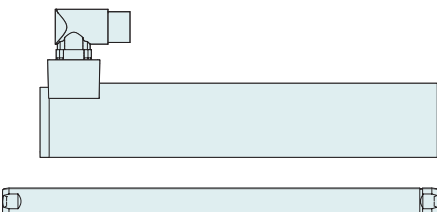
**P01-48x240F/1680x1830**

**Max. Stroke:** 1830 mm  
**Peak Force:** 572 N



Dimensions in mm

Technical Data P01-48x240F/1680x1830				
<b>Stroke</b>				
Standard Stroke (SS)	mm (in)		1680 (66.09)	
Extended Stroke (ES)	mm (in)		1830 (71.99)	
<b>Force</b>				
Max. Force @ 48VDC	N (lbf)		572 (129)	
Max. Force @ 72VDC	N (lbf)		572 (129)	
Max. Cont. Force [Passive cooling / Fan / Fluid]	N (lbf)		140 / 240 / - (32 / 55 / -)	
Max. Border Force relative	%		69	
Force Constant	N/A <sub>pk</sub> (lbf/A <sub>pk</sub> )		22 (4.95)	
<b>Velocity</b>				
Max. Velocity @ 48VDC	m/s (in/s)		1.9 (78.9)	
Max. Velocity @ 72VDC	m/s (in/s)		2.9 (119.9)	
<b>Position Detection</b>				
Repeatability	mm (in)		±0.05 (±0.002)	
Linearity	%		± 0.15	
<b>Electrical Data</b>				
Max. Current @ 48VDC	A <sub>pk</sub>		25.9	
Max. Current @ 72VDC	A <sub>pk</sub>		25.9	
Max. Cont. Current [Passive cooling / Fan / Fluid]	A <sub>pk</sub>		6.5 / 11 / -	
<b>Thermal Data</b>				
Max. Winding Temperature (Sensor)	°C		90	
Thermal Resistance [Passive cooling / Fan / Fluid]	°K/W		0.95 / 0.32 / -	
Thermal Time Constant [Passive cooling / Fan / Fluid]	s		970 / 330 / -	
<b>Mechanical Data</b>				
Slider Length	mm (in)		2000 (79)	
Slider Mass	g (lb)		9140 (20.11)	



Item	Description	Item-No.
<b>PS01-48x240F-C</b>	Stator with IP67 Connector M23/9(m)	0150-1220
<b>PL01-28x2000/1920</b>	Slider 'standard'	0150-1396

**Linear Guides H01**



**HM01-48x240/120 | Linear Module 48x240 with 120 mm Stroke**

→	H-Guide	H01-48x250/120	H-Guide for P01-48x240, Stroke max 120 mm	0150-5100
		H01-48x250/120-GF	H-Guide for P01-48x240, Stroke max 120 mm	0150-5104
→	Stator	PS01-48x240F-C	Stator with IP67 Connector M23/9(m)	0150-1220
→	Slider	PL01-28x410/330	Slider Standard for H01-48x250/120	0150-1381

**HM01-48x240/210 | Linear Module 48x240 with 210 mm Stroke**

→	H-Guide	H01-48x250/210	H-Guide for P01-48x240, Stroke max 210 mm	0150-5101
		H01-48x250/210-GF	H-Guide for P01-48x240, Stroke max 210 mm	0150-5105
→	Stator	PS01-48x240F-C	Stator with IP67 Connector M23/9(m)	0150-1220
→	Slider	PL01-28x500/420	Slider Standard for H01-48x250/210	0150-1382

**HM01-48x240/330 | Linear Module 48x240 with 330 mm Stroke**

→	H-Guide	H01-48x250/330	H-Guide for P01-48x240, Stroke max 330 mm	0150-5102
		H01-48x250/330-GF	H-Guide for P01-48x240, Stroke max 330 mm	0150-5106
→	Stator	PS01-48x240F-C	Stator with IP67 Connector M23/9(m)	0150-1220
→	Slider	PL01-28x620/540	Slider Standard for H01-48x250/330	0150-1383

**HM01-48x240/420 | Linear Module 48x240 with 420 mm Stroke**

→	H-Guide	H01-48x250/420	H-Guide for P01-48x240, Stroke max 420 mm	0150-5103
		H01-48x250/420-GF	H-Guide for P01-48x240, Stroke max 420 mm	0150-5107
→	Stator	PS01-48x240F-C	Stator with IP67 Connector M23/9(m)	0150-1220
→	Slider	PL01-28x710/630	Slider Standard for H01-48x250/420	0150-1384

**Accessories**

→	Brake	HB01-48	Pneumatic Brake for H01-48/1000N(4-6Bar)	0150-5098
→	Fan	HV01-37/48	Fan cooling for H01-37/48 & PF02-37/48	0150-5051
→	MagSpring	MF01-37/H37	Flange MagSpring 37 / H-Guide 23/37/48	0250-2307
→		MA01-37/H48	Adapter MagSpring 37 / H-Guide 48	0250-0118
→	Sliding block	PFN01-8/M6	Sliding block 8mm, M6 thread	0250-3245
→	Centering sleeve	HC01-11/05	Centering sleeve D11x5 mm	0150-3252
→	Wipers	HA01-48/28-F	Wiper for H01-48 guides, front side	0150-5109

FIND MORE PRODUCT DETAILS IN THE CHAPTER "LINEAR GUIDES".

**Bridge Guide B01**



**BM01-48x240/90 | Bridge Module 48x240 with 90 mm Stroke**

→	B-Guide	B01-48x250/90	B-Guide for P01-48x240, Stroke max 90 mm	0150-5150
		B01-48x250/90-GF	B-Guide for P01-48x240, Stroke max 90 mm	0150-5154
→	Stator	PS01-48x240F-C	Stator with IP67 Connector M23/9(m)	0150-1220
→	Slider	PL01-27x410/330	High Clearance Slider for B01-48x250/90	0150-1468

**BM01-48x240/180 | Bridge Module 48x240 with 180 mm Stroke**

→	B-Guide	B01-48x250/180	B-Guide for P01-48x240, Stroke max 180mm	0150-5151
		B01-48x250/180-GF	B-Guide for P01-48x240, Stroke max 180mm	0150-5155
→	Stator	PS01-48x240F-C	Stator with IP67 Connector M23/9(m)	0150-1220
→	Slider	PL01-27x500/420	High Clearance Slider for B01-48x250/180	0150-1469

**BM01-48x240/300 | Bridge Module 48x240 with 300 mm Stroke**

→	B-Guide	B01-48x250/300	B-Guide for P01-48x240, Stroke max 300 mm	0150-5152
		B01-48x250/300-GF	B-Guide for P01-48x240, Stroke max 300 mm	0150-5156
→	Stator	PS01-48x240F-C	Stator with IP67 Connector M23/9(m)	0150-1220
→	Slider	PL01-27x620/540	High Clearance Slider for B01-48x250/300	0150-1470

**BM01-48x240/390 | Bridge Module 48x240 with 390 mm Stroke**

→	B-Guide	B01-48x250/390	B-Guide for P01-48x240, Stroke max 390 mm	0150-5153
		B01-48x250/390-GF	B-Guide for P01-48x240, Stroke max 390 mm	0150-5157
→	Stator	PS01-48x240F-C	Stator with IP67 Connector M23/9(m)	0150-1220
→	Slider	PL01-27x710/630	High Clearance Slider for B01-48x250/390	0150-1471

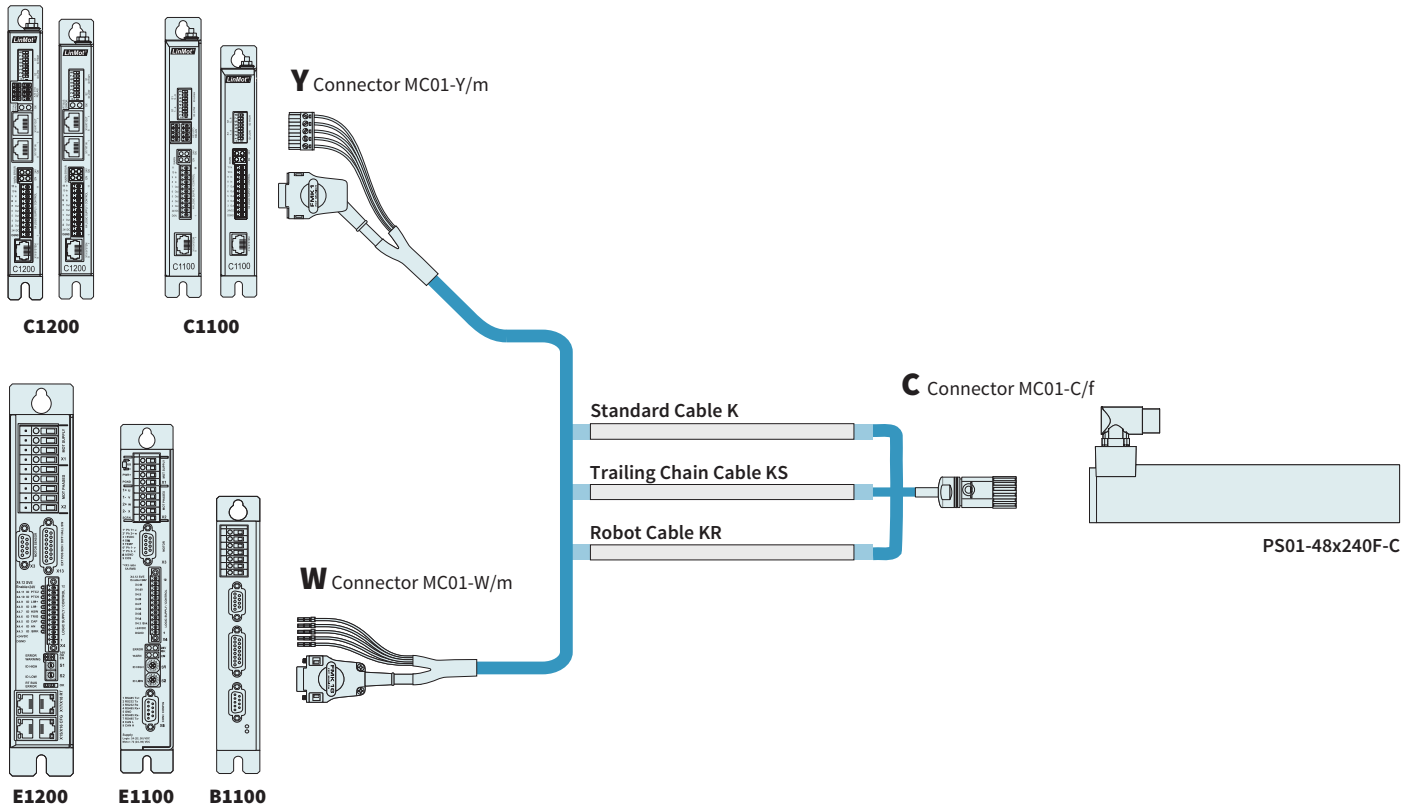
**Accessories**

→	Brake	HB01-48	Pneumatic Brake for H01-48/1000N(4-6Bar)	0150-5098
→	Fan	HV01-37/48	Fan for H01-37 and -48 H-Guideen	0150-5051
→	MagSpring	MF01-37/H37	Flange MagSpring 37 / H-Guide 23/37/48	0250-2307
→		MA01-37/H48	Adapter MagSpring 37 / H-Guide 48	0250-0118
→	Sliding block	PFN01-8/M6	Sliding block 8mm, M6 thread	0250-3245
→	Centering sleeve	HC01-11/05	Centering sleeve D11x5 mm	0150-3252
→	Wipers	HA01-48/27-F	Wiper for H01-48 guides, front side	0150-5178

FIND MORE PRODUCT DETAILS IN THE CHAPTER "LINEAR GUIDES".

Motor Cable

3



ORDERING INFORMATION

STANDARD CABLE

Item	Description	Item-No.
<b>K15-W/C-2</b>	Motor Cable W/C, 2 m	0150-1811
<b>K15-W/C-4</b>	Motor Cable W/C, 4 m	0150-1801
<b>K15-W/C-6</b>	Motor Cable W/C, 6 m	0150-1802
<b>K15-W/C-8</b>	Motor Cable W/C, 8 m	0150-1803
<b>K15-W/C-</b>	Motor Cable W/C, Custom length	0150-3131
<b>K15-Y/C-2</b>	Motor Cable Y/R, 2 m	0150-2429
<b>K15-Y/C-4</b>	Motor Cable Y/R, 4 m	0150-2430
<b>K15-Y/C-6</b>	Motor Cable Y/R, 6 m	0150-2431
<b>K15-Y/C-8</b>	Motor Cable Y/R, 8 m	0150-2432
<b>K15-Y-Fe/C-</b>	Motor Cable Y-Fe/R, Custom length	0150-3506

TRAILING CHAIN CABLE		
Item	Description	Item-No.
<b>KS10-W/C-4</b>	Trailing Chain Cable W/C, 4 m	0150-1807
<b>KS10-W/C-6</b>	Trailing Chain Cable W/C, 6 m	0150-1858
<b>KS10-W/C-8</b>	Trailing Chain Cable W/C, 8 m	0150-1808
<b>KS10-W/C-</b>	Trailing Chain Cable W/C, Custom length	0150-3139
<b>KS10-Y/C-4</b>	Trailing Chain Cable Y/C, 4 m	0150-2439
<b>KS10-Y/C-6</b>	Trailing Chain Cable Y/C, 6 m	0150-2440
<b>KS10-Y/C-8</b>	Trailing Chain Cable Y/C, 8 m	0150-2441
<b>KS10-Y/C-</b>	Trailing Chain Cable Y-Fe/C, Custom length	0150-3511

ROBOT CABLE		
Item	Description	Item-No.
<b>KR10-W/C-</b>	Robot Cable KR10-W/C, Custom length	0150-3199
<b>KR10-Y-Fe/C-</b>	Robot Cable KR10-Y-Fe/C, Custom length	0150-3515

CONNECTOR & CABLE (INDIVIDUAL)		
Item	Description	Item-No.
<b>MC01-W/m</b>	Motor Connector W/m	0150-3140
<b>MC01-Y-Fe/m</b>	Motor Connector Y-Fe/m	0150-3289
<b>MC01-C/f</b>	Motor Connector C/f	0150-3080
<b>MC01-P/f</b>	Motor Connector P/f	0150-3021
<b>K15-04/05</b>	Motor Cable per m	0150-1978
<b>KS10-04/05</b>	Trailing Chain Cable per m	0150-1977
<b>KR10-04/05</b>	Robot Cable per m	0150-1830

**MOTOR FLANGES**



Item	Description	Item-No.
<b>PF01-48x120</b>	Flange 48x120 mm	0150-1976
<b>PF01-48x226</b>	Flange 48x226 mm	0150-2108

FIND MORE PRODUCT DETAILS IN THE CHAPTER "ACCESSORIES".

**FANS**



Item	Description	Item-No.
<b>HV01-37/48</b>	Fan cooling for H01-37, B01-37 and PF02-37	0150-5051

FIND MORE PRODUCT DETAILS IN THE CHAPTER "ACCESSORIES".

**SLIDER MOUNTING**



Item	Description	Item-No.
<b>PLF01-28</b>	Fixed Bearing Set for 27 mm and 28mm Slider	0150-3087
<b>PLF01-28-SS</b>	Fixed Bearing Set for 27 mm and 28 mm Slider, Stainless steel	0150-3297
<b>PLL01-27</b>	Floating Bearing for PL01-27 Slider	0150-3294
<b>PLL01-28</b>	Floating Bearing for PL01-28 Slider	0150-3094
<b>PLM01-28-MK</b>	Mounting Kit for PL01-28 Slider	0150-3095

FIND MORE PRODUCT DETAILS IN THE CHAPTER "ACCESSORIES".



**WIPERS**



Item	Description	Item-No.
<b>PA01-48/27-F</b>	Wipers for PS01-48x...	0150-3228
<b>PA01-48/27-R</b>	Wipers for PS01-48x...-C	0150-3229
<b>PA01-48/28-F</b>	Wipers for PS01-48x...	0150-3127
<b>PA01-48/28-R</b>	Wipers for PS01-48x...-C	0150-3202

FIND MORE PRODUCT DETAILS IN THE CHAPTER "ACCESSORIES".

**EXTERNAL POSITION SENSORS**



Item	Description	Item-No.
<b>MS01-1/D</b>	Linear Encoder 1µm, A/B (for inc. strip)	0150-1840
<b>MB01-1000</b>	Magnetic incremental strip for MS01-1/D, per cm	0150-1963
<b>KS025-D/D-Encoder</b>	Encoder Cable (Length in m)	0150-3166
<b>KS025-D/D15-Encoder</b>	Encoder Cable (Length in m)	0150-3168

FIND MORE PRODUCT DETAILS IN THE CHAPTER "ACCESSORIES".



Item	Description	Item-No.
<b>MS01-1/D-SSI</b>	Linear Encoder 1µm, A/B (for absolute strip)	0150-2095
<b>MB01-1000-ABS</b>	Magnetic absolute strip for MS01-1/D-SSI (per cm)	0150-2096
<b>EC01-ABS/ENC-12-S</b>	MS01-1/D-SSI Encoder connector straight	0150-3616
<b>KSS01-12-D15/ABS-ENC</b>	Special cable for MS01-1/D-SSI on C1100/C1200/C1400/E1200/E1400 Drives	0150-3652

FIND MORE PRODUCT DETAILS IN THE CHAPTER "ACCESSORIES".

Area with horizontal dotted lines for notes.

# LINEAR MOTORS P01-48x360F



- ✓ Highly dynamic drives
- ✓ With a special F-winding for a higher maximum speed
- ✓ Wide stroke range
- ✓ Available with rotatable connector
- ✓ Optional with air cooling
- ✓ Wide range of applications in handling modules as well as in plant and machine construction

## LINEAR MOTORS P01-48x360F

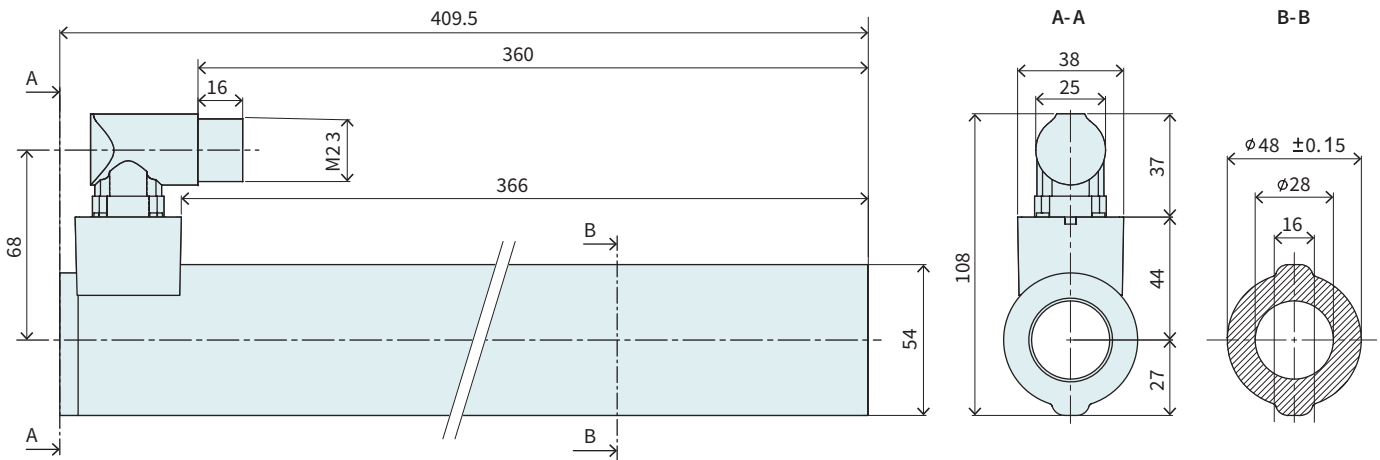
<b>Technical Data</b>	<b>371</b>
<b>Motor Specifications</b>	
P01-48x360F/60x210	<b>375</b>
P01-48x360F/180x330	<b>376</b>
P01-48x360F/270x420	<b>377</b>
P01-48x360F/360x510	<b>378</b>
P01-48x360F/480x630	<b>379</b>
P01-48x360F/570x720	<b>380</b>
P01-48x360F/780x930	<b>381</b>
P01-48x360F/960x1110	<b>382</b>
P01-48x360F/1170x1320	<b>383</b>
P01-48x360F/1380x1530	<b>384</b>
P01-48x360F/1560x1710	<b>385</b>
<b>Linear Guides</b>	<b>386</b>
<b>Accessories</b>	<b>387</b>



### MOTOR FAMILY P01-48x360F

Technical Data				
<b>Stroke</b>				
Standard Stroke (SS)	mm	(in)	≤ 1560	(≤ 61.4)
Extended Stroke (ES)	mm	(in)	≤ 1710	(≤ 67.3)
<b>Force</b>				
Max. Force @ 48VDC	N	(lbf)	905	(204)
Max. Force @ 72VDC	N	(lbf)	1020	(230)
Max. Cont. Force [Passive cooling / Fan / Fluid]	N	(lbf)	200 / 340 / -	(45 / 77 / -)
Max. Border Force relative	%		≤ 79	
Force Constant	N/A <sub>pk</sub>	(lbf/A <sub>pk</sub> )	32	(7.19)
<b>Velocity</b>				
Max. Velocity @ 48VDC	m/s	(in/s)	1.3	(53.9)
Max. Velocity @ 72VDC	m/s	(in/s)	2	(80.9)
<b>Position Detection</b>				
Position Resolution	mm	(in)	0.007	(0.0003)
Repeatability	mm	(in)	±0.05	(±0.002)
Position Resolution with ES	mm	(in)	0.001	(0.00004)
Repeatability with ES	mm	(in)	±0.01	(±0.0004)
Linearity with ES	mm	(in)	±0.01	(±0.0004)
<b>Electrical Data</b>				
Max. Current @ 48VDC	A <sub>pk</sub>		28.2	
Max. Current @ 72VDC	A <sub>pk</sub>		31.9	
Max. Cont. Current [Passive cooling / Fan / Fluid]	A <sub>pk</sub>		6.2 / 11 / -	
Terminal Resistance 25 °C / 120 °C	Ohm		1.4 / 1.9	
Terminal Inductivity	mH		1.6	
Magnetic Period	mm	(in)	60	(2.35)
<b>Thermal Data</b>				
Max. Winding Temperature (Sensor)	°C		90	
Thermal Resistance [Passive cooling / Fan / Fluid]	°K/W		0.72 / 0.24 / -	
Thermal Time Constant [Passive cooling / Fan / Fluid]	s		1000 / 340 / -	
<b>Mechanical Data</b>				
Stator Diameter	mm	(in)	48	(1.9)
Stator Length [Connector type / Cable type]	mm	(in)	409.5	(16)
Stator Mass	g	(lb)	2880	(6.34)
Slider Diameter	mm	(in)	28	(1.1)
Slider Length	mm	(in)	500 - 2000	(20 - 79)
Slider Mass	g	(lb)	2160 - 9140	(4.75 - 20.1)
IP Code			IP 65	

**STATOR**

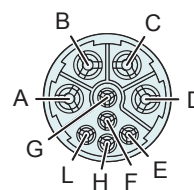


Item	Description	Item-No.
PS01-48x360F-C	Stator with IP67 Connector M23/9(m)	0150-1269

**CONNECTOR**

Motor Connector Wiring	PS01-37x240-C PS01-37x240-C20	Wire color motor cable
	C-Connector	
Ph 1+	A	red
Ph 1-	B	pink
Ph 2+	C	blue
Ph 2-	D	grey
+5VDC	E	white
GND	F	inner shield
Sin	G	yellow
Cos	H	green
Temp.	L	black
Shield	Housing	outer Shield

**C-Connector**

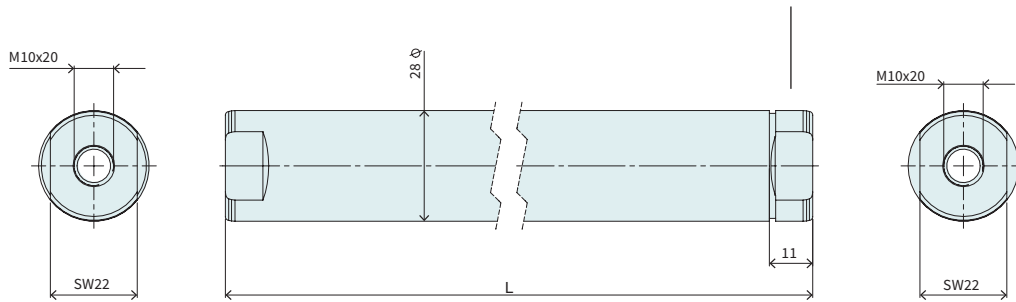


View: Motor Connector, plug side

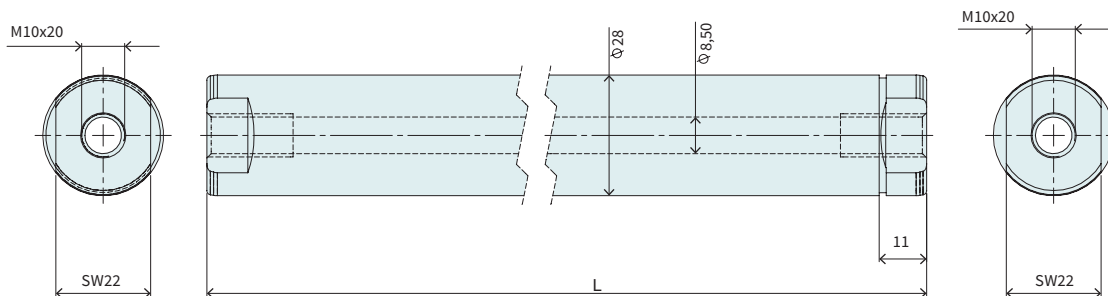
**SLIDER**

**Slider Standard / Heavy Duty**

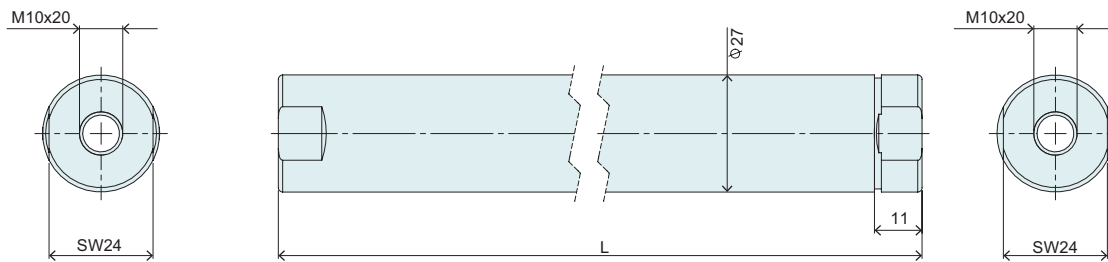
Number of grooves determines the slider type (see chapter 2 / slider) and marks the front end.



**Hollow slider**



**High-Clearance Slider**



Slider Standard				
Item	Description	Max. Stroke [mm]	Standard Stroke [mm]	Item-No.
PL01-28x500/420	Slider 'standard'	330	180	0150-1382
PL01-28x620/540	Slider 'standard'	450	300	0150-1383
PL01-28x710/630	Slider 'standard'	540	390	0150-1384
PL01-28x800/720	Slider 'standard'	630	480	0150-1385
PL01-28x920/840	Slider 'standard'	750	600	0150-1386
PL01-28x1010/930	Slider 'standard'	840	690	0150-1387
PL01-28x1220/1140	Slider 'standard'	1050	900	0150-1388
PL01-28x1400/1320	Slider 'standard'	1230	1080	0150-1389
PL01-28x1610/1530	Slider 'standard'	1440	1290	0150-1390
PL01-28x1820/1740	Slider 'standard'	1650	1500	0150-1395
PL01-28x2000/1920	Slider 'standard'	1830	1680	0150-1396

Slider Heavy Duty				
Item	Description	Max. Stroke [mm]	Standard Stroke [mm]	Item-No.
PL02-28x500/420	Slider 'heavy duty'	330	180	0150-1413
PL02-28x620/540	Slider 'heavy duty'	450	300	0150-1414
PL02-28x710/630	Slider 'heavy duty'	540	390	0150-1415
PL02-28x800/720	Slider 'heavy duty'	630	480	0150-1416
PL02-28x920/840	Slider 'heavy duty'	750	600	0150-1417

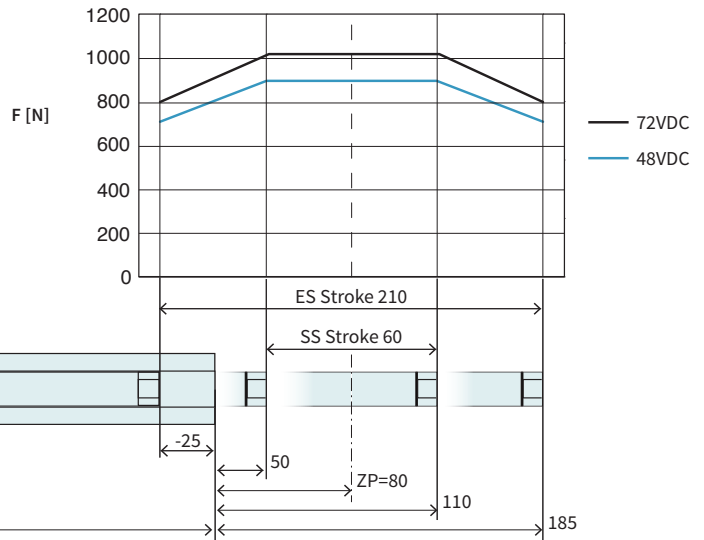
Hollow slider				
Item	Description	Max. Stroke [mm]	Standard Stroke [mm]	Item-No.
PL01-28x500/420-L	Slider 'standard L'	330	180	0150-1480
PL01-28x620/540-L	Slider 'standard L'	450	300	0150-1481
PL01-28x710/630-L	Slider 'standard L'	540	390	0150-1482
PL01-28x800/720-L	Slider 'standard L'	630	480	0150-1483
PL01-28x920/840-L	Slider 'standard L'	750	600	0150-1484

High-Clearance Slider				
Item	Description	Max. Stroke [mm]	Standard Stroke [mm]	Item-No.
PL01-27x500/420	Slider 'high clearance'	330	180	0150-1469
PL01-27x620/540	Slider 'high clearance'	450	300	0150-1470
PL01-27x710/630	Slider 'high clearance'	540	390	0150-1471



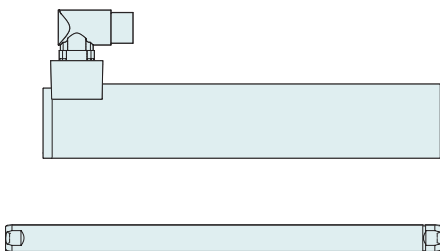
**P01-48x360F/60x210**

**Max. Stroke:** 210 mm  
**Peak Force:** 1020 N



Dimensions in mm

Technical Data P01-48x360F/60x210			
<b>Stroke</b>			
Standard Stroke (SS)	mm (in)	60	(2.35)
Extended Stroke (ES)	mm (in)	210	(8.26)
<b>Force</b>			
Max. Force @ 48VDC	N (lbf)	905	(204)
Max. Force @ 72VDC	N (lbf)	1020	(230)
Max. Cont. Force [Passive cooling / Fan / Fluid]	N (lbf)	200 / 340 / -	(45 / 77 / -)
Max. Border Force relative	%	79	
Force Constant	N/A <sub>pk</sub> (lbf/A <sub>pk</sub> )	32	(7.19)
<b>Velocity</b>			
Max. Velocity @ 48VDC	m/s (in/s)	1.3	(53.9)
Max. Velocity @ 72VDC	m/s (in/s)	2	(80.9)
<b>Position Detection</b>			
Repeatability	mm (in)	±0.05	(±0.002)
Linearity	%	± 0.45	
<b>Electrical Data</b>			
Max. Current @ 48VDC	A <sub>pk</sub>	28.2	
Max. Current @ 72VDC	A <sub>pk</sub>	31.9	
Max. Cont. Current [Passive cooling / Fan / Fluid]	A <sub>pk</sub>	6.2 / 11 / -	
<b>Thermal Data</b>			
Max. Winding Temperature (Sensor)	°C	90	
Thermal Resistance [Passive cooling / Fan / Fluid]	°K/W	0.72 / 0.24 / -	
Thermal Time Constant [Passive cooling / Fan / Fluid]	s	1000 / 340 / -	
<b>Mechanical Data</b>			
Slider Length	mm (in)	500	(20)
Slider Mass	g (lb)	2160	(4.75)



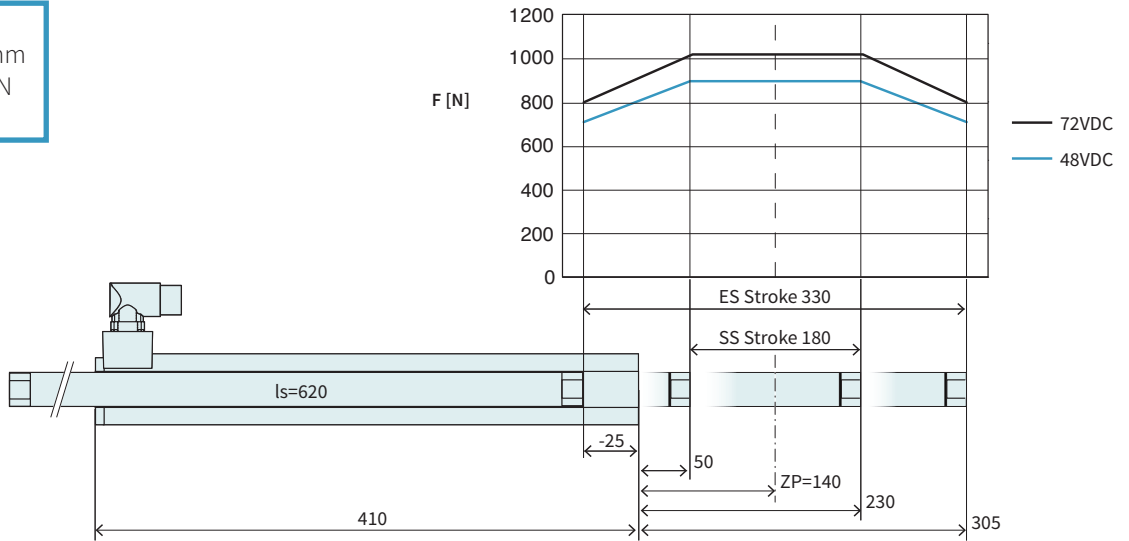
Item	Description	Item-No.
<b>PS01-48x360F-C</b>	Stator with IP67 Connector M23/9(m)	0150-1269
<b>PL01-28x500/420</b>	Slider 'standard'	0150-1382
<b>PL02-28x500/420</b>	Slider 'heavy duty'	0150-1413
<b>PL01-28x500/420-L*</b>	Slider 'standard L'	0150-1480
<b>PL01-27x500/420*</b>	Slider 'high clearance'	0150-1469

\* With this slider, the motor specifications above change.

**P01-48x360F/180x330**

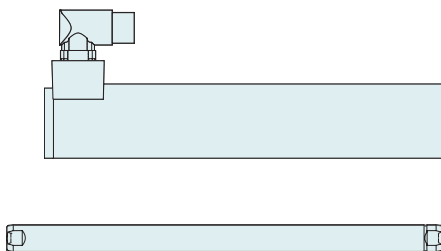
**Max. Stroke:** 330 mm  
**Peak Force:** 1020 N

Dimensions in mm



Technical Data P01-48x360F/180x330

Technical Data P01-48x360F/180x330			
<b>Stroke</b>			
Standard Stroke (SS)	mm (in)	180 (7.08)	
Extended Stroke (ES)	mm (in)	330 (12.99)	
<b>Force</b>			
Max. Force @ 48VDC	N (lbf)	905 (204)	
Max. Force @ 72VDC	N (lbf)	1020 (230)	
Max. Cont. Force [Passive cooling / Fan / Fluid]	N (lbf)	200 / 340 / - (45 / 77 / -)	
Max. Border Force relative	%	79	
Force Constant	N/A <sub>pk</sub> (lbf/A <sub>pk</sub> )	32 (7.19)	
<b>Velocity</b>			
Max. Velocity @ 48VDC	m/s (in/s)	1.3 (53.9)	
Max. Velocity @ 72VDC	m/s (in/s)	2 (80.9)	
<b>Position Detection</b>			
Repeatability	mm (in)	±0.05 (±0.002)	
Linearity	%	± 0.35	
<b>Electrical Data</b>			
Max. Current @ 48VDC	A <sub>pk</sub>	28.2	
Max. Current @ 72VDC	A <sub>pk</sub>	31.9	
Max. Cont. Current [Passive cooling / Fan / Fluid]	A <sub>pk</sub>	6.2 / 11 / -	
<b>Thermal Data</b>			
Max. Winding Temperature (Sensor)	°C	90	
Thermal Resistance [Passive cooling / Fan / Fluid]	°K/W	0.72 / 0.24 / -	
Thermal Time Constant [Passive cooling / Fan / Fluid]	s	1000 / 340 / -	
<b>Mechanical Data</b>			
Slider Length	mm (in)	620 (24)	
Slider Mass	g (lb)	2720 (5.98)	



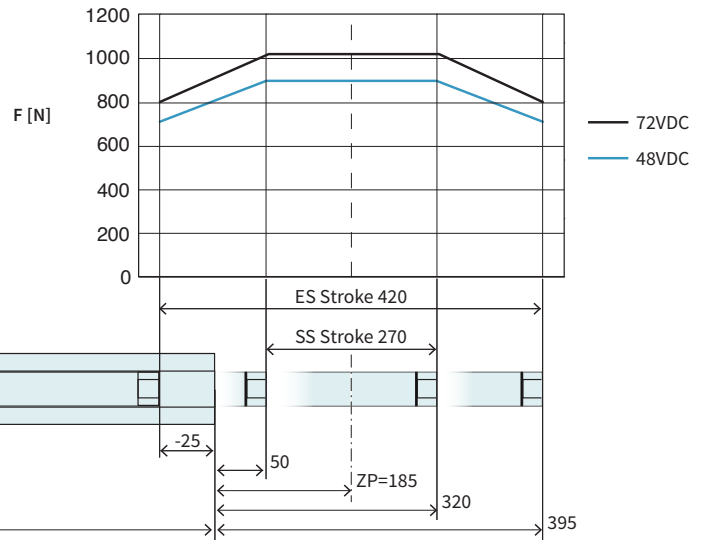
Item	Description	Item-No.
<b>PS01-48x360F-C</b>	Stator with IP67 Connector M23/9(m)	0150-1269

<b>PL01-28x620/540</b>	Slider 'standard'	0150-1383
<b>PL02-28x620/540</b>	Slider 'heavy duty'	0150-1414
<b>PL01-28x620/540-L*</b>	Slider 'standard L'	0150-1481
<b>PL01-27x620/540*</b>	Slider 'high clearance'	0150-1470

\* With this slider, the motor specifications above change.

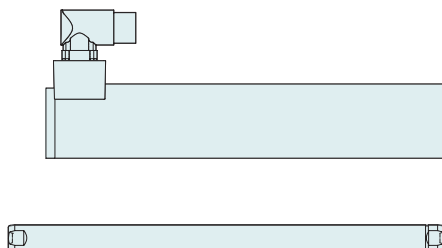
**P01-48x360F/270x420**

**Max. Stroke:** 420 mm  
**Peak Force:** 1020 N



Dimensions in mm

Technical Data P01-48x360F/270x420			
<b>Stroke</b>			
Standard Stroke (SS)	mm (in)	270	(10.59)
Extended Stroke (ES)	mm (in)	420	(16.49)
<b>Force</b>			
Max. Force @ 48VDC	N (lbf)	905	(204)
Max. Force @ 72VDC	N (lbf)	1020	(230)
Max. Cont. Force [Passive cooling / Fan / Fluid]	N (lbf)	200 / 340 / -	(45 / 77 / -)
Max. Border Force relative	%	79	
Force Constant	N/A <sub>pk</sub> (lbf/A <sub>pk</sub> )	32	(7.19)
<b>Velocity</b>			
Max. Velocity @ 48VDC	m/s (in/s)	1.3	(53.9)
Max. Velocity @ 72VDC	m/s (in/s)	2	(80.9)
<b>Position Detection</b>			
Repeatability	mm (in)	±0.05	(±0.002)
Linearity	%	± 0.3	
<b>Electrical Data</b>			
Max. Current @ 48VDC	A <sub>pk</sub>	28.2	
Max. Current @ 72VDC	A <sub>pk</sub>	31.9	
Max. Cont. Current [Passive cooling / Fan / Fluid]	A <sub>pk</sub>	6.2 / 11 / -	
<b>Thermal Data</b>			
Max. Winding Temperature (Sensor)	°C	90	
Thermal Resistance [Passive cooling / Fan / Fluid]	*K/W	0.72 / 0.24 / -	
Thermal Time Constant [Passive cooling / Fan / Fluid]	s	1000 / 340 / -	
<b>Mechanical Data</b>			
Slider Length	mm (in)	710	(28)
Slider Mass	g (lb)	3140	(6.91)



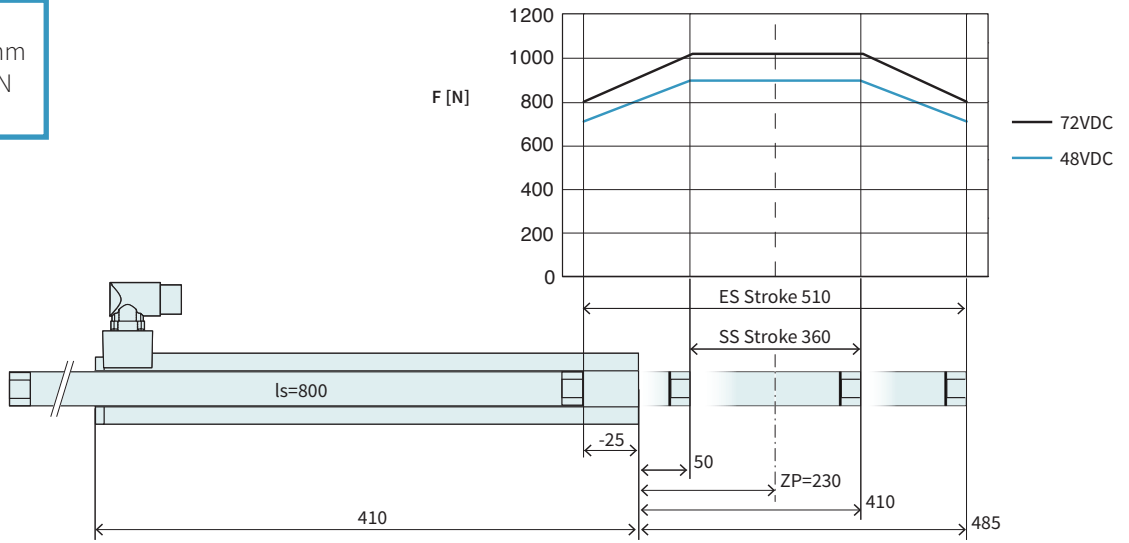
Item	Description	Item-No.
<b>PS01-48x360F-C</b>	Stator with IP67 Connector M23/9(m)	0150-1269
<b>PL01-28x710/630</b>	Slider 'standard'	0150-1384
<b>PL02-28x710/630</b>	Slider 'heavy duty'	0150-1415
<b>PL01-28x710/630-L*</b>	Slider 'standard L'	0150-1482
<b>PL01-27x710/630*</b>	Slider 'high clearance'	0150-1471

\* With this slider, the motor specifications above change.

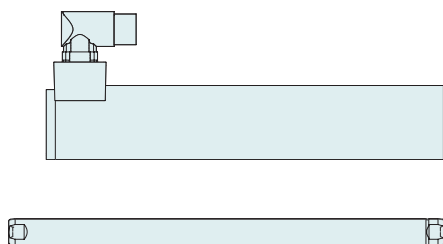
**P01-48x360F/360x510**

**Max. Stroke:** 510 mm  
**Peak Force:** 1020 N

Dimensions in mm



Technical Data P01-48x360F/360x510			
<b>Stroke</b>			
Standard Stroke (SS)	mm (in)	360	(14.19)
Extended Stroke (ES)	mm (in)	510	(20.1)
<b>Force</b>			
Max. Force @ 48VDC	N (lbf)	905	(204)
Max. Force @ 72VDC	N (lbf)	1020	(230)
Max. Cont. Force [Passive cooling / Fan / Fluid]	N (lbf)	200 / 340 / -	(45 / 77 / -)
Max. Border Force relative	%	79	
Force Constant	N/A <sub>pk</sub> (lbf/A <sub>pk</sub> )	32	(7.19)
<b>Velocity</b>			
Max. Velocity @ 48VDC	m/s (in/s)	1.3	(53.9)
Max. Velocity @ 72VDC	m/s (in/s)	2	(80.9)
<b>Position Detection</b>			
Repeatability	mm (in)	±0.05	(±0.002)
Linearity	%	± 0.25	
<b>Electrical Data</b>			
Max. Current @ 48VDC	A <sub>pk</sub>	28.2	
Max. Current @ 72VDC	A <sub>pk</sub>	31.9	
Max. Cont. Current [Passive cooling / Fan / Fluid]	A <sub>pk</sub>	6.2 / 11 / -	
<b>Thermal Data</b>			
Max. Winding Temperature (Sensor)	°C	90	
Thermal Resistance [Passive cooling / Fan / Fluid]	°K/W	0.72 / 0.24 / -	
Thermal Time Constant [Passive cooling / Fan / Fluid]	s	1000 / 340 / -	
<b>Mechanical Data</b>			
Slider Length	mm (in)	800	(31)
Slider Mass	g (lb)	3560	(7.83)

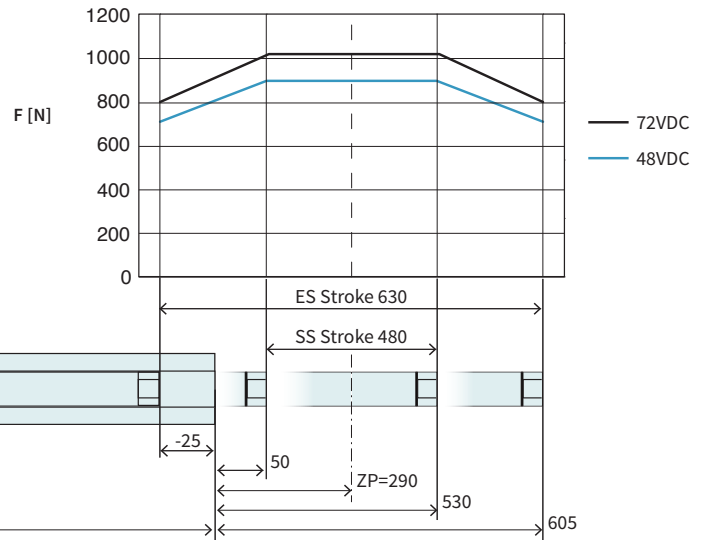


Item	Description	Item-No.
<b>PS01-48x360F-C</b>	Stator with IP67 Connector M23/9(m)	0150-1269
<b>PL01-28x800/720</b>	Slider 'standard'	0150-1385
<b>PL02-28x800/720</b>	Slider 'heavy duty'	0150-1416
<b>PL01-28x800/720-L*</b>	Slider 'standard L'	0150-1483

\* With this slider, the motor specifications above change.

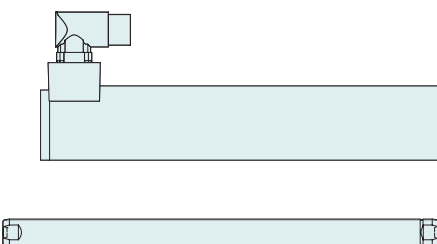
**P01-48x360F/480x630**

**Max. Stroke:** 630 mm  
**Peak Force:** 1020 N



Dimensions in mm

Technical Data P01-48x360F/480x630			
<b>Stroke</b>			
Standard Stroke (SS)	mm (in)		480 (18.89)
Extended Stroke (ES)	mm (in)		630 (24.8)
<b>Force</b>			
Max. Force @ 48VDC	N (lbf)		905 (204)
Max. Force @ 72VDC	N (lbf)		1020 (230)
Max. Cont. Force [Passive cooling / Fan / Fluid]	N (lbf)		200 / 340 / - (45 / 77 / -)
Max. Border Force relative	%		79
Force Constant	N/A <sub>pk</sub> (lbf/A <sub>pk</sub> )		32 (7.19)
<b>Velocity</b>			
Max. Velocity @ 48VDC	m/s (in/s)		1.3 (53.9)
Max. Velocity @ 72VDC	m/s (in/s)		2 (80.9)
<b>Position Detection</b>			
Repeatability	mm (in)		±0.05 (±0.002)
Linearity	%		± 0.2
<b>Electrical Data</b>			
Max. Current @ 48VDC	A <sub>pk</sub>		28.2
Max. Current @ 72VDC	A <sub>pk</sub>		31.9
Max. Cont. Current [Passive cooling / Fan / Fluid]	A <sub>pk</sub>		6.2 / 11 / -
<b>Thermal Data</b>			
Max. Winding Temperature (Sensor)	°C		90
Thermal Resistance [Passive cooling / Fan / Fluid]	°K/W		0.72 / 0.24 / -
Thermal Time Constant [Passive cooling / Fan / Fluid]	s		1000 / 340 / -
<b>Mechanical Data</b>			
Slider Length	mm (in)		920 (36)
Slider Mass	g (lb)		4120 (9.06)



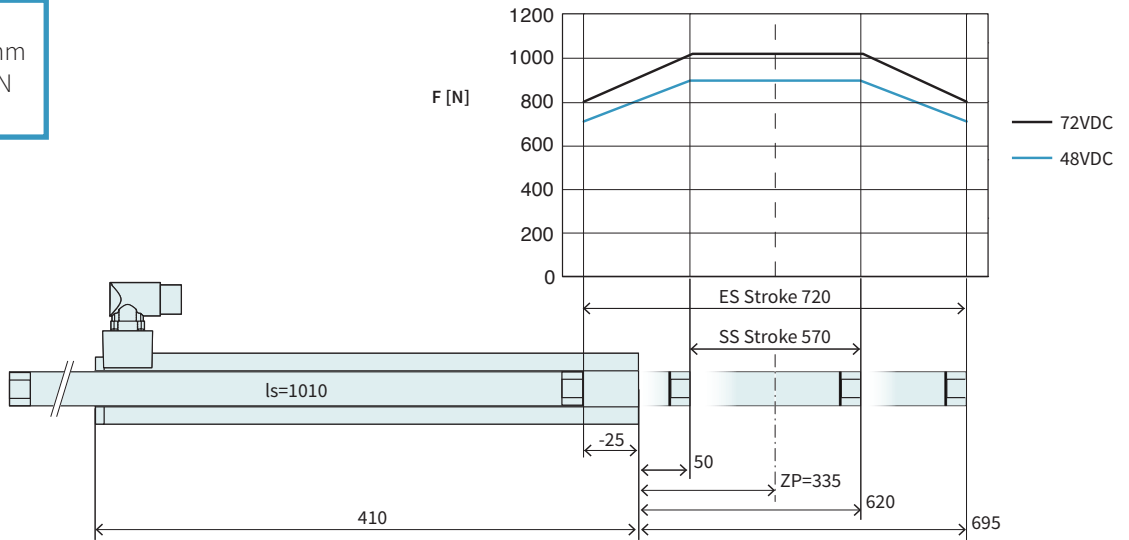
Item	Description	Item-No.
<b>PS01-48x360F-C</b>	Stator with IP67 Connector M23/9(m)	0150-1269
<b>PL01-28x920/840</b>	Slider 'standard'	0150-1386
<b>PL02-28x920/840</b>	Slider 'heavy duty'	0150-1417
<b>PL01-28x920/840-L*</b>	Slider 'standard L'	0150-1484

\* With this slider, the motor specifications above change.

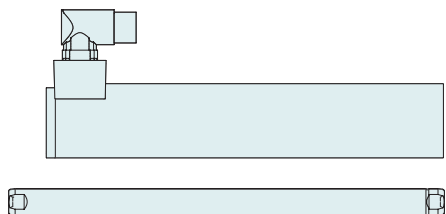
**P01-48x360F/570x720**

**Max. Stroke:** 720 mm  
**Peak Force:** 1020 N

Dimensions in mm



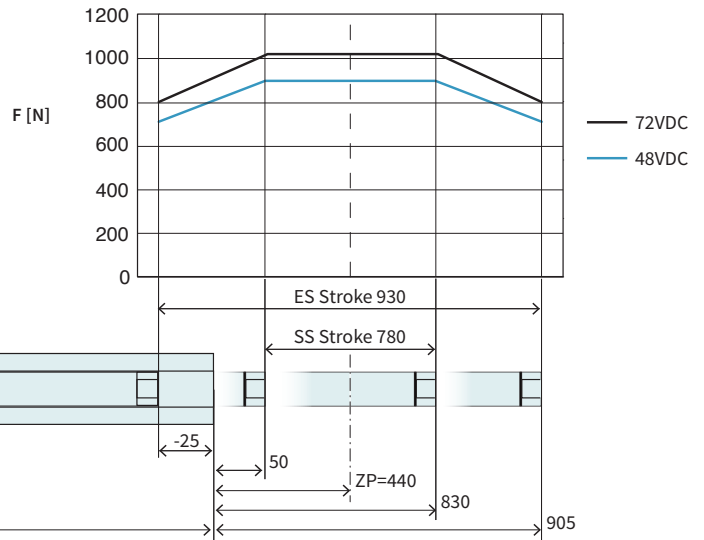
Technical Data P01-48x360F/570x720			
<b>Stroke</b>			
Standard Stroke (SS)	mm (in)	570 (22.39)	
Extended Stroke (ES)	mm (in)	720 (28.3)	
<b>Force</b>			
Max. Force @ 48VDC	N (lbf)	905 (204)	
Max. Force @ 72VDC	N (lbf)	1020 (230)	
Max. Cont. Force [Passive cooling / Fan / Fluid]	N (lbf)	200 / 340 / - (45 / 77 / -)	
Max. Border Force relative	%	79	
Force Constant	N/A <sub>pk</sub> (lbf/A <sub>pk</sub> )	32 (7.19)	
<b>Velocity</b>			
Max. Velocity @ 48VDC	m/s (in/s)	1.3 (53.9)	
Max. Velocity @ 72VDC	m/s (in/s)	2 (80.9)	
<b>Position Detection</b>			
Repeatability	mm (in)	±0.05 (±0.002)	
Linearity	%	± 0.2	
<b>Electrical Data</b>			
Max. Current @ 48VDC	A <sub>pk</sub>	28.2	
Max. Current @ 72VDC	A <sub>pk</sub>	31.9	
Max. Cont. Current [Passive cooling / Fan / Fluid]	A <sub>pk</sub>	6.2 / 11 / -	
<b>Thermal Data</b>			
Max. Winding Temperature (Sensor)	°C	90	
Thermal Resistance [Passive cooling / Fan / Fluid]	°K/W	0.72 / 0.24 / -	
Thermal Time Constant [Passive cooling / Fan / Fluid]	s	1000 / 340 / -	
<b>Mechanical Data</b>			
Slider Length	mm (in)	1010 (40)	
Slider Mass	g (lb)	4540 (10)	



Item	Description	Item-No.
<b>PS01-48x360F-C</b>	Stator with IP67 Connector M23/9(m)	0150-1269
<b>PL01-28x1010/930</b>	Slider 'standard'	0150-1387

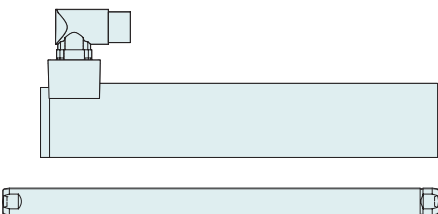
**P01-48x360F/780x930**

**Max. Stroke:** 930 mm  
**Peak Force:** 1020 N



Dimensions in mm

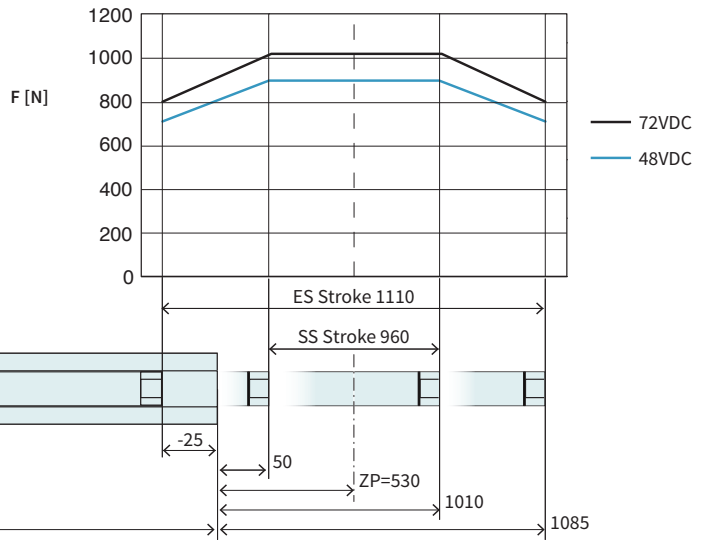
Technical Data P01-48x360F/780x930				
<b>Stroke</b>				
Standard Stroke (SS)	mm	(in)	780	(30.69)
Extended Stroke (ES)	mm	(in)	930	(36.6)
<b>Force</b>				
Max. Force @ 48VDC	N	(lbf)	905	(204)
Max. Force @ 72VDC	N	(lbf)	1020	(230)
Max. Cont. Force [Passive cooling / Fan / Fluid]	N	(lbf)	200 / 340 / -	(45 / 77 / -)
Max. Border Force relative	%		79	
Force Constant	N/A <sub>pk</sub>	(lbf/A <sub>pk</sub> )	32	(7.19)
<b>Velocity</b>				
Max. Velocity @ 48VDC	m/s	(in/s)	1.3	(53.9)
Max. Velocity @ 72VDC	m/s	(in/s)	2	(80.9)
<b>Position Detection</b>				
Repeatability	mm	(in)	±0.05	(±0.002)
Linearity	%		± 0.2	
<b>Electrical Data</b>				
Max. Current @ 48VDC	A <sub>pk</sub>		28.2	
Max. Current @ 72VDC	A <sub>pk</sub>		31.9	
Max. Cont. Current [Passive cooling / Fan / Fluid]	A <sub>pk</sub>		6.2 / 11 / -	
<b>Thermal Data</b>				
Max. Winding Temperature (Sensor)	°C		90	
Thermal Resistance [Passive cooling / Fan / Fluid]	°K/W		0.72 / 0.24 / -	
Thermal Time Constant [Passive cooling / Fan / Fluid]	s		1000 / 340 / -	
<b>Mechanical Data</b>				
Slider Length	mm	(in)	1220	(48)
Slider Mass	g	(lb)	5510	(12.12)



Item	Description	Item-No.
<b>PS01-48x360F-C</b>	Stator with IP67 Connector M23/9(m)	0150-1269
<b>PL01-28x1220/1140</b>	Slider 'standard'	0150-1388

**P01-48x360F/960x1110**

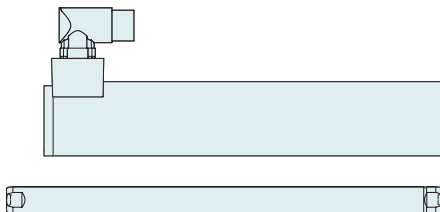
**Max. Stroke:** 1110 mm  
**Peak Force:** 1020 N



Dimensions in mm

**Technical Data P01-48x360F/960x1110**

Stroke			
Standard Stroke (SS)	mm (in)	960	(37.79)
Extended Stroke (ES)	mm (in)	1110	(43.7)
Force			
Max. Force @ 48VDC	N (lbf)	905	(204)
Max. Force @ 72VDC	N (lbf)	1020	(230)
Max. Cont. Force [Passive cooling / Fan / Fluid]	N (lbf)	200 / 340 / -	(45 / 77 / -)
Max. Border Force relative	%	79	
Force Constant	N/A <sub>pk</sub> (lbf/A <sub>pk</sub> )	32	(7.19)
Velocity			
Max. Velocity @ 48VDC	m/s (in/s)	1.3	(53.9)
Max. Velocity @ 72VDC	m/s (in/s)	2	(80.9)
Position Detection			
Repeatability	mm (in)	±0.05	(±0.002)
Linearity	%	± 0.15	
Electrical Data			
Max. Current @ 48VDC	A <sub>pk</sub>	28.2	
Max. Current @ 72VDC	A <sub>pk</sub>	31.9	
Max. Cont. Current [Passive cooling / Fan / Fluid]	A <sub>pk</sub>	6.2 / 11 / -	
Thermal Data			
Max. Winding Temperature (Sensor)	°C	90	
Thermal Resistance [Passive cooling / Fan / Fluid]	°K/W	0.72 / 0.24 / -	
Thermal Time Constant [Passive cooling / Fan / Fluid]	s	1000 / 340 / -	
Mechanical Data			
Slider Length	mm (in)	1400	(55)
Slider Mass	g (lb)	6350	(13.97)

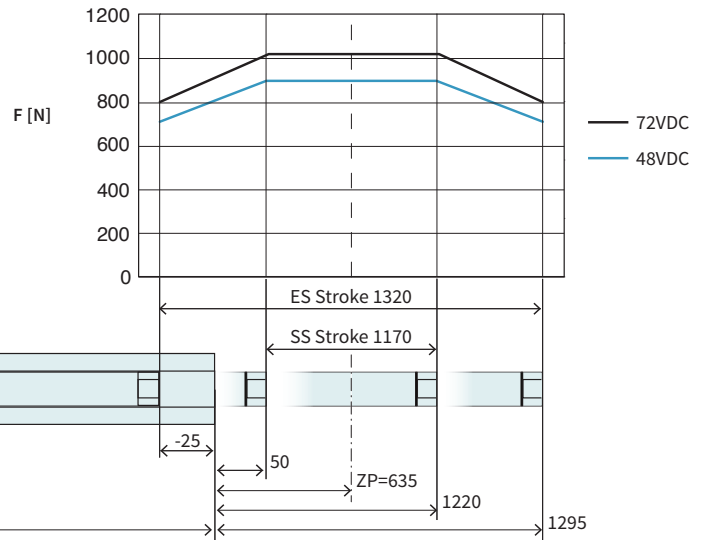


Item	Description	Item-No.
<b>PS01-48x360F-C</b>	Stator with IP67 Connector M23/9(m)	0150-1269
<b>PL01-28x1400/1320</b>	Slider 'standard'	0150-1389

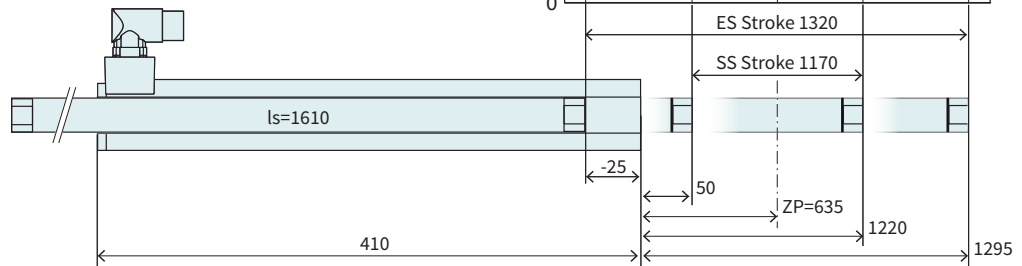


**P01-48x360F/1170x1320**

**Max. Stroke:** 1320 mm  
**Peak Force:** 1020 N



Dimensions in mm



Technical Data P01-48x360F/1170x1320			
<b>Stroke</b>			
Standard Stroke (SS)	mm (in)	1170 (46.1)	
Extended Stroke (ES)	mm (in)	1320 (51.99)	
<b>Force</b>			
Max. Force @ 48VDC	N (lbf)	905 (204)	
Max. Force @ 72VDC	N (lbf)	1020 (230)	
Max. Cont. Force [Passive cooling / Fan / Fluid]	N (lbf)	200 / 340 / -	(45 / 77 / -)
Max. Border Force relative	%	79	
Force Constant	N/A <sub>pk</sub> (lbf/A <sub>pk</sub> )	32	(7.19)
<b>Velocity</b>			
Max. Velocity @ 48VDC	m/s (in/s)	1.3 (53.9)	
Max. Velocity @ 72VDC	m/s (in/s)	2	(80.9)
<b>Position Detection</b>			
Repeatability	mm (in)	±0.05	(±0.002)
Linearity	%	± 0.15	
<b>Electrical Data</b>			
Max. Current @ 48VDC	A <sub>pk</sub>	28.2	
Max. Current @ 72VDC	A <sub>pk</sub>	31.9	
Max. Cont. Current [Passive cooling / Fan / Fluid]	A <sub>pk</sub>	6.2 / 11 / -	
<b>Thermal Data</b>			
Max. Winding Temperature (Sensor)	°C	90	
Thermal Resistance [Passive cooling / Fan / Fluid]	°K/W	0.72 / 0.24 / -	
Thermal Time Constant [Passive cooling / Fan / Fluid]	s	1000 / 340 / -	
<b>Mechanical Data</b>			
Slider Length	mm (in)	1610 (63)	
Slider Mass	g (lb)	7330 (16.13)	

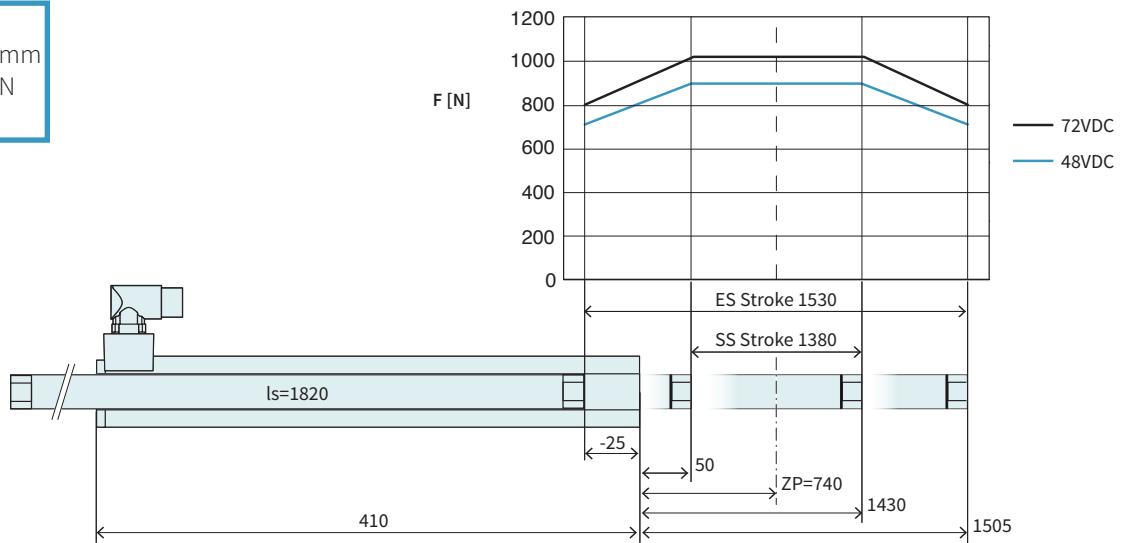


Item	Description	Item-No.
<b>PS01-48x360F-C</b>	Stator with IP67 Connector M23/9(m)	0150-1269
<b>PL01-28x1610/1530</b>	Slider 'standard'	0150-1390

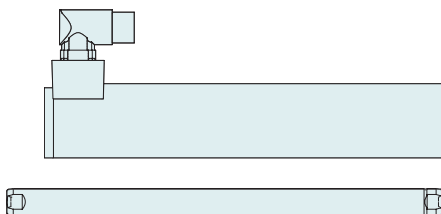
**P01-48x360F/1380x1530**

**Max. Stroke:** 1530 mm  
**Peak Force:** 1020 N

Dimensions in mm



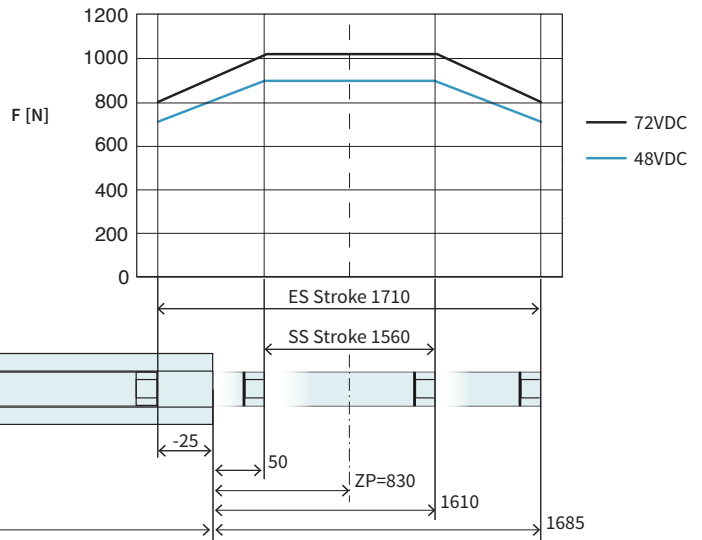
Technical Data P01-48x360F/1380x1530			
<b>Stroke</b>			
Standard Stroke (SS)	mm (in)	1380 (54.29)	
Extended Stroke (ES)	mm (in)	1530 (60.2)	
<b>Force</b>			
Max. Force @ 48VDC	N (lbf)	905 (204)	
Max. Force @ 72VDC	N (lbf)	1020 (230)	
Max. Cont. Force [Passive cooling / Fan / Fluid]	N (lbf)	200 / 340 / - (45 / 77 / -)	
Max. Border Force relative	%	79	
Force Constant	N/A <sub>pk</sub> (lbf/A <sub>pk</sub> )	32 (7.19)	
<b>Velocity</b>			
Max. Velocity @ 48VDC	m/s (in/s)	1.3 (53.9)	
Max. Velocity @ 72VDC	m/s (in/s)	2 (80.9)	
<b>Position Detection</b>			
Repeatability	mm (in)	±0.05 (±0.002)	
Linearity	%	± 0.15	
<b>Electrical Data</b>			
Max. Current @ 48VDC	A <sub>pk</sub>	28.2	
Max. Current @ 72VDC	A <sub>pk</sub>	31.9	
Max. Cont. Current [Passive cooling / Fan / Fluid]	A <sub>pk</sub>	6.2 / 11 / -	
<b>Thermal Data</b>			
Max. Winding Temperature (Sensor)	°C	90	
Thermal Resistance [Passive cooling / Fan / Fluid]	°K/W	0.72 / 0.24 / -	
Thermal Time Constant [Passive cooling / Fan / Fluid]	s	1000 / 340 / -	
<b>Mechanical Data</b>			
Slider Length	mm (in)	1820 (72)	
Slider Mass	g (lb)	8300 (18.26)	



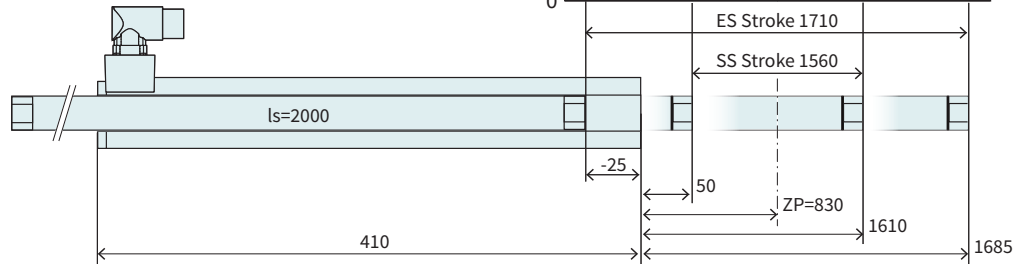
Item	Description	Item-No.
<b>PS01-48x360F-C</b>	Stator with IP67 Connector M23/9(m)	0150-1269
<b>PL01-28x1820/1740</b>	Slider 'standard'	0150-1395

**P01-48x360F/1560x1710**

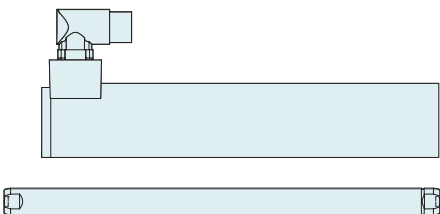
**Max. Stroke:** 1710 mm  
**Peak Force:** 1020 N



Dimensions in mm



Technical Data P01-48x360F/1560x1710				
<b>Stroke</b>				
Standard Stroke (SS)	mm (in)		1560 (61.39)	
Extended Stroke (ES)	mm (in)		1710 (67.29)	
<b>Force</b>				
Max. Force @ 48VDC	N (lbf)		905 (204)	
Max. Force @ 72VDC	N (lbf)		1020 (230)	
Max. Cont. Force [Passive cooling / Fan / Fluid]	N (lbf)		200 / 340 / - (45 / 77 / -)	
Max. Border Force relative	%		79	
Force Constant	N/A <sub>pk</sub> (lbf/A <sub>pk</sub> )		32 (7.19)	
<b>Velocity</b>				
Max. Velocity @ 48VDC	m/s (in/s)		1.3 (53.9)	
Max. Velocity @ 72VDC	m/s (in/s)		2 (80.9)	
<b>Position Detection</b>				
Repeatability	mm (in)		±0.05 (±0.002)	
Linearity	%		± 0.15	
<b>Electrical Data</b>				
Max. Current @ 48VDC	A <sub>pk</sub>		28.2	
Max. Current @ 72VDC	A <sub>pk</sub>		31.9	
Max. Cont. Current [Passive cooling / Fan / Fluid]	A <sub>pk</sub>		6.2 / 11 / -	
<b>Thermal Data</b>				
Max. Winding Temperature (Sensor)	°C		90	
Thermal Resistance [Passive cooling / Fan / Fluid]	°K/W		0.72 / 0.24 / -	
Thermal Time Constant [Passive cooling / Fan / Fluid]	s		1000 / 340 / -	
<b>Mechanical Data</b>				
Slider Length	mm (in)		2000 (79)	
Slider Mass	g (lb)		9140 (20.11)	



Item	Description	Item-No.
<b>PS01-48x360F-C</b>	Stator with IP67 Connector M23/9(m)	0150-1269
<b>PL01-28x2000/1920</b>	Slider 'standard'	0150-1396

**Linear Guides H01**



**HM01-48x360/90 | Linear Module 48x360 with 90 mm Stroke**

→	H-Guide	H01-48x370/90	H-Guide for P01-48x360, Stroke max 90 mm	0150-5240
		H01-48x370/90-GF	H-Guide for P01-48x360, Stroke max 90 mm	0150-5243
→	Stator	PS01-48x360F-C	Stator with IP67 Connector M23/9(m)	0150-1269
→	Slider	PL01-28x500/420	Slider Standard	0150-1382

**HM01-48x360/210 | Linear Module 48x360 with 210 mm Stroke**

→	H-Guide	H01-48x370/210	H-Guide for P01-48x360, Stroke max 210 mm	0150-5241
		H01-48x370/210-GF	H-Guide for P01-48x360, Stroke max 210 mm	0150-5244
→	Stator	PS01-48x360F-C	Stator with IP67 Connector M23/9(m)	0150-1269
→	Slider	PL01-28x620/540	Slider Standard	0150-1383

**HM01-48x360/300 | Linear Module 48x360 with 300 mm Stroke**

→	H-Guide	H01-48x370/300	H-Guide for P01-48x360, Stroke max 300 mm	0150-5242
		H01-48x370/300-GF	H-Guide for P01-48x360, Stroke max 300 mm	0150-5245
→	Stator	PS01-48x360F-C	Stator with IP67 Connector M23/9(m)	0150-1269
→	Slider	PL01-28x710/630	Slider Standard	0150-1383

**HM01-48x360/510 | Linear Module 48x360 with 510 mm Stroke**

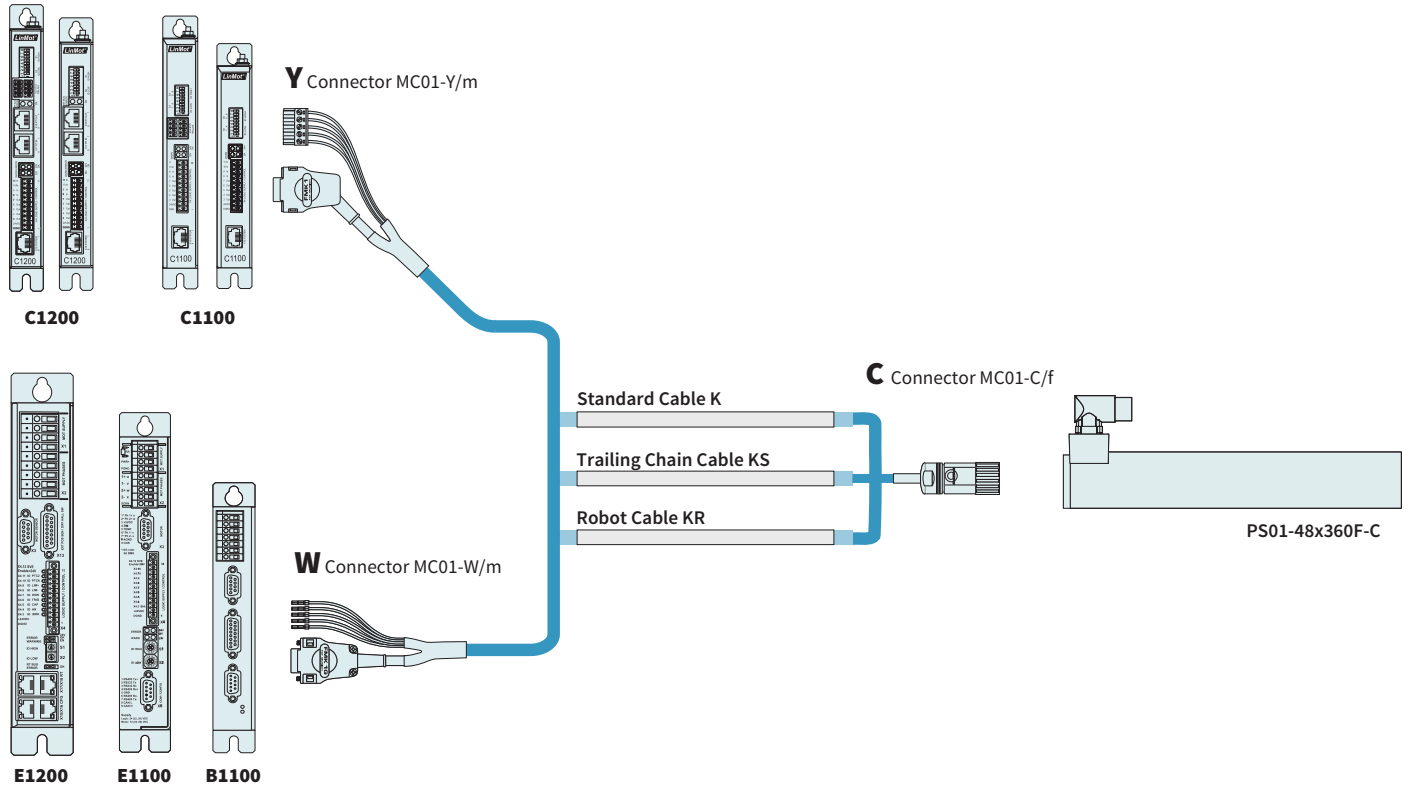
→	H-Guide	H01-48x370/510	H-Guide for P01-48x360, Stroke max 510 mm	0150-5252
		H01-48x370/510-GF	H-Guide for P01-48x360, Stroke max 510 mm	on request
→	Stator	PS01-48x360F-C	Stator with IP67 Connector M23/9(m)	0150-1269
→	Slider	PL01-28x920/840	Slider Standard	0150-1386

**Accessories**

→	Brake	HB01-48	Pneumatic Brake for H01-48/1000N(4-6Bar)	0150-5098
→	Fan	HV01-37/48	Fan cooling for H01-37/48 & PF02-37/48	0150-5051
→	MagSpring	MF01-37/H37	Flange MagSpring 37 / H-Guide 23/37/48	0250-2307
→		MA01-37/H48	Adapter MagSpring 37 / H-Guide 48	0250-0118
→	Sliding block	PFN01-8/M6	Sliding block 8mm, M6 thread	0250-3245
→	Centering sleeve	HC01-11/05	Centering sleeve D11x5 mm	0150-3252
→	Wipers	HA01-48/28-F	Wiper for H01-48 guides, front side	0150-5109

FIND MORE PRODUCT DETAILS IN THE CHAPTER "LINEAR GUIDES".

**Motor Cable**



**ORDERING INFORMATION**

STANDARD CABLE		
Item	Description	Item-No.
<b>K15-W/C-2</b>	Motor Cable W/C, 2 m	0150-1811
<b>K15-W/C-4</b>	Motor Cable W/C, 4 m	0150-1801
<b>K15-W/C-6</b>	Motor Cable W/C, 6 m	0150-1802
<b>K15-W/C-8</b>	Motor Cable W/C, 8 m	0150-1803
<b>K15-W/C-</b>	Motor Cable W/C, Custom length	0150-3131
<b>K15-Y/C-2</b>	Motor Cable Y/R, 2 m	0150-2429
<b>K15-Y/C-4</b>	Motor Cable Y/R, 4 m	0150-2430
<b>K15-Y/C-6</b>	Motor Cable Y/R, 6 m	0150-2431
<b>K15-Y/C-8</b>	Motor Cable Y/R, 8 m	0150-2432
<b>K15-Y-Fe/C-</b>	Motor Cable Y-Fe/R, Custom length	0150-3506

## TRAILING CHAIN CABLE

Item	Description	Item-No.
<b>KS10-W/C-4</b>	Trailing Chain Cable W/C, 4 m	0150-1807
<b>KS10-W/C-6</b>	Trailing Chain Cable W/C, 6 m	0150-1858
<b>KS10-W/C-8</b>	Trailing Chain Cable W/C, 8 m	0150-1808
<b>KS10-W/C-</b>	Trailing Chain Cable W/C, Custom length	0150-3139
<b>KS10-Y/C-4</b>	Trailing Chain Cable Y/C, 4 m	0150-2439
<b>KS10-Y/C-6</b>	Trailing Chain Cable Y/C, 6 m	0150-2440
<b>KS10-Y/C-8</b>	Trailing Chain Cable Y/C, 8 m	0150-2441
<b>KS10-Y/C-</b>	Trailing Chain Cable Y-Fe/C, Custom length	0150-3511

## ROBOT CABLE

Item	Description	Item-No.
<b>KR10-W/C-</b>	Robot Cable KR10-W/C, Custom length	0150-3199
<b>KR10-Y-Fe/C-</b>	Robot Cable KR10-Y-Fe/C, Custom length	0150-3515

## CONNECTOR &amp; CABLE (INDIVIDUAL)

Item	Description	Item-No.
<b>MC01-W/m</b>	Motor Connector W/m	0150-3140
<b>MC01-Y-Fe/m</b>	Motor Connector Y-Fe/m	0150-3289
<b>MC01-C/f</b>	Motor Connector C/f	0150-3080
<b>MC01-P/f</b>	Motor Connector P/f	0150-3021
<b>K15-04/05</b>	Motor Cable per m	0150-1978
<b>KS10-04/05</b>	Trailing Chain Cable per m	0150-1977
<b>KR10-04/05</b>	Robot Cable per m	0150-1830

**MOTOR FLANGES**



Item	Description	Item-No.
PF01-48x346	Flange 48x120 mm	0150-2145

FIND MORE PRODUCT DETAILS IN THE CHAPTER "ACCESSORIES".

**FANS**



Item	Description	Item-No.
HV01-37/48	Fan cooling for H01-37, B01-37 and PF02-37	0150-5051

FIND MORE PRODUCT DETAILS IN THE CHAPTER "ACCESSORIES".

**SLIDER MOUNTING**



Item	Description	Item-No.
PLF01-28	Fixed Bearing Set for 27 mm and 28mm Slider	0150-3087
PLF01-28-SS	Fixed Bearing Set for 27 mm and 28 mm Slider, Stainless steel	0150-3297
PLL01-27	Floating Bearing for PL01-27 Slider	0150-3294
PLL01-28	Floating Bearing for PL01-28 Slider	0150-3094
PLM01-28-MK	Mounting Kit for PL01-28 Slider	0150-3095

FIND MORE PRODUCT DETAILS IN THE CHAPTER "ACCESSORIES".

**WIPERS**



Item	Description	Item-No.
<b>PA01-48/27-F</b>	Wipers for PS01-48x...	0150-3228
<b>PA01-48/27-R</b>	Wipers for PS01-48x...-C	0150-3229
<b>PA01-48/28-F</b>	Wipers for PS01-48x...	0150-3127
<b>PA01-48/28-R</b>	Wipers for PS01-48x...-C	0150-3202

FIND MORE PRODUCT DETAILS IN THE CHAPTER "ACCESSORIES".

**EXTERNAL POSITION SENSORS**



Item	Description	Item-No.
<b>MS01-1/D</b>	Linear Encoder 1µm, A/B (for inc. strip)	0150-1840
<b>MB01-1000</b>	Magnetic incremental strip for MS01-1/D, per cm	0150-1963
<b>KS025-D/D-Encoder</b>	Encoder Cable (Length in m)	0150-3166
<b>KS025-D/D15-Encoder</b>	Encoder Cable (Length in m)	0150-3168

FIND MORE PRODUCT DETAILS IN THE CHAPTER "ACCESSORIES".



Item	Description	Item-No.
<b>MS01-1/D-SSI</b>	Linear Encoder 1µm, A/B (for absolute strip)	0150-2095
<b>MB01-1000-ABS</b>	Magnetic absolute strip for MS01-1/D-SSI (per cm)	0150-2096
<b>EC01-ABS/ENC-12-S</b>	MS01-1/D-SSI Encoder connector straight	0150-3616
<b>KSS01-12-D15/ABS-ENC</b>	Special cable for MS01-1/D-SSI on C1100/C1200/C1400/E1200/E1400 Drives	0150-3652

FIND MORE PRODUCT DETAILS IN THE CHAPTER "ACCESSORIES".